



- (51) **International Patent Classification:**  
A61B 17/072 (2006.01) A61B 17/064 (2006.01)
- (21) **International Application Number:**  
PCT/US2015/048095
- (22) **International Filing Date:**  
2 September 2015 (02.09.2015)
- (25) **Filing Language:** English
- (26) **Publication Language:** English
- (30) **Priority Data:**  
14/479,108 5 September 2014 (05.09.2014) US
- (71) **Applicant:** ETHICON ENDO-SURGERY, INC.  
[US/US]; 4545 Creek Road, Cincinnati, Ohio 45242 (US).
- (72) **Inventors:** SWAYZE, Jeffrey S.; 4545 Creek Road, Cincinnati, Ohio 45242 (US). SHELTON, IV, Frederick E.; 4545 Creek Road, Cincinnati, Ohio 45242 (US). BABER, Daniel L.; 4545 Creek Road, Cincinnati, Ohio 45242 (US). BECKMAN, Andrew T.; 4545 Creek Road, Cincinnati, Ohio 45242 (US).
- (74) **Agents:** PLANTZ, Bernard F. et al.; Johnson & Johnson, One Johnson & Johnson Plaza, New Brunswick, New Jersey 08933 (US).
- (81) **Designated States** (unless otherwise indicated, for every kind of national protection available): AE, AG, AL, AM, AO, AT, AU, AZ, BA, BB, BG, BH, BN, BR, BW, BY, BZ, CA, CH, CL, CN, CO, CR, CU, CZ, DE, DK, DM, DO, DZ, EC, EE, EG, ES, FI, GB, GD, GE, GH, GM, GT,

HN, HR, HU, ID, IL, IN, IR, IS, JP, KE, KG, KN, KP, KR, KZ, LA, LC, LK, LR, LS, LU, LY, MA, MD, ME, MG, MK, MN, MW, MX, MY, MZ, NA, NG, NI, NO, NZ, OM, PA, PE, PG, PH, PL, PT, QA, RO, RS, RU, RW, SA, SC, SD, SE, SG, SK, SL, SM, ST, SV, SY, TH, TJ, TM, TN, TR, TT, TZ, UA, UG, US, UZ, VC, VN, ZA, ZM, ZW.

- (84) **Designated States** (unless otherwise indicated, for every kind of regional protection available): ARIPO (BW, GH, GM, KE, LR, LS, MW, MZ, NA, RW, SD, SL, ST, SZ, TZ, UG, ZM, ZW), Eurasian (AM, AZ, BY, KG, KZ, RU, TJ, TM), European (AL, AT, BE, BG, CH, CY, CZ, DE, DK, EE, ES, FI, FR, GB, GR, HR, HU, IE, IS, IT, LT, LU, LV, MC, MK, MT, NL, NO, PL, PT, RO, RS, SE, SI, SK, SM, TR), OAPI (BF, BJ, CF, CG, CI, CM, GA, GN, GQ, GW, KM, ML, MR, NE, SN, TD, TG).

**Declarations under Rule 4.17:**

- as to the identity of the inventor (Rule 4.17(i))
- as to applicant's entitlement to apply for and be granted a patent (Rule 4.17(ii))
- as to the applicant's entitlement to claim the priority of the earlier application (Rule 4.17(iii))

**Published:**

- with international search report (Art. 21(3))
- before the expiration of the time limit for amending the claims and to be republished in the event of receipt of amendments (Rule 48.2(h))

[Continued on next page]

(54) **Title:** LOCAL DISPLAY OF TISSUE PARAMETER STABILIZATION

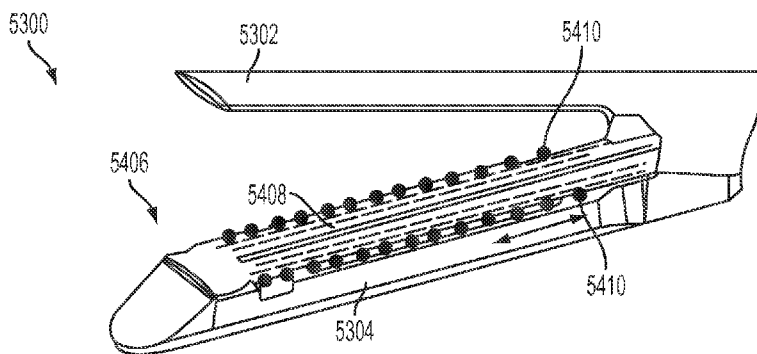


FIG. 97B

(57) **Abstract:** A staple cartridge for use with a surgical stapler and surgical stapling systems are disclosed. The staple cartridge comprises a cartridge body having a tissue-contacting surface. One or more light emitting diodes (LEDs) are positioned at the edges of the tissue-contacting surface. A plurality of staple drivers is located within the cartridge body each supporting a staple.



**(88) Date of publication of the international search report:**  
6 May 2016

INTERNATIONAL SEARCH REPORT

International application No  
PCT/US2015/048095

A. CLASSIFICATION OF SUBJECT MATTER  
INV. A61B17/072 A61B17/064  
ADD.  
According to International Patent Classification (IPC) or to both national classification and IPC

B. FIELDS SEARCHED  
Minimum documentation searched (classification system followed by classification symbols)  
A61B  
Documentation searched other than minimum documentation to the extent that such documents are included in the fields searched

Electronic data base consulted during the international search (name of data base and, where practicable, search terms used)  
EPO-Internal, WPI Data

C. DOCUMENTS CONSIDERED TO BE RELEVANT		
Category*	Citation of document, with indication, where appropriate, of the relevant passages	Relevant to claim No.
X Y	US 2011/024478 A1 (SHELTON IV FREDERICK E [US]) 3 February 2011 (2011-02-03) paragraph [0019] paragraph [0021] - paragraph [0022] figures 1-4	1,5,7, 12,13 4
X	EP 2 165 654 A1 (ETHICON ENDO SURGERY INC [US]) 24 March 2010 (2010-03-24) paragraph [0056] - paragraph [0057] figures 14-17	1,5,7,8, 17
X	CN 201 001 747 Y (SUZHOU TIANCHEN INTERNAT MEDIC [CN]) 9 January 2008 (2008-01-09) the whole document	1
	----- -/--	

Further documents are listed in the continuation of Box C.

See patent family annex.

\* Special categories of cited documents :

<p>"A" document defining the general state of the art which is not considered to be of particular relevance</p> <p>"E" earlier application or patent but published on or after the international filing date</p> <p>"L" document which may throw doubts on priority claim(s) or which is cited to establish the publication date of another citation or other special reason (as specified)</p> <p>"O" document referring to an oral disclosure, use, exhibition or other means</p> <p>"P" document published prior to the international filing date but later than the priority date claimed</p>	<p>"T" later document published after the international filing date or priority date and not in conflict with the application but cited to understand the principle or theory underlying the invention</p> <p>"X" document of particular relevance; the claimed invention cannot be considered novel or cannot be considered to involve an inventive step when the document is taken alone</p> <p>"Y" document of particular relevance; the claimed invention cannot be considered to involve an inventive step when the document is combined with one or more other such documents, such combination being obvious to a person skilled in the art</p> <p>"&amp;" document member of the same patent family</p>
---	---

Date of the actual completion of the international search  16 March 2016	Date of mailing of the international search report  23/03/2016
Name and mailing address of the ISA/ European Patent Office, P.B. 5818 Patentlaan 2 NL - 2280 HV Rijswijk Tel. (+31-70) 340-2040, Fax: (+31-70) 340-3016	Authorized officer  Ebbinghaus, M

## INTERNATIONAL SEARCH REPORT

International application No  
PCT/US2015/048095

C(Continuation). DOCUMENTS CONSIDERED TO BE RELEVANT		
Category*	Citation of document, with indication, where appropriate, of the relevant passages	Relevant to claim No.
Y	CUPER NATASCHA J ET AL: "The use of near-infrared light for safe and effective visualization of subsurface blood vessels to facilitate blood withdrawal in children", MEDICAL ENGINEERING & PHYSICS, BUTTERWORTH-HEINEMANN, GB, vol. 35, no. 4, 27 July 2012 (2012-07-27), pages 433-440, XP028544531, ISSN: 1350-4533, DOI: 10.1016/J.MEDENGPY.2012.06.007 the whole document	4
X	US 2009/114701 A1 (ZEMLOK MICHAEL [US] ET AL) 7 May 2009 (2009-05-07)	17
A	paragraph [0026] - paragraph [0027] paragraph [0035] - paragraph [0046] figures 1,1A,5-10	1-3,5, 18,19
X	EP 2 387 943 A2 (TYCO HEALTHCARE [US]) 23 November 2011 (2011-11-23)	17
Y	paragraph [0026] paragraph [0040] - paragraph [0042] paragraph [0044] figures 1,4,6	20
Y	US 2013/131476 A1 (SIU STANLEY C [US] ET AL) 23 May 2013 (2013-05-23) paragraph [0180]	20
A	US 2011/155781 A1 (SWENSGARD BRETT E [US] ET AL) 30 June 2011 (2011-06-30) paragraph [0039] figure 9	12,13
A	US 5 383 880 A (HOOVEN MICHAEL D [US]) 24 January 1995 (1995-01-24) column 8, line 14 - line 49 figure 17	17,20

# INTERNATIONAL SEARCH REPORT

International application No.  
PCT/US2015/048095

## Box No. II Observations where certain claims were found unsearchable (Continuation of item 2 of first sheet)

This international search report has not been established in respect of certain claims under Article 17(2)(a) for the following reasons:

1.  Claims Nos.: **6, 9-11, 14-16(completely); 7, 8(partially)**  
because they relate to subject matter not required to be searched by this Authority, namely:  
**see FURTHER INFORMATION sheet PCT/ISA/210**
  
2.  Claims Nos.: **1-5, 7, 8, 12, 13, 17-20(all partially)**  
because they relate to parts of the international application that do not comply with the prescribed requirements to such an extent that no meaningful international search can be carried out, specifically:  
**see FURTHER INFORMATION sheet PCT/ISA/210**
  
3.  Claims Nos.:  
because they are dependent claims and are not drafted in accordance with the second and third sentences of Rule 6.4(a).

## Box No. III Observations where unity of invention is lacking (Continuation of item 3 of first sheet)

This International Searching Authority found multiple inventions in this international application, as follows:

**see additional sheet**

1.  As all required additional search fees were timely paid by the applicant, this international search report covers all searchable claims.
  
2.  As all searchable claims could be searched without effort justifying an additional fees, this Authority did not invite payment of additional fees.
  
3.  As only some of the required additional search fees were timely paid by the applicant, this international search report covers only those claims for which fees were paid, specifically claims Nos.:
  
4.  No required additional search fees were timely paid by the applicant. Consequently, this international search report is restricted to the invention first mentioned in the claims; it is covered by claims Nos.:

### Remark on Protest

- The additional search fees were accompanied by the applicant's protest and, where applicable, the payment of a protest fee.
- The additional search fees were accompanied by the applicant's protest but the applicable protest fee was not paid within the time limit specified in the invitation.
- No protest accompanied the payment of additional search fees.

**FURTHER INFORMATION CONTINUED FROM PCT/ISA/ 210**

This International Searching Authority found multiple (groups of) inventions in this international application, as follows:

1. claims: 1-16

Staple cartridge with LED positioned at the edge or surgical stapling system comprising cartridge with LED positioned to be visible when the anvil is in the closed position

---

2. claims: 17-20

Surgical stapling system comprising a cartridge with an LED positioned to provide illumination to the area between the anvil and the staple cartridge when the anvil is in a closed position

---

**FURTHER INFORMATION CONTINUED FROM PCT/ISA/ 210**

Continuation of Box II.1

Claims Nos.: 6, 9-11, 14-16(completely); 7, 8(partially)

Claims 6-11 and 14-16 relate to subject-matter considered by this Authority to be covered by the provisions of Rule 39.1(v) PCT as they relate to presentation of information by comprising features which are characterised solely by the content of the information (see also PCT Guideline 9.11). Therefore, claims 6, 9-11 and 14-16 have not been searched. Claims 7 and 8 have been searched in as far as their technical features were concerned, i.e. the visibility of the LEDs, while disregarding the non-technical features of claim 6 on which these claims depend.

-----

Continuation of Box II.2

Claims Nos.: 1-5, 7, 8, 12, 13, 17-20(all partially)

An incomplete search has been carried out. The search covers only those embodiments of the claims that were found in the passages and figures indicated by the applicant in reply to the invitation to provide informal clarification pursuant to PCT Guideline 9.34.

It is noted that the applicant has indicated these passages and figures as being "exemplary citations [which] should enable the Examiner to discover further relevant portions of the description and/or figures of the Subject Application". However, such a formal, non-limiting statement is not suitable to overcome the deficiency explained to the applicant in the invitation to provide informal clarification pursuant to PCT Guideline 9.34.

As stipulated under PCT Guideline 9.34, the European Patent Office has therefore drawn up a partial search report that is exclusively directed to the subject matter found in the passages that were indicated as being "exemplary citations".

The applicant's attention is drawn to the fact that claims relating to inventions in respect of which no international search report has been established need not be the subject of an international preliminary examination (Rule 66.1(e) PCT). The applicant is advised that the EPO policy when acting as an International Preliminary Examining Authority is normally not to carry out a preliminary examination on matter which has not been searched. This is the case irrespective of whether or not the claims are amended following receipt of the search report or during any Chapter II procedure. If the application proceeds into the regional phase before the EPO, the applicant is reminded that a search may be carried out during examination before the EPO (see EPO Guidelines C-IV, 7.2), should the problems which led to the Article 17(2) declaration be overcome.

## INTERNATIONAL SEARCH REPORT

Information on patent family members

International application No

PCT/US2015/048095

Patent document cited in search report	Publication date	Patent family member(s)	Publication date
US 2011024478	A1	03-02-2011	AU 2010210796 A1 25-08-2011
			BR PI1008186 A2 01-03-2016
			CA 2751665 A1 12-08-2010
			CN 102368957 A 07-03-2012
			EP 2393431 A1 14-12-2011
			JP 5726761 B2 03-06-2015
			JP 2012517288 A 02-08-2012
			RU 2011136854 A 20-03-2013
			US 2011024478 A1 03-02-2011
			WO 2010090941 A1 12-08-2010
EP 2165654	A1	24-03-2010	BR PI0904474 A2 21-09-2010
			CA 2679226 A1 18-03-2010
			CN 101683279 A 31-03-2010
			EP 2165654 A1 24-03-2010
			JP 5465498 B2 09-04-2014
			JP 2010069304 A 02-04-2010
			RU 2009134906 A 27-03-2011
			US 2010065605 A1 18-03-2010
CN 201001747	Y	09-01-2008	NONE
US 2009114701	A1	07-05-2009	AU 2008243121 A1 21-05-2009
			CA 2642796 A1 06-05-2009
			CA 2918901 A1 06-05-2009
			CN 101427935 A 13-05-2009
			CN 102525585 A 04-07-2012
			CN 104013448 A 03-09-2014
			EP 2057948 A2 13-05-2009
			EP 2476379 A1 18-07-2012
			JP 2009160379 A 23-07-2009
			JP 2014195657 A 16-10-2014
			JP 2015186584 A 29-10-2015
			US 2009114701 A1 07-05-2009
EP 2387943	A2	23-11-2011	CA 2738330 A1 17-11-2011
			EP 2387943 A2 23-11-2011
			US 2011282170 A1 17-11-2011
US 2013131476	A1	23-05-2013	US 2013131476 A1 23-05-2013
			US 2013131477 A1 23-05-2013
			WO 2013074694 A1 23-05-2013
US 2011155781	A1	30-06-2011	AU 2010333868 A1 31-05-2012
			CA 2784307 A1 30-06-2011
			CN 102665575 A 12-09-2012
			EP 2515769 A1 31-10-2012
			JP 5770206 B2 26-08-2015
			JP 2013515565 A 09-05-2013
			RU 2012131566 A 27-01-2014
			US 2011155781 A1 30-06-2011
			US 2015038986 A1 05-02-2015
			WO 2011078959 A1 30-06-2011
US 5383880	A	24-01-1995	AT 192639 T 15-05-2000
			AU 670051 B2 04-07-1996
			CA 2087221 A1 18-07-1993
			DE 69328576 D1 15-06-2000



# INTERNATIONAL SEARCH REPORT

Information on patent family members

International application No

PCT/US2015/048095

Patent document cited in search report	Publication date	Patent family member(s)	Publication date
		DE 69328576 T2	04-01-2001
		DK 0552050 T3	07-08-2000
		EP 0552050 A2	21-07-1993
		ES 2146216 T3	01-08-2000
		GR 1001562 B	29-04-1994
		JP H067357 A	18-01-1994
		PT 552050 E	31-08-2000
		US 5383880 A	24-01-1995
		US 5518163 A	21-05-1996
		US 5518164 A	21-05-1996
		US 5667517 A	16-09-1997

---