



US00D987366S

(12) **United States Design Patent**
Mou

(10) **Patent No.:** **US D987,366 S**

(45) **Date of Patent:** **** May 30, 2023**

(54) **HANDLE STRAW LID**
(71) Applicant: **Linwei Mou**, Changning County (CN)
(72) Inventor: **Linwei Mou**, Changning County (CN)
(**) Term: **15 Years**
(21) Appl. No.: **29/763,610**

D948,928 S * 4/2022 Chen D7/392.1
D955,810 S * 6/2022 Ni D7/392.1
D966,791 S * 10/2022 Chen D7/392.1
D969,559 S * 11/2022 Lown D7/511

(Continued)

FOREIGN PATENT DOCUMENTS

CA 205320 * 10/2022
CN 307209054 * 3/2022

(Continued)

OTHER PUBLICATIONS

KleanKanteen [online] URL: <https://www.kleankanteen.com/products/tkwide-cafe-cap> (site visited: Dec. 15, 2022) (Year: 2019).*

(Continued)

Primary Examiner — Jae Liang
Assistant Examiner — Tia Ruth-Renee Polidori
(74) *Attorney, Agent, or Firm* — Xiaofang Zhong

(57) **CLAIM**

The ornamental design for a handle straw lid, as shown and described.

DESCRIPTION

FIG. 1 is a perspective view of a handle straw lid showing my new design;
FIG. 2 is a front elevational view thereof;
FIG. 3 is a back elevational view thereof;
FIG. 4 is a left-side elevational view thereof;
FIG. 5 is a right-side elevational view thereof;
FIG. 6 is a top plan view thereof;
FIG. 7 is a bottom plan view thereof; and,
FIG. 8 is another perspective view thereof, shown with the handle lifted in a configuration of use for clarity of disclosure.
The portions of the hand straw lid shown in broken lines form no part of the claimed design.

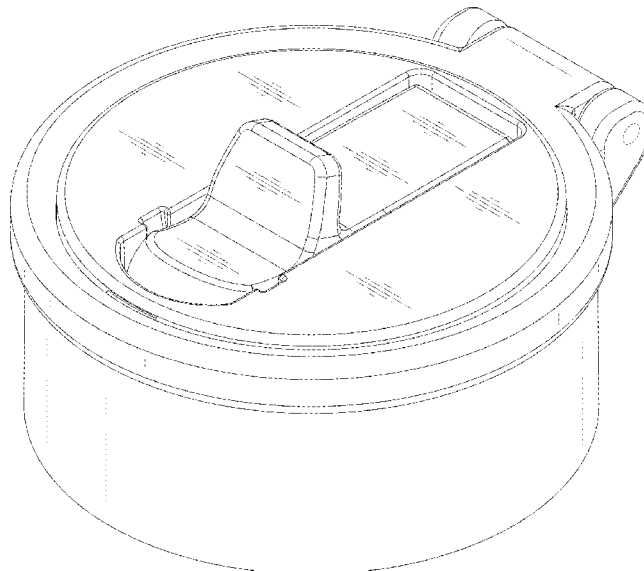
1 Claim, 8 Drawing Sheets

(22) Filed: **Dec. 23, 2020**
(51) **LOC (14) Cl.** **07-99**
(52) **U.S. Cl.**
USPC **D7/392; D7/392.1**
(58) **Field of Classification Search**
USPC D7/507, 509, 510, 511, 513, 531, 532, D7/523, 533, 392, 392.1, 396.1, 396.2, D7/300.1, 608, 900, 536, 535, 548, 300, D7/312, 314, 316, 318, 319, 320, 321, D7/322, 300.2, 619.1, 622, 635; D3/202; D9/716, 500, 531, 516, 549, 436, 440, D9/447; D30/129, 130, 131, 162
CPC A47G 19/22; A47G 19/2288; A47G 19/2205; A47J 41/0077; A47J 41/0088
See application file for complete search history.

(56) **References Cited**

U.S. PATENT DOCUMENTS

D720,218 S * 12/2014 Hutson D9/449
D838,590 S * 1/2019 Lee D7/396.2
D864,717 S * 10/2019 Kim D9/446
D883,735 S * 5/2020 Adams, Jr. D7/392.1
D893,245 S * 8/2020 Zhang D7/392.1
D896,573 S * 9/2020 Wu D7/392.1
D906,042 S * 12/2020 Chen D9/450
D917,953 S * 5/2021 Yao D9/516
D923,395 S * 6/2021 Xie D7/392.1
D934,623 S * 11/2021 Wang D7/392.1
D943,419 S * 2/2022 Zhang D9/449
D945,829 S * 3/2022 Yue D7/510
D947,598 S * 4/2022 Wang D7/392.1



(56)

References Cited

U.S. PATENT DOCUMENTS

D973,426 S * 12/2022 Kutlug D7/392.1
D973,429 S * 12/2022 Inyang D7/392.1

FOREIGN PATENT DOCUMENTS

CN 307736519 * 12/2022
CN 307773516 * 1/2023
JP D1648405 * 12/2019
KR 3009412290001 * 1/2018
KR 301014907.0000 * 7/2019

OTHER PUBLICATIONS

BottleBottle [online] URL: <https://bottlebottle.com/pages/3in1-magic-bottle> (site visited: Dec. 15, 2022) (Year: 2020).*

CVS [online] URL: <https://www.cvs.com/shop/contigo-water-24-oz-bottle-jade-prodid-1740031> (site visited: Dec. 15, 2022) (Year: 2020).*

Zak! [online] URL: <https://www.zak.com/product/flex-bottle-2-piece-set-18-oz-camo-dinosaurs/> (site visited: Dec. 15, 2022) (Year: 2020).*

REI [online] URL: <https://www.rei.com/product/153475/hydro-flask-wide-mouth-flex-straw-lid> (site visited: Dec. 15, 2022) (Year: 2022).*

Mizu [online] URL: <https://www.mizulife.com/products/straw-lid> (site visited: Jan. 26, 2023) (Year: 2023).*

* cited by examiner

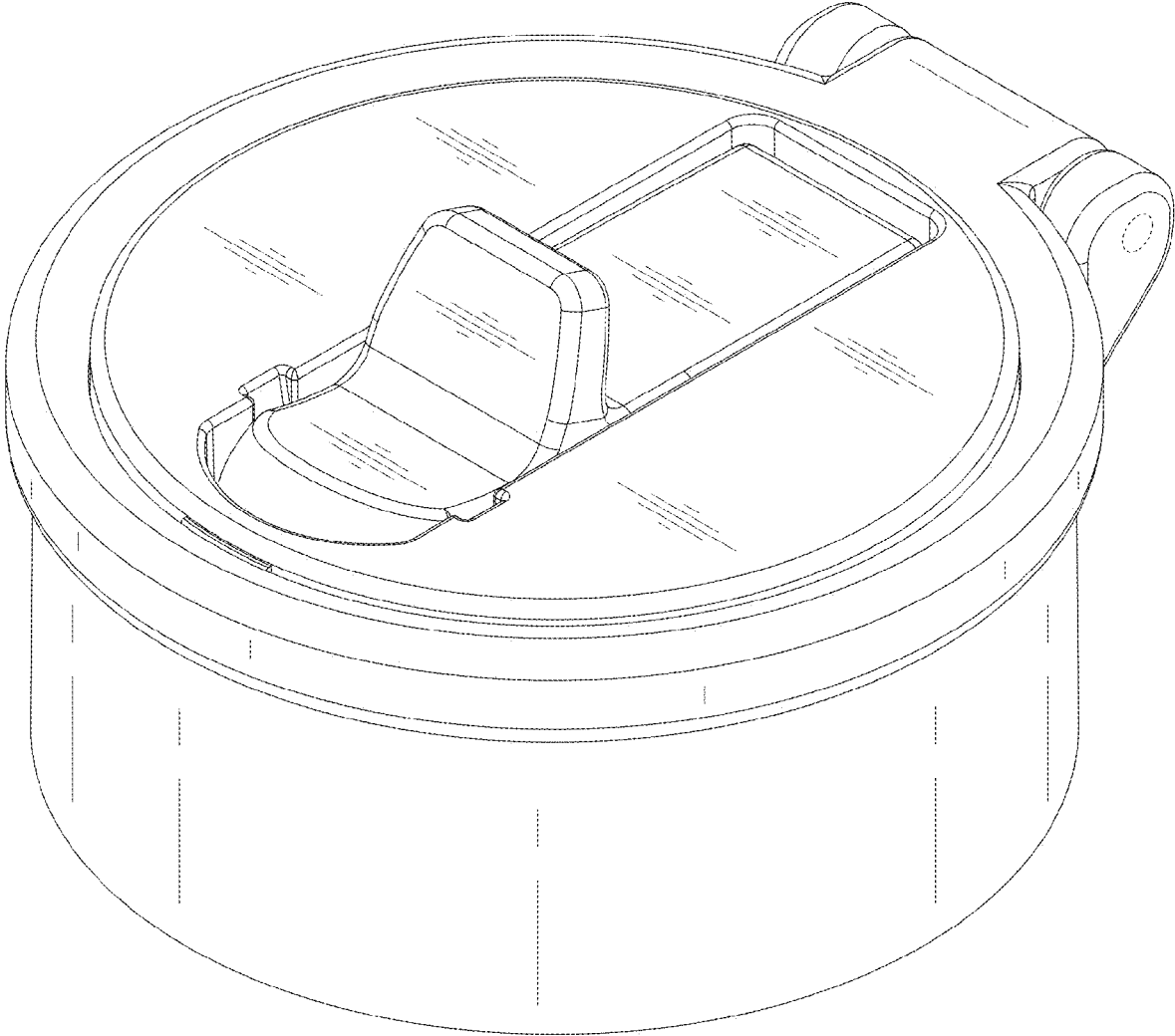


FIG. 1

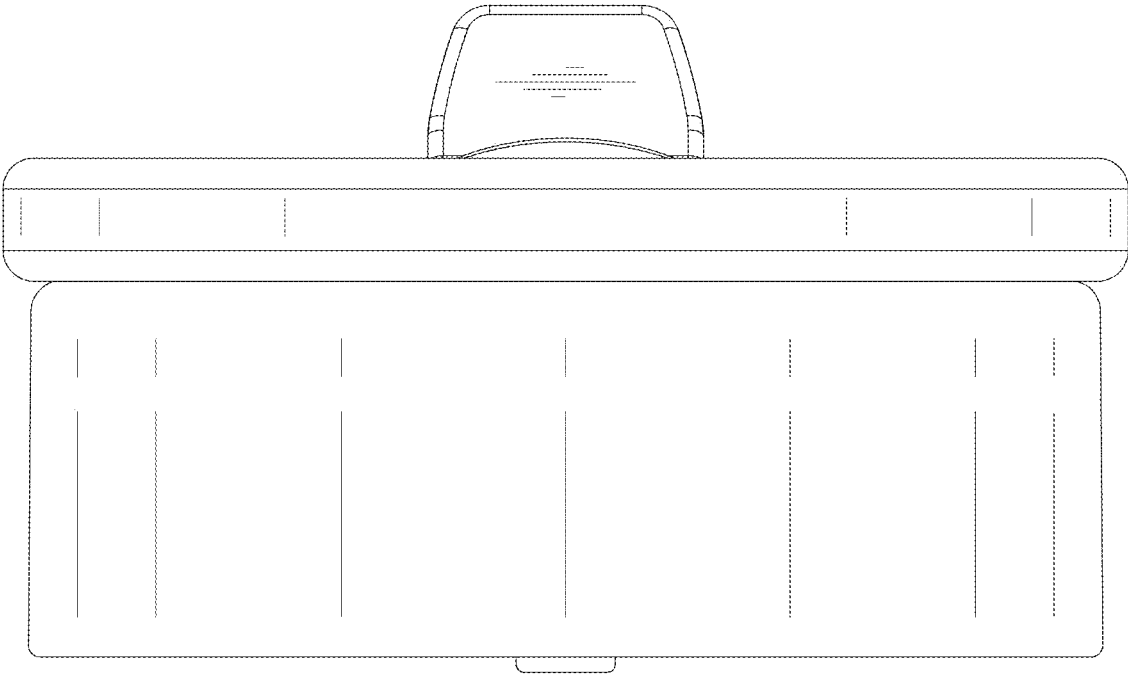


FIG. 2

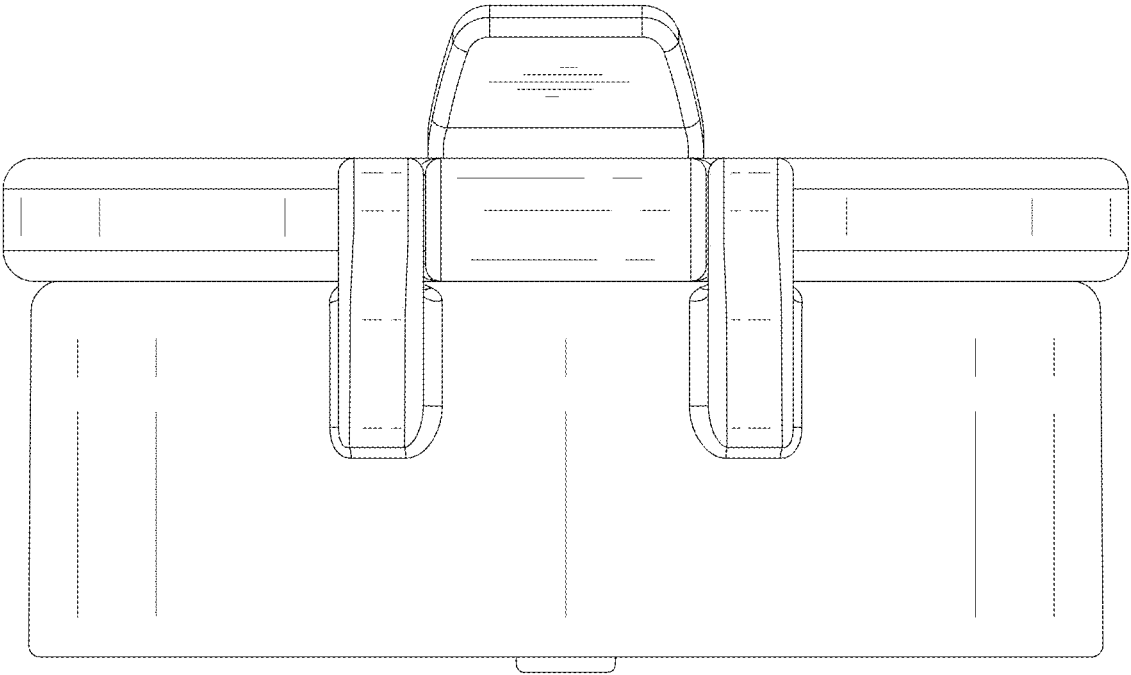


FIG. 3

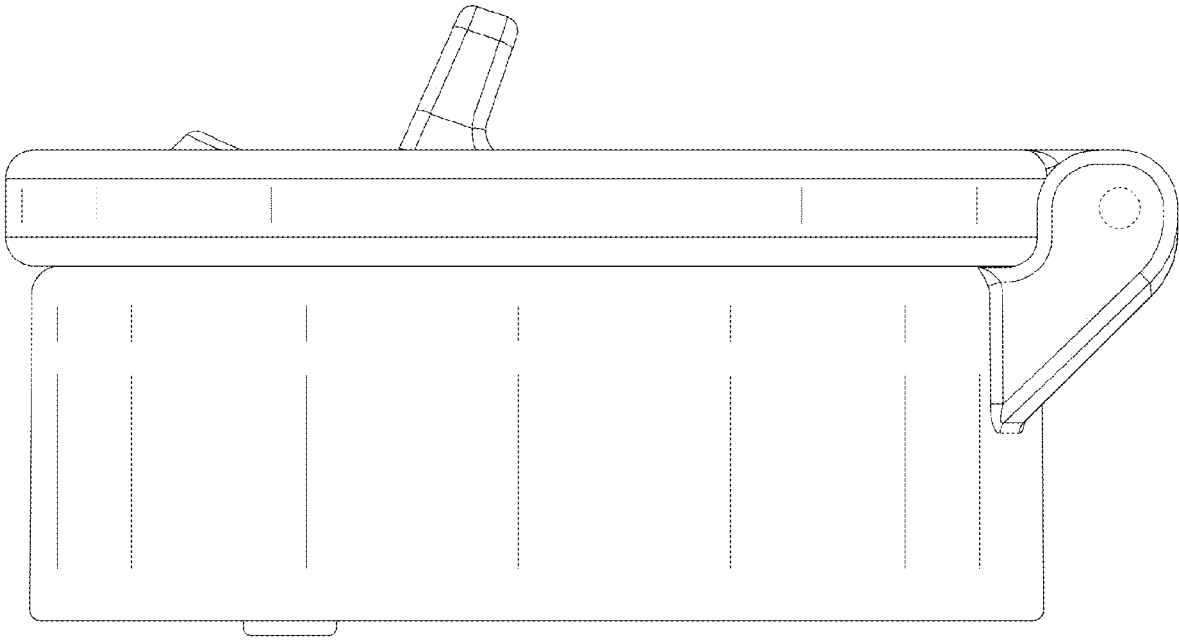


FIG. 4

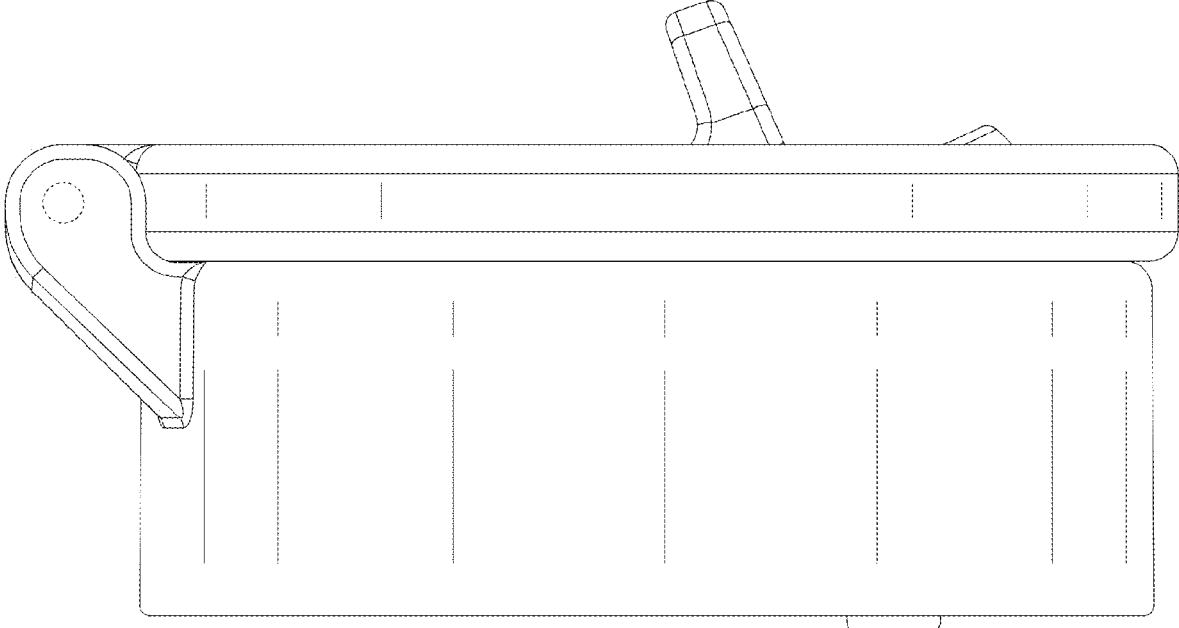


FIG. 5

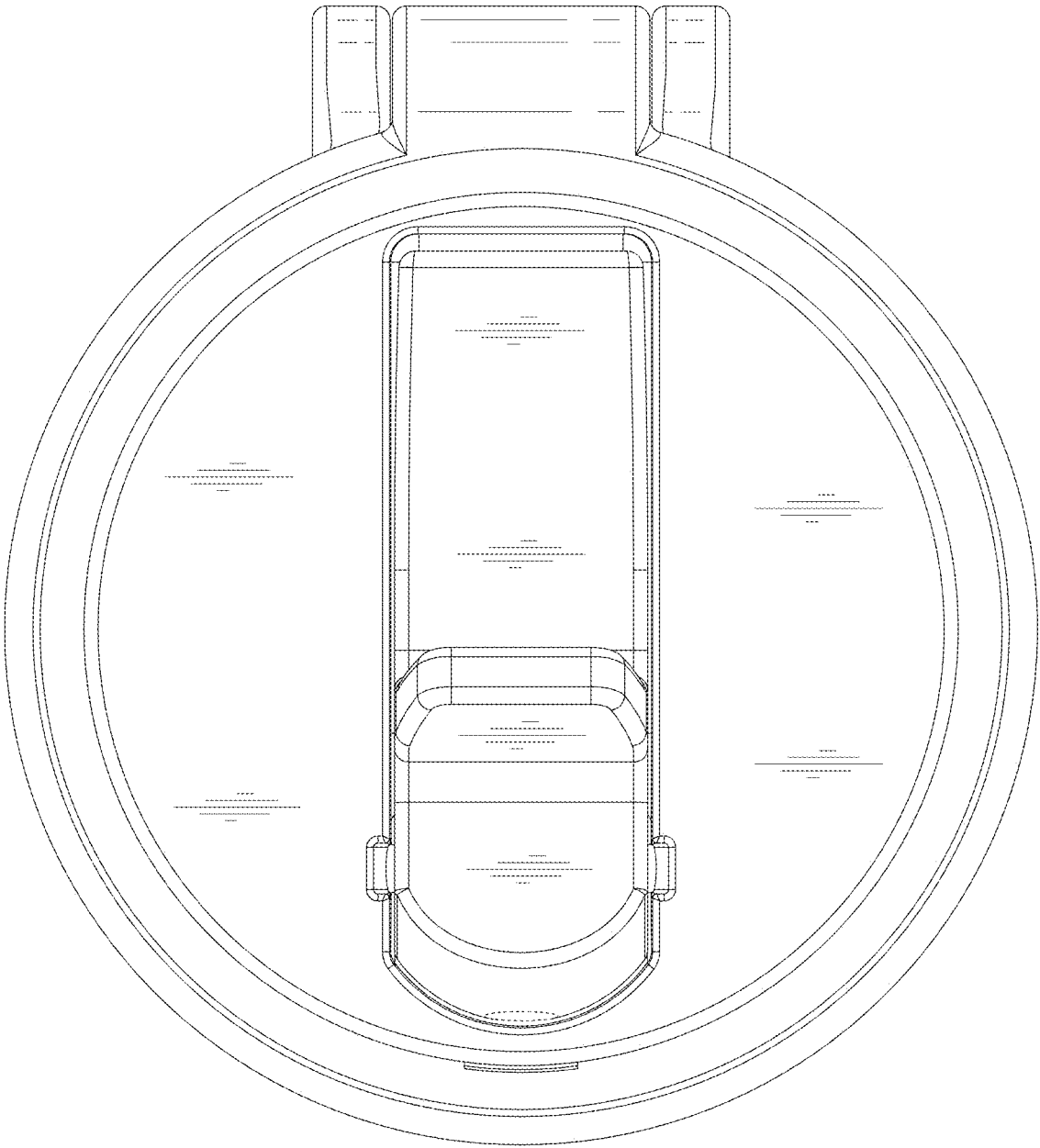


FIG. 6

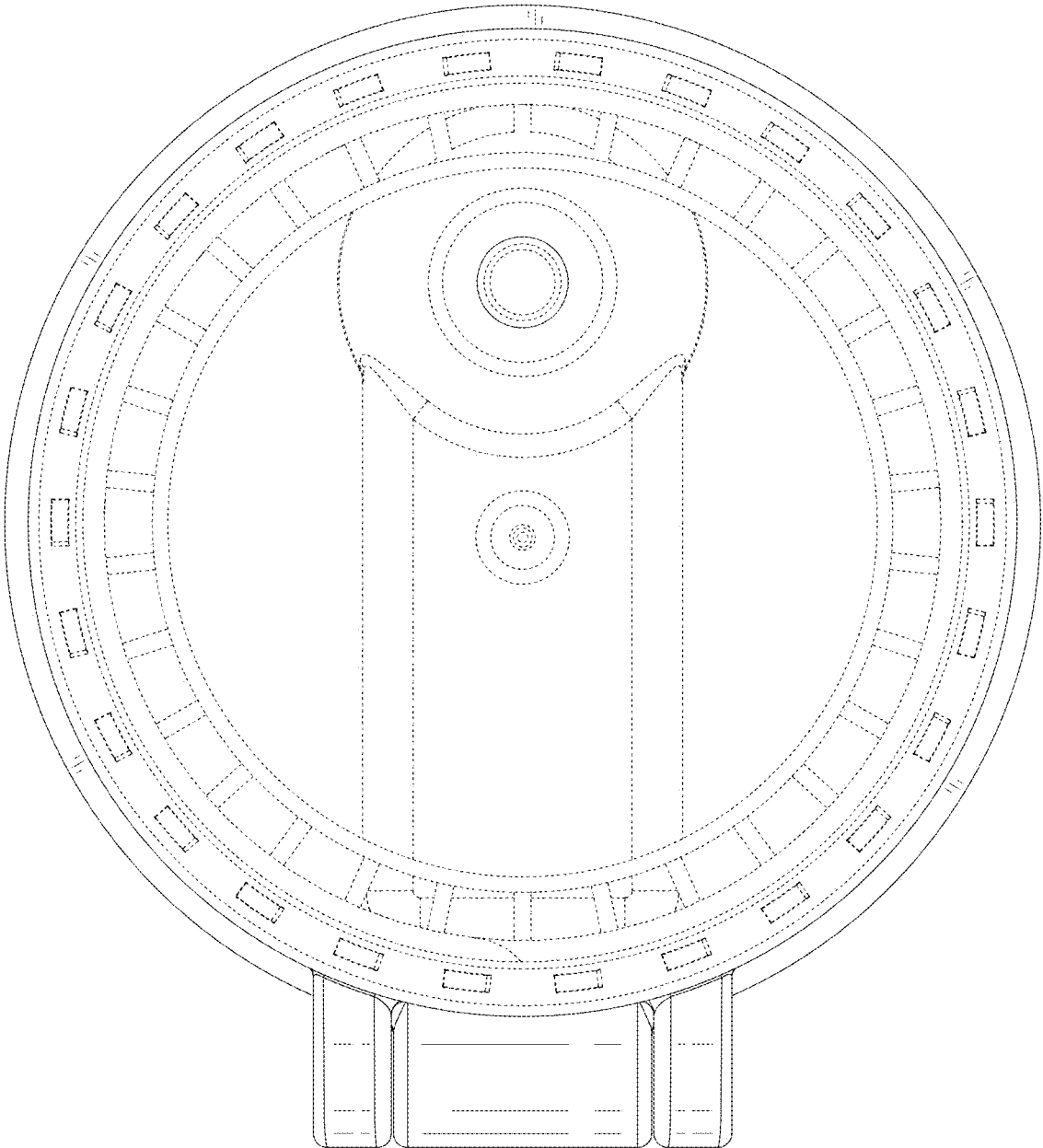


FIG. 7

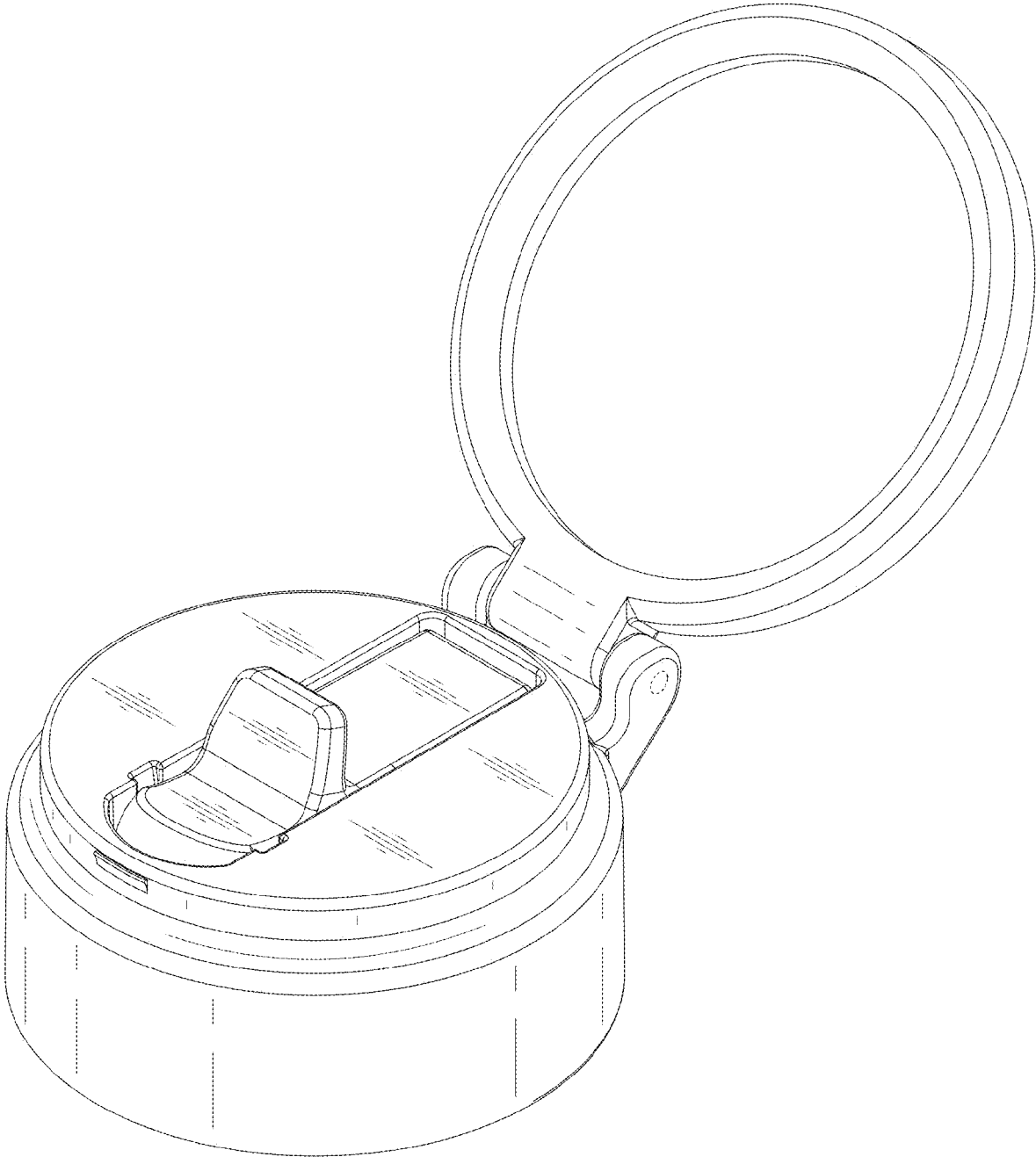


FIG. 8