



US00D738159S

(12) **United States Design Patent**
Cheng

(10) **Patent No.:** **US D738,159 S**

(45) **Date of Patent:** **** Sep. 8, 2015**

(54) **COOKWARE VESSEL**

(71) Applicant: **Meyer Intellectual Properties Ltd.,**
Kowloon (HK)

(72) Inventor: **Stanley Kin Sui Cheng,** Hillsborough,
CA (US)

(73) Assignee: **Meyer Intellectual Properties Limited**
(VG)

(**) Term: **14 Years**

(21) Appl. No.: **29/496,634**

(22) Filed: **Jul. 15, 2014**

Related U.S. Application Data

(62) Division of application No. 29/445,011, filed on Feb. 6, 2013, now Pat. No. Des. 709,317.

(51) **LOC (10) Cl.** **07-02**

(52) **U.S. Cl.**
USPC **D7/354**

(58) **Field of Classification Search**
USPC D7/323, 354–363, 391, 393–396, 402,
D7/409, 538, 543, 545, 584–587, 602,
D7/629; D9/429, 500, 503; D30/129
CPC A47G 19/12; A47J 27/00; A47J 27/002;
A47J 27/08; A47J 27/21; A47J 27/58; A47J
36/025; A47J 36/06; A47J 36/12; A47J 37/00;
A47J 37/10; A47J 37/101; A47J 37/103;
A47J 37/12; A47J 37/1204; A47J 45/061;
A47J 45/071; A47J 45/08; H05B 6/12
See application file for complete search history.

(56) **References Cited**

U.S. PATENT DOCUMENTS

D239,999 S * 5/1976 Christain D7/584
D414,375 S * 9/1999 Diulus D7/354
D482,562 S * 11/2003 Demers D7/354
D511,074 S * 11/2005 Claypool et al. D7/602

D542,591 S * 5/2007 Carlson D7/354
D575,992 S * 9/2008 LeGreve et al. D7/586
D579,716 S * 11/2008 Pawson et al. D7/361
D612,732 S * 3/2010 Takata et al. D9/500
D625,149 S * 10/2010 Stamper D7/538
D645,705 S * 9/2011 Shamoon D7/543
D645,748 S * 9/2011 Sharma et al. D9/503
D646,925 S * 10/2011 Okajima et al. D7/402
D649,054 S * 11/2011 Sharma et al. D9/500
D652,671 S * 1/2012 Cheng D7/354
D657,249 S * 4/2012 Bakic D9/503
D665,627 S * 8/2012 De Winter D7/545
D666,461 S * 9/2012 Siegel D7/629
D670,042 S * 10/2012 Anderson D30/129
D689,730 S * 9/2013 Goto et al. D7/354
D699,078 S * 2/2014 Katterheinrich et al. D7/587
D709,317 S * 7/2014 Cheng D7/354
D710,686 S * 8/2014 Gowens D9/429
D711,677 S * 8/2014 McPherson D7/354
D715,091 S * 10/2014 Thun et al. D7/354
D715,092 S * 10/2014 Thun et al. D7/354
D715,588 S * 10/2014 Thun et al. D7/354

* cited by examiner

Primary Examiner — Ricky Pham

(74) *Attorney, Agent, or Firm* — Edward S. Sherman

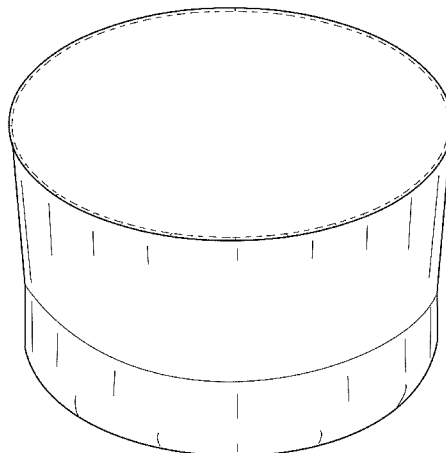
(57) **CLAIM**

The ornamental design for a cookware vessel, as shown and described.

DESCRIPTION

FIG. 1 is a perspective view of the “cookware vessel”, showing my new design;
FIG. 2 is an exterior side elevation view thereof; all side elevations views being identical as the “cookware vessel” is circular;
FIG. 3 is a cross-sectional view taken through line 3-3 of FIG. 4;
FIG. 4 is a top plan view thereof; and,
FIG. 5 is a bottom plan view thereof.
The broken lines shown in the drawings are for illustrative purposes only and form no part of the claimed design.

1 Claim, 5 Drawing Sheets



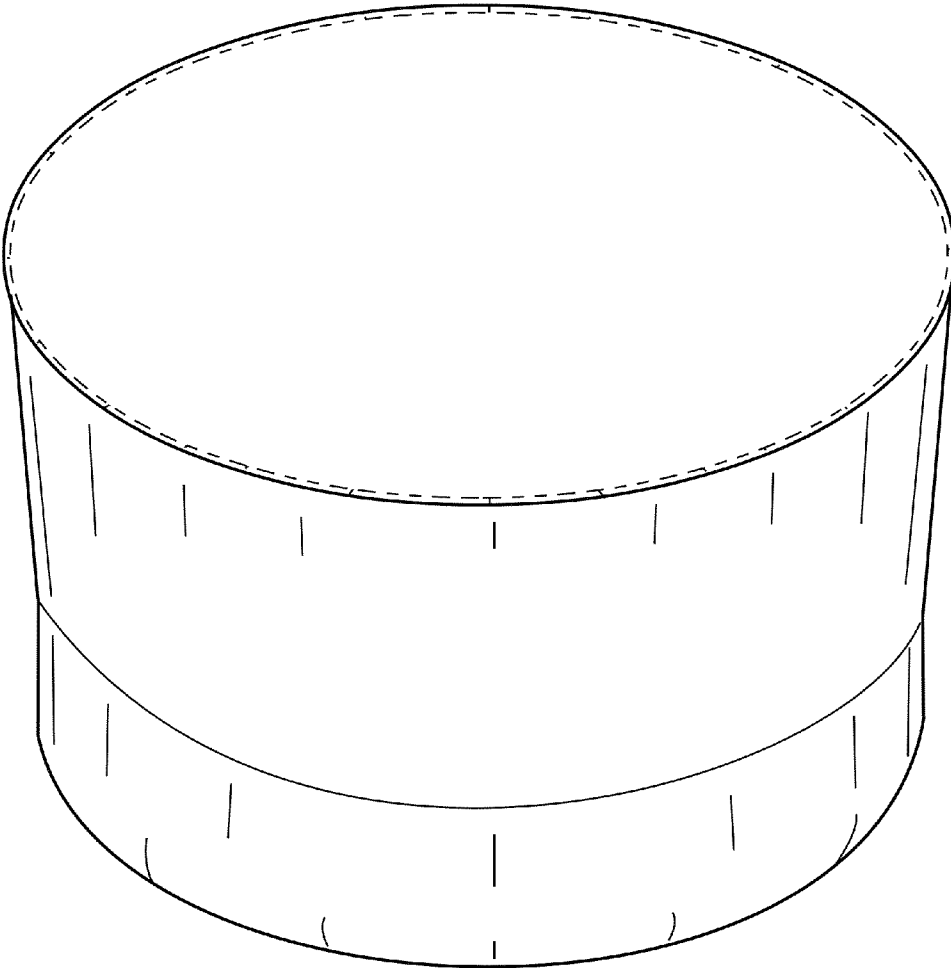


FIG. 1

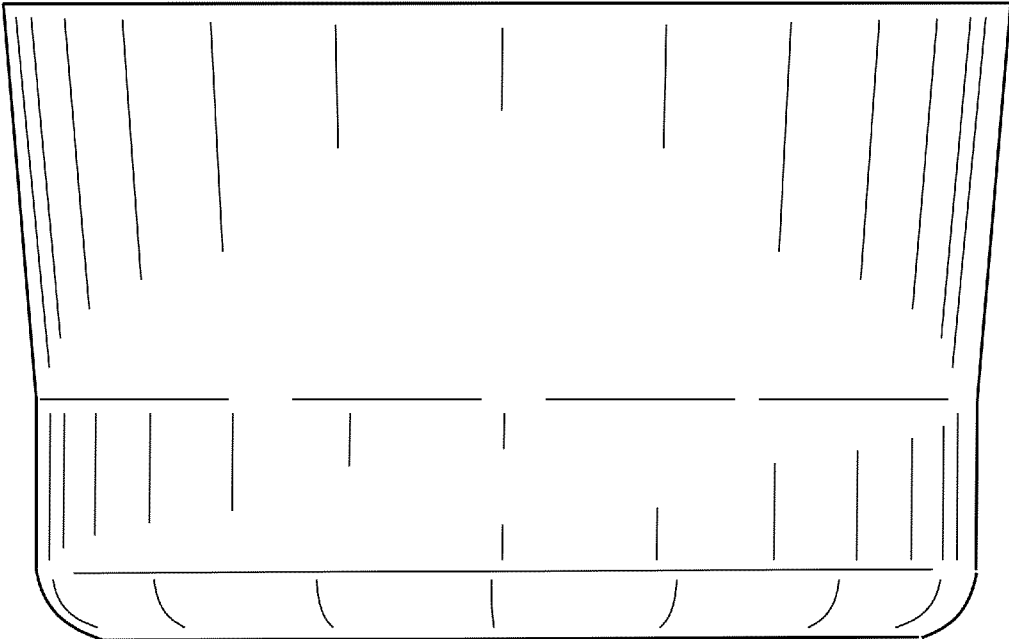


FIG. 2



FIG. 3

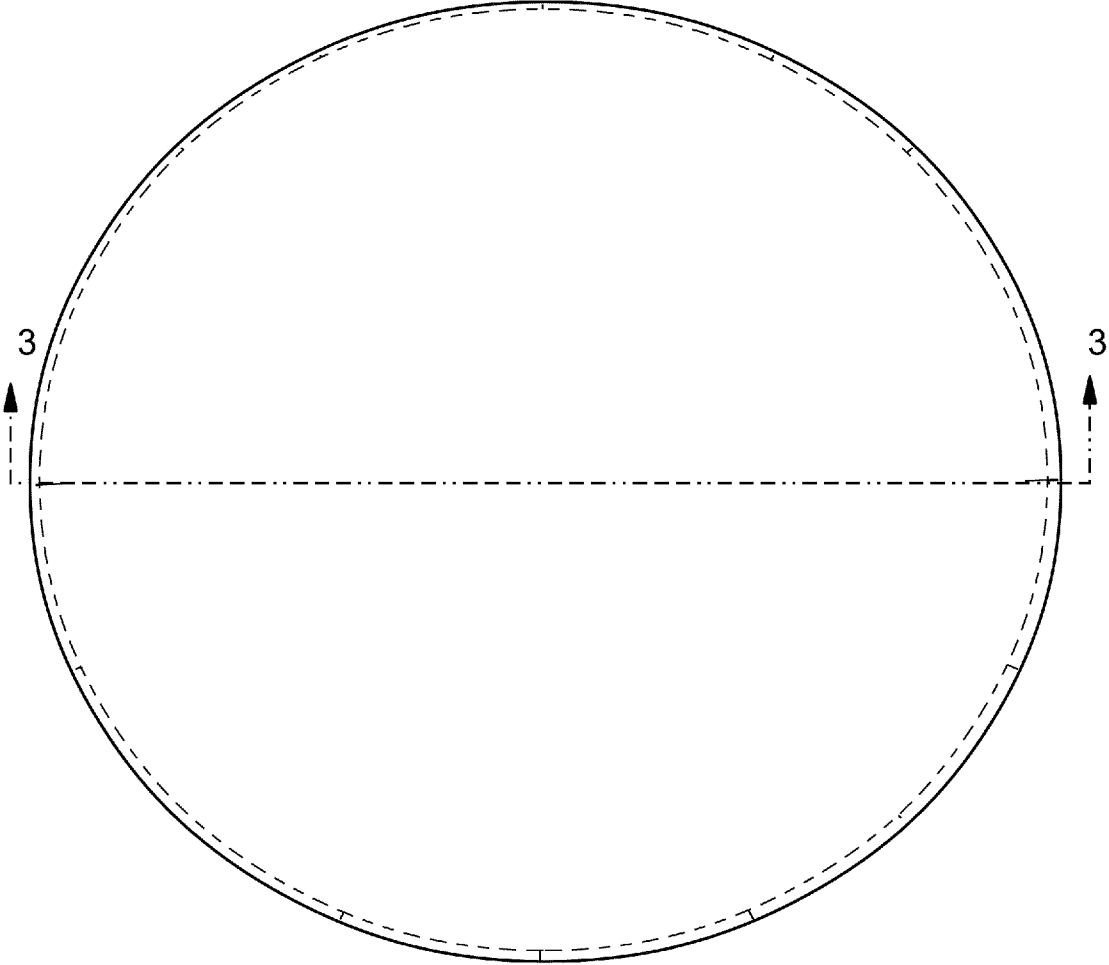


FIG. 4



FIG. 5