



US00D397346S

United States Patent [19]

[11] Patent Number: Des. 397,346

Fan et al.

[45] Date of Patent: **Aug. 25, 1998

[54] **WAFER-BOAT POSITIONING MEMBER OF WAFER CONTAINER**

5,586,585 12/1996 Bonora et al. 414/217 X
5,630,690 5/1997 Salzman 414/217

[75] Inventors: **Horng-Kuang Fan; Gwo-Jou Huang,**
both of Hsinchu, Taiwan

Primary Examiner—Antoine Duval Davis
Attorney, Agent, or Firm—W. Wayne Liauh

[73] Assignee: **Industrial Technology Research Institute,** Hsinchu, Taiwan

[57] **CLAIM**

[**] Term: **14 Years**

The ornamental design for “a wafer-boat positioning member of wafer container”, as shown and described.

[21] Appl. No.: **73,699**

DESCRIPTION

[22] Filed: **Jul. 16, 1997**

FIG. 1 is a perspective view of “a wafer-boat positioning member of wafer container” showing our design;

[51] LOC (6) Cl. **15-09**

FIG. 2 is a front view thereof;

[52] U.S. Cl. **D15/144.1**

FIG. 3 is a rear plan view thereof;

[58] Field of Search **D15/144, 144.1,**
D15/144.2; 414/217, 416, 716, 786, 935-941;
118/719, 620; 209/573

FIG. 4 is a right side view thereof;

FIG. 5 is a left side view thereof;

FIG. 6 is a top side view thereof; and,

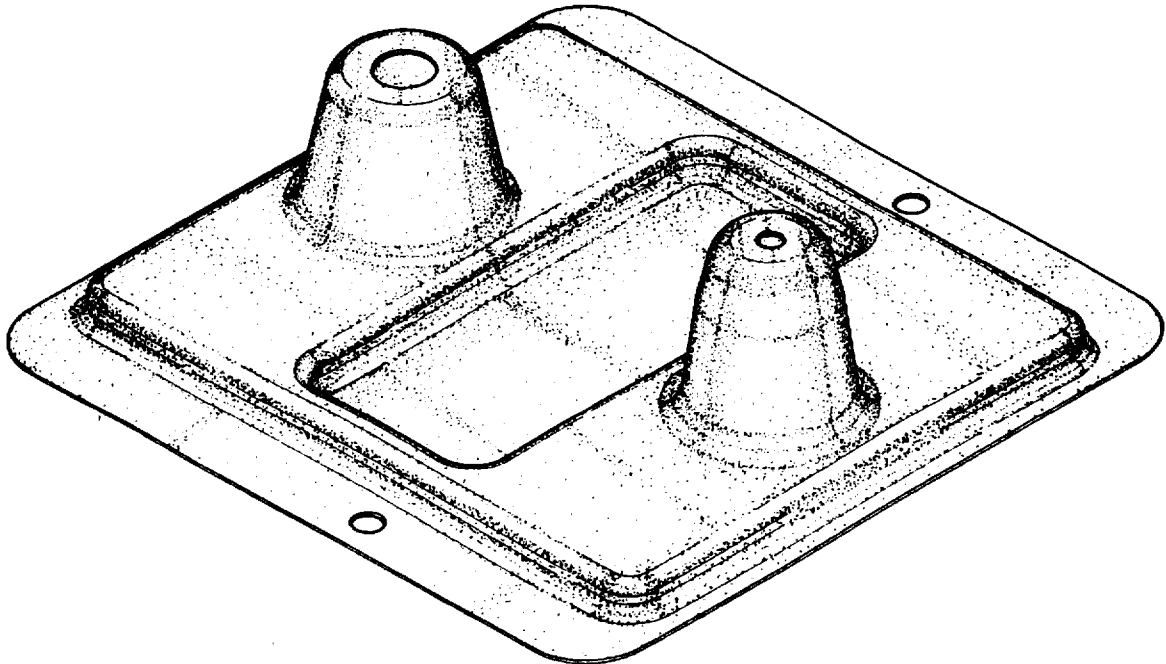
FIG. 7 is a bottom side view thereof.

[56] **References Cited**

U.S. PATENT DOCUMENTS

5,538,390 7/1996 Salzman 414/786

1 Claim, 5 Drawing Sheets



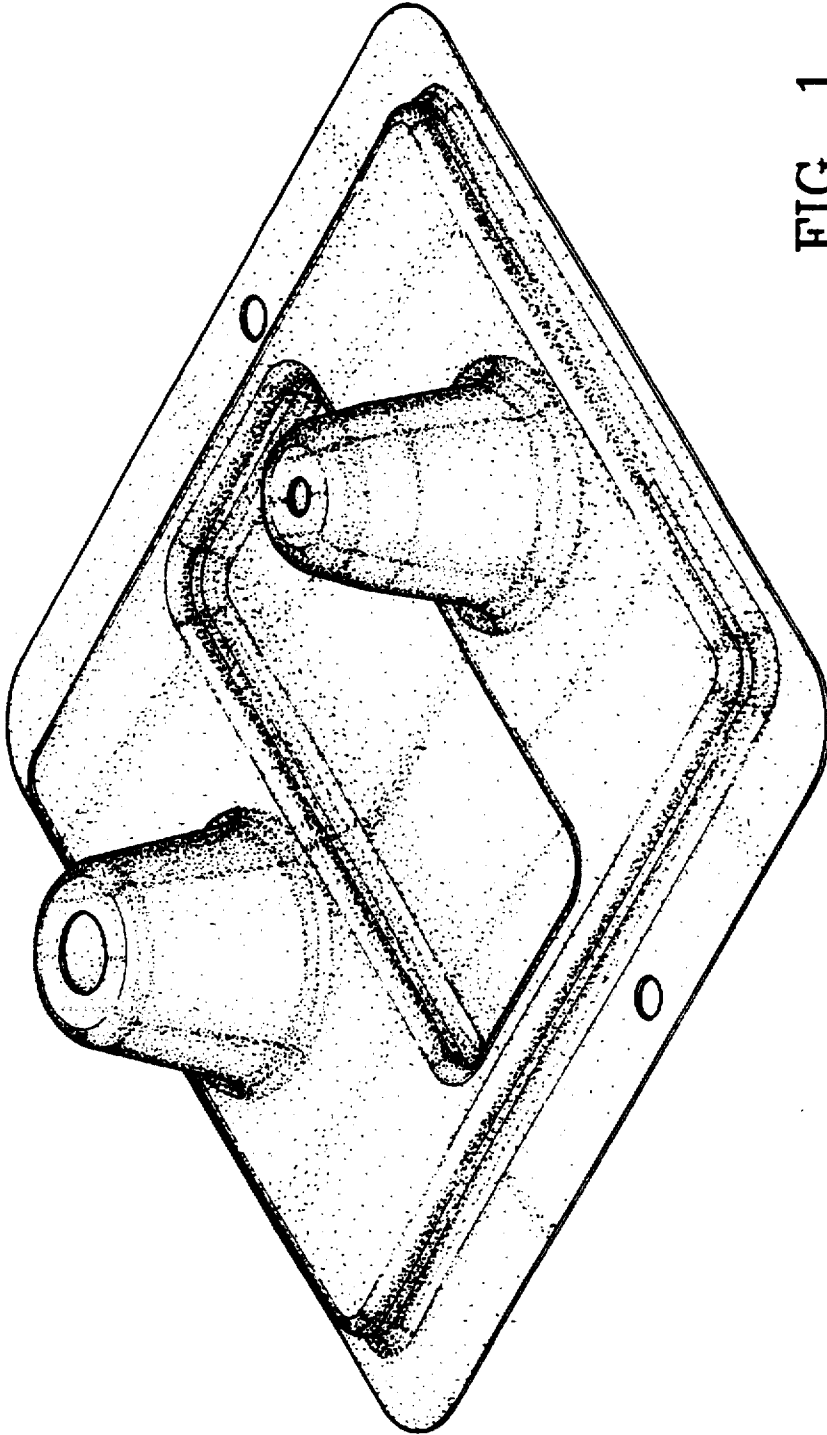


FIG. 1

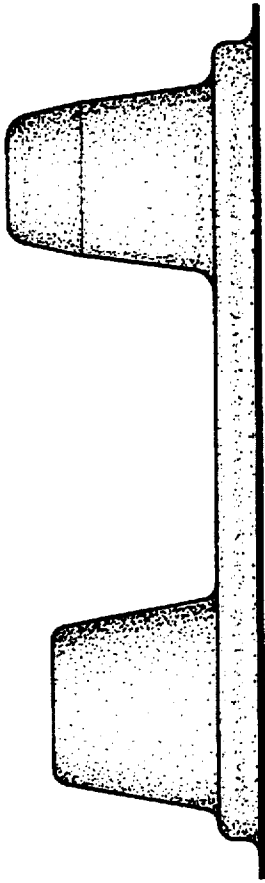


FIG. 2

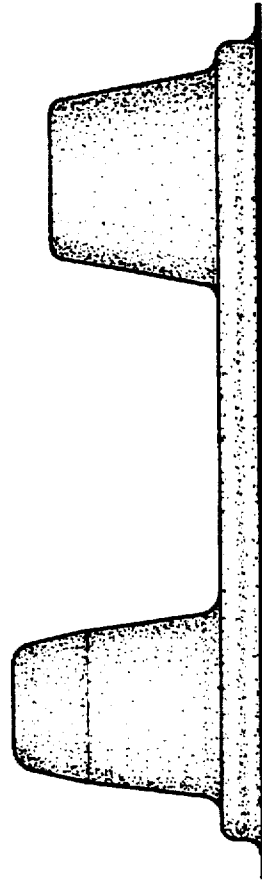


FIG. 3

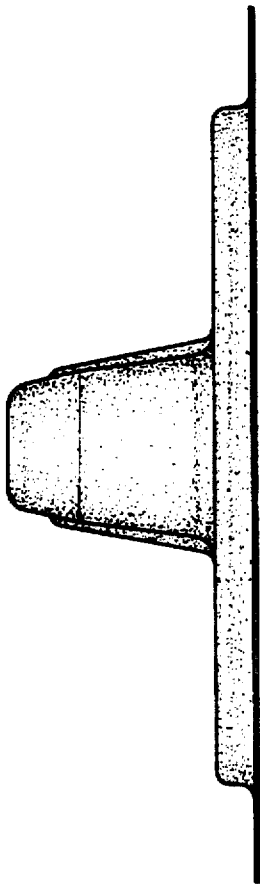


FIG. 4

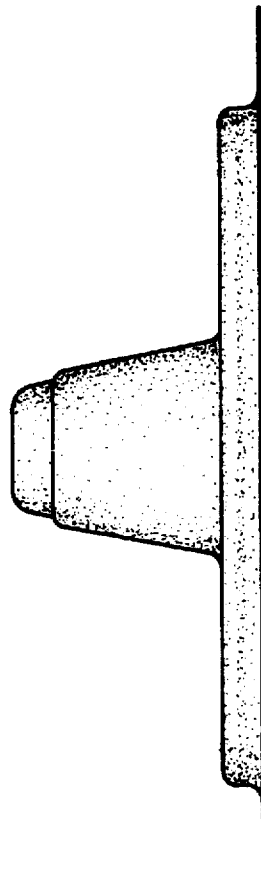


FIG. 5

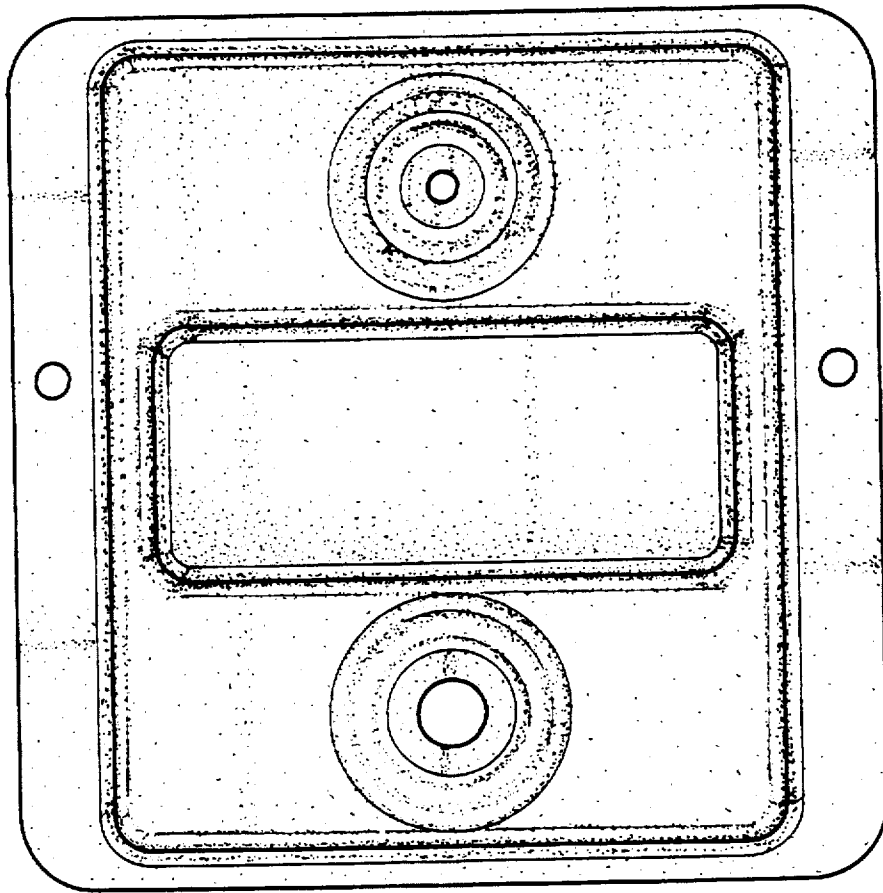


FIG. 6

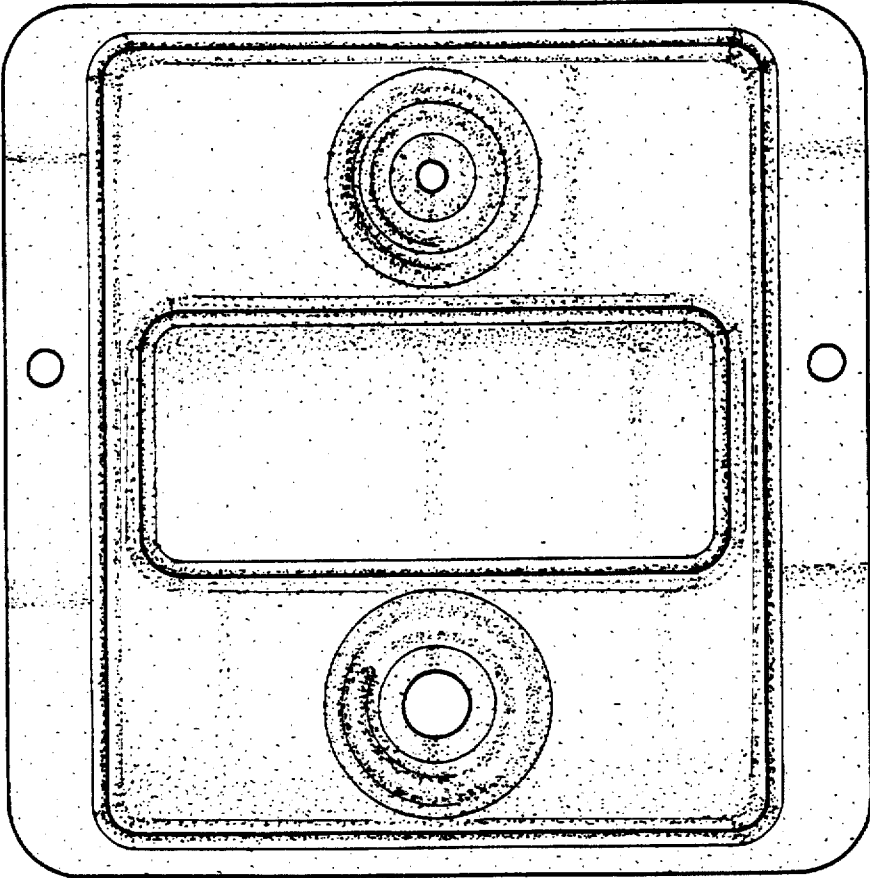


FIG. 7