



(12) **United States Design Patent**
Silvas

(10) **Patent No.:** **US D701,711 S**
(45) **Date of Patent:** **** Apr. 1, 2014**

(54) **ANTI-WRINKLE PILLOW**
(71) Applicant: **Patti Jeanne Silvas**, Bonney Lake, WA
(US)

(72) Inventor: **Patti Jeanne Silvas**, Bonney Lake, WA
(US)

(**) Term: **14 Years**

(21) Appl. No.: **29/439,478**

(22) Filed: **Dec. 11, 2012**

(51) **LOC (10) Cl.** **06-09**

(52) **U.S. Cl.**
USPC **D6/601**

(58) **Field of Classification Search**
USPC D6/595, 596, 601, 604; 5/630, 633,
5/636, 638, 644, 652, 652.1, 653-655,
5/657

See application file for complete search history.

(56) **References Cited**

U.S. PATENT DOCUMENTS

2,533,526 A	12/1950	Snyder
3,829,917 A	8/1974	De Laittre et al.
4,218,792 A	8/1980	Kogan
4,494,261 A	1/1985	Morrow
D298,198 S	10/1988	O'Sullivan
4,788,728 A	12/1988	Lake
4,907,306 A	3/1990	Nakaji
4,908,893 A	3/1990	Smit
5,054,143 A	10/1991	Javaher
5,084,928 A	2/1992	Skillington
5,088,141 A	2/1992	Meyer et al.
5,163,195 A	11/1992	Hill
5,457,832 A	10/1995	Tatum
5,781,947 A	7/1998	Sramek
5,813,065 A	9/1998	Tinhorn
5,848,448 A	12/1998	Boyd
D410,810 S	6/1999	Lozier

D412,259 S * 7/1999 Wilcox et al. D6/601
D444,980 S * 7/2001 Mowat et al. D6/601
6,471,726 B2 10/2002 Wang

(Continued)

FOREIGN PATENT DOCUMENTS

CA 2 224 630 A1 9/1999
CN 2083000 U 8/1991

(Continued)

OTHER PUBLICATIONS

"30 matches for "memory foam" in Bed Pillows," Bizrate, retrieved from BizRate.com on Mar. 4, 2003, 3 pages.

(Continued)

Primary Examiner — Janice Seeger

(74) *Attorney, Agent, or Firm* — Seed IP Law Group PLLC

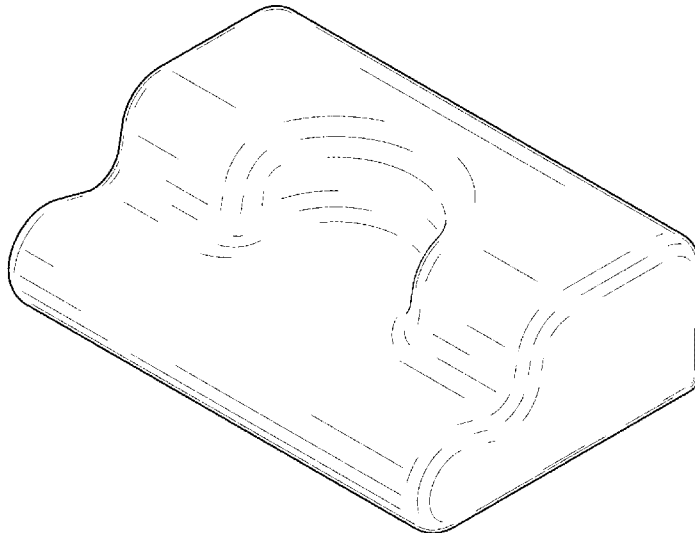
(57) **CLAIM**

The ornamental design for a anti-wrinkle pillow, as shown and described.

DESCRIPTION

FIG. 1 is an isometric projection of an embodiment of an anti-wrinkle pillow of my new design.
FIG. 2 is a top plan view of the pillow of FIG. 1.
FIG. 3 is a front elevational view of the pillow of FIG. 1.
FIG. 4 is a left side elevational view of the pillow of FIG. 1.
FIG. 5 is a right side elevational view of the pillow of FIG. 1.
FIG. 6 is a cross-sectional view of the pillow of FIG. 1 taken through 6-6, shown on FIG. 2.
FIG. 7 is a back elevational view of the pillow of FIG. 1; and, FIG. 8 is a bottom plan view of the pillow of FIG. 1.

1 Claim, 4 Drawing Sheets



(56)

References Cited

U.S. PATENT DOCUMENTS

D465,686	S	*	11/2002	Hwong	D6/601
D474,364	S		5/2003	Arcieri		
6,574,809	B1		6/2003	Rathbun		
6,622,325	B1		9/2003	Garza		
6,671,906	B1		1/2004	Milligan		
6,742,207	B1		6/2004	Brown		
6,817,049	B1		11/2004	Hall		
7,082,633	B1		8/2006	Maarbjerg		
7,203,983	B1		4/2007	Reeves et al.		
7,428,763	B2		9/2008	Hightower		
7,594,288	B1		9/2009	Holliday et al.		
8,161,588	B1		4/2012	Anson		
2003/0188383	A1		10/2003	Ense		
2006/0265808	A1		11/2006	Phillips		

FOREIGN PATENT DOCUMENTS

CN		2420931	Y	2/2001
CN		2673219	Y	1/2005
CN		2696454	Y	5/2005
CN		2815160	Y	9/2006

CN		2834340	Y	11/2006
CN		101040749	A	9/2007
CN		201119680	Y	9/2008
CN		201223208	Y	4/2009
CN		201403939	Y	2/2010
CN		101756574	A	6/2010
CN		201814263	U	5/2011
CN		202069308	U	12/2011
CN		202173142	U	3/2012
FR		2 821 733	A1	9/2002
GB		2 417 897	A	3/2006
JP		2004-283381	A	10/2004
JP		2011-189005	A	9/2011
TW		201032763	A	9/2010
WO		2010/082758	A2	7/2010
WO		2011/118916	A2	9/2011

OTHER PUBLICATIONS

"A brief lesson in a better night's sleep," TechnoScout, retrieved from TechnoScout.com on Mar. 4, 2003, 2 pages.
 "Jobri Deluxe Memory Foam Pillow," ComfortChannel, retrieved from comfortchannel.com on Mar. 4, 2003, 3 pages.

* cited by examiner

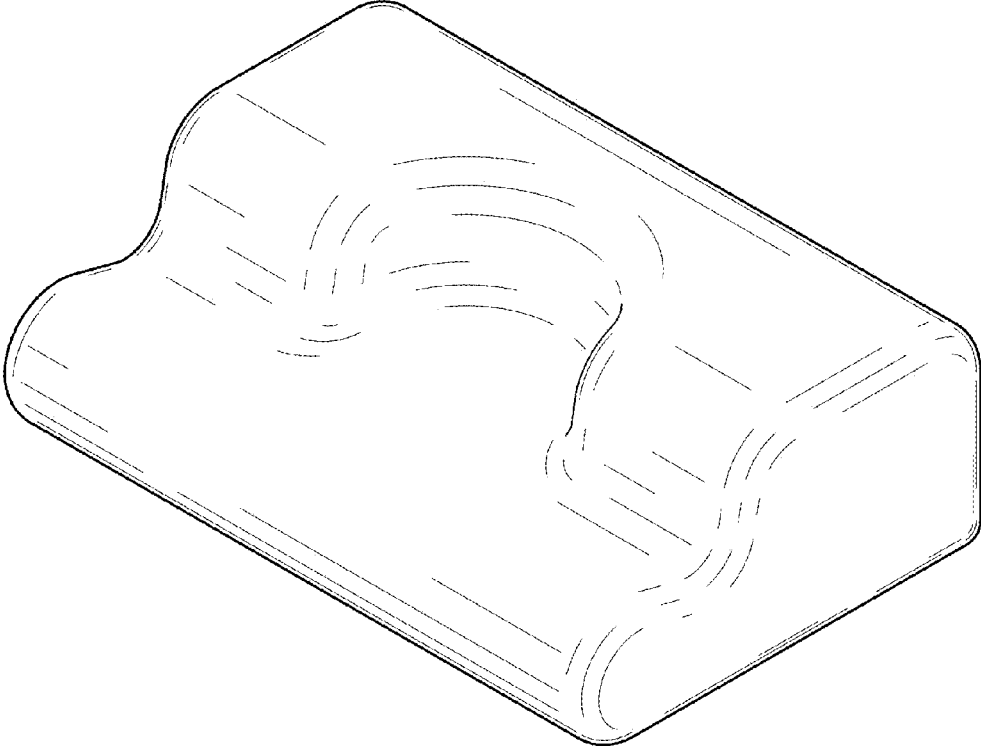


FIG.1

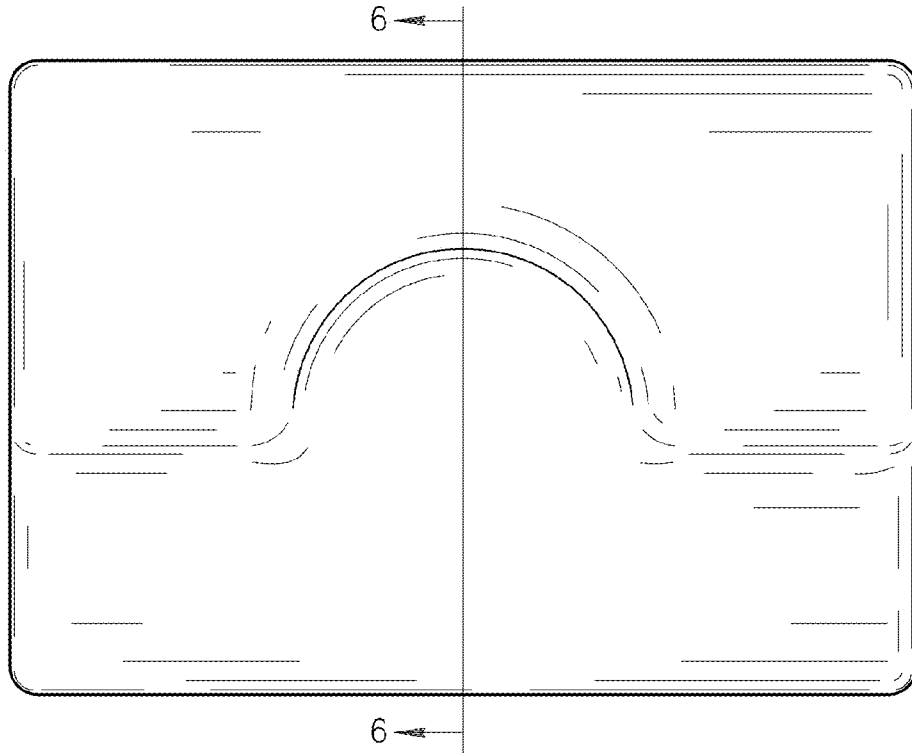


FIG. 2

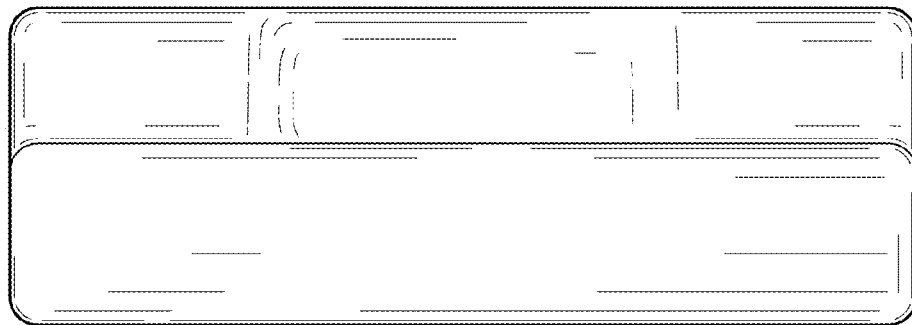


FIG. 3

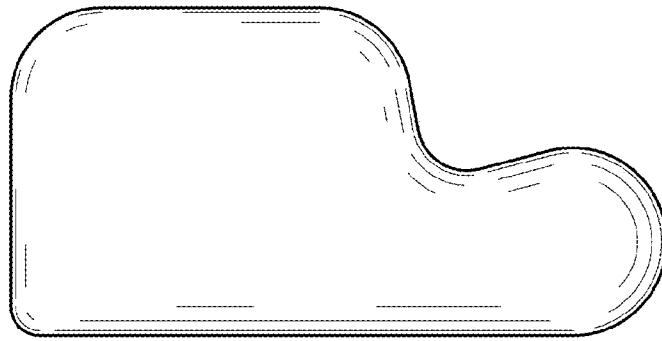


FIG. 4

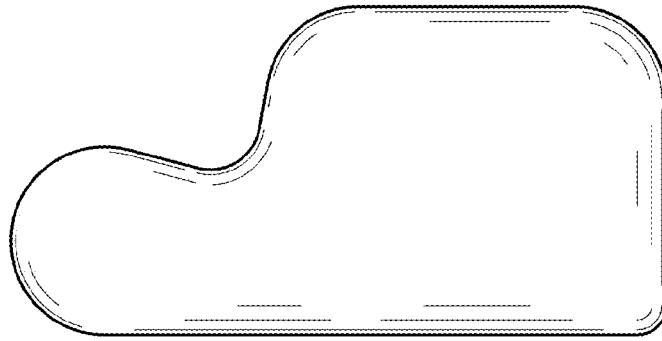


FIG. 5

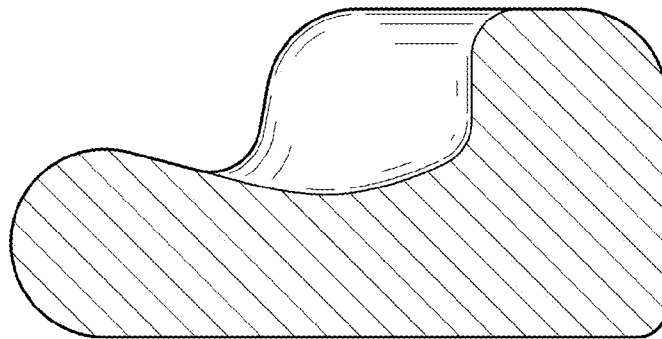


FIG. 6

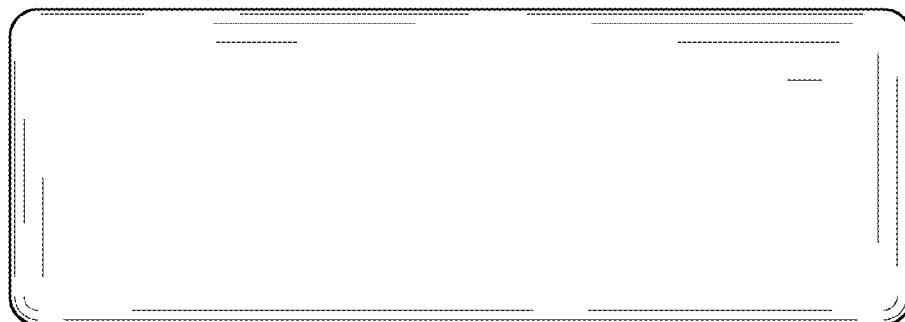


FIG. 7

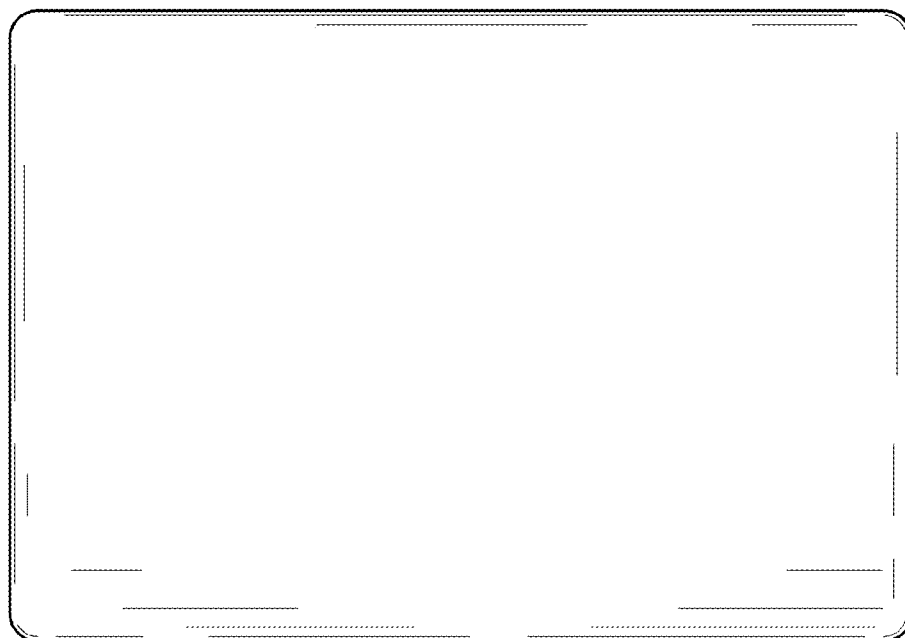


FIG. 8