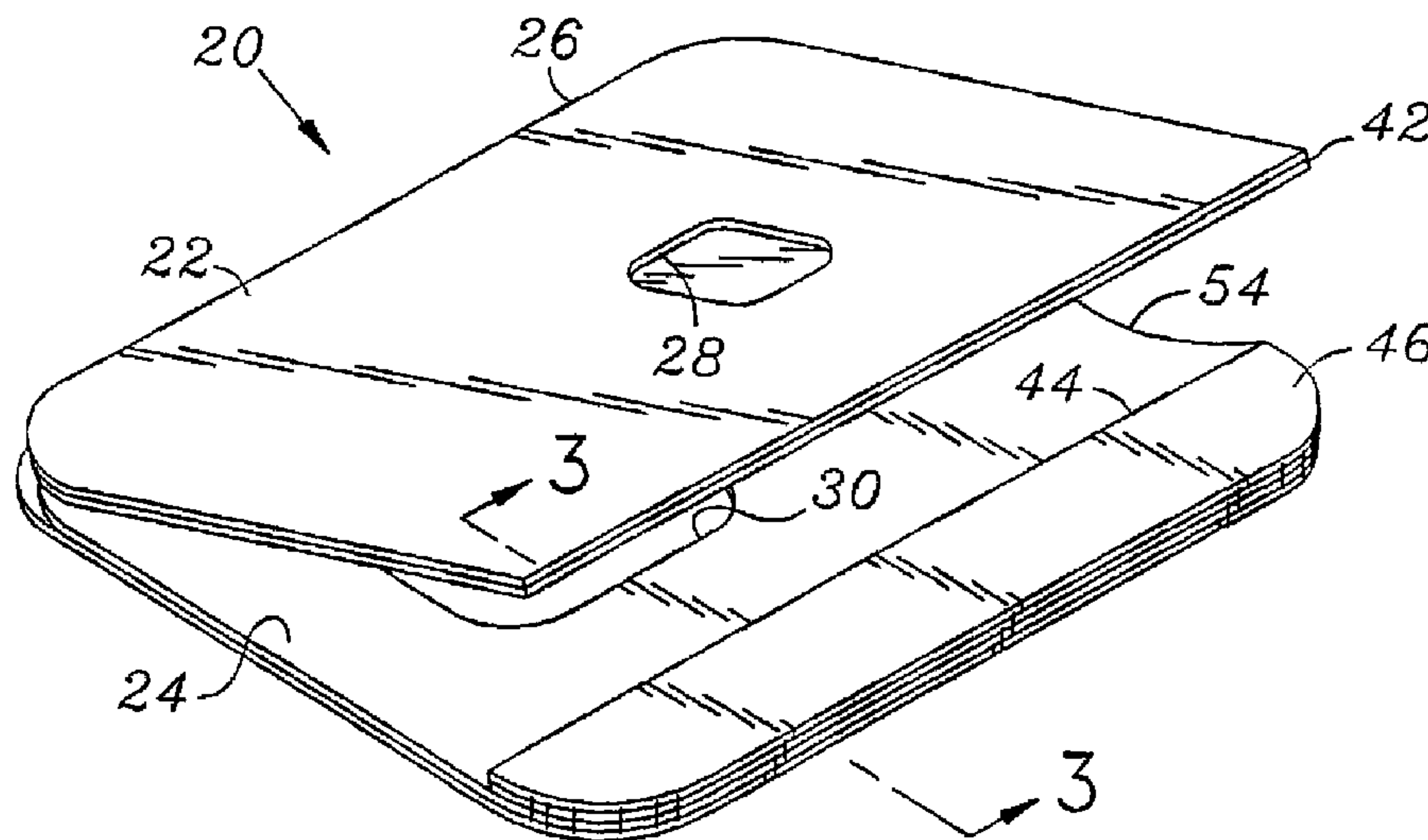




(86) Date de dépôt PCT/PCT Filing Date: 1994/08/30  
 (87) Date publication PCT/PCT Publication Date: 1995/03/16  
 (45) Date de délivrance/Issue Date: 2007/04/10  
 (85) Entrée phase nationale/National Entry: 1996/02/20  
 (86) N° demande PCT/PCT Application No.: US 1994/009973  
 (87) N° publication PCT/PCT Publication No.: 1995/007145  
 (30) Priorité/Priority: 1993/09/10 (US119,466)

(51) Cl.Int./Int.Cl. *G01N 33/543* (2006.01),  
*A61B 10/00* (2006.01), *B01L 3/00* (2006.01),  
*B65D 75/20* (2006.01), *G01N 33/569* (2006.01),  
*G01N 33/72* (2006.01)  
 (72) Inventeur/Inventor:  
 NORELL, JOYCE L., US  
 (73) Propriétaire/Owner:  
 SMITHKLINE DIAGNOSTICS, INC., US  
 (74) Agent: MACRAE & CO.

(54) Titre : FERMETURE A ELEMENT BISEAUTE ET DISPOSITIF  
 (54) Title: BEVEL CLOSURE AND DEVICE



(57) **Abrégé/Abstract:**

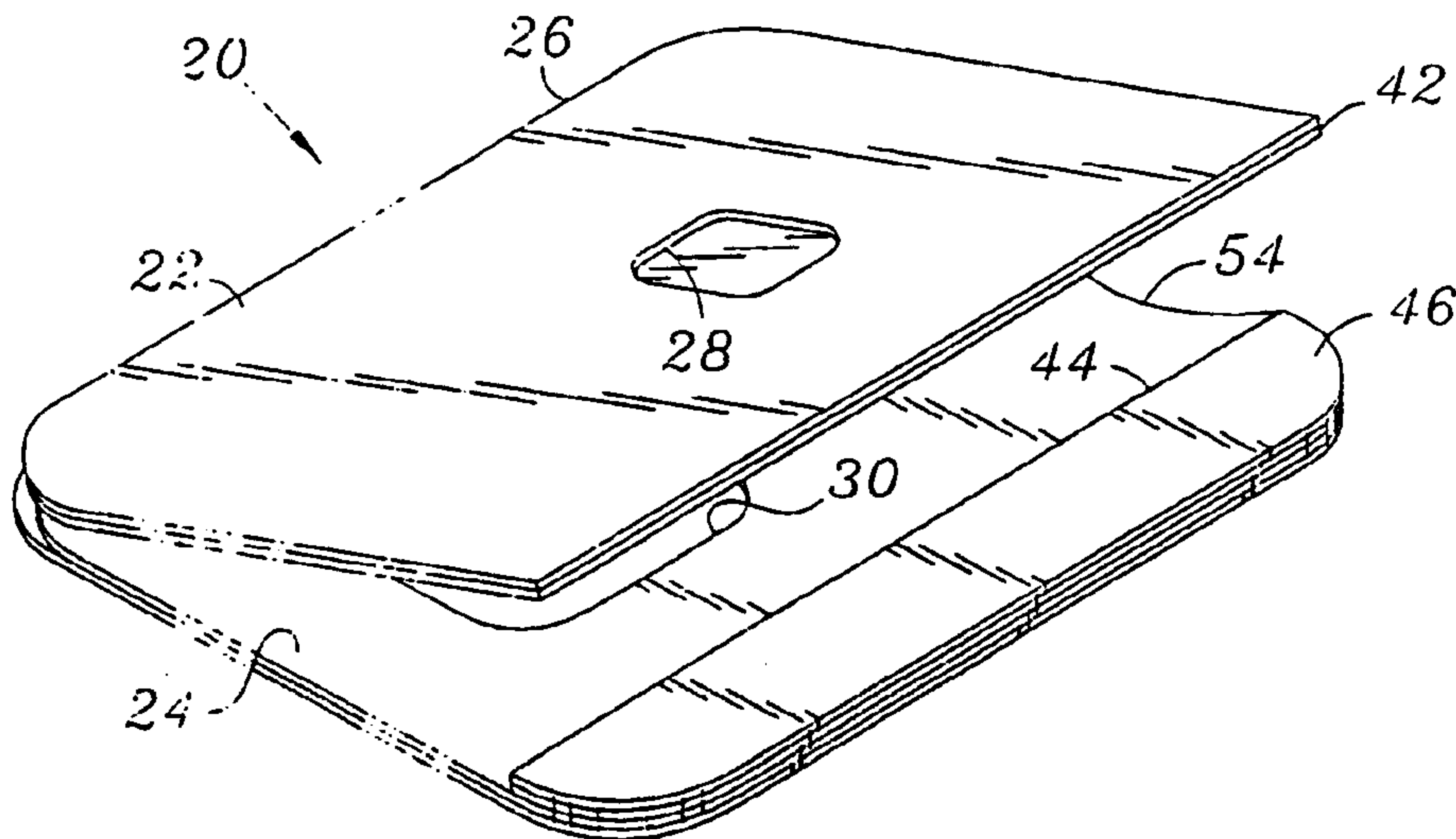
A closure (40) and device (20) for use with a closure (40), the closure (40) including a first member (22) having a beveled edge (42), as a second member (24) having an undercut edge (44), and optionally a base member to which the second member is fixed. The first member (2) is adapted to be received with the beveled edge (42) retained by the undercut edge (44). A test device (20) may include such a closure (40) and may also include a hinge (26) between the first and second members. Test elements, such as a chromatographic medium and absorbent pads, may be disposed on the first member and/or the base member and may be brought into opposition by closing the first member with the closure.



## INTERNATIONAL APPLICATION PUBLISHED UNDER THE PATENT COOPERATION TREATY (PCT)

<p>(51) International Patent Classification <sup>6</sup> : <b>B01L 3/00, A61B 10/00, B65D 75/20</b></p>	<p><b>A1</b></p>	<p>(11) International Publication Number: <b>WO 95/07145</b> (43) International Publication Date: 16 March 1995 (16.03.95)</p>
<p>(21) International Application Number: PCT/US94/09973 (22) International Filing Date: 30 August 1994 (30.08.94) (30) Priority Data: 08/119,466 10 September 1993 (10.09.93) US (71) Applicant: SMITHKLINE DIAGNOSTICS, INC. [US/US]; 225 Baypointe Parkway, San Jose, CA 95134-1622 (US). (72) Inventor: NORELL, Joyce, L.; 230 Redwood Drive, Boulder Creek, CA 95006 (US). (74) Agents: MAY, William, H. et al.; Beckman Instruments, Inc., 2500 Harbor Boulevard, Fullerton, CA 92634 (US).</p>	<p>(81) Designated States: AU, CA, FI, JP, European patent (AT, BE, CH, DE, DK, ES, FR, GB, GR, IE, IT, LU, MC, NL, PT, SE).  <b>Published</b> <i>With international search report. Before the expiration of the time limit for amending the claims and to be republished in the event of the receipt of amendments.</i></p> <p style="text-align: right; font-size: 2em; font-weight: bold;">2169928</p>	

(54) Title: BEVEL CLOSURE AND DEVICE



## (57) Abstract

A closure (40) and device (20) for use with a closure (40), the closure (40) including a first member (22) having a beveled edge (42), as a second member (24) having an undercut edge (44), and optionally a base member to which the second member is fixed. The first member (2) is adapted to be received with the beveled edge (42) retained by the undercut edge (44). A test device (20) may include such a closure (40) and may also include a hinge (26) between the first and second members. Test elements, such as a chromatographic medium and absorbent pads, may be disposed on the first member and/or the base member and may be brought into opposition by closing the first member with the closure.

## BEVEL CLOSURE AND DEVICE

5

### Field

The present invention relates generally to the field of closures and devices using such closures.

10

### Background of the Invention

Various closure techniques are known in the art for closing test devices that require a flap or cover to be closed over a base. One simple example is a transfer adhesive that is applied to the base and covered with a peelable tape. The tape is removed and the flap is then pressed against and retained by the adhesive.

15

Typically, however, the adhesive will not thereafter release the flap, and thus the flap may not be again opened without destroying the transfer adhesive closure.

20

If the flap is to be closed more than once, previously known closure techniques include peelable adhesives carried by a length of tape that is applied over the flap and base. The tape may be peeled back to open the flap and then reapplied to reclose the flap. Additional examples of closure techniques include hook-and-loop fasteners and snap fasteners, where one element of such a fastener is affixed to the flap and the other element is affixed to the base of the device.

25

These alternatives, however, can be relatively expensive to manufacture, particularly where the elements of hook-and-loop or snap fasteners must be fixed to the flap and base of the device. Further, these closure techniques result in the device being secured at only one point or at most several discrete points between the flap and the base of the device. This can be a particular disadvantage in test devices that require a closing force to be evenly applied between the flap and base of the device.

30

2 1 6 9 9 2 8

Thus, there is a need for a closure for use, for example, in testing devices that is relatively simple and inexpensive, allows the device to be opened and closed several times without destroying or substantially degrading the performance of the closure, and can apply a closing force evenly between a device flap and  
5 base.

Summary of the Invention

The present invention satisfies these and other needs. A closure in accordance with the present invention may include a first member having a first  
10 angled or beveled edge, a second member having a second angled edge that is supplementary to the first angled edge and means for positioning the first member and the second member to engage the first angled edge and the second angled edge. Alternatively, the second member may be described as having an edge that includes an undercut portion, the first member having an edge including a lip that  
15 is adapted to be received in the undercut portion of the second member, and means for positioning the first member and second member to engage the lip within the undercut portion. The first and second members may be planar and a device including a closure of the present invention may include a base member to which is fixed a second member or closure portion, and a first or cover member hinged  
20 to the base member.

The first angled edge may define an angle that is less than 90 degrees and, more particularly, between about sixty degrees and eighty-five degrees.

25 The present invention also contemplates a closeable device including a base member, a cover member, a hinge between the base and cover member, with the cover member including a portion thereof fixed to the base member and a cut formed through the cover member intermediate the fixed portion and the hinge to define an undercut in the portion of the cover member that is fixed to the base  
30 member.

The present invention also contemplates a test device incorporating such a closure, the test device further including suitable testing elements such as sample and reagent receiving portions, chromatographic membranes and the like for conducting a test.

5

The present invention also contemplates a closeable device having two closures of the type described herein, a closeable device where the first portion is removable, and methods of making closeable devices in accordance herewith.

10

Brief Description of the Drawings

Figure 1 is a perspective view of a testing device incorporating a closure in accordance with the present invention;

Figure 2 is a side view of the device of Figure 1;

15

Figure 3 is a section view taken along line 3-3 of Figure 1;

Figure 4 is a view of the device of Figure 1 opened to reveal testing structures;

20

Figure 5 is a blank from which the device of Figure 1 may be formed;

Figure 5A is a section view of the hinge portion of the blank of Figure 5 taken along line 5A-5A thereof;

25

Figure 5B is a section view of an alternative hinge portion useful in the device of Figure 1;

30

Figure 6 is a top view of a bevel or closure cutter suitable for forming the closure of the device of Figure 1;

Figure 7 is a front view of the cutter of Figure 6;

2 1 6 9 9 2 8

Figure 8 is a side view of the cutter of Figure 6;

Figure 9 is a view of another form of a testing device utilizing the bevel closure in accordance with the present invention;

5

Figure 10 is the opposite side of the device of Figure 9;

Figure 11 is a perspective view of another form of a testing device in accordance with the present invention;

10

Figure 12 is another device in accordance with the present invention;

Figure 13 is a side view of a device in accordance with the present invention, having a covered closure;

15

Figure 14 illustrates alternative forms of a closure in accordance with the present invention; and

Figure 15 is another device in accordance with the present invention.

20

#### Detailed Description

With reference to Figures 1, 2, and 3, a testing device 20 includes a first planar member in the form of a front panel 22 and a back panel 24. The front panel 22 and the back panel 24 are joined by a hinge 26. The front panel 22 includes a window 28 for observing test results and the back panel 24 includes a well 30 adapted to receive testing elements and reagents as is described more fully below with respect to Figure 4.

25

30

Continuing with Figures 1-3, the testing device 20 includes a closure 40 in accordance with the present invention. The closure 40 includes a beveled edge 42 formed at an edge of the front panel 22 opposite to that of the hinge 26 and an

2 1 6 9 9 2 8

undercut edge 44 formed on a closure portion or planar fixed member 46 that is fixed to the back panel 24.

5 To close the testing device 20 using the closure 40, the front panel 22 is rotated about the hinge 26 such that the cover or front panel 22 and base or back panel 24 are brought together with a protruding lip or corner 48 of the beveled edge 42 brought against the upper surface of the fixed member 46. The front and back panels 22, 24, are urged together, slightly flexing the testing device 20 and in particular the hinge 26, allowing the protruding corner 48 to be displaced  
10 beneath an overhanging corner 50 of the undercut edge 44. With the entire length of the beveled edge 42 thus captured by the undercut edge 44 as illustrated by the phantom outline in Figure 3, the testing device 20 is closed with the front panel 22 in an opposed orientation with respect to the back panel 24. It is seen that the hinge 26 acts as a means for positioning the front and back panels 22, 24 such that  
15 the beveled edge 42 is captured, engaged or retained by the undercut edge 44.

Conversely, to open the testing device 20, the front and back panels 22, 24 are urged apart as for example, by holding the fixed member 46 and the back panel 24 between a user's fingers and urging the front panel 22 away from the  
20 back panel 24. An outer edge of the front panel 22 can be conveniently accessed via a notch 54 formed in the back panel 24. With opening force applied, the testing device 20 and in particular the hinge 26 again slightly flexes, releasing the beveled edge 42 from the undercut edge 44 and thereby allowing the front panel 22 to be opened with respect to the back panel 24.

25 With reference to Figure 4, the testing device 20 may include testing elements for the analysis of a sample. The testing elements may include with respect to the particular embodiment of Figure 4 a chromatographic membrane or member 60, a sample application pad 62, and a conductor pad 64 on the inside of  
30 the back panel 24. The chromatographic membrane 60 may include first and second lines 66, 68 of immobilized components useful for demonstrating the

performance of the testing device 20 and the presence of the analyte in a sample.

5 The inside of the front panel 22 includes a labeled reagent pad 70 and an absorbent pad 72. The first and second lines of immobilized components 66, 68 are aligned to be visible through the window 28. As so configured, the testing device 20 forms an immunochemical testing device for the detection of, for example, *H. pylori* as is described in U.S. Patent No. 6,017,767, issued January 25, 2000, in the name of Howard M. Chandler, entitled, "Assay Device" and which is assigned to the same assignee as the present invention.

10

15 Preferably, the testing device 20 is made of paperboard or fiberboard, and is preferably solid bleached sulfite (SBS) paperboard, approximately 0.6mm (0.024 inch) thick. The material may be cut to form a blank 80 (Figure 5). The blank 80 includes a first front panel portion 82 and a second front panel portion 84, as well as a first back panel portion 86 and a second back panel portion 88. The window 28 is formed by first and second openings 90, 92 formed in the first and second front panel portions 82, 84. Similarly, the well 30 is formed by a third opening 94 formed in the first back panel portion 86. Two parallel two-point crease rules 96, 98 (Figure 5A) are approximately two points apart and aid in forming the hinge 26, an overall distance 97 from the outside edges of the creases rules 96, 98 accordingly being about six points. One point represents one sixth of the distance represented by 97. As an alternative, a six point crease rule 99 (Figure 5B) can replace the two crease rules of Figure 5A. Other crease rule widths may be used according to the needs of the particular hinge that is to be formed.

25

A first cut or score line 100 is cut into the surface of the blank 80 between the first and second front panel portions 82, 84 to aid in forming a sharp fold line between the first and second front panel portions 82, 84. A similar second cut or score line 102 is cut into the surface of the blank 80 between the first and second back panel portions 86, 88.

The blank 80, with the openings 90, 92 and 94, and score lines 100, 102 are preferably die cut and formed all in a conventional fashion.

5 With the blank 80 formed, the first and second front panel portions 82, 84 are folded along the first score line 100, bringing the first and second front panel portions 82, 84 together. A piece of clear plastic window material may be disposed between the first and second front panel portions 82, 84, thus providing a clear plastic material (not shown in Figure 5) within the window 28. Preferably, the first and second front panel portions 82, 84 are glued together. Similarly, the  
10 first and second back panel portions 86, 88 are folded along the second score line 102 and are glued together.

The various testing elements such as those described with respect to Figure 4 are applied to the testing device. An adhesive 110, shown in cross section in  
15 Figure 3 and shown in outline form in Figure 5, is applied to the first back panel 86 proximate the position where the closure is to be formed (as is described herein below). The blank 80 is then folded along the hinge 26 and the front and back panels 22, 24 are pressed together, particularly along the adhesive 110, placing the applicable test elements in opposition.

20

To form the closure 40, an angled cut is made in the front panel 22. In the embodiment disclosed herein, a bevel cutter 120 as illustrated in Figures 6-8 is used to form such a cut. The bevel cutter 120 includes a base 122 and a vertical back member 124. The base 122 includes an adjustable edge guide or straight  
25 edge 126 and a handle 128. Mounted to the back plane 124 are two linear rails 130, 132 which in turn carry and support a cutting head 136.

The cutting head 136 includes a linear bearing portion 138 that is supported and guided by the linear rails 130, 132. The linear bearing portion 138 in turn  
30 supports a blade assembly 140. A vertical adjustment knob and screw 142 allows vertical adjustment of the blade assembly 140 with respect to the linear bearing portion 138.

The blade assembly 140 carries a rotary blade 144 within a rotary blade holder 146. The rotary blade holder 146 rotates about a support 148. The rotary blade 144 is preferably a double bevel buffed lark blade available from a Blade Tech, Inc. and has an outer diameter of 62 mm. and a thickness of 0.3 mm (0.012  
5 inch). The blade assembly 140 may be adjusted to vary the angle of the rotary blade 144 with respect to the base 122 by loosening adjustment screws 149 and the angle may be gauged by means of an angle selection gauge 150.

Although a double bevel rotary blade 144 is described herein, it is to be  
10 appreciated that a single bevel blade may also be used to make the required cut in forming a closure such as the closure 40. Further, although the bevel cutter 120 is a manually operated device and suitable for cutting one or relatively few devices at a time, the bevel cutter 120 may be enlarged to allow a larger number of devices to be cut at one time and the cutting head may be moved by suitable means such as  
15 a pneumatic cylinder or an electric motor. Also, automated cutting means may be used to cut and thus form a closure in accordance with the present invention with sheet fed or web fed stock, and other cutting means such as a straight edge blade or laser, could be employed to form a cut.

20 To form the closure 40, the testing device 20 is placed on the base 122 as shown by outline 160 (Figure 6) with the front panel 22 up and the adhesive 110 proximate the straight edge 126. The vertical adjustment knob and screw 142 are adjusted such that the depth of the cut formed by the rotary blade 144 is through the front panel. The angle of the rotary blade 144 is adjusted to the appropriate angle,  
25 which in the embodiment disclosed herein is an angle 152 of less than ninety degrees and, for the device and for the material disclosed here, preferably between about sixty degrees and eighty-five degrees, or between about five degrees and thirty degrees from vertical. A preferred angle is about seventy-two degrees, or eighteen degrees from vertical.

30

With the testing device 20 in place, as shown by the outline 160, the testing device 20 is held firmly against the guide 126 and the cutting head 136 is

moved along the linear rails 130, 132 parallel to the edge of the guide 126, thus cleanly forming a cut through the front panel 22 proximate but not over the adhesive 102, and thereby defining the closure 40 and the fixed member 46.

5 In particular, the beveled edge 42 (Figure 3) and the undercut edge 44 are formed, defining a bevel angle 170 and an undercut angle 172 equal to the angle set by the rotary blade 144. Thus, the bevel angle 170 and undercut angle 172 are equal, and are less than ninety degrees and may be between about sixty to eighty-five degrees, and for the test device 20, about seventy-two degrees. The undercut angle 172 is supplementary to a fixed member angle 174 formed by the fixed  
10 member 46, that is, the undercut angle 172 and the fixed member angle 174 together total one hundred eighty degrees. Thus, the bevel angle 170 and the fixed member angle 174 are likewise supplementary.

15 In determining the angle of the cut made to form the closure 40 or other closures in accordance with the present invention, factors to be considered include the degree of hold desired when the beveled edge 42 is retained under the undercut edge 44, the thickness of the members or panels that form the beveled and undercut edges, the amount of internal pressure to be applied between opposing test elements carried within a testing device utilizing the closure, hinge design (if a  
20 hinge is employed in the device), and the material from which the device is made. In general, any angle less than ninety degrees may be operable and thus within the scope of this invention, provided that the protruding corner 48 is capturable beneath the overhanging corner 50 to thus close the testing device 20, and that the beveled edge 42 can be released from the undercut edge 44 to open the device 20.

25 Preferably, the adhesive 110 is near the closure 40, and preferably as close as reasonably feasible to prevent gaping or bowing between the fixed member 46 and the back panel 24 as the testing device 20 is opened, pulling the beveled edge 42 from beneath the undercut edge 44. Such bowing may, for example, deform  
30 the fixed member 46, and thus varying the closed force applied between opposing testing elements.

5 With the testing device 20 formed from SBS, it is preferred that the moisture content of the SBS material is fixed or stabilized prior to the formation of the closure 40 by means of the bevel cutter 120. This may be accomplished, for example, by placing the device in a vacuum chamber. Preferably the moisture content of the testing device 20 is stabilized at approximately one percent prior to the formation of the closure 40, although other moisture contents are also possible and will yield a functioning closure in accordance with the present invention. It is to be clearly understood that the closure of the present invention is operable without the moisture content of the testing device 20 being stabilized prior to forming the closure 40. However, moisture stabilization is preferred (although not necessary or required) to provide a more predictable operation of the closure 40 by equalizing and distributing stresses throughout the device before the cut is made and thus decreasing the likelihood of improperly aligned edges 42, 44.

15 With the closure 40 formed as just described, the testing device 20 may be packaged in a hermetically sealed envelope (not shown) for storage and transportation prior to use.

20 In use, the device is removed from its protective envelope (note shown) and is opened as described above. A buffer is added to the labeled reagent pad 70 and a sample that may contain H. pylori is applied to the sample application pad 62. After a time sufficient to allow the sample to flow through the chromatographic membrane 60 toward the conductor pad 64 and during which any H. pylori antigen or antibody (depending of the analyte of interest) is bound to the first line of immobilized component 66, the device 20 is closed by means of the closure 40 as is described above. The absorbent pad 72 is placed into contact with the sample application pad and the reagent application pad is placed into contact with the conductor pad 64. The flow of liquid in the chromatographic membrane is accordingly reversed, and labeled reagent flows through the chromatographic membrane from the labeled reagent pad 70 and the conductor pad 64 toward the sample application pad 62 and the absorbent pad 72. Any immobilized analyte bound to the first line of immobilized component 66 in turn immobilizes labeled

reagent, producing a colored line. Further, the labeled reagent is also bound to the second line of immobilized component 68 to demonstrate test device 20 operability. The results of the test are observed through the window 28.

5           The hinge structures illustrated in the cross section embodiments of Figures 5A and 5B, and preferably the structure of Figure 5B, provide stable and consistent hinges 26 that suitably align the beveled edge 42 with the undercut edge 44. It is to be appreciated that if the front panel 22 is offset by, for example, instability of the hinge 26, and the beveled edge 42 moves away from the undercut  
10 edge 44, sufficient movement of this nature will prevent the protruding corner 48 from engaging the overhanging corner 50 and cause the closure 40 to fail.

          Conversely, if the front panel 22, with the device 20 in its open state, is offset such that the protruding corner 48 substantially overlaps the fixed member  
15 46, it is likely that closing pressure applied to the front and back panels 20, 24 will not engage the closure 40.

          Thus, the relatively stable hinge designs of Figures 5A and 5B and particularly of Figure 5B provide two forms of suitable hinges for the present  
20 invention. Such designs also enable the distance from the front panel 22 to the back panel 24 to be controlled when the testing device 20 is in its closed condition by varying the distance between the parallel crease rules 96, 98 of Figure 5A or the overall width of the single wide crease rule 99 of Figure 5B. This is particularly advantageous for accommodating various thicknesses of testing  
25 elements contained within the testing device 20 and also accommodating the amount of pressure that is applied between opposing testing elements as may be required by the characteristics of the testing element materials and the like.

          Other hinge designs, such as a rounded hinge, may be similarly suitable  
30 and will be apparent to those skilled in the art without undue experimentation.

With the present device of Figure 1, the length of the closure 40 of the device of Figure 1 may be; for example, approximately 7.6 cm (3 inches) although the size of a device employing a closure in accordance with the present invention may, of course, be adapted over a wide range according to the particular needs.

5

The width of a testing device in accordance with the present invention and particularly the width of, for example, the front panel 22 (between the closure 40 and the hinge 26) may be varied according to the needs of the testing elements disposed within the testing device. For example, the chromatographic membrane 60 and related testing elements on the front and back panels 22, 24 may be collectively moved toward or away from the closure 40.

It is also to be appreciated that although the closure 40 of the testing device 20 is shown as running the entire length of the device, only a portion of the front panel 22 edge could be formed to define the closure 40 as the needs of the testing device 20 dictate and, further, the length of the front panel 22 (the dimension parallel to the closure 40) need, of course, not correspond to the entire length of the back panel 24 as illustrated with respect to the embodiment described for testing device 20.

Another form of a testing device employing the closure of the present invention is illustrated in Figures 9 and 10. Such a testing device 200, which may be suitable for testing of hemoglobin in, for example, fecal specimens, includes a front panel 202 and a back panel 204. A closure in accordance with the present invention is formed by a beveled edge 206 at an outer edge of the front panel 202 and an undercut edge 208 on a fixed member 210. A hinge 212 is defined between the front and back panels 202, 204.

A plurality of sample application pads 220, 222, 224 are disposed on the inside of the back panel 204 proximate the hinge 212, and a corresponding plurality of chromatographic testing members 226, 228, 230 are disposed on the inside of the front panel 202. Each of the testing members to under 26, 228, 230 includes a chromatographic

30

membrane 232, a labeled reagent pad 234, a transfer pad 236 aligned so as to contact a corresponding sample application pad (such as pad 220) when the testing device 200 is closed, and an absorbent pad 238 at a second end of the chromatographic member 232.

5           Windows 240, 242, 246 are formed in the front panel 202 in alignment with the chromatographic testing members 226, 228, 230 so as to allow observation of test results. A reduced width portion 246 of the back panel 204 allows the front panel 202 to be easily lifted away from the back panel 204 to open the testing device 200.

10           In use, the testing device 200 is opened, samples that may contain an analyte of interest, such as hemoglobin, are applied to the sample application pads 220, 222, 224, and the device is closed by pressing the front and back panels 202, 204 together, thus engaging the beveled edge 206 beneath the undercut edge 208. The samples flow through the chromatographic testing members 226, 228, 230, performing, for example, an  
15 immunochemical analysis of the samples to thereby indicate the presence or absence of hemoglobin in the samples. Presence of hemoglobin may be indicated by means of visible lines appearing in windows 240, 242, 244. Such a testing device is similar to the hemoglobin testing device described in the above-referenced U.S. Patent No. 6,017,767. The testing device 200 may be formed in a manner and process similar to that described  
20 above with respect to the testing device 20, and in the embodiment of the testing device 200 of Figures 9 and 10.

          Another embodiment of a testing device incorporating the closure of the present invention is illustrated in Figure 11. A testing device 300 includes a front panel 302 and a  
25 back panel 304 joined by a hinge 306. Closures in accordance with the present invention are formed by beveled edges 308, 310 on opposite edges of the front panel 302, and corresponding undercut edges 312, 314 formed by corresponding planar fixed members 316, 318 which are proximate corresponding edges of the back panel 304. As a further alternative, the hinge

2169928

306 may be eliminated, thus enabling the front panel 302 to be completely removable from the device 300. In either embodiment, such a testing device may include testing elements (not shown) for sample analysis.

5 A further alternative of a device in accordance with the present invention is a device 340 of Figure 12. The device 340 includes a front panel 342, a back panel 344 (seen by way of a cut away portion of the front panel 342 in Figure 12). The front and back panels 342, 344 are joined at a hinge 346. A first and second closure 348, 350, both as described above with reference to the other embodiments disclosed herein, meet at a right angle 352. The device 340 may include testing elements similar to those described with respect to the testing device 20 and the testing device 200, or other testing elements.

10 Another form of the present invention is illustrated in Figure 13, wherein a device 360 is similar to the device of Figure 1, including a front panel 362, back panel 364, and a closure in accordance with the present invention defined by a beveled edge 366 and an undercut edge 368. A portion 370 of the front panel 362 extends beyond the beveled edge 366, thus hiding the closure formed by the edges 366, 368 when the front and back panels 362, 364 are closed.

15 20 Additional alternatives of a closure in accordance with the present invention are illustrated in Figures 14A-14C. A closure 400 formed by a fixed or retaining member 402 and a movable or retained member 404 includes an angled portion 406 and a perpendicular portion 408 that is perpendicular to a base member 410. In Figure 14B, a closure 420 is formed by a fixed or retaining member 422 and a movable or retained member 424 that includes an angled portion 426 proximate a base member 428 and a perpendicular portion 430. In the embodiment of Figure 14B, the fixed or retaining member 422 includes a double beveled edge 432, although a single bevel and a perpendicular portion corresponding to the perpendicular portion 430 would also be suitable.

25 30

2 1 6 9 9 2 8

With respect to Figure 14C, a first member 440 includes a double angled edge having angled surfaces 442 and 444. A second member 446 with a double beveled edge having surfaces 448, 450 may be retained by the angled surfaces 442, 444.

5

It is to be appreciated that the embodiments of Figures 14A and 14B do not require the base member 410 and the base member 428, respectively, if further displacement of the movable or retained members 404 and 428 downwardly as viewed in Figures 14A and 14B is not important. Further, the embodiment of 14C enables the second member 446 to be captured by the first member 440 (or vice versa) regardless of whether the second member 446 approaches the first member 440 from above or below the first member 440 as viewed with respect to Figure 14C. It is to be appreciated that "above" and "below" as used in the description of the embodiments of Figures 14A, 14B and 14C are relative with respect to such Figures and should not be deemed as limitations with respect to the design or operability of the present invention.

10

15

25

Another embodiment of a device according to the present invention is shown in Figure 15. Such a device 470 includes a cover 472 and base 474 joined by a hinge 476. Outer corners of the base 474 include retaining members 478, 480 that include undercut edges 482, 484. Corresponding beveled edges 486, 488 at corresponding corners of the cover 472 cooperate with the undercut edges to form a closure in accordance with the present invention. The device 470 may include testing elements similar to those described above.

20

30

An advantage of the closure of the present invention, particularly with respect to testing devices and devices as described herein, is that the closing force is equally distributed along the length of the closure, such as the closure 40 in the testing device 20. This is to be compared with, for example, closing techniques such as strips of peelable tape, hook-and-loop fasteners, snaps and tabs.

2169928

5 Various alternatives are within the scope of the present invention. For  
example, although the devices disclosed herein are described with respect to SBS  
paper board material, other materials may also be used, such as plastic. Further,  
a single material thicknesses of material or more than two thicknesses are also  
10 useable, rather than the two thicknesses of material for the devices. Additionally,  
a closure in accordance with the present invention can be curved or curving in  
addition to the straight or linear closures disclosed herein. Also, the closure in  
accordance with the present invention can be used on other than test devices, such  
as on envelopes, boxes, other containers, and the like. Other suitable means from  
15 positioning, for example, the front and back panels 22, 24 of the device 20 include  
other forms of mechanical hinges or hinges formed separately from the device and  
affixed to the device to provide the positioning function, and other flexible  
materials such a tape.

15 Although particular embodiments of a closure and devices using such a  
closure are described herein, the present invention is not to be limited by such  
specific embodiments, but is to be afforded the full scope of the appended claims  
and all equivalents thereto.

THE EMBODIMENTS OF THE INVENTION IN WHICH AN EXCLUSIVE PROPERTY OR PRIVILEGE IS CLAIMED ARE DEFINED AS FOLLOWS:

1. A reclosable testing device, comprising:
  - a base member (24);
  - a cover member (22);
  - a fixed member (46) fixed to the base member (24), the fixed member having an undercut edge (44);
  - a hinge (26) between the base member (24) and cover member (22);
  - one or more testing elements fixed to at least one of the base member (24) or the cover member (22); and
  - closure means comprising a beveled edge (42) on the cover member (22), the beveled edge being supplementary to the undercut edge (44) and being adapted to be received and retained in a closed position with the undercut edge of the fixed member in an edge-to-edge engagement, the base member (24), cover member (22), and fixed member (44) being formed of a sufficiently rigid material to minimize bowing on the closure thereby to ensure that a sample for testing and the testing elements come into operative contact for effecting a test, and that a force is distributed substantially evenly over the cover member, and thereby further ensuring that, together with the hinge (26) between the base member (24) and the cover member (22), and with the closure means, the closure force is substantially equally distributed along the length of the closure means.
2. A reclosable testing device as recited in claim 1 wherein testing elements are fixed to the base member (24).
3. A reclosable testing device as recited in claim 1 wherein testing elements are fixed to the cover member (22).
4. A reclosable testing device as recited in claim 1 wherein a first testing element is fixed to the cover member (22) and a second testing element is fixed to the base member (24).

5. A reclosable testing device as recited in claim 4 wherein the first and second testing elements are opposable when the cover member (22) is closed and retained by the closure means.

6. A reclosable testing device as recited in claim 5 wherein either the first or the second testing element includes a chromatographic medium.

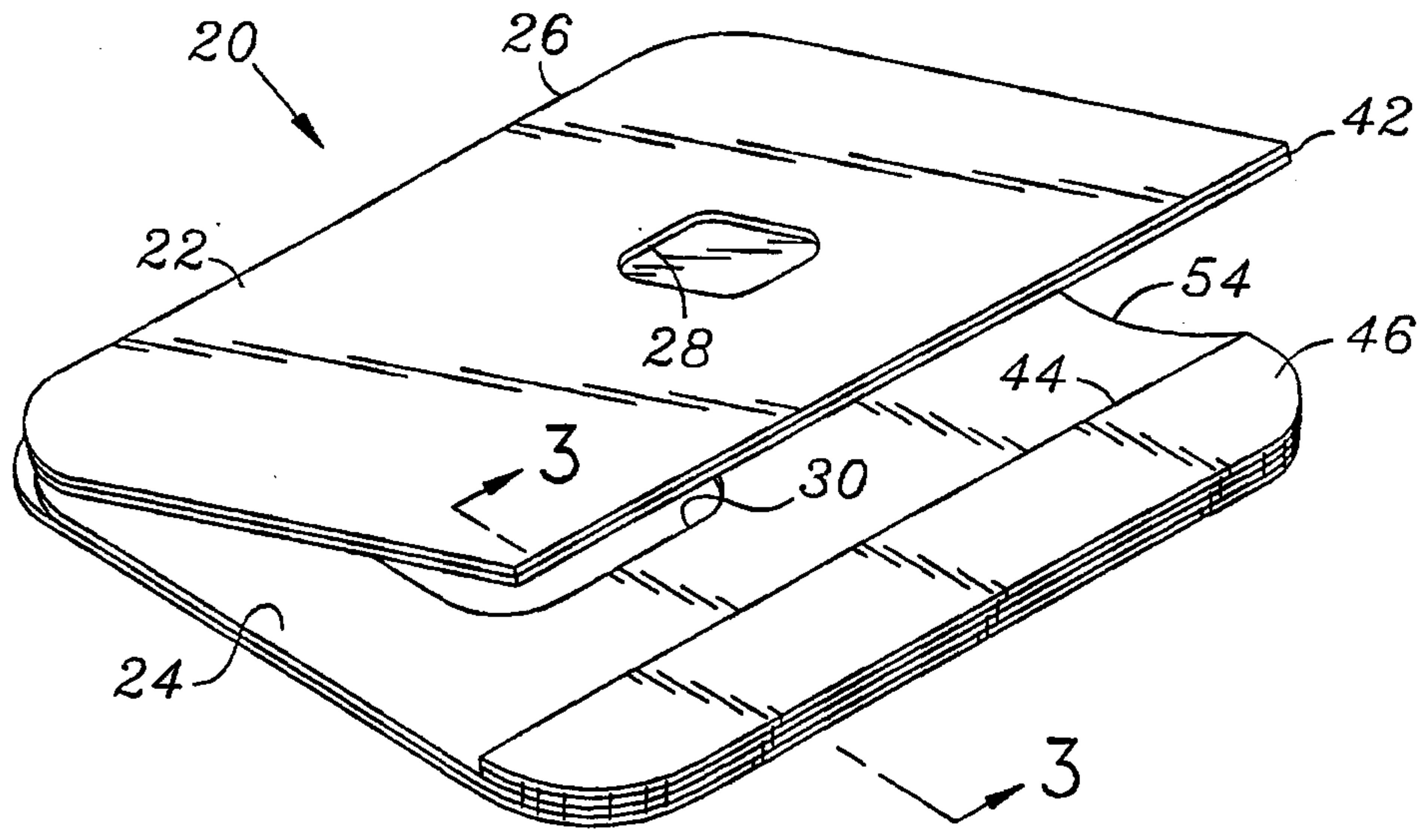


FIG. 1

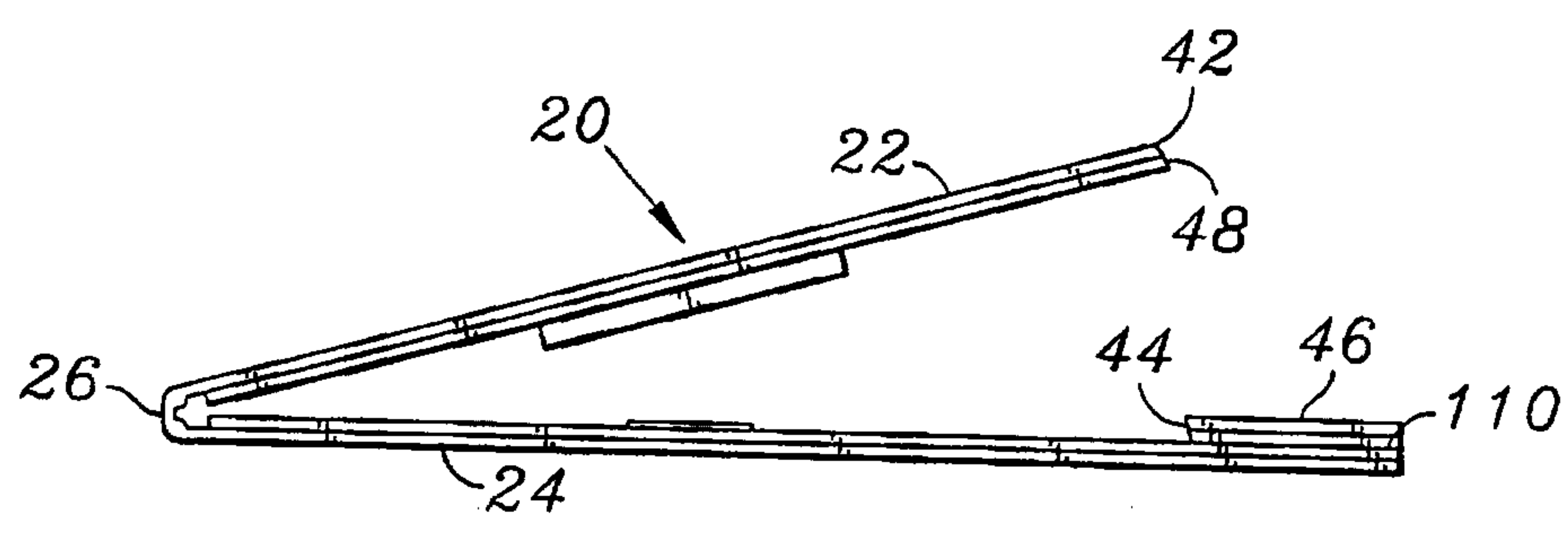


FIG. 2

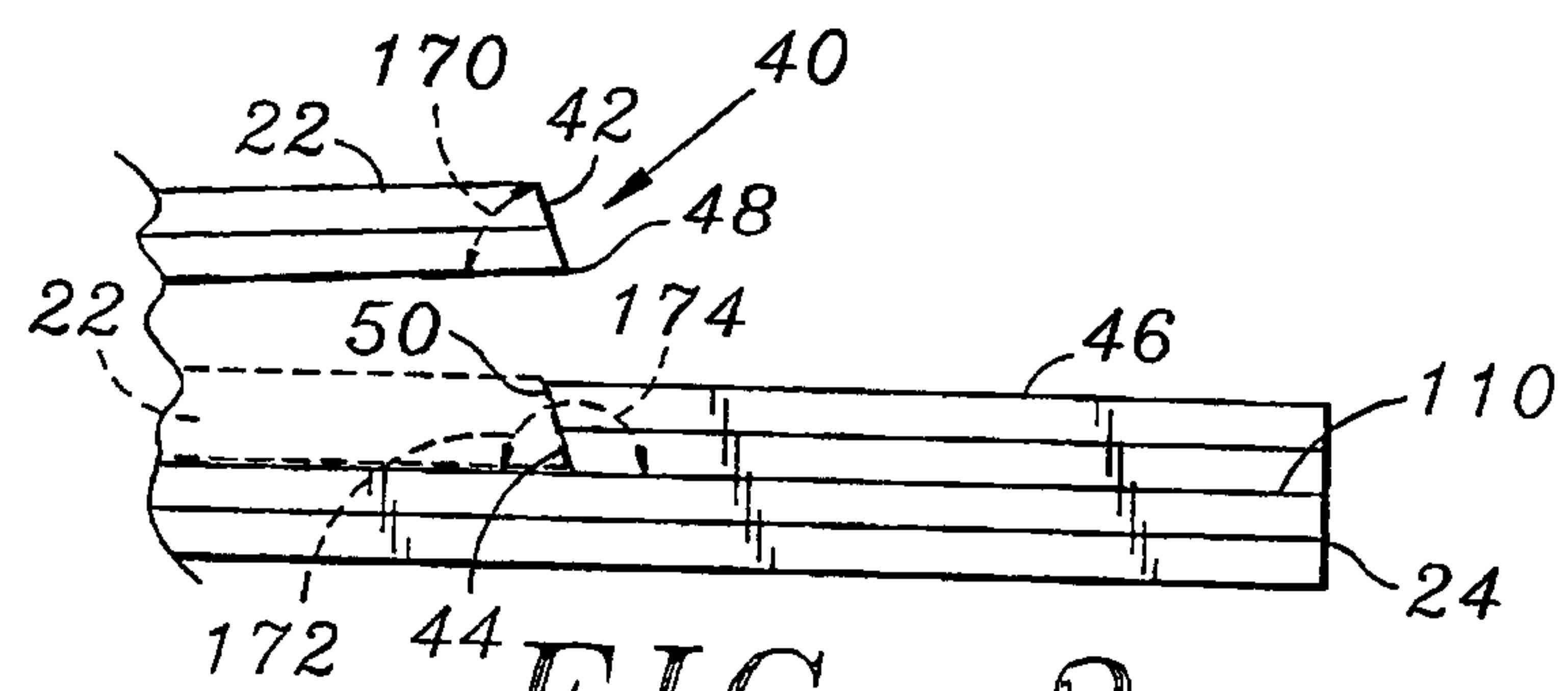
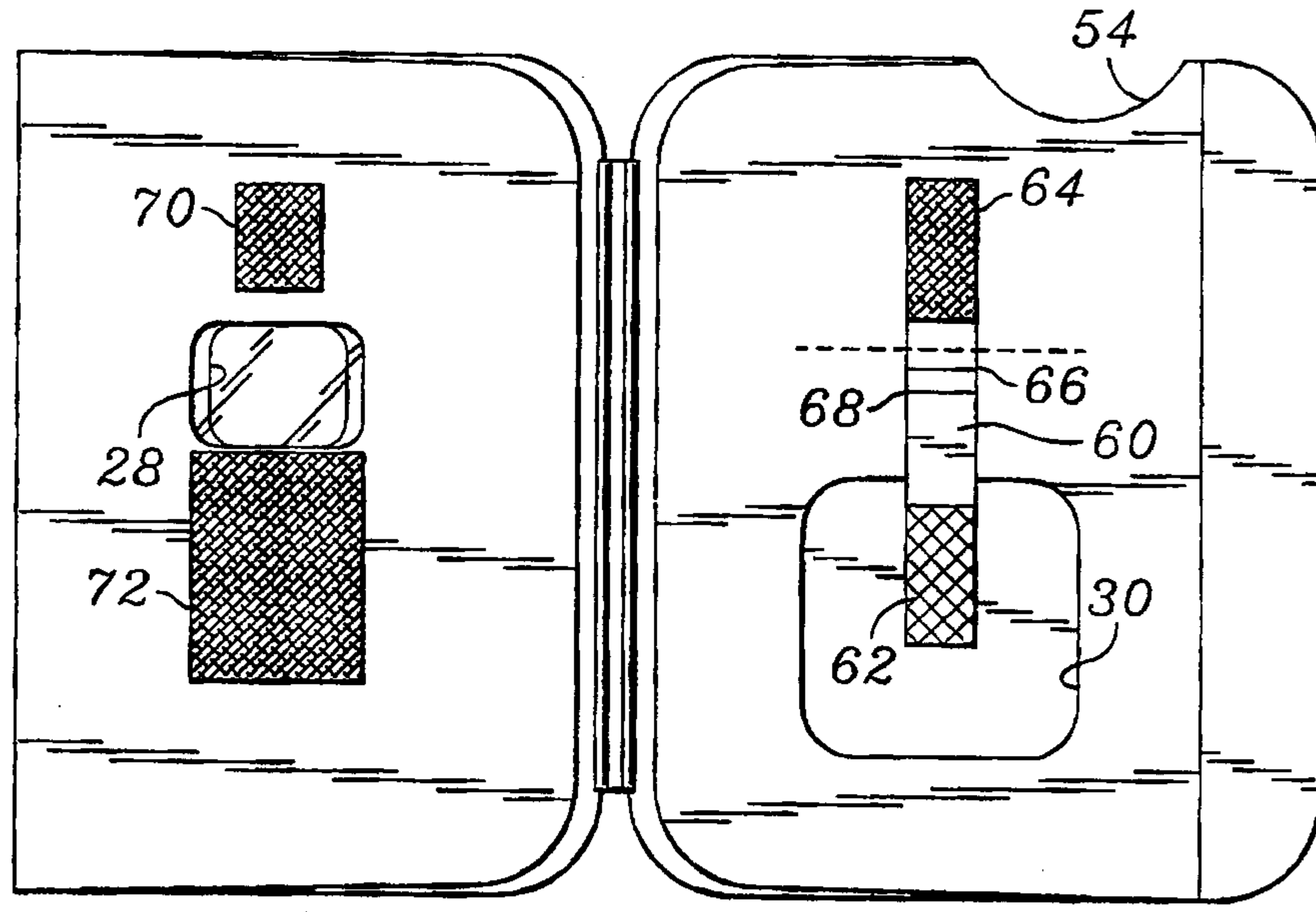


FIG. 3



20

FIG. 4

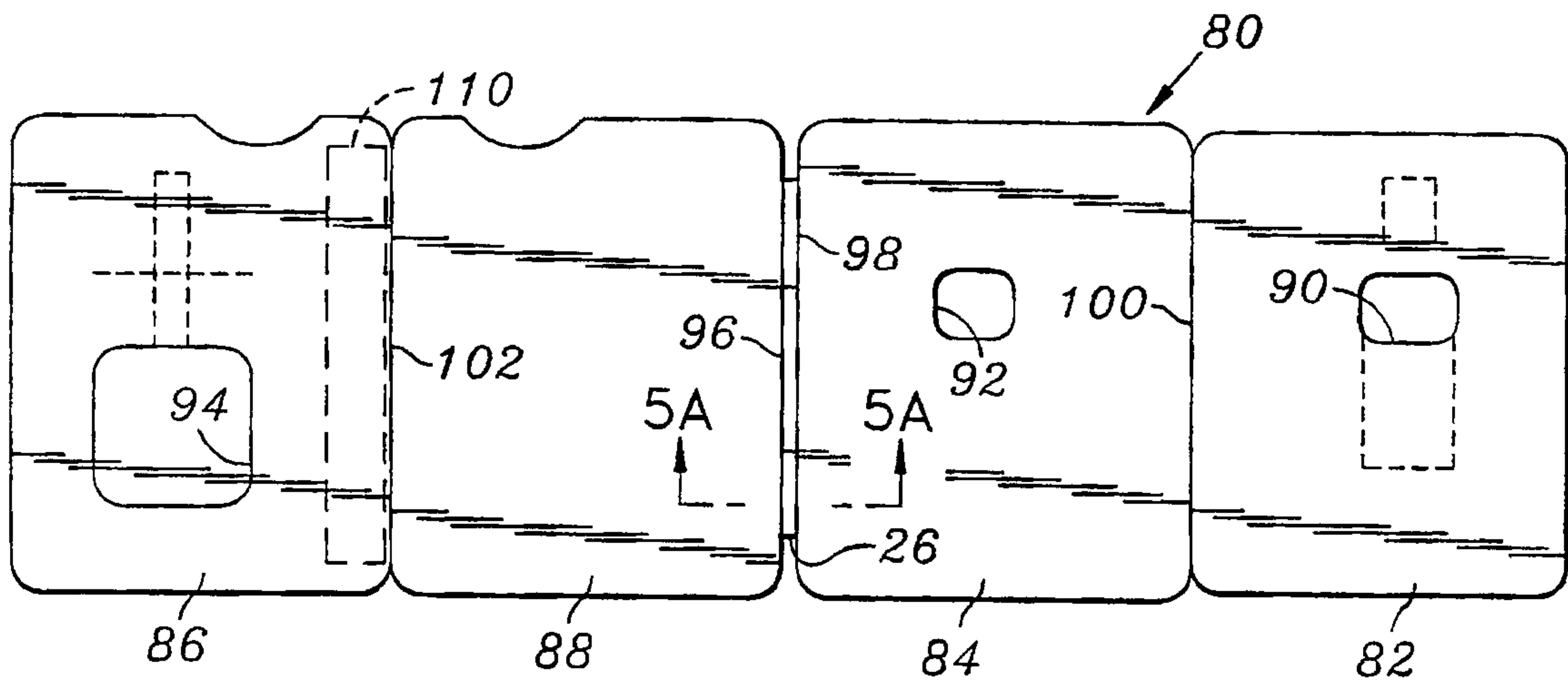


FIG. 5

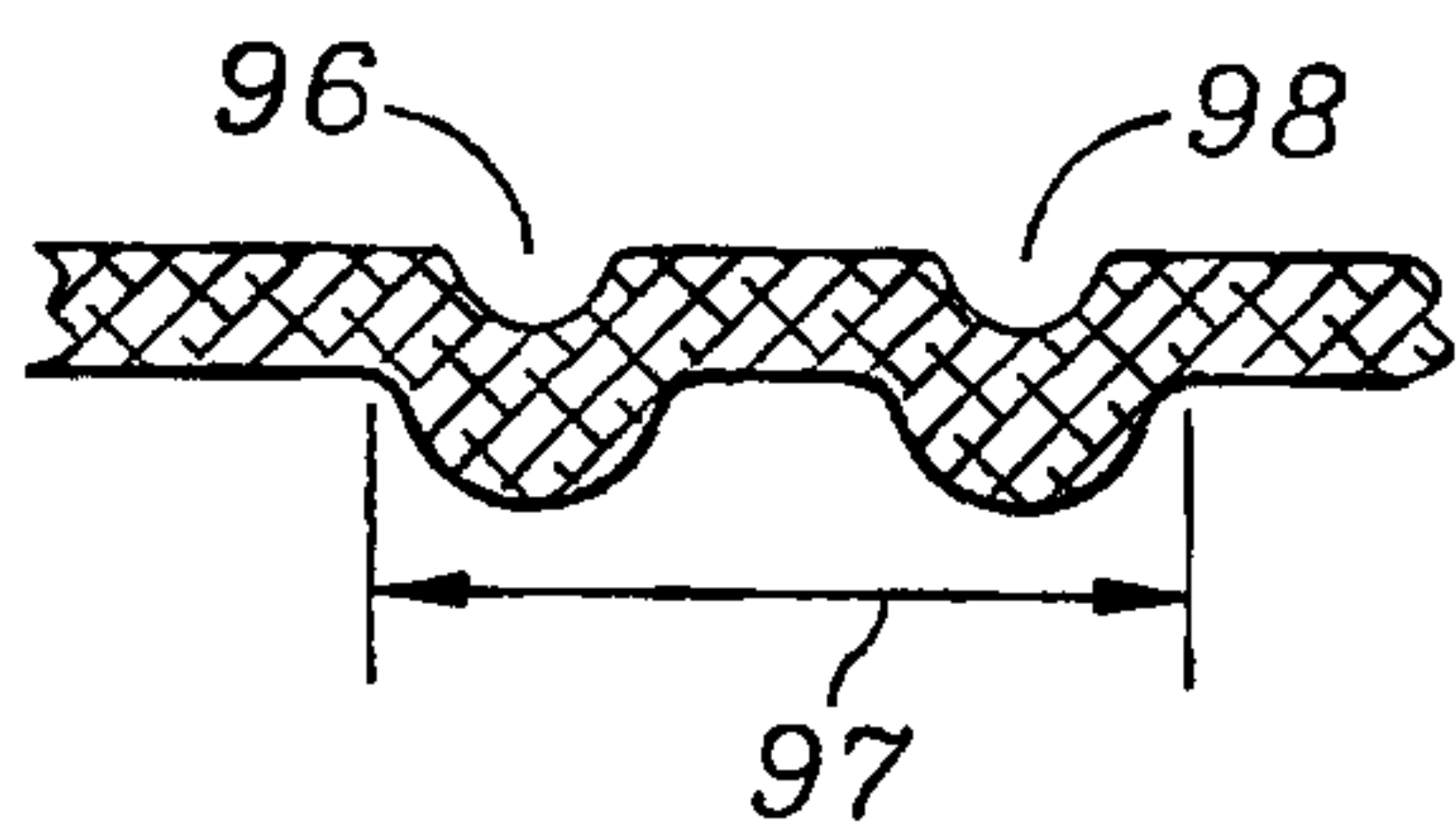


FIG. 5A

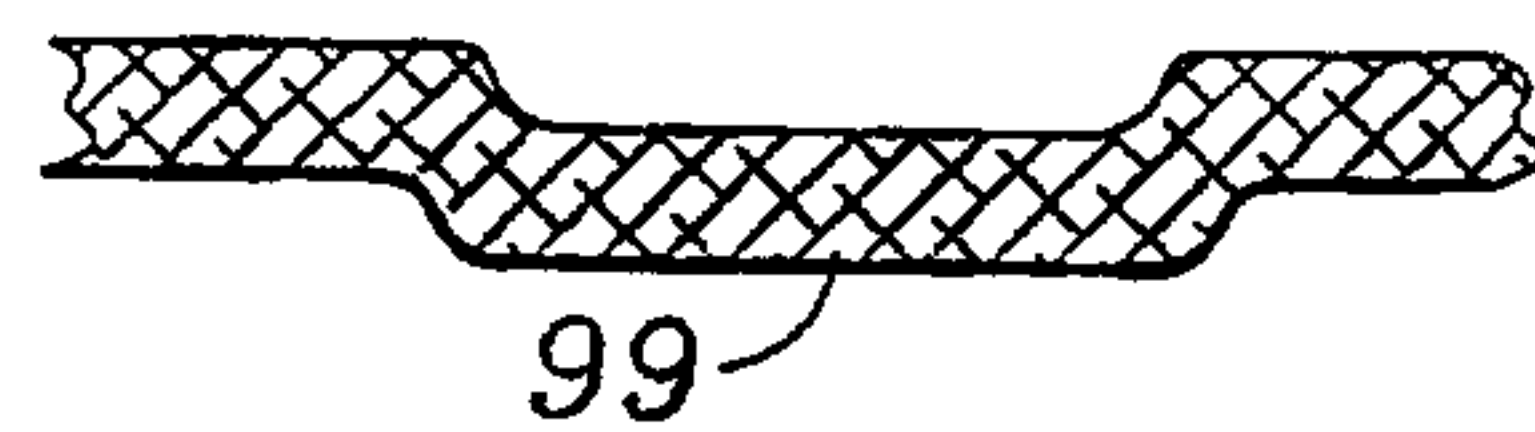


FIG. 5B

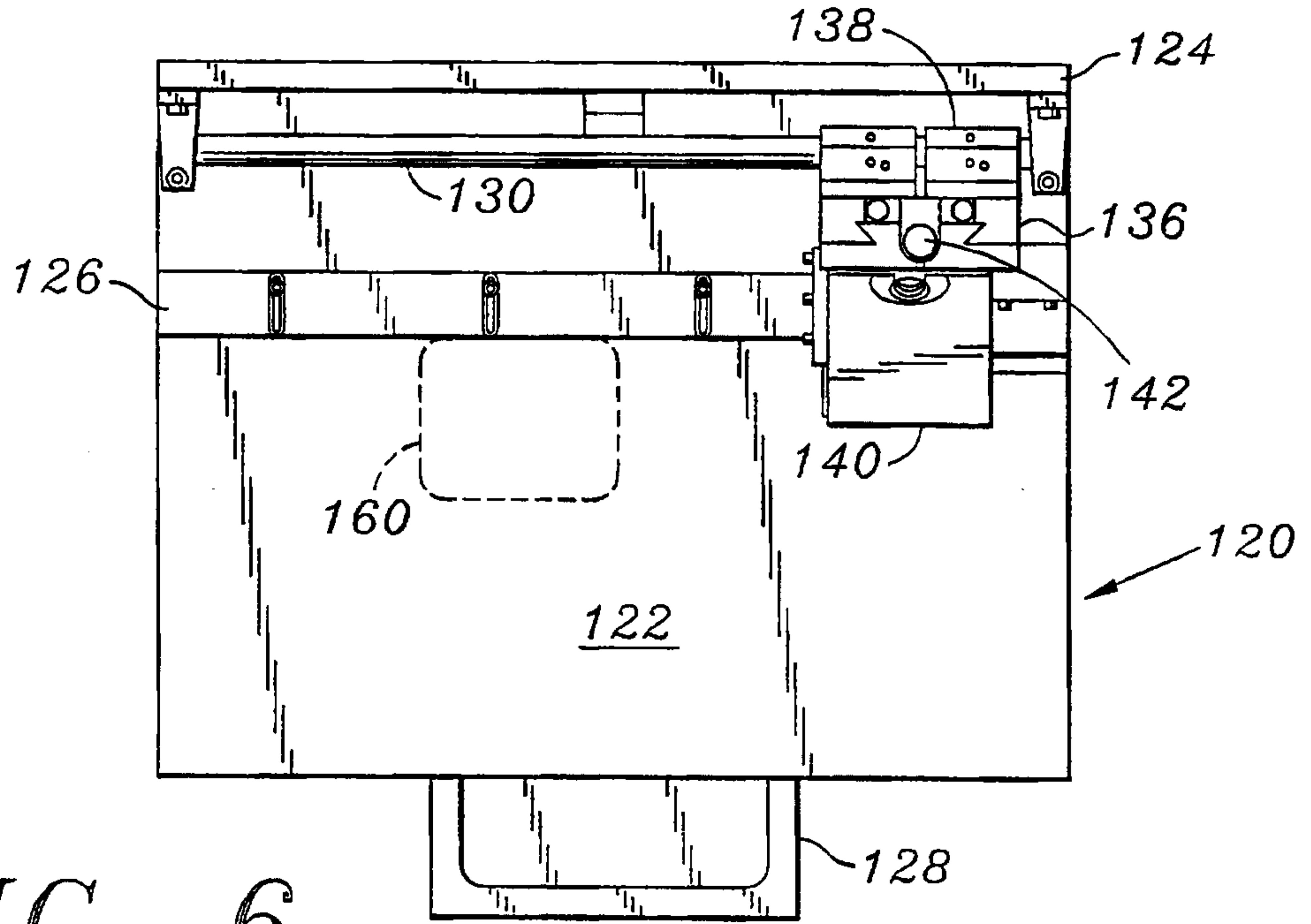


FIG. 6

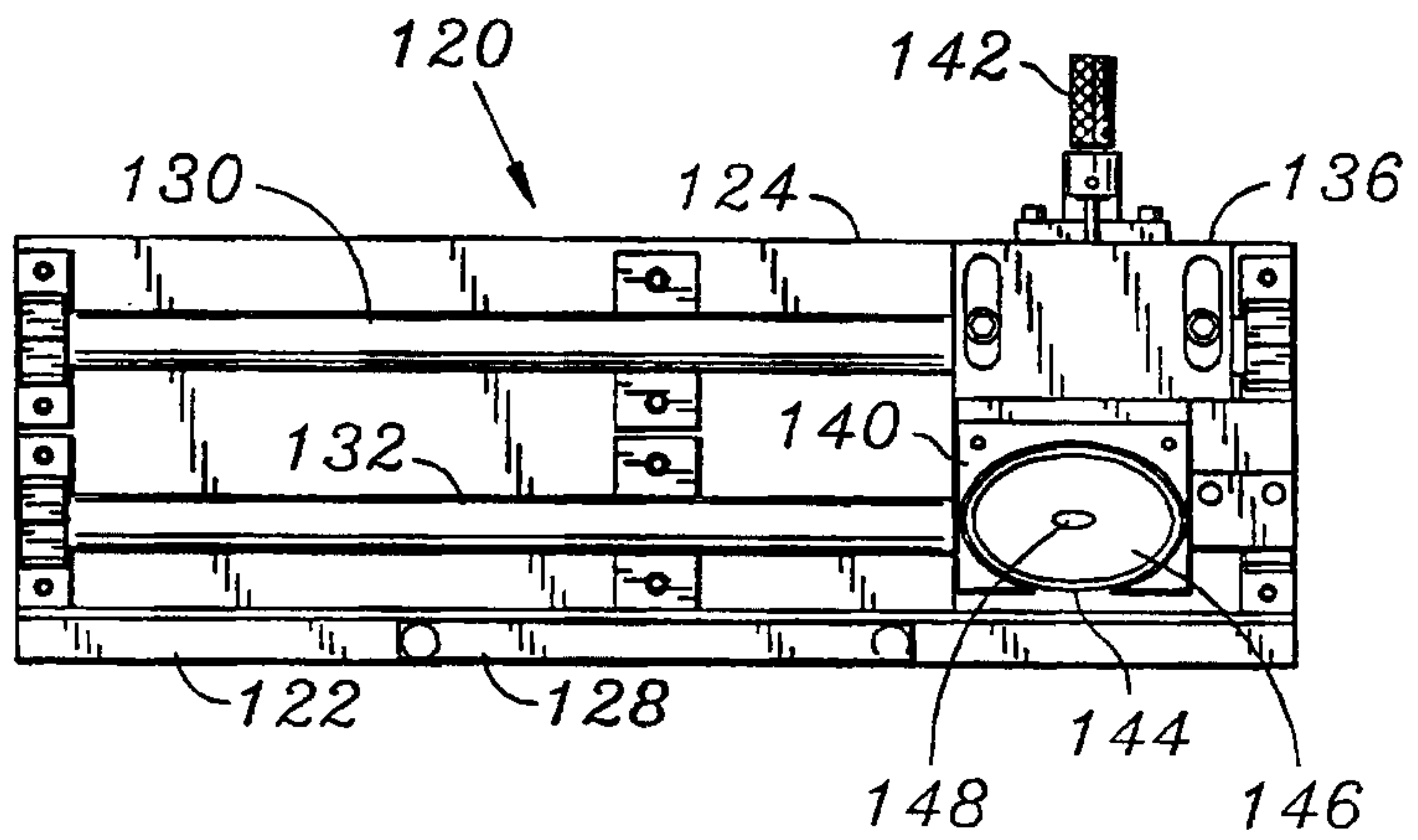


FIG. 7

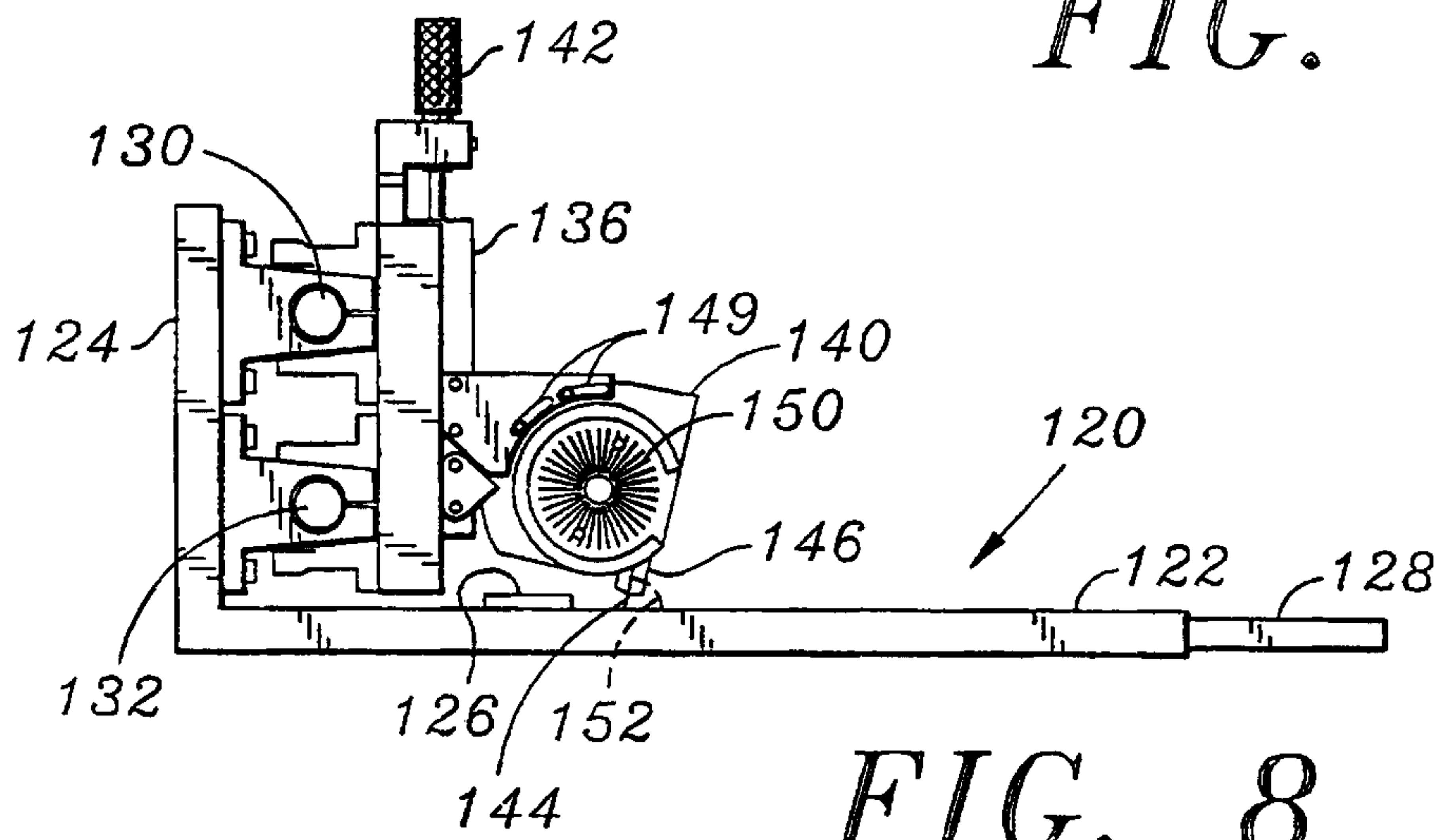


FIG. 8

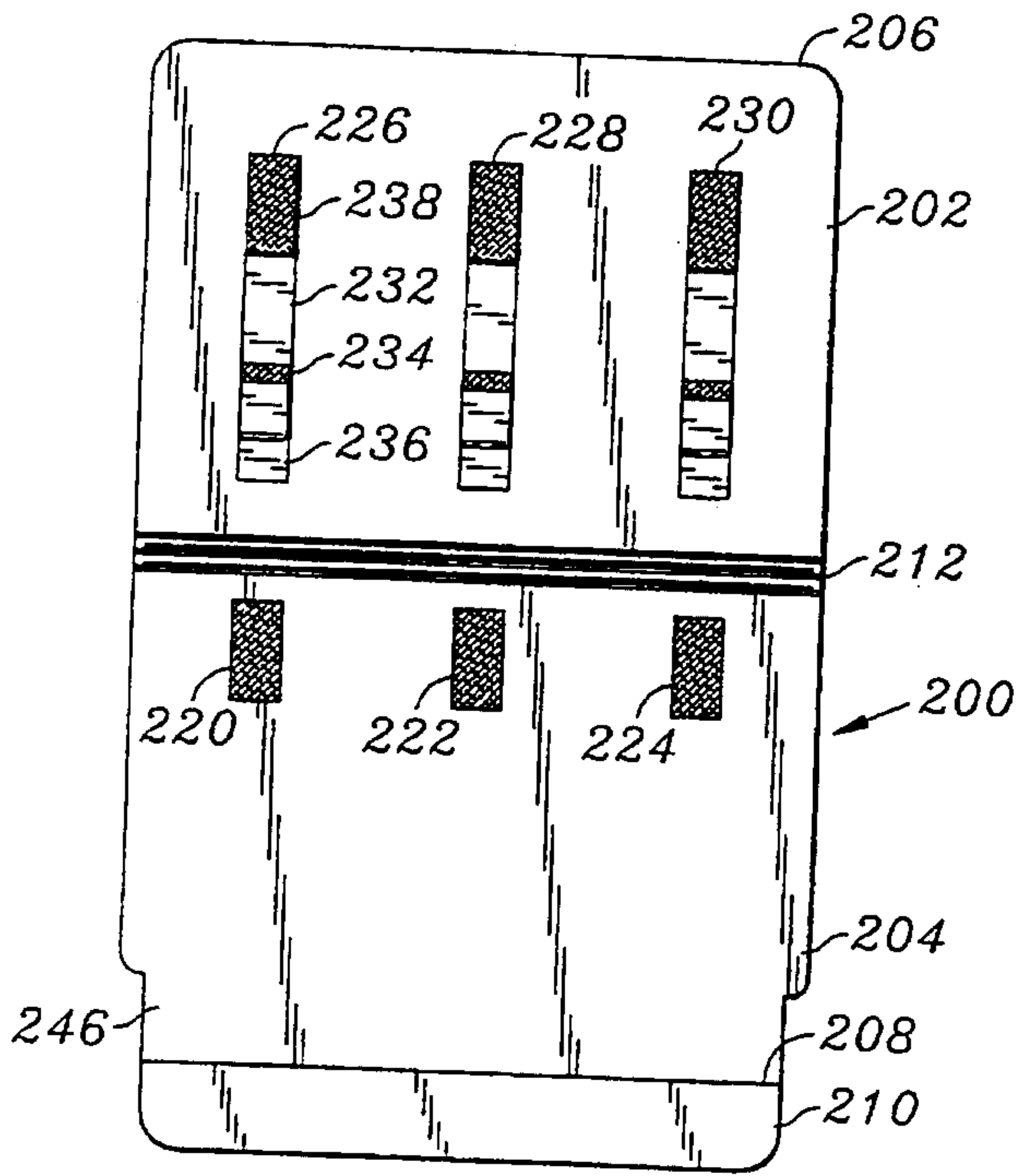


FIG. 9

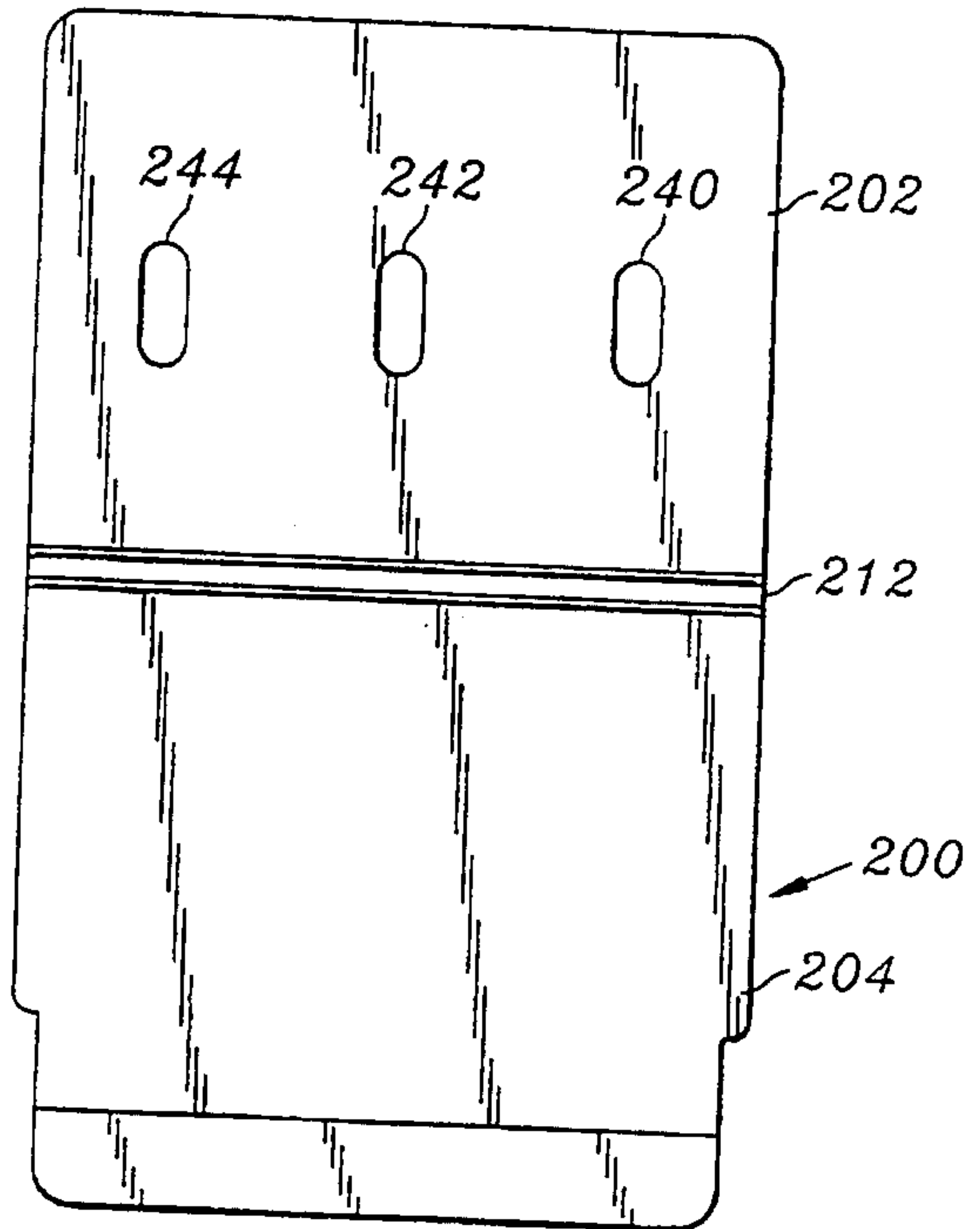


FIG. 10

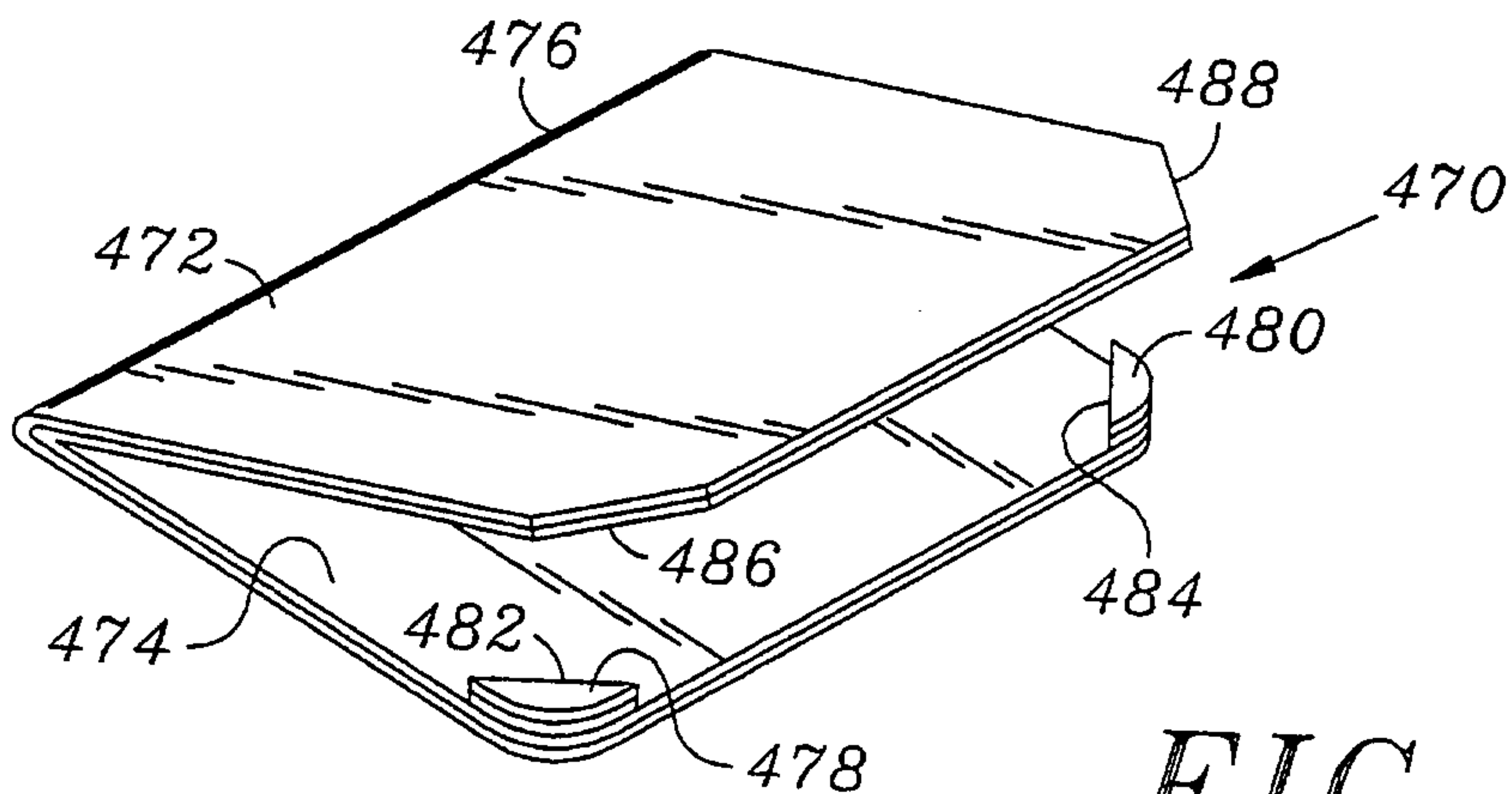


FIG. 15

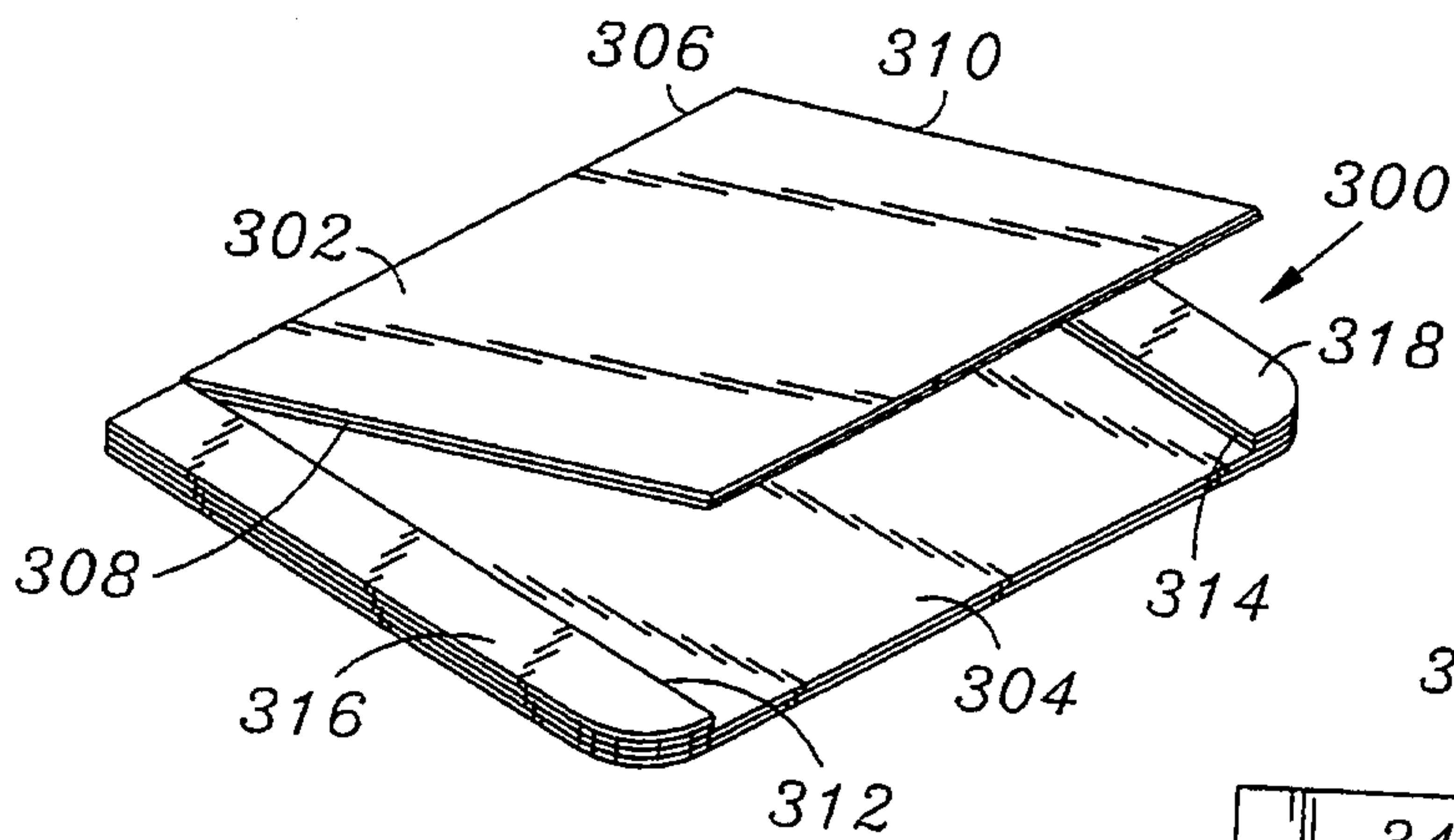


FIG. 11

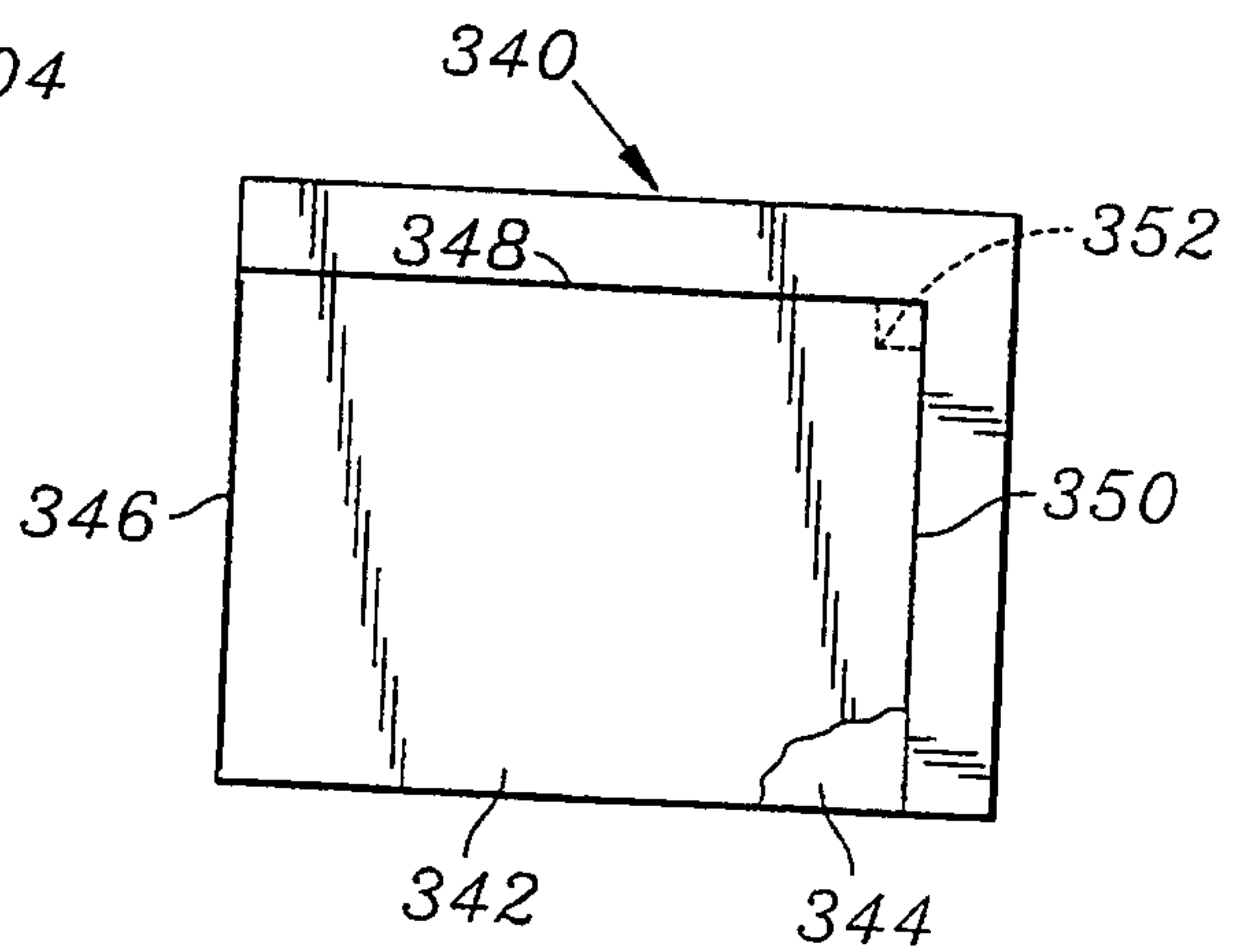


FIG. 12

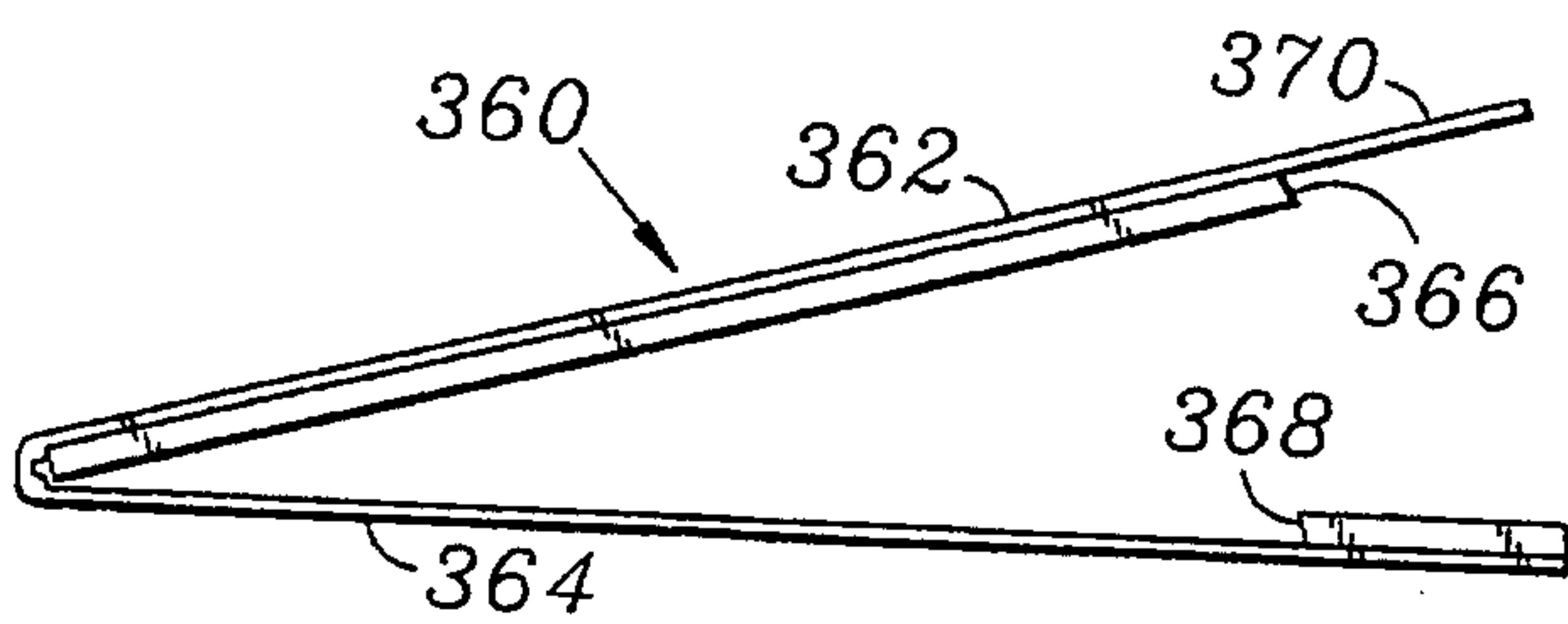


FIG. 13

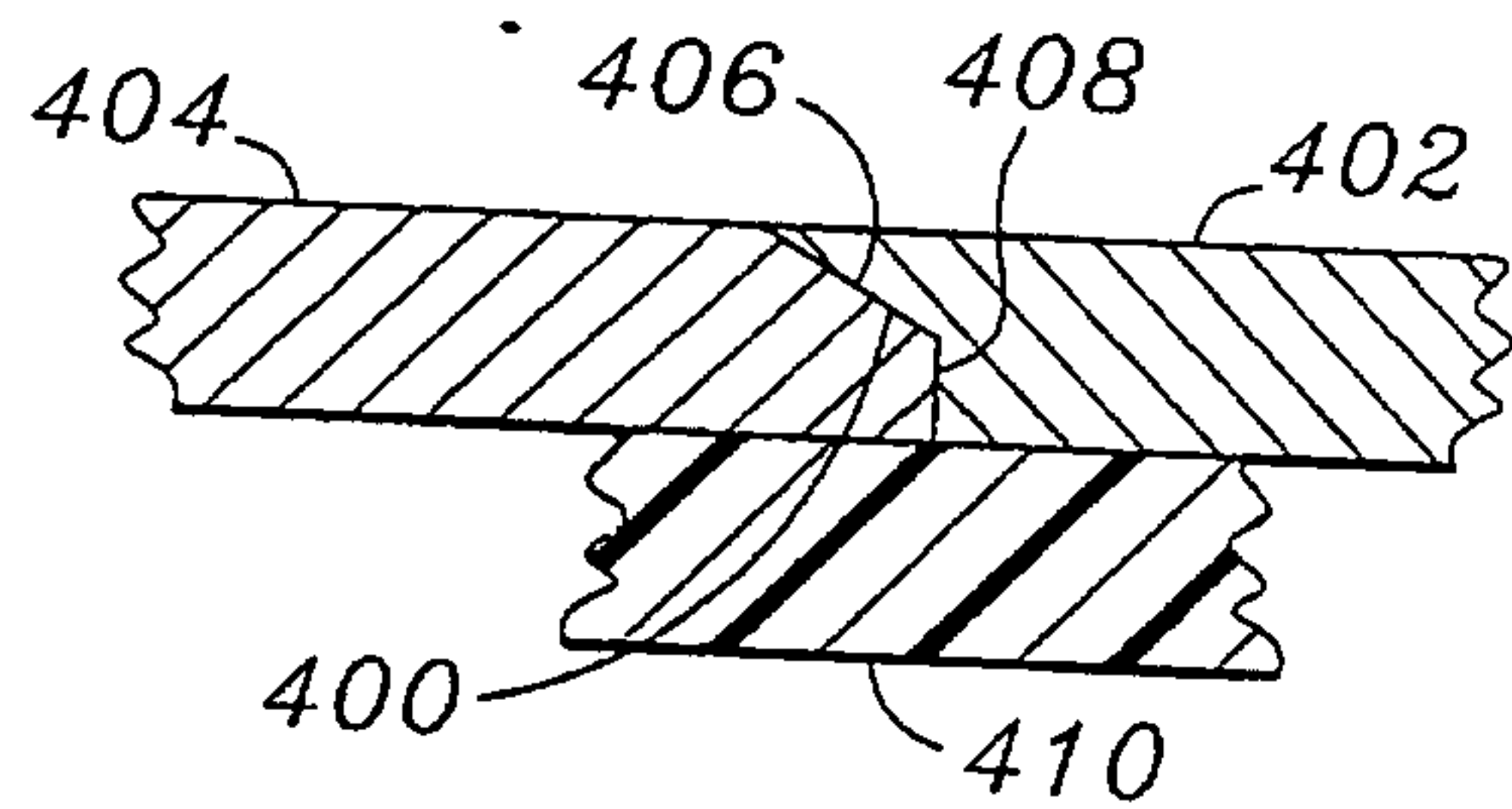


FIG. 14A

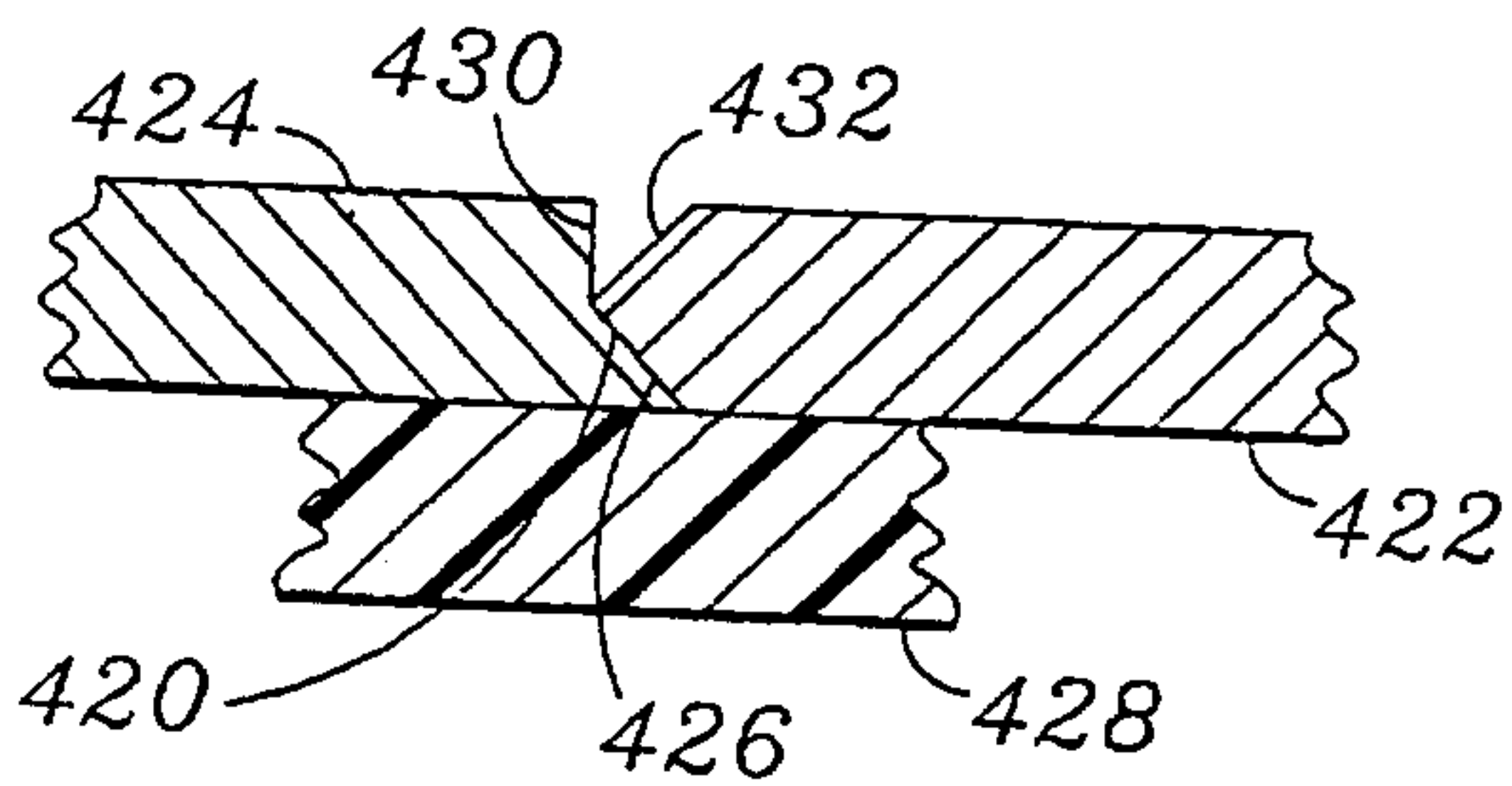


FIG. 14B

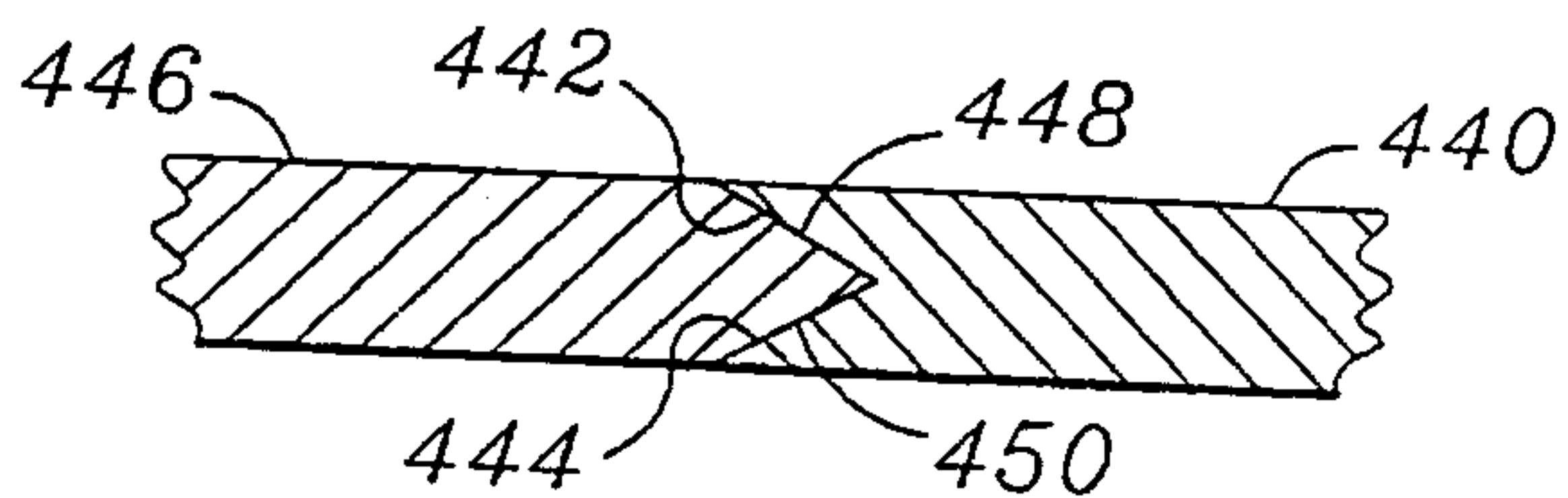


FIG. 14C

