



US00D583237S

(12) **United States Design Patent**
Fuchs

(10) **Patent No.:** **US D583,237 S**

(45) **Date of Patent:** **** Dec. 23, 2008**

(54) **CLOSURE**

(75) Inventor: **Timothy J. Fuchs**, Perrysburg, OH (US)

(73) Assignee: **Rexam Closure Systems Inc.**,
Perrysburg, OH (US)

(**) Term: **14 Years**

(21) Appl. No.: **29/307,450**

(22) Filed: **Apr. 21, 2008**

(51) **LOC (8) Cl.** **09-07**

(52) **U.S. Cl.** **D9/453; D9/454**

(58) **Field of Classification Search** D9/505,
D9/453, 452, 449, 446, 434, 435; D24/121;
D12/197; 220/780, 781, 288, 254.3; 215/329,
215/252, 237, 230, 216; 600/577

See application file for complete search history.

(56) **References Cited**

U.S. PATENT DOCUMENTS

D315,507 S *	3/1991	Ochs	D9/453
5,129,530 A *	7/1992	Fuchs	215/252
D465,731 S *	11/2002	Brant et al.	D9/453
D470,413 S	2/2003	Seidita		
D507,745 S	7/2005	Pitman et al.		
D508,650 S	8/2005	Pitman et al.		
D510,269 S	10/2005	Pitman et al.		
D510,523 S	10/2005	Pitman et al.		

D513,586 S	1/2006	Pitman et al.		
D515,922 S	2/2006	Pitman et al.		
D515,923 S	2/2006	Pitman et al.		
D519,373 S	4/2006	Pitman et al.		
D534,802 S *	1/2007	German	D9/453
D535,189 S	1/2007	Pitman et al.		
D542,655 S *	5/2007	Szczesniak	D9/453
D547,443 S *	7/2007	Sudo	D24/121
D552,739 S *	10/2007	Green	D24/186
D574,240 S *	8/2008	Szczesniak	D9/453

* cited by examiner

Primary Examiner—Susan B Hattan

(74) *Attorney, Agent, or Firm*—Reising, Ethington, Barnes, Kisselle, P.C.

(57) **CLAIM**

I claim an ornamental design for a closure, as shown and described.

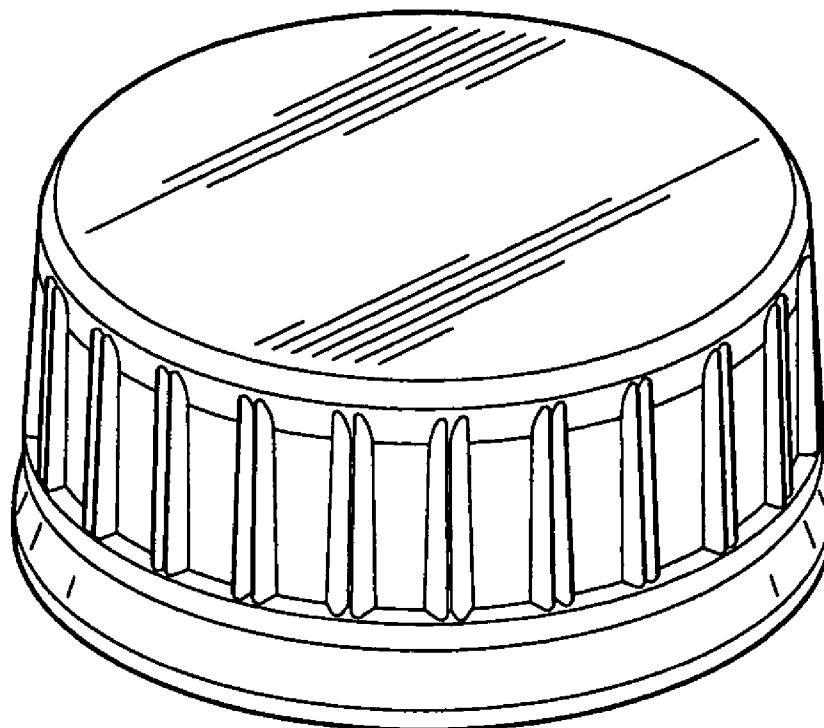
DESCRIPTION

FIG. 1 is a perspective view of a closure in accordance with the present invention.

FIG. 2 is a top plan view of the closure in FIG. 1, the bottom of the closure forming no part of the claimed design; and,

FIG. 3 is a side elevational view of the closure taken from the right in FIG. 2, the side elevational views from the top, left and bottom of FIG. 2 being identical to FIG. 3.

1 Claim, 1 Drawing Sheet



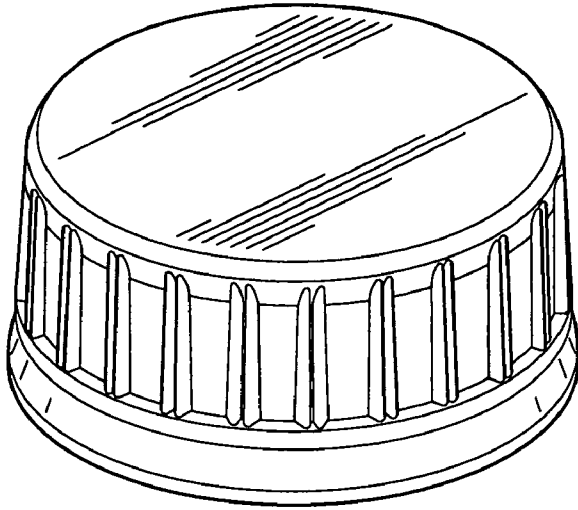


FIG. 1

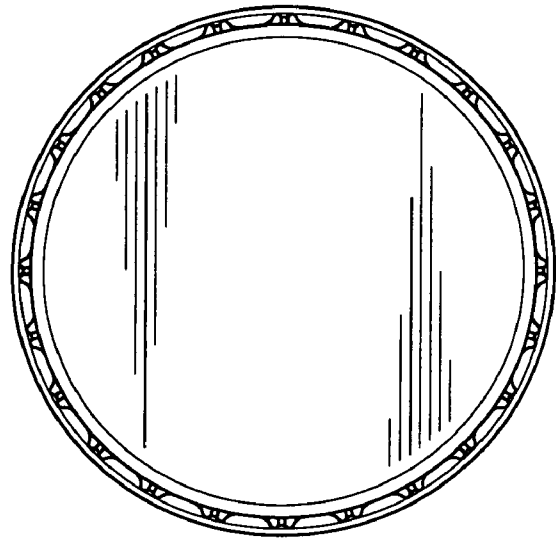


FIG. 2

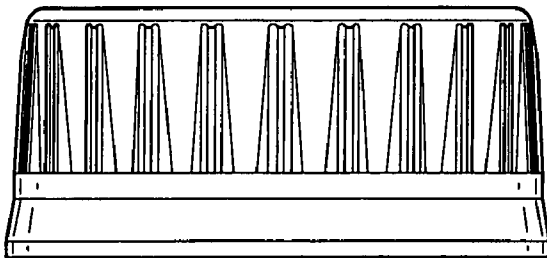


FIG. 3