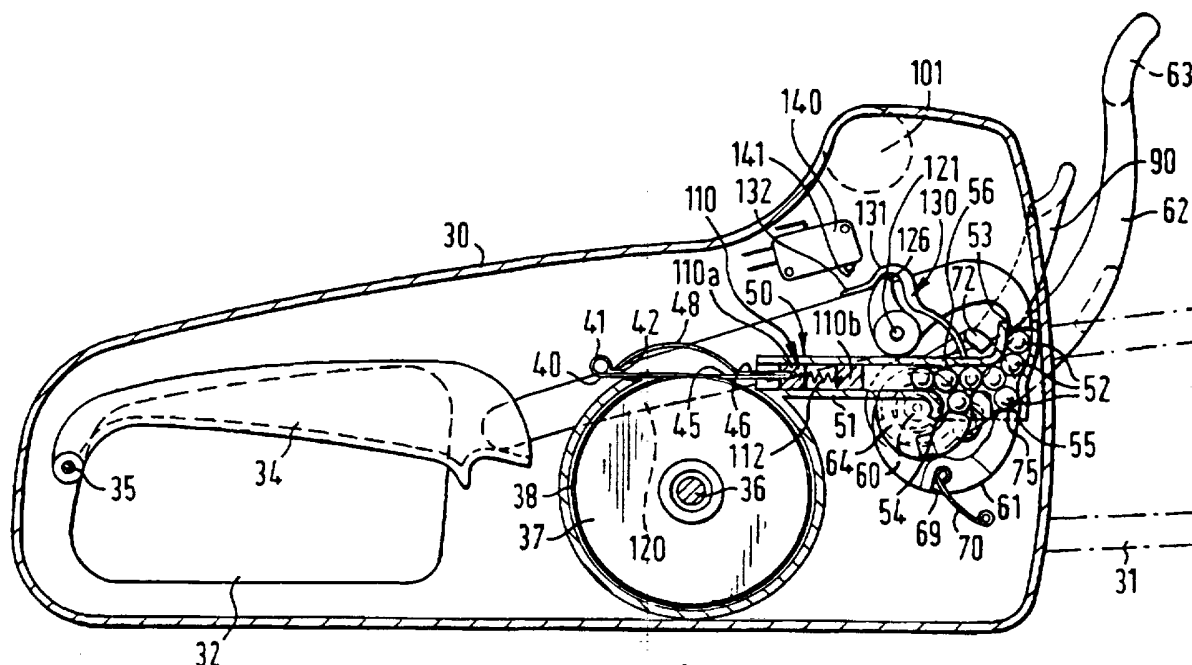




INTERNATIONAL APPLICATION PUBLISHED UNDER THE PATENT COOPERATION TREATY (PCT)

<p>(51) International Patent Classification ⁵ : B27B 17/08</p>	<p>A3</p>	<p>(11) International Publication Number: WO 94/13441 (43) International Publication Date: 23 June 1994 (23.06.94)</p>
<p>(21) International Application Number: PCT/GB93/02584 (22) International Filing Date: 17 December 1993 (17.12.93) (30) Priority Data: 9226261.7 17 December 1992 (17.12.92) GB (71) Applicant (for all designated States except US): GOBLIN LIMITED [GB/GB]; Cross Green Approach, Leeds LS9 OSX (GB). (72) Inventor; and (75) Inventor/Applicant (for US only): KUPLAS, Harbey [GB/GB]; Meadow Bank, Shawbarn Lane, Wetherby, West Yorkshire LS22 4HF (GB). (74) Agents: SMITH, Norman, Ian et al.; F.J. Cleveland & Company, 40-43 Chancery Lane, London WC2A 1JQ (GB).</p>		<p>(81) Designated States: AT, AU, BB, BG, BR, BY, CA, CH, CZ, DE, DK, ES, FI, GB, HU, JP, KP, KR, KZ, LK, LU, MG, MN, MW, NL, NO, NZ, PL, PT, RO, RU, SD, SE, SK, UA, US, VN, European patent (AT, BE, CH, DE, DK, ES, FR, GB, GR, IE, IT, LU, MC, NL, PT, SE), OAPI patent (BF, BJ, CF, CG, CI, CM, GA, GN, ML, MR, NE, SN, TD, TG).</p> <p>Published With international search report. Before the expiration of the time limit for amending the claims and to be republished in the event of the receipt of amendments.</p> <p>(88) Date of publication of the international search report: 4 August 1994 (04.08.94)</p>

(54) Title: SAFETY MECHANISM FOR POWER TOOL



(57) Abstract

An actuating mechanism for a power operated tool such as a chainsaw includes one or more manually operable members (34, 62, 90) which are mounted on the housing (30) of the tool. A braking mechanism (37, 38) is associated with the drive means of the tool and the braking mechanism normally applies a braking action to the drive means. The manually operable members (34, 62, 90) are operatively coupled to the braking mechanism (37, 38) by a plurality of balls (52) disposed in a passage in such a way that movement of each manually operable member results in a given movement of the balls (52). When a predetermined number of members have been operated the braking action is released.

FOR THE PURPOSES OF INFORMATION ONLY

Codes used to identify States party to the PCT on the front pages of pamphlets publishing international applications under the PCT.

AT	Austria	GB	United Kingdom	MR	Mauritania
AU	Australia	GE	Georgia	MW	Malawi
BB	Barbados	GN	Guinea	NE	Niger
BE	Belgium	GR	Greece	NL	Netherlands
BF	Burkina Faso	HU	Hungary	NO	Norway
BG	Bulgaria	IE	Ireland	NZ	New Zealand
BJ	Benin	IT	Italy	PL	Poland
BR	Brazil	JP	Japan	PT	Portugal
BY	Belarus	KE	Kenya	RO	Romania
CA	Canada	KG	Kyrgystan	RU	Russian Federation
CF	Central African Republic	KP	Democratic People's Republic of Korea	SD	Sudan
CG	Congo	KR	Republic of Korea	SE	Sweden
CH	Switzerland	KZ	Kazakhstan	SI	Slovenia
CI	Côte d'Ivoire	LI	Liechtenstein	SK	Slovakia
CN	China	LK	Sri Lanka	SN	Senegal
CM	Cameroon	LU	Luxembourg	TD	Chad
CN	China	LV	Latvia	TG	Togo
CS	Czechoslovakia	MC	Monaco	TJ	Tajikistan
CZ	Czech Republic	MD	Republic of Moldova	TT	Trinidad and Tobago
DE	Germany	MG	Madagascar	UA	Ukraine
DK	Denmark	ML	Mali	US	United States of America
ES	Spain	MN	Mongolia	UZ	Uzbekistan
FI	Finland			VN	Viet Nam
FR	France				
GA	Gabon				

A. CLASSIFICATION OF SUBJECT MATTER
IPC 5 B27B17/08

According to International Patent Classification (IPC) or to both national classification and IPC

B. FIELDS SEARCHED

Minimum documentation searched (classification system followed by classification symbols)
IPC 5 B27B

Documentation searched other than minimum documentation to the extent that such documents are included in the fields searched

Electronic data base consulted during the international search (name of data base and, where practical, search terms used)

C. DOCUMENTS CONSIDERED TO BE RELEVANT

Category *	Citation of document, with indication, where appropriate, of the relevant passages	Relevant to claim No.
X	US,A,3 793 727 (H.E. MOORE) 26 February 1974	1,2,12
Y	see column 4, line 2 - line 35 see column 5, line 33 - line 40 see column 5, line 56 - line 64 see column 6, line 33 - line 44 see figure 2	3,4
Y	--- US,A,4 335 514 (C. OVERY ET AL.) 22 June 1982 see column 3, line 22 - line 27 see abstract; figures 2-5	3,4
A	--- US,A,5 118 229 (A.C. LYONS ET AL.) 2 June 1992 see column 7, line 65 - column 8, line 30 see figures 3-6	5

Further documents are listed in the continuation of box C.

Patent family members are listed in annex.

* Special categories of cited documents :

- "A" document defining the general state of the art which is not considered to be of particular relevance
 "E" earlier document but published on or after the international filing date
 "L" document which may throw doubts on priority claim(s) or which is cited to establish the publication date of another citation or other special reason (as specified)
 "O" document referring to an oral disclosure, use, exhibition or other means
 "P" document published prior to the international filing date but later than the priority date claimed

- "T" later document published after the international filing date or priority date and not in conflict with the application but cited to understand the principle or theory underlying the invention
 "X" document of particular relevance; the claimed invention cannot be considered novel or cannot be considered to involve an inventive step when the document is taken alone
 "Y" document of particular relevance; the claimed invention cannot be considered to involve an inventive step when the document is combined with one or more other such documents, such combination being obvious to a person skilled in the art.
 "&" document member of the same patent family

Date of the actual completion of the international search

5 April 1994

Date of mailing of the international search report

15.06.94

Name and mailing address of the ISA

European Patent Office, P.B. 5818 Patentlaan 2
 NL - 2280 HV Rijswijk
 Tel. (: 31-70) 340-2040, Tx. 31 651 epo nl,
 Fax: (: 31-70) 340-3016

Authorized officer

MOET, H

INTERNATIONAL SEARCH REPORT

International application No.

PCT/GB93/02584

Box I Observations where certain claims were found unsearchable (Continuation of item 1 of first sheet)

This international search report has not been established in respect of certain claims under Article 17(2)(a) for the following reasons:

1. Claims Nos.:
because they relate to subject matter not required to be searched by this Authority, namely:

2. Claims Nos.:
because they relate to parts of the international application that do not comply with the prescribed requirements to such an extent that no meaningful international search can be carried out, specifically:

3. Claims Nos.:
because they are dependent claims and are not drafted in accordance with the second and third sentences of Rule 6.4(a).

Box II Observations where unity of invention is lacking (Continuation of item 2 of first sheet)

This International Searching Authority found multiple inventions in this international application, as follows:

For further information see PCT/ISA/206 sent on 21.04.94.

1. As all required additional search fees were timely paid by the applicant, this international search report covers all searchable claims.

2. As all searchable claims could be searched without effort justifying an additional fee, this Authority did not invite payment of any additional fee.

3. As only some of the required additional search fees were timely paid by the applicant, this international search report covers only those claims for which fees were paid, specifically claims Nos.:

4. No required additional search fees were timely paid by the applicant. Consequently, this international search report is restricted to the invention first mentioned in the claims; it is covered by claims Nos.:

1-10 and 12

Remark on Protest

The additional search fees were accompanied by the applicant's protest.

No protest accompanied the payment of additional search fees.

INTERNATIONAL SEARCH REPORT

...information on patent family members

International Application No

PCT/GB 93/02584

Patent document cited in search report	Publication date	Patent family member(s)	Publication date
US-A-3793727	26-02-74	CA-A- 962920	18-02-75
US-A-4335514	22-06-82	WO-A- 8200437 EP-A, B 0057182	18-02-82 11-08-82
US-A-5118229	02-06-92	CA-A- 2108262 WO-A- 9221474	05-12-92 10-12-92