



US00D753785S

(12) **United States Design Patent**
Silvers et al.

(10) **Patent No.:** **US D753,785 S**

(45) **Date of Patent:** **** Apr. 12, 2016**

(54) **RETICLE FOR A RIFLESCOPE OR OTHER PROJECTILE-WEAPON AIMING DEVICE**

- (71) Applicant: **Leupold & Stevens, Inc.**, Beaverton, OR (US)
- (72) Inventors: **Robert Silvers**, Marshfield, MA (US); **Martin Koornneef**, Beaverton, OR (US); **Raymond G. Brock**, Beaverton, OR (US); **Stephen R. Hodge**, North Plains, OR (US); **Richard Bradley Brumfield**, Wilsonville, OR (US)
- (73) Assignee: **Leupold & Stevens, Inc.**, Beaverton, OR (US)
- (**) Term: **14 Years**
- (21) Appl. No.: **29/493,632**
- (22) Filed: **Jun. 11, 2014**

Related U.S. Application Data

- (62) Division of application No. 29/437,798, filed on Nov. 20, 2012, now Pat. No. Des. 709,588.

(51) **LOC (10) Cl.** **22-01**

(52) **U.S. Cl.**

USPC **D22/109**

(58) **Field of Classification Search**

USPC D22/109; 33/227, 297, 298; D16/130-134; 42/111, 113, 130, 122, 42/124, 134-145; 235/414; 356/21, 356/139.02, 250, 251, 252, 29; 89/41, 19, 89/161, 200-204; 359/424, 428; D14/404

CPC F41G 1/00; F41G 1/01; F41G 1/02; F41G 1/06; F41G 1/065; F41G 1/08; F41G 1/10; F41G 1/12; F41G 1/14; F41G 1/30; F41G 1/32; F41G 1/38; F41G 1/40; F41G 1/42; F41G 1/44; F41G 1/46; F41G 1/383; F41G 1/387; F41G 1/393; F41G 3/00; F41G 3/005; F41G 3/02; F41G 3/04; F41G 3/06; F41G 3/14; F41G 11/002; F41G 11/003; F41G 11/004; F41G 11/005

See application file for complete search history.

(56) **References Cited**

U.S. PATENT DOCUMENTS

- 1,190,121 A 7/1916 Critchett
- 2,464,521 A 3/1949 McCall

(Continued)

FOREIGN PATENT DOCUMENTS

DE	2000614	7/1971
WO	WO-2012/100015	7/2012
WO	WO-2013/106280	7/2013

OTHER PUBLICATIONS

Silvers, et al., U.S. Appl. No. 14/085,759, filed Nov. 20, 2013, titled Projectile-Weapon Reticle with Holdover Aiming Features for Multiple Projectile Velocities.

(Continued)

Primary Examiner — Michael A Pratt

(74) *Attorney, Agent, or Firm* — Stoel Rives LLP; Robert R. Teel

(57) **CLAIM**

We claim the ornamental design for a reticle for a rifle scope or other projectile-weapon aiming device, as shown and described.

DESCRIPTION

FIG. 1 is a view of a reticle for a rifle scope or other projectile-weapon aiming device, as viewed at low magnification through an eyepiece end of a rifle scope, according to a first embodiment;

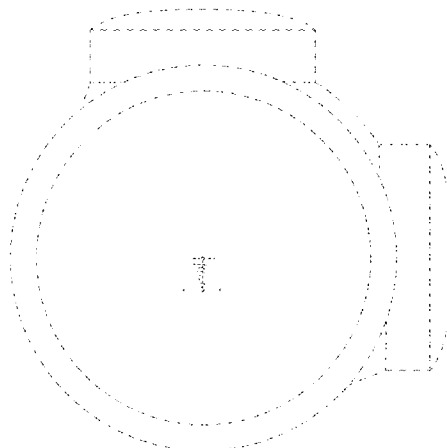
FIG. 2 is a view of the reticle of FIG. 1, as viewed at high magnification through an eyepiece end of a rifle scope;

FIG. 3 is a view of a reticle for a rifle scope or other projectile-weapon aiming device, as viewed at low magnification through an eyepiece end of a rifle scope, according to a second embodiment;

FIG. 4 is a view of the reticle of FIG. 3, as viewed at high magnification through an eyepiece end of a rifle scope; and, FIG. 5 is an isometric view of an environment of use for the reticles of FIGS. 1-4.

In FIGS. 1-5, the broken lines indicate environmental features that form no part of the claimed design. Specifically, in FIGS. 1-4, the tortoise (or turtle) and hare (or rabbit) indicia in broken lines form no part of the claimed design. In FIGS. 3 and 4, the "YDS" letters and upper left and upper right aiming marks in broken lines form no part of the claimed design.

1 Claim, 5 Drawing Sheets



(56)

References Cited

U.S. PATENT DOCUMENTS

3,058,391 A 10/1962 Leupold
 3,190,003 A 6/1965 O'Brien
 3,297,389 A 1/1967 Gibson
 3,392,450 A 7/1968 Herter et al.
 3,431,652 A 3/1969 Leatherwood
 3,492,733 A 2/1970 Leatherwood
 3,540,256 A 11/1970 Thompson
 3,826,012 A 7/1974 Pachmayr
 3,948,587 A 4/1976 Rubbert
 4,248,496 A 2/1981 Akin, Jr. et al.
 4,403,421 A 9/1983 Shepherd
 6,032,374 A 3/2000 Sammut
 6,269,581 B1 8/2001 Groh
 6,357,158 B1 3/2002 Smith, III
 6,591,537 B2 7/2003 Smith
 7,100,320 B2 9/2006 Verdugo
 7,185,455 B2 3/2007 Zaderey
 D567,326 S 4/2008 Pride et al.
 D589,581 S * 3/2009 Peters D22/109
 7,603,804 B2 10/2009 Zaderey et al.
 7,654,029 B2 2/2010 Peters et al.
 7,793,456 B1 9/2010 Lacorte
 7,832,137 B2 11/2010 Sammut et al.
 7,937,878 B2 5/2011 Sammut et al.
 D651,682 S * 1/2012 Beckett D22/109
 8,353,454 B2 1/2013 Sammut et al.
 D679,776 S 4/2013 Bracken et al.
 D679,777 S 4/2013 Bracken et al.
 D680,187 S 4/2013 Bracken et al.
 D709,588 S * 7/2014 Silvers D22/109
 D716,409 S * 10/2014 Mikroulis D22/109
 D716,905 S * 11/2014 Beckett D22/109
 D720,033 S * 12/2014 Mikroulis D22/109
 9,038,307 B2 5/2015 Silvers et al.
 9,068,799 B1 * 6/2015 Wu F41G 1/473
 2005/0005495 A1 1/2005 Smith
 2005/0188601 A1 9/2005 Verdugo
 2006/0010757 A1 1/2006 Smith, III

2006/0026887 A1 2/2006 Verdugo
 2006/0260171 A1 11/2006 Cole et al.
 2007/0044364 A1 3/2007 Sammut et al.
 2008/0098640 A1 5/2008 Sammut et al.
 2009/0199451 A1 8/2009 Zaderey et al.
 2009/0235570 A1 9/2009 Sammut et al.
 2012/0186130 A1 7/2012 Tubb
 2013/0033746 A1 2/2013 Brumfield
 2013/0047485 A1 2/2013 Tubb
 2014/0059915 A1 3/2014 Sammut et al.

OTHER PUBLICATIONS

“Japanese Ammunition and Rifle Testing,” milsurps.com, publically available at least as early as Nov. 20, 2011.
 “Browe Combat Optic Copies Leupold’s 300 AAC Blackout Reticle”, thetruthaboutguns.com/012/08/foghorn/browe-combat-optic-copies-leupolds-300-aac-blackout-reticle/, Aug. 30, 2012.
 Valdada, “QR-TS 3x25 30mm Tactical BDC .223 Scope Illuminated CQB Reticle,” publically available at least as early as Nov. 20, 2011, p. 18.
 Kopas, “Handbook of Standard Reticle Patterns by Manufacturer,” 67 pp., Version 5, Jan. 3, 2009, U.S. Optics Reticle Patterns at p. 8.
 U.S. Optics, “Reticle Name: JPJ1,” <http://web.archive.org/web/20120912020632/http://www.usoptics.com/scope/product/viewlargeimage/id/664>, archived Sep. 12, 2012.
 Trijicon, Inc., “TA11SDO-CP ACOG—Trijicon, Inc.,” archived at http://web.archive.org/web/20110913034427/http://www.trijicon.com/na_en/products/product3.php?pid=TA11SDO-CP, archived Sep. 13, 2011, visited Jul. 17, 2015.
 Ronin Tactical’s New Corner Site, “SU-258/PVQ TA11SDO-CP: Trijicon ACOG 3.5x35 Scope, Dual Illuminated Red Horseshoe / Dot, M249 Ballistic Reticle, 9.0 MOA RMR Sight and LaRue Tactical Mount”, <http://ronintactical.blogspot.com/2015/05/su-258pvq-ta11sdo-cp-trijicon-acog.html>, dated May 20, 2015, visited Aug. 12, 2015.
 Silvers, et al., “Projectile-Weapon Reticle With Holdover Aiming Features for Multiple Projectile Velocities”, U.S. Appl. No. 14/695,266, filed Apr. 24, 2015.

* cited by examiner

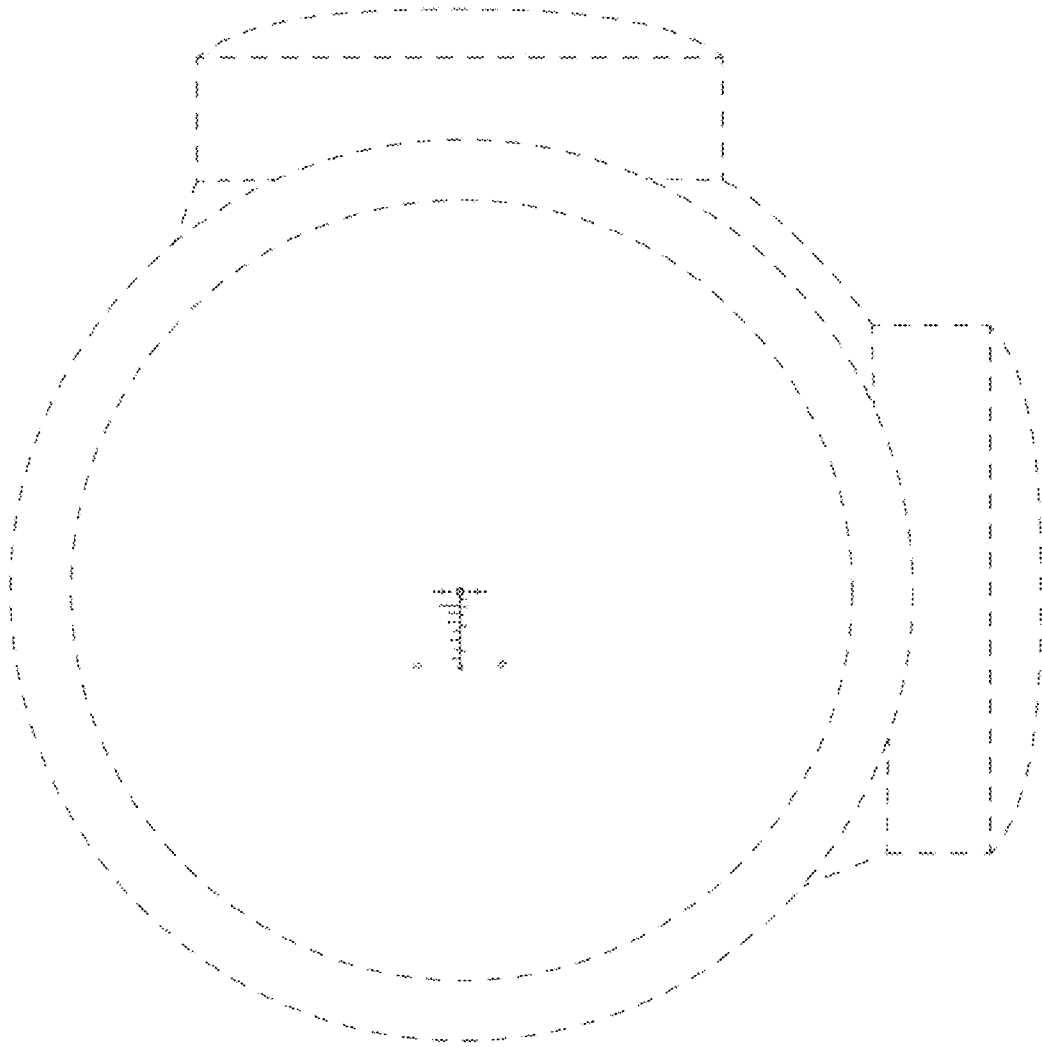


FIG. 1

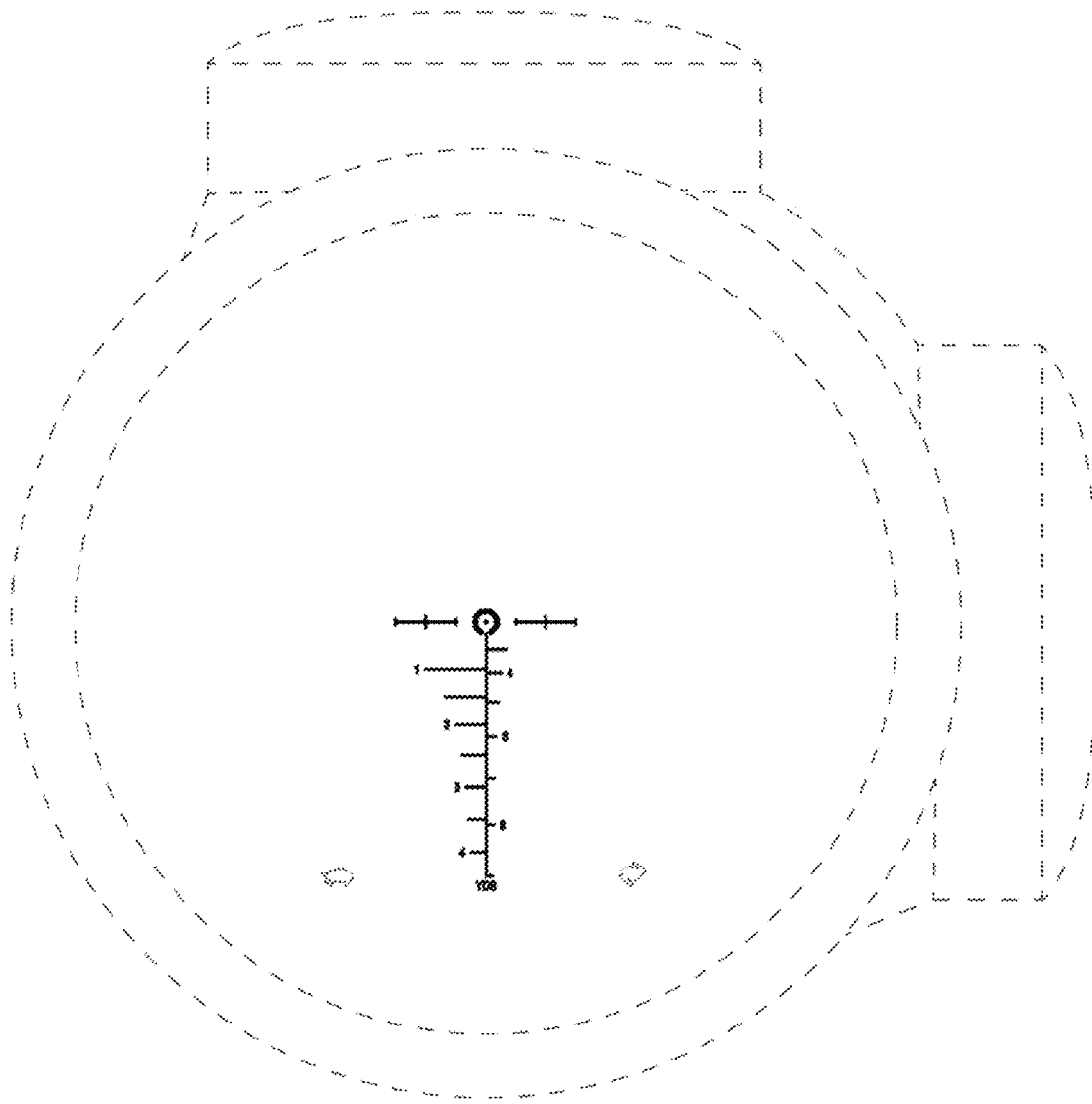


FIG. 2

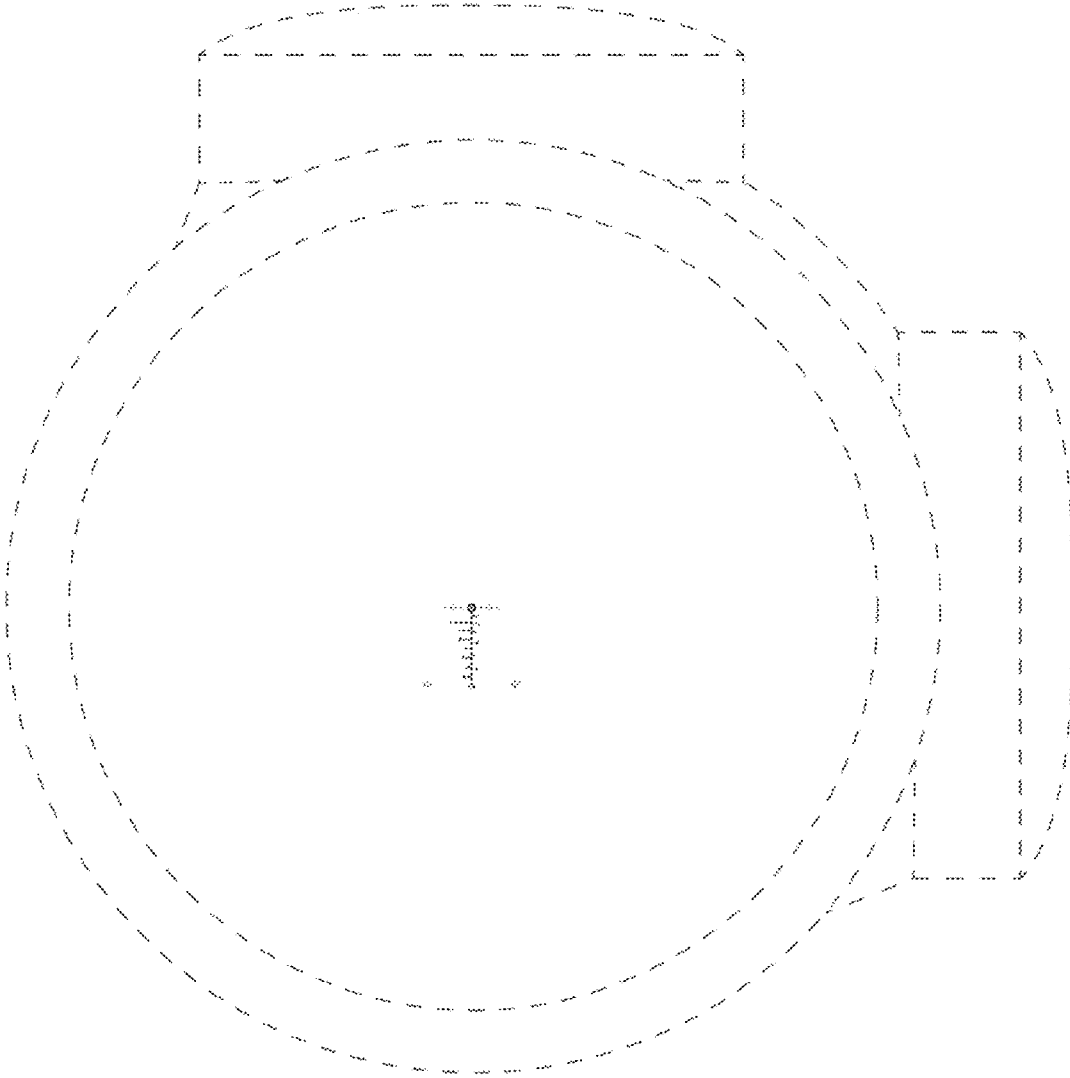


FIG. 3

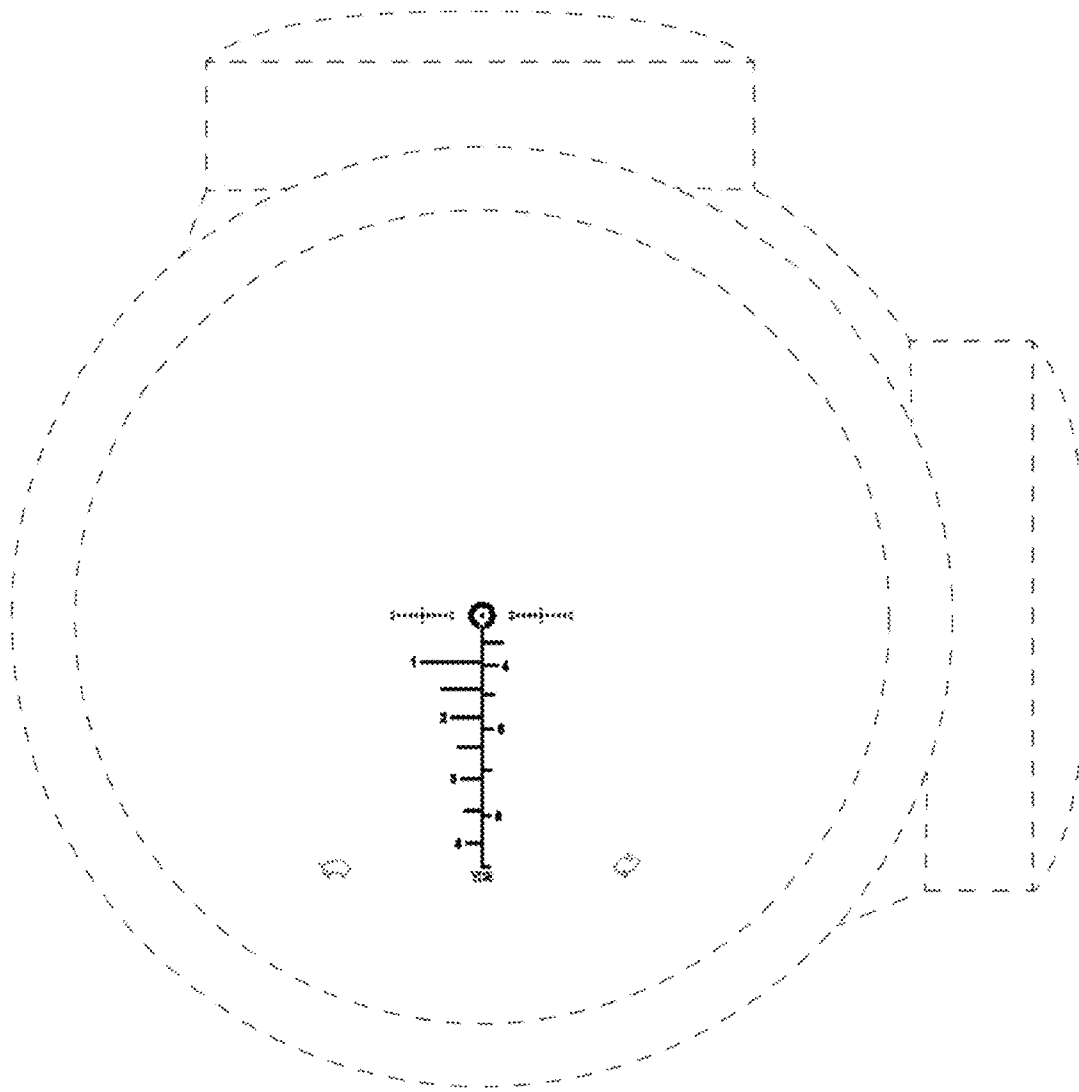


FIG. 4

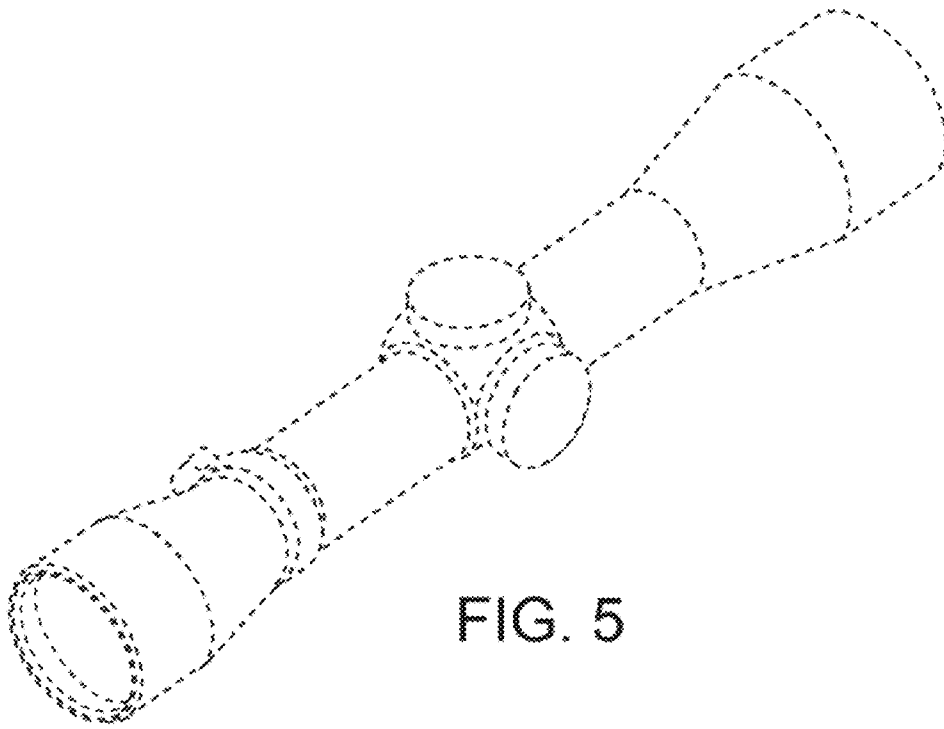


FIG. 5