



US0D1065010S

(12) **United States Design Patent**  
**Yue**

(10) **Patent No.:** **US D1,065,010 S**

(45) **Date of Patent:** **\*\* Mar. 4, 2025**

(54) **ROOF TENT**

(71) Applicant: **SHENZHEN YANGNING AUTO ACCESSORY CO., LTD**, Shenzhen (CN)

(72) Inventor: **Shiawdar Shaun Yue**, Shenzhen (CN)

(73) Assignee: **SHENZHEN YANGNING AUTO ACCESSORY CO., LTD**, Shenzhen (CN)

(\*\*) Term: **15 Years**

(21) Appl. No.: **29/915,130**

(22) Filed: **Oct. 26, 2023**

(51) **LOC (15) Cl.** ..... **12-16**

(52) **U.S. Cl.**  
USPC ..... **D12/401**

(58) **Field of Classification Search**  
USPC ..... D12/401, 403, 404, 400, 402, 410, 420, D12/221, 222, 223, 103, 104, 106, 412, D12/413, 416, 86, 90-92, 164, 173, D12/184-186, 190, 196; D6/610, 611, D6/596, 601, 602, 603, 615, 617, 621; D21/834-840, 424, 425, 433, 434  
CPC ..... E04H 15/06; E04H 15/48  
See application file for complete search history.

(56) **References Cited**

**U.S. PATENT DOCUMENTS**

6,035,875	A *	3/2000	Chen	.....	E04H 15/06 135/88.07
11,105,112	B2 *	8/2021	Montesalvo	.....	E04H 15/54
D935,378	S *	11/2021	Chen	.....	D12/403
D936,521	S *	11/2021	Zhang	.....	D12/103
D984,355	S *	4/2023	Zhang	.....	D12/403
D994,068	S *	8/2023	Cheng	.....	D21/834
D1,002,492	S *	10/2023	Zhou	.....	D12/401

(Continued)

**OTHER PUBLICATIONS**

“Naturnest Rooftop Tent Hard Shell, Easy Set Up Pop Up Tent for 2 Person Camping, Waterproof Windproof” amazon.com, post Published Nov. 6, 2024. Retrieved Dec. 11, 2024. Available online at URL:https://www.amazon.com/Naturnest-Waterproof-Windproof-UV-Resistant-Blackout/dp/B0DM5L3L1B/ref(Year: 2024).\*

(Continued)

*Primary Examiner* — Christian P. McLean

*Assistant Examiner* — Jessica Lynn Devilibiss

(74) *Attorney, Agent, or Firm* — Daniel M. Cohn; Howard M. Cohn

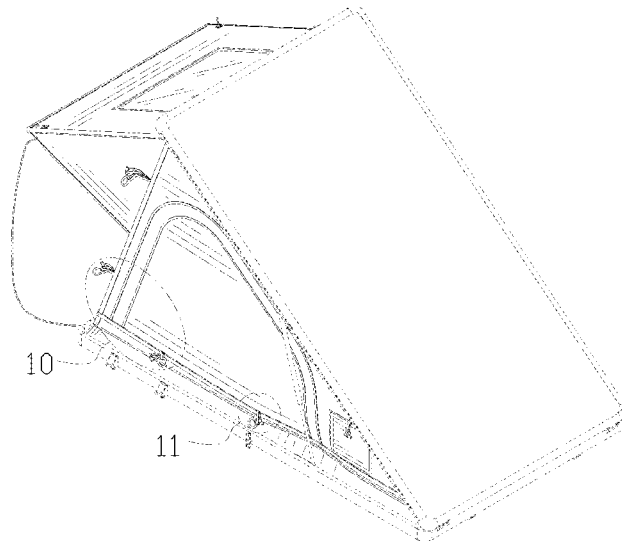
(57) **CLAIM**

The ornamental design for a roof tent as shown and described.

**DESCRIPTION**

FIG. 1 is a perspective view of a roof tent showing my new design;  
FIG. 2 is another perspective view thereof;  
FIG. 3 is a front elevational view thereof;  
FIG. 4 is a rear elevational view thereof;  
FIG. 5 is a left side elevational view thereof;  
FIG. 6 is a right side elevational view thereof;  
FIG. 7 is a top plan view thereof;  
FIG. 8 is a bottom plan view thereof;  
FIG. 9 is a perspective view of the roof tent where the roof tent is in a folded state;  
FIG. 10 is an enlarged view of portion 10 shown in FIG. 1; and,  
FIG. 11 is an enlarged view of portion 11 shown in FIG. 1. The dash-dash broken lines in the drawings depict portions of the roof tent that form no part of the claimed design. The dot-dash broken lines represent boundaries of the enlarged portions and form no part of the claimed design.

**1 Claim, 11 Drawing Sheets**



(56)

**References Cited**

U.S. PATENT DOCUMENTS

D1,034,412 S \* 7/2024 Wu ..... D12/412  
D1,034,876 S \* 7/2024 Cheng ..... D21/834

OTHER PUBLICATIONS

“Bamacar Naturnest Rooftop Tent Hard Shell, Nature Nest Roof Top Tent Hardshell Rooftop Tent for Jeep SUV” amazon.com, post Published Jul. 10, 2023. Retrieved Dec. 11, 2024. Available online at URL:[https://www.amazon.com/Naturnest-Rooftop-BAMACAR-Overland-Hardshell/dp/B0CBJZ4F87/ref=sr\\_1\\_5?crid=](https://www.amazon.com/Naturnest-Rooftop-BAMACAR-Overland-Hardshell/dp/B0CBJZ4F87/ref=sr_1_5?crid=) (Year: 2023).\*

\* cited by examiner

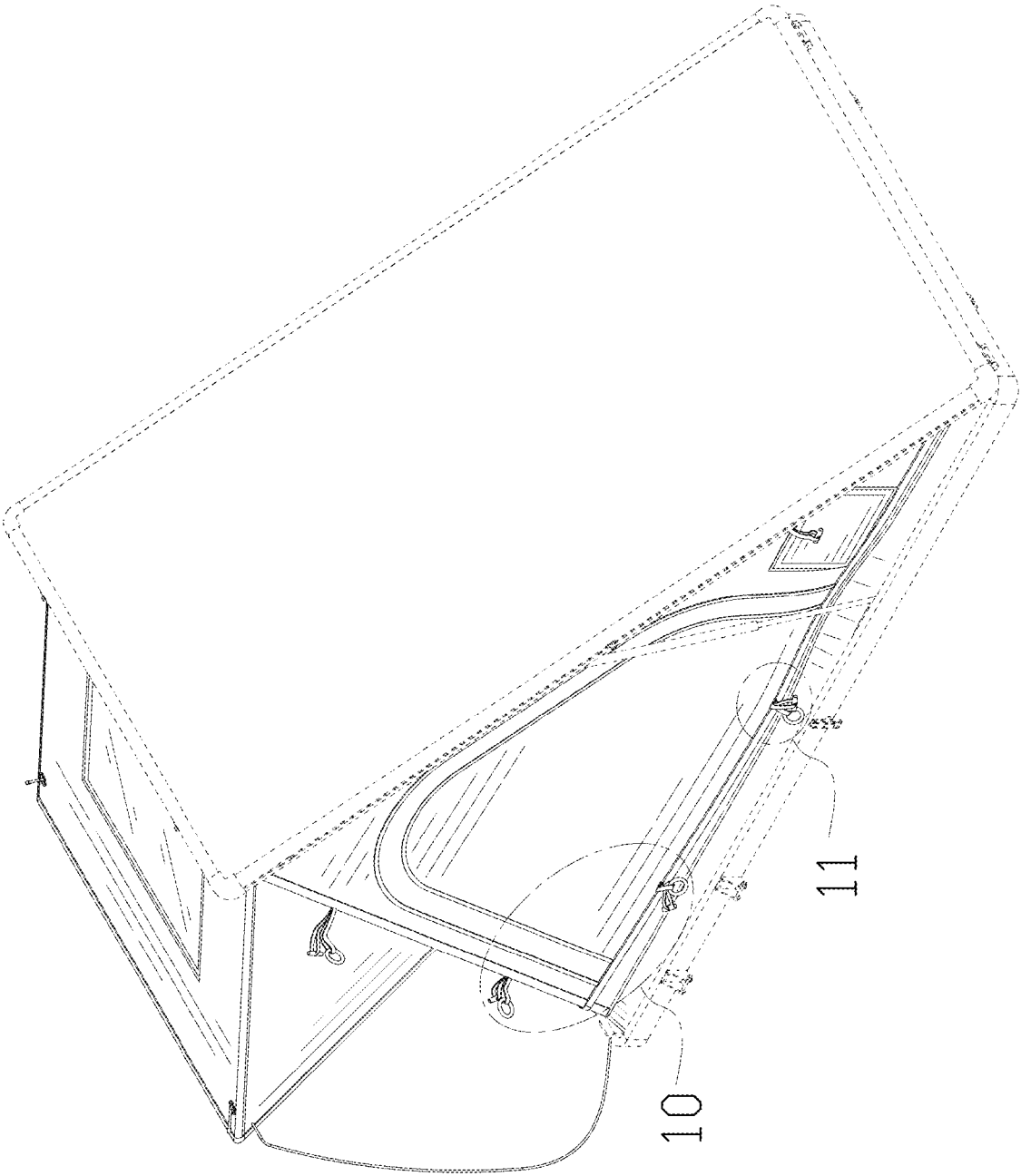


FIG. 1

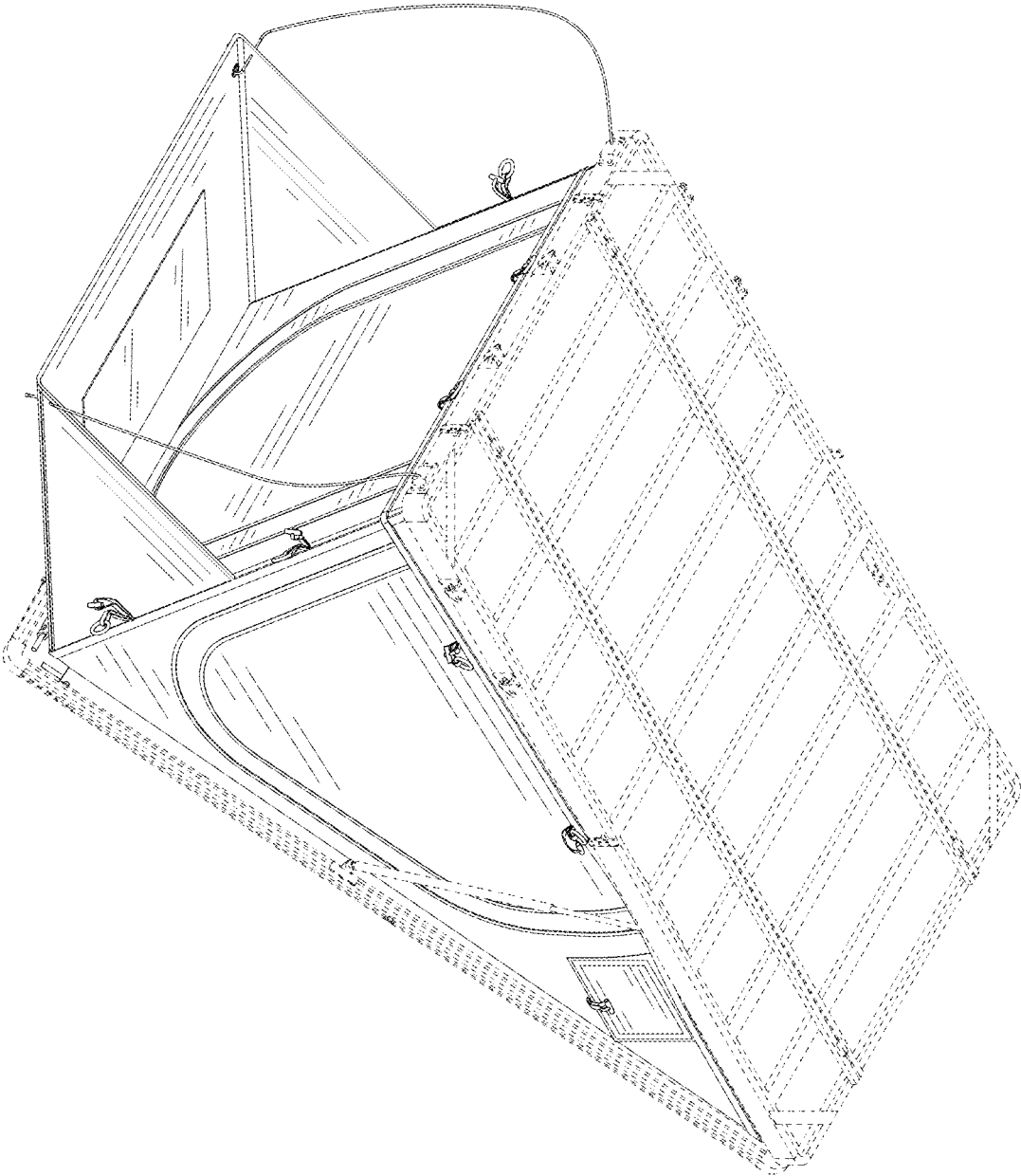


FIG. 2

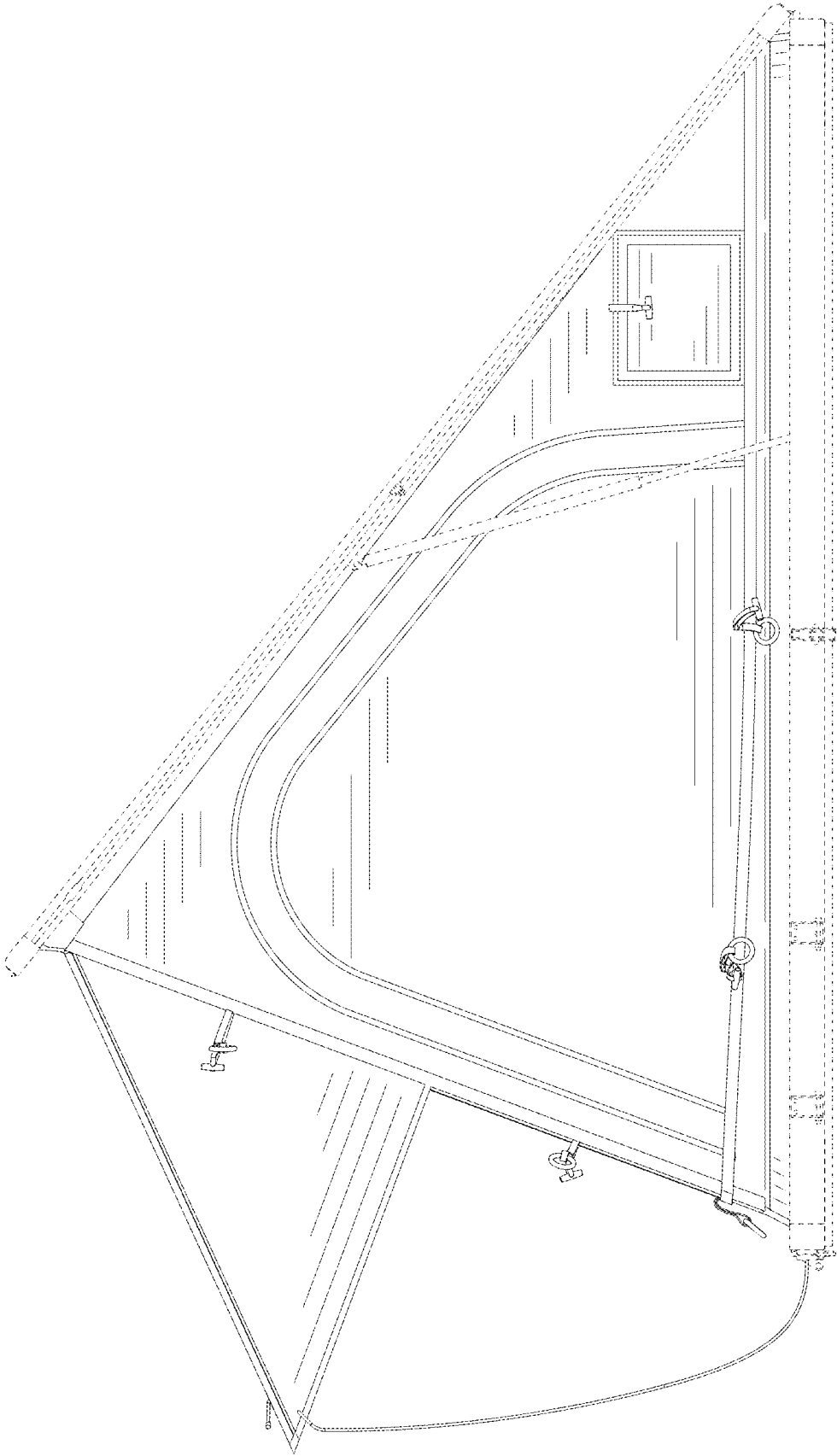


FIG. 3

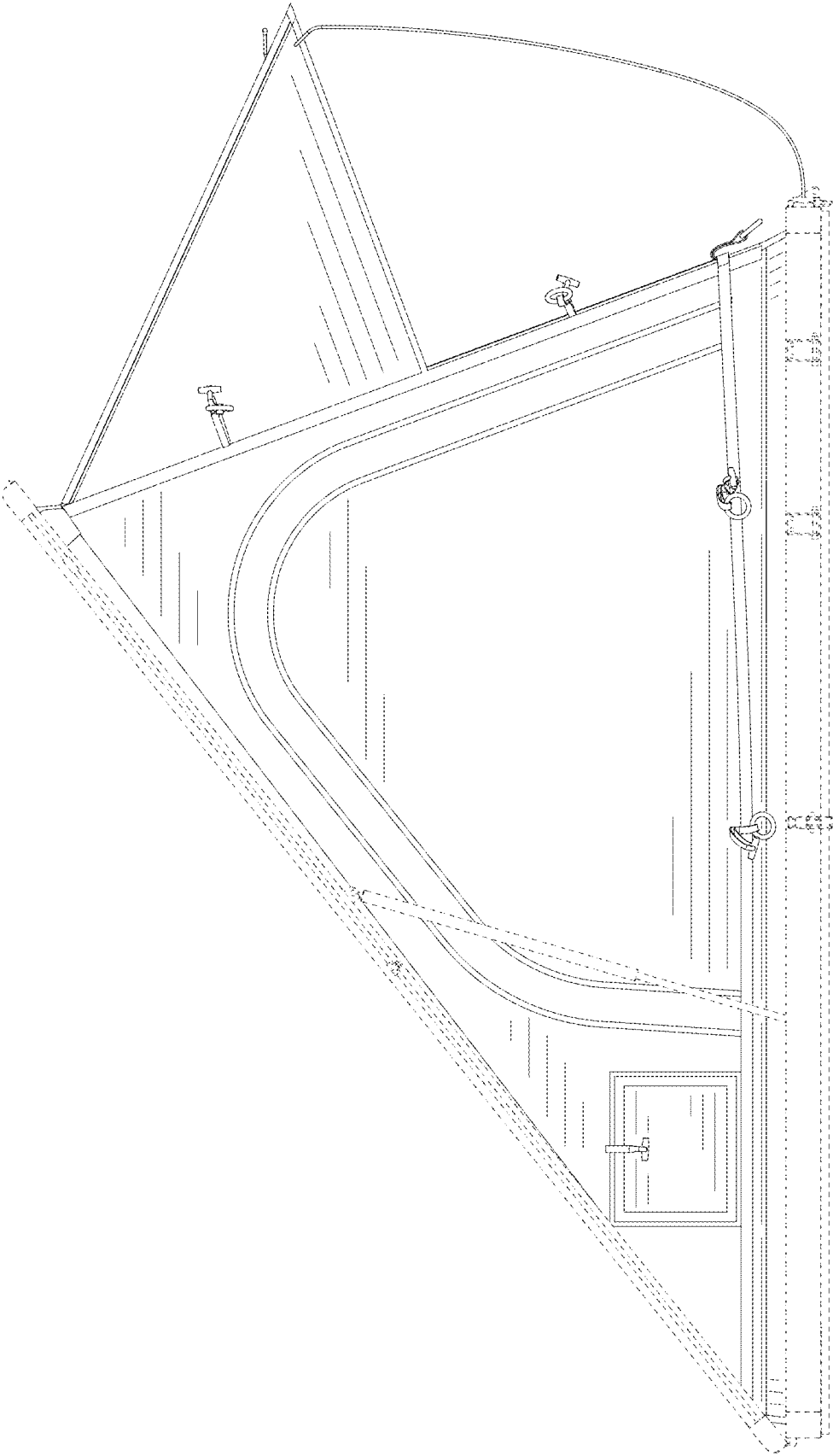


FIG. 4

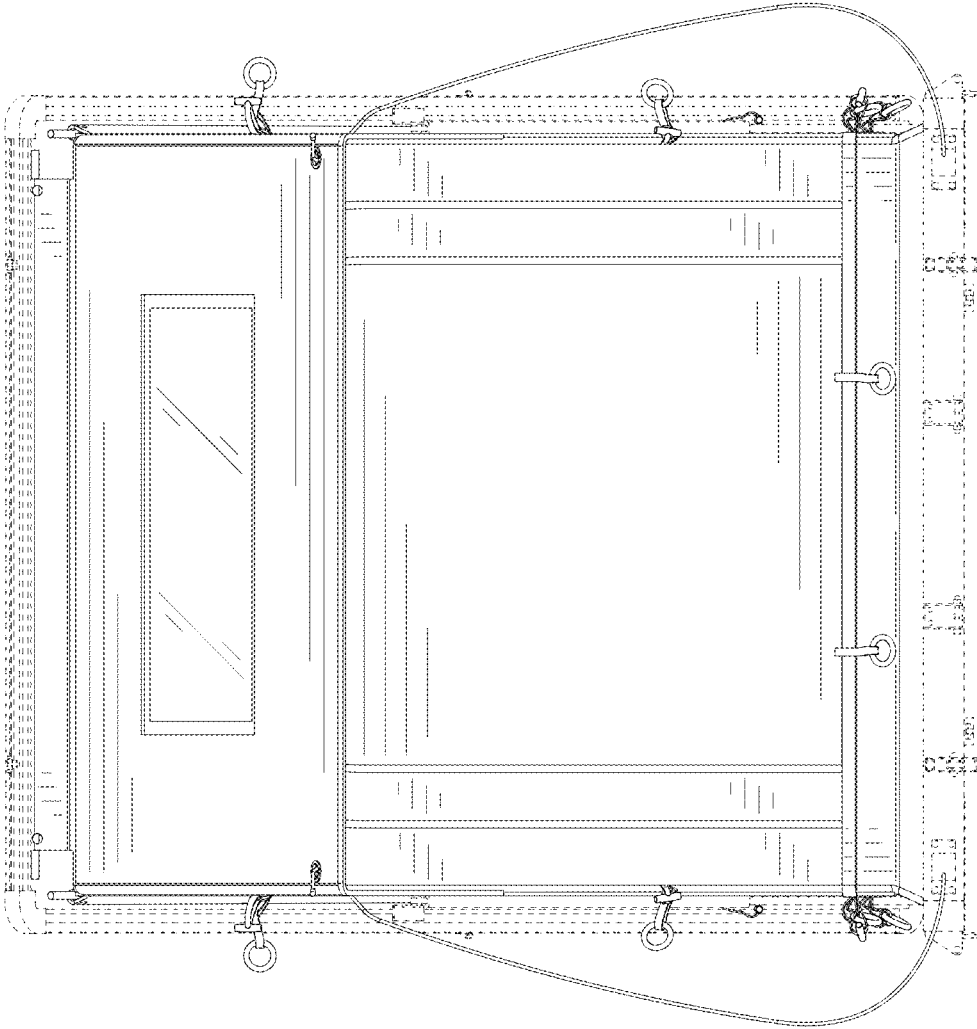


FIG. 5

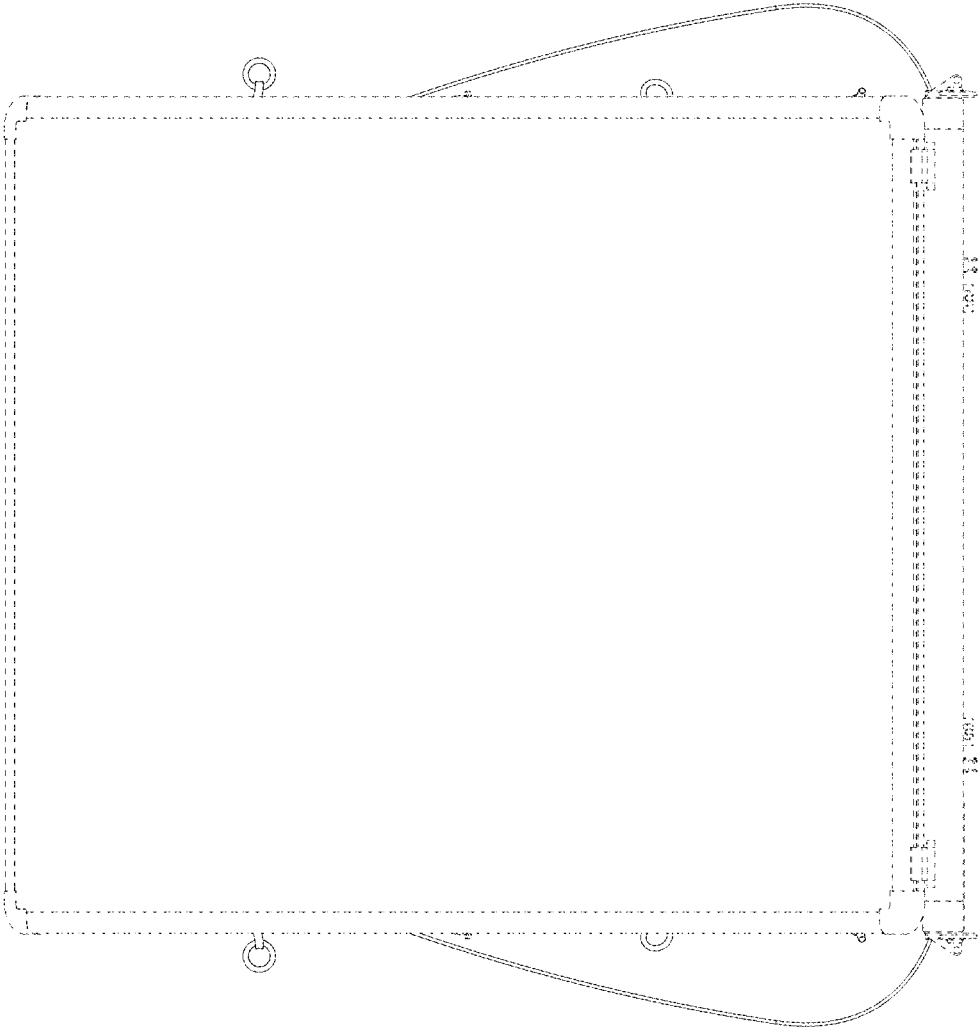


FIG. 6

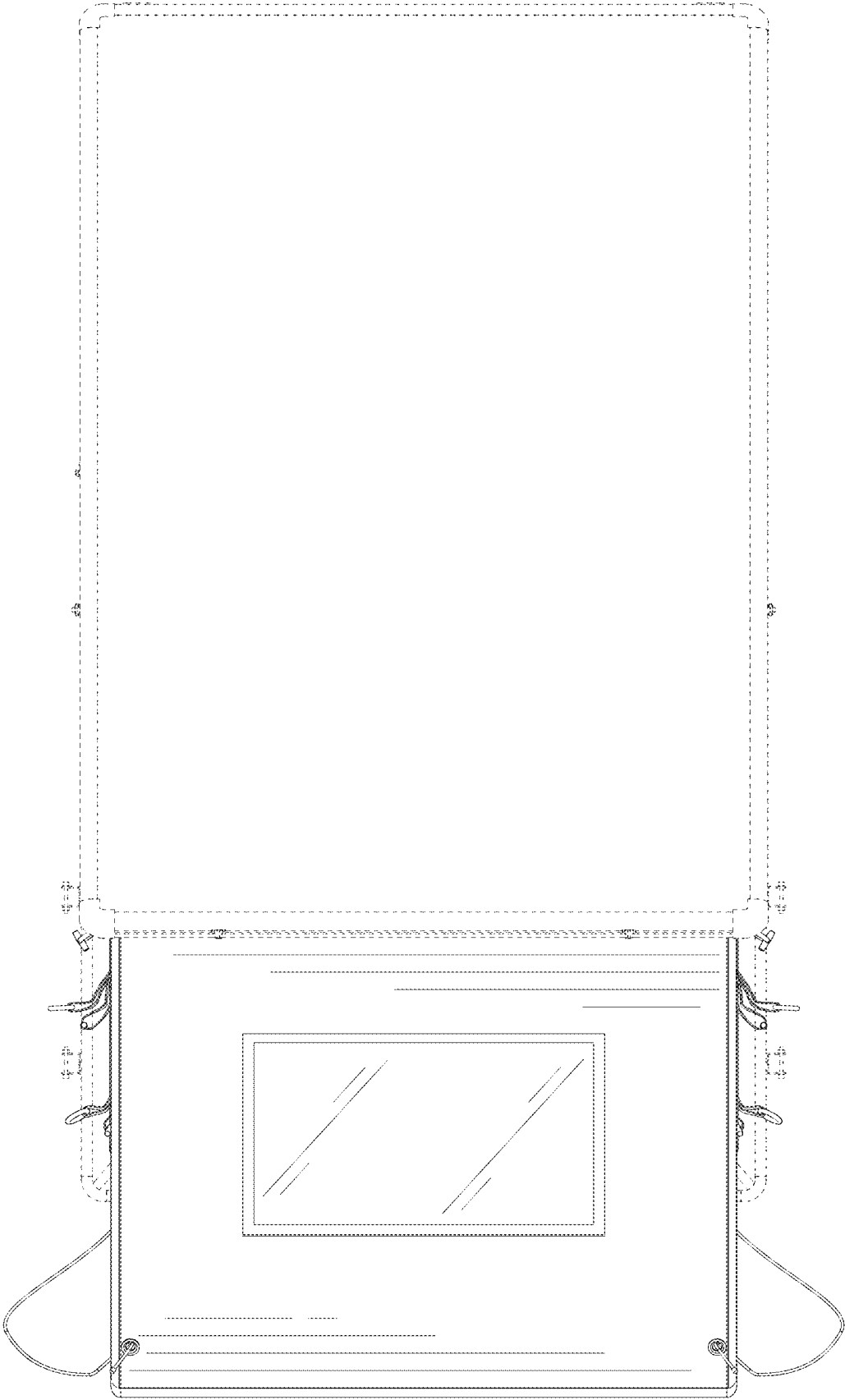


FIG. 7

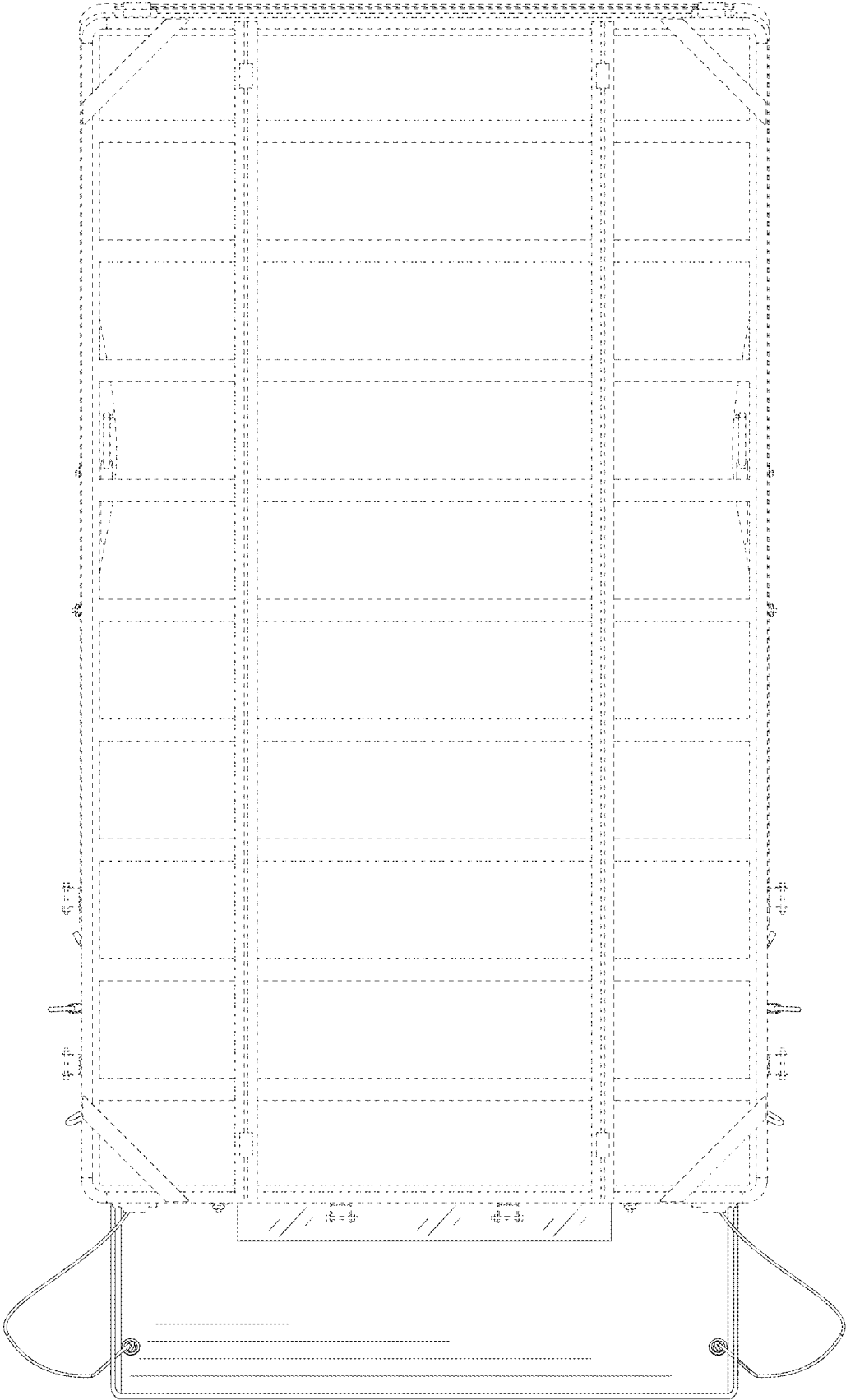


FIG. 8

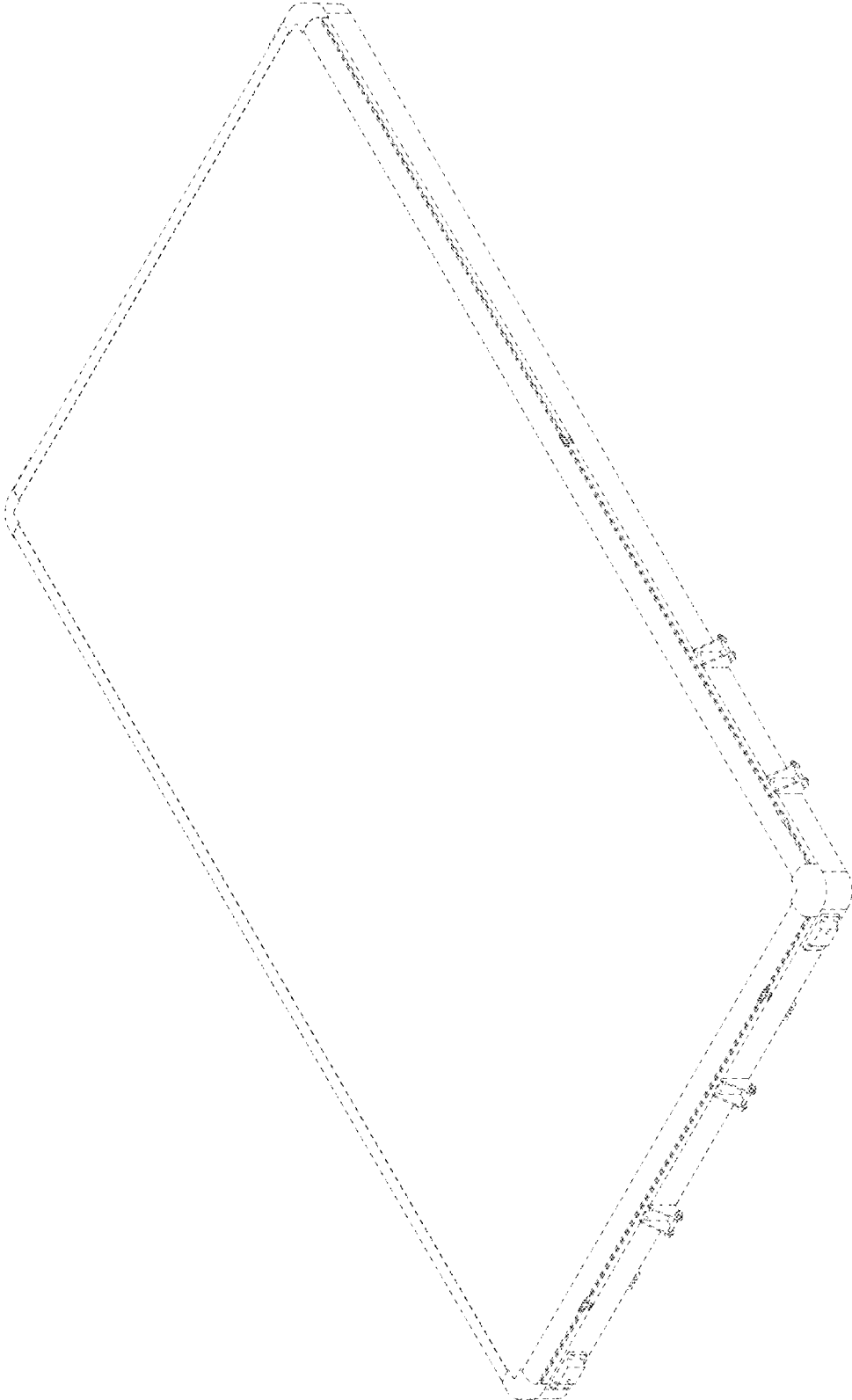


FIG. 9

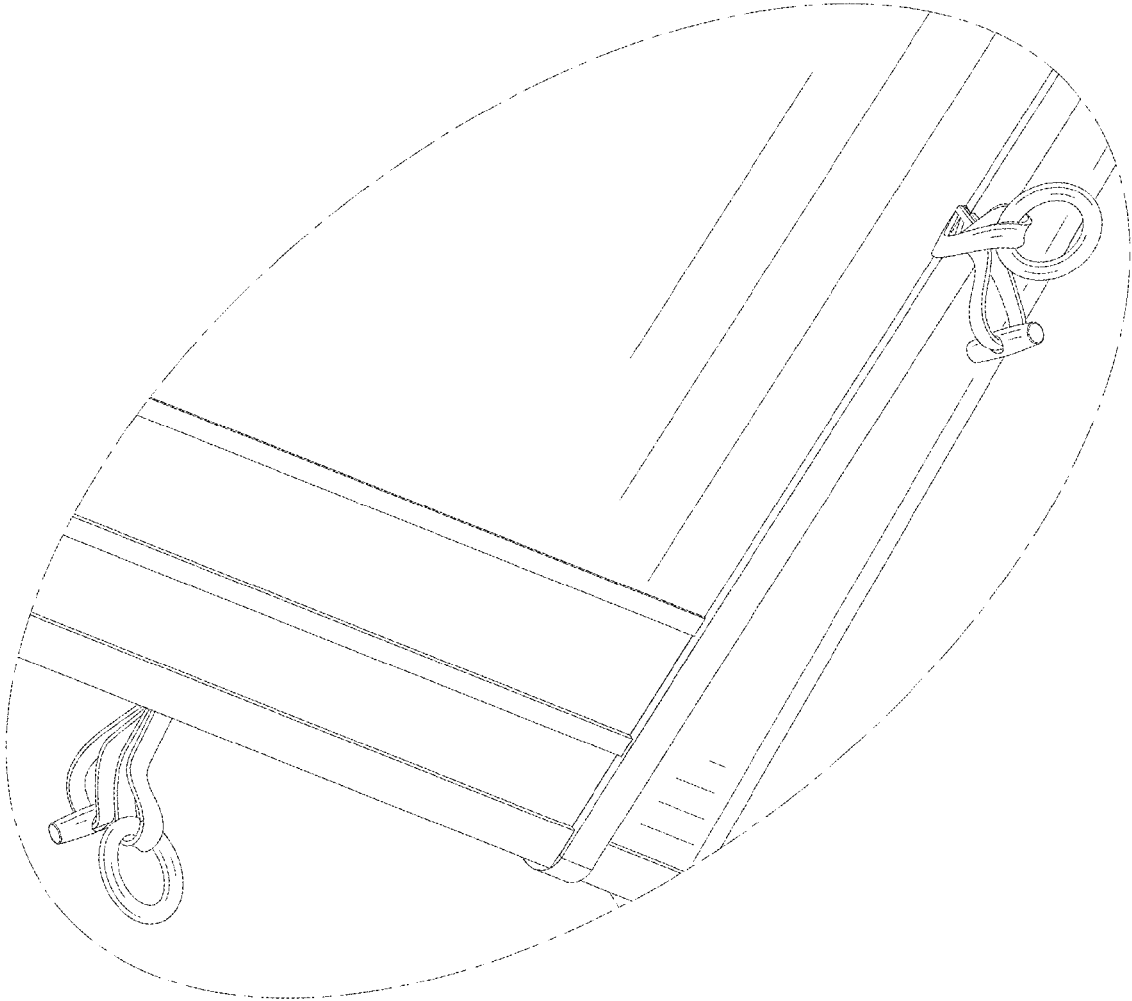


FIG. 10

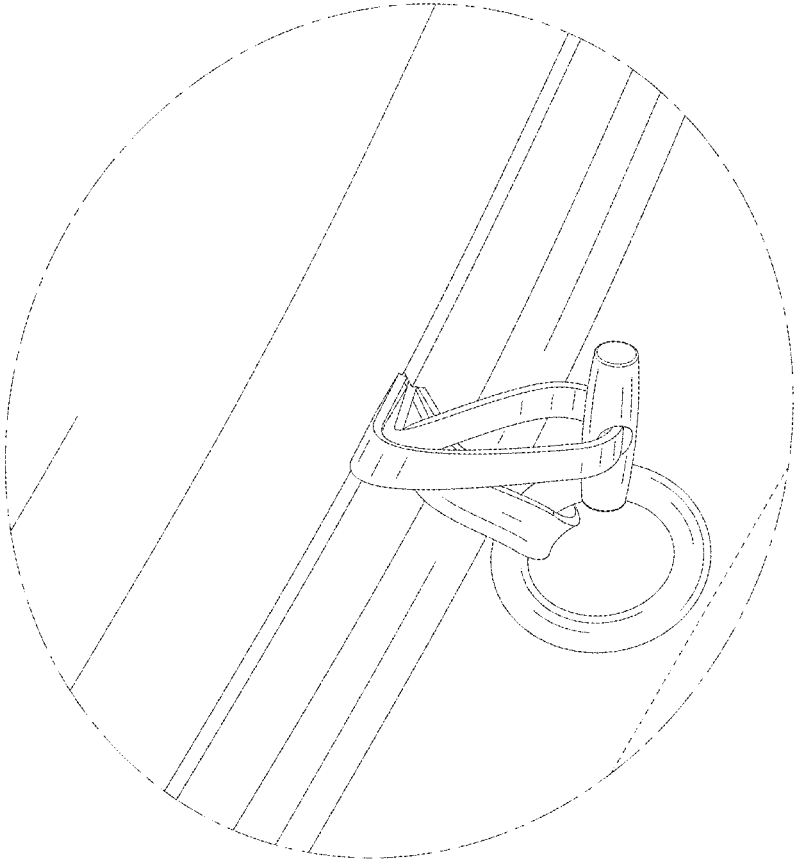


FIG. 11