



US0D1069415S

(12) **United States Design Patent**  
**Jing**

(10) **Patent No.:** **US D1,069,415 S**

(45) **Date of Patent:** **\*\* Apr. 8, 2025**

(54) **ELECTRIC CLEANING BRUSH**

FOREIGN PATENT DOCUMENTS

(71) Applicant: **Ningbo Forward Plastic Co., Ltd.**,  
Zhejiang (CN)

CN 307546733 \* 9/2022  
CN 307794240 \* 1/2023

(Continued)

(72) Inventor: **Weilie Jing**, Guangdong (CN)

(73) Assignee: **Ningbo Forward Plastic Co., Ltd.**,  
Yuyao (CN)

OTHER PUBLICATIONS

(\*\*) Term: **15 Years**

Amazon. Link: <https://www.amazon.com/Electric-Scrubber-Replaceable-Rechargeable-MEYFROX-1/dp/B0C2TW9RHY?th=1>. Apr. 18, 2023. Electric Spin Scrubber Cordless Power Cleaning Brush with 5 Replaceable Brush Heads Rechargeable Scrubber for Bathroom Tub Sink Kitchen Dishes Tile Window Floor Grout, White (Year: 2023).\*

(Continued)

(21) Appl. No.: **29/844,159**

(22) Filed: **Jun. 27, 2022**

(51) **LOC (15) Cl.** ..... **04-01**

(52) **U.S. Cl.**  
USPC ..... **D4/102**

(58) **Field of Classification Search**  
USPC ..... D4/100, 102, 121, 127, 128, 130, 132,  
D4/133, 134, 138, 199; D8/29.1, 107;  
D24/200, 214, 215; D28/12, 13, 18,  
D28/54.1; D32/17, 19  
CPC ..... A46B 13/00; A46B 13/001; A46B 13/02;  
A46B 13/023; A46B 13/026; A46B  
2200/30; A46B 2200/3033; A45D 20/04;  
A45D 20/06; A45D 20/08; A45D 20/10;  
A45D 20/128; A61H 1/00; A61H 1/008;  
A61H 7/00; A61H 7/003; A61H 7/004;  
A61H 9/00; A61H 15/00; A61H 15/0078;  
A61H 15/0085; A61H 15/0092; A61H  
2201/1635; A61H 23/006

See application file for complete search history.

*Primary Examiner* — Lauren D McVey  
*Assistant Examiner* — Mai Shim

(57) **CLAIM**

The ornamental design for an electric cleaning brush as shown and described.

**DESCRIPTION**

FIG. 1 is a front, right perspective view of an electric cleaning brush;  
FIG. 2 is rear, left perspective view thereof;  
FIG. 3 is a front elevation view thereof;  
FIG. 4 is a rear elevation view thereof;  
FIG. 5 is a left elevation view thereof;  
FIG. 6 is a right elevation view thereof;  
FIG. 7 is a top plan view thereof;  
FIG. 8 is a bottom plan view thereof; and,  
FIG. 9 is an enlarged view of the area 9 indicated in FIG. 1.  
The evenly-spaced broken lines immediately adjacent to the shaded areas depict the bounds of the claimed design. The dot-dash broken lines depict the bounds of the enlarged area. The broken lines form no part of the claimed design.

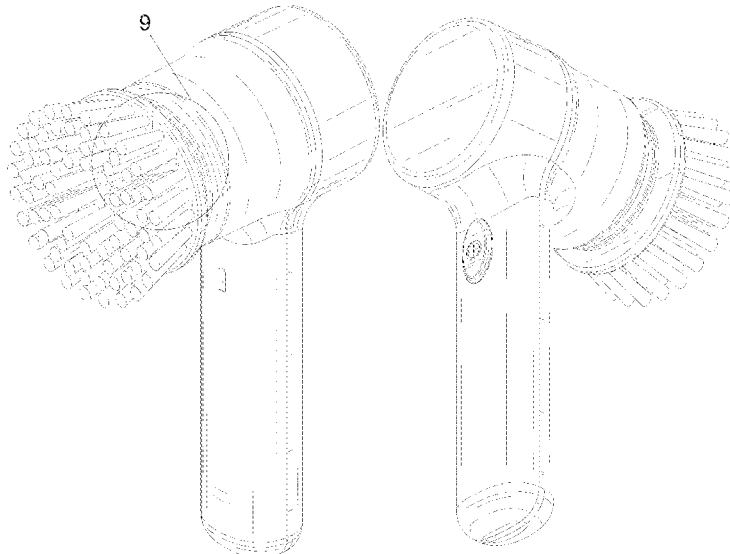
(56) **References Cited**

U.S. PATENT DOCUMENTS

D270,380 S \* 8/1983 Armstrong ..... D28/13  
D296,140 S \* 6/1988 Snyder ..... D28/13  
D301,398 S \* 6/1989 Cheung ..... D32/14.1  
D341,257 S \* 11/1993 Lunderman ..... D4/138

(Continued)

**1 Claim, 9 Drawing Sheets**



(56) **References Cited**

U.S. PATENT DOCUMENTS

|            |   |   |         |           |       |        |
|------------|---|---|---------|-----------|-------|--------|
| D653,393   | S | * | 1/2012  | Oh        | ..... | D28/13 |
| D851,407   | S | * | 6/2019  | Brown     | ..... | D4/127 |
| D911,604   | S | * | 2/2021  | Chen      | ..... | D28/13 |
| D930,899   | S | * | 9/2021  | Zhang     | ..... | D28/13 |
| D1,005,579 | S | * | 11/2023 | Parker    | ..... | D28/13 |
| D1,008,548 | S | * | 12/2023 | Jiang     | ..... | D28/13 |
| D1,033,058 | S | * | 7/2024  | Wu        | ..... | D4/102 |
| D1,035,133 | S | * | 7/2024  | Bourgeois | ..... | D28/13 |
| D1,048,611 | S | * | 10/2024 | Khubani   | ..... | D32/19 |

FOREIGN PATENT DOCUMENTS

|    |           |   |        |
|----|-----------|---|--------|
| CN | 307987382 | * | 4/2023 |
| CN | 308114356 | * | 7/2023 |
| CN | 308148870 | * | 8/2023 |
| CN | 308693515 | * | 6/2024 |
| CN | 308744103 | * | 7/2024 |

OTHER PUBLICATIONS

Amazon. Link: <https://a.co/d/d1hlkqn>. Mar. 29, 2024. Workpro 8V Electric Spin Scrubber, 3-Speed Adjustable Shower Scrubber with 6 Replaceable Brush Heads, IPX6 Waterproof Electric Scrubber for Cleaning Bathroom, Kitchen Sinks, and Windows (Year: 2024).\*

Amazon. Link: <https://a.co/d/9Ectpqk>. Jan. 26, 2024. Cordless Electric Spin Scrubber, 3 Adjustable Speeds Cleaning Brush with 4 Replaceable Brush Heads, IPX7 Waterproof Electric Scrub Brush for Kitchen, Bathroom, Car, Bathtub, Floor, Window (Year: 2024).\*

Amazon. Link: <https://a.co/d/eeBtooQ>. Jul. 29, 2024. Electric Spin Scrubber, Cordless Shower Scrubber with Battery Level Display, Bathroom Electric Scrubber for Cleaning with 6 Replaceable Heads, Electric Cleaning Brush for Bathroom/Sink/Window (Year: 2024).\*

\* cited by examiner

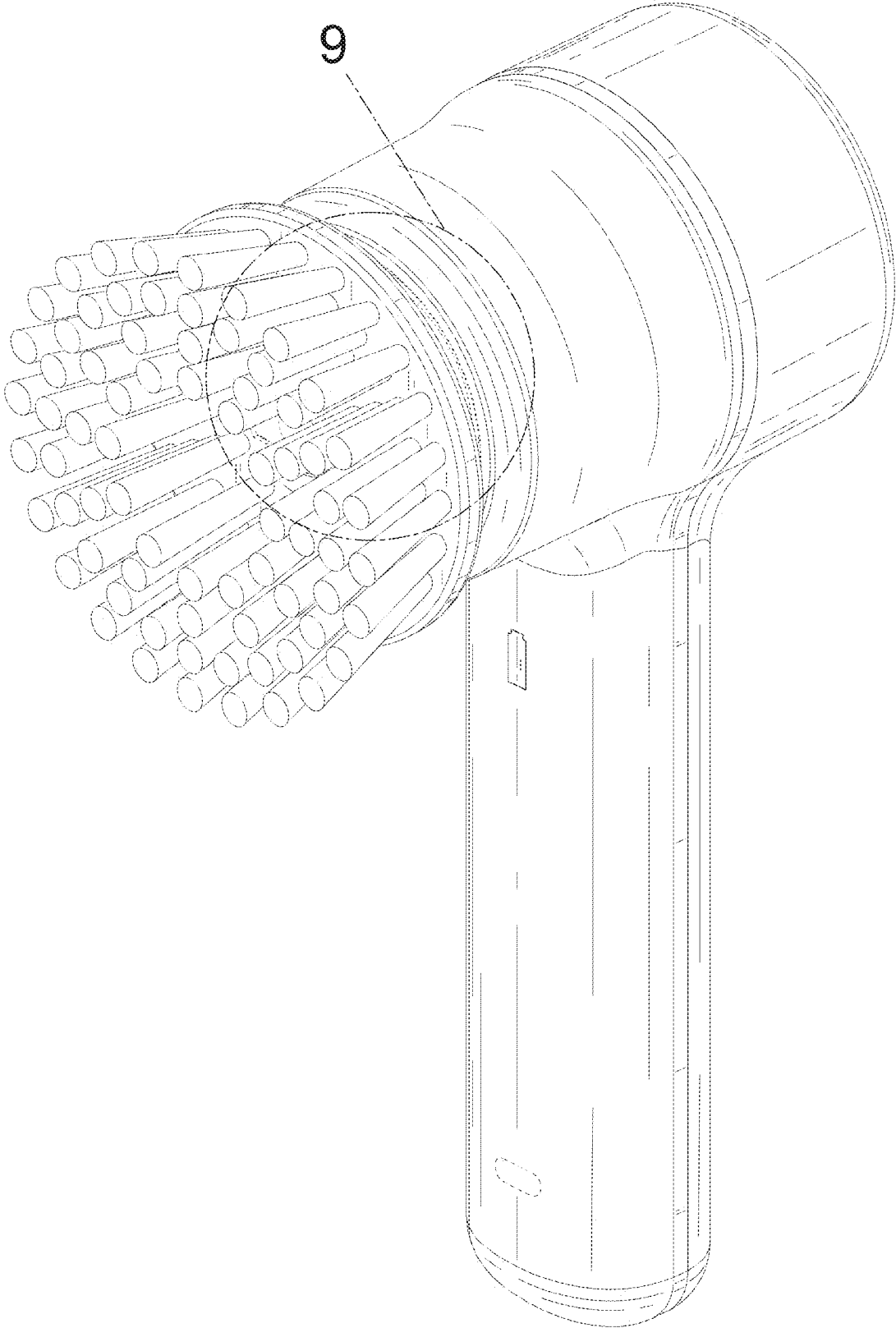


FIG. 1

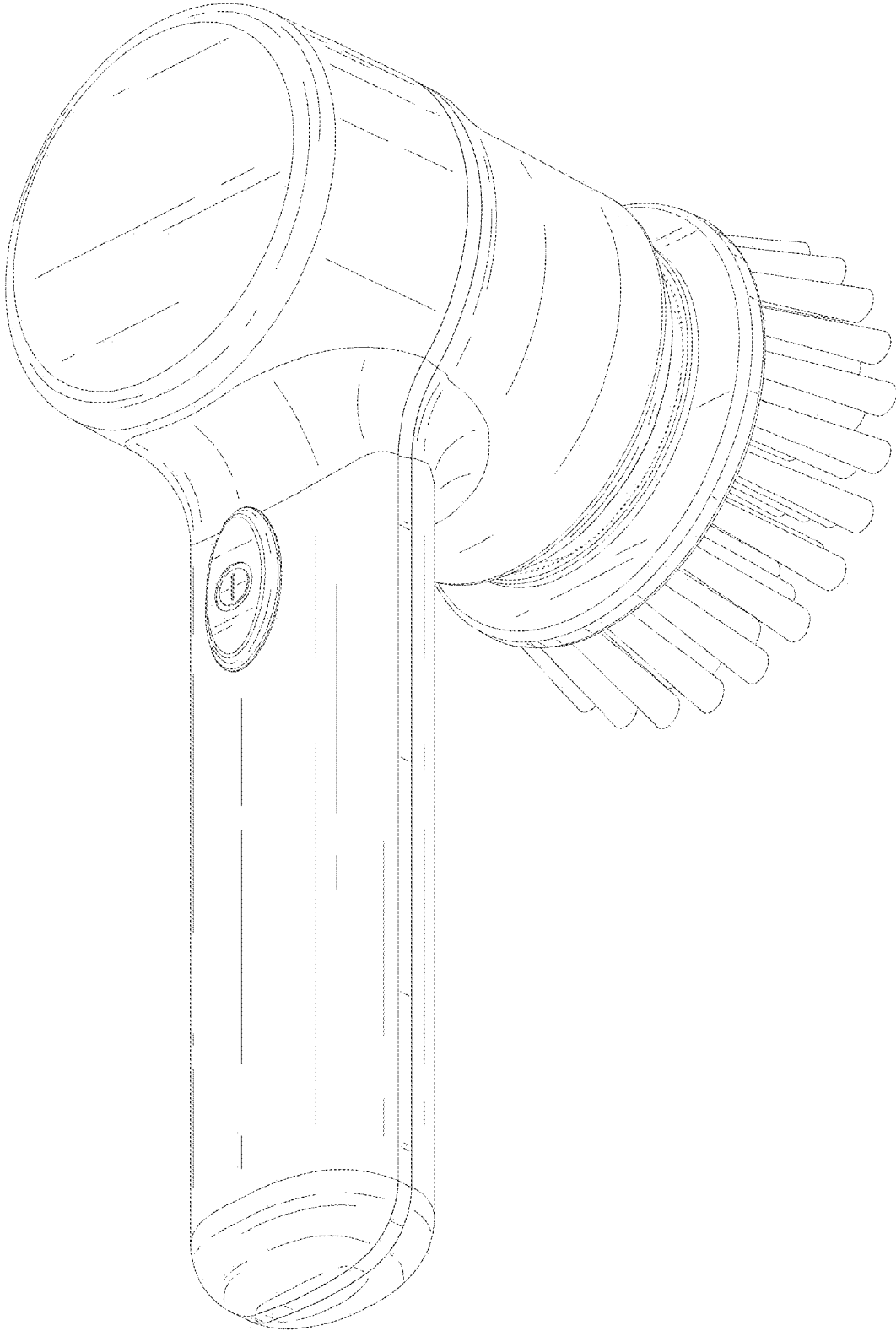


FIG. 2

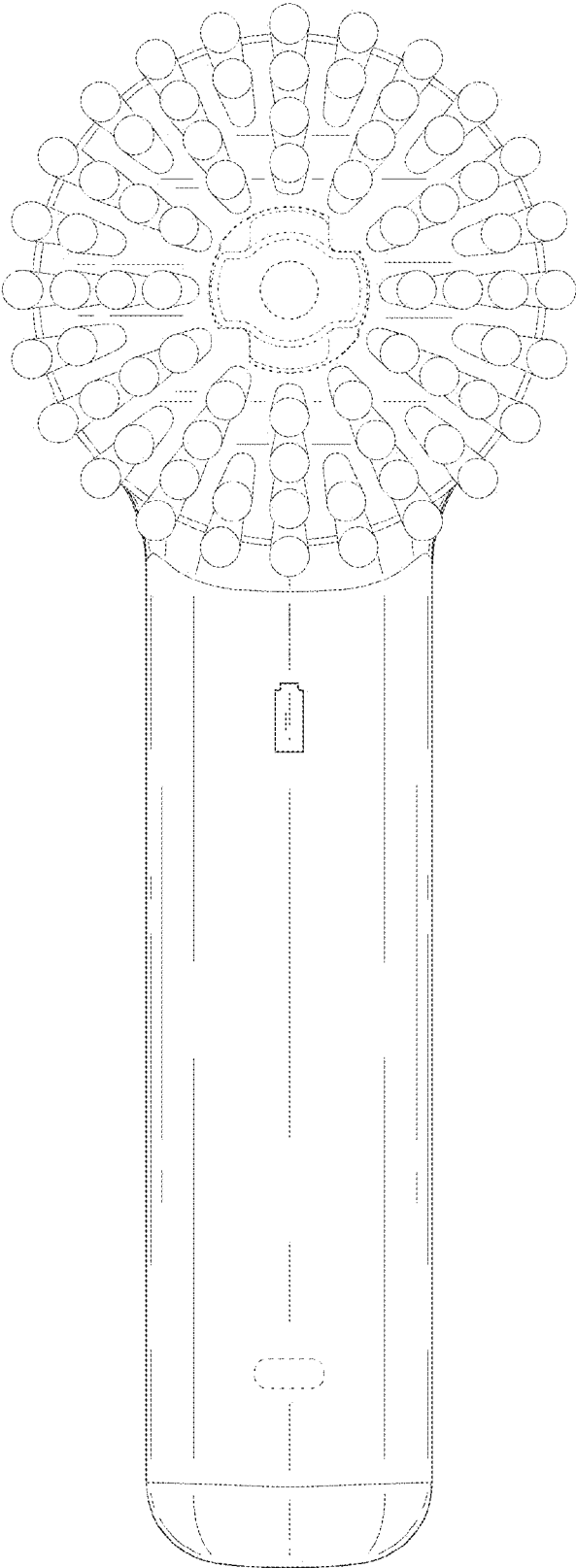


FIG. 3

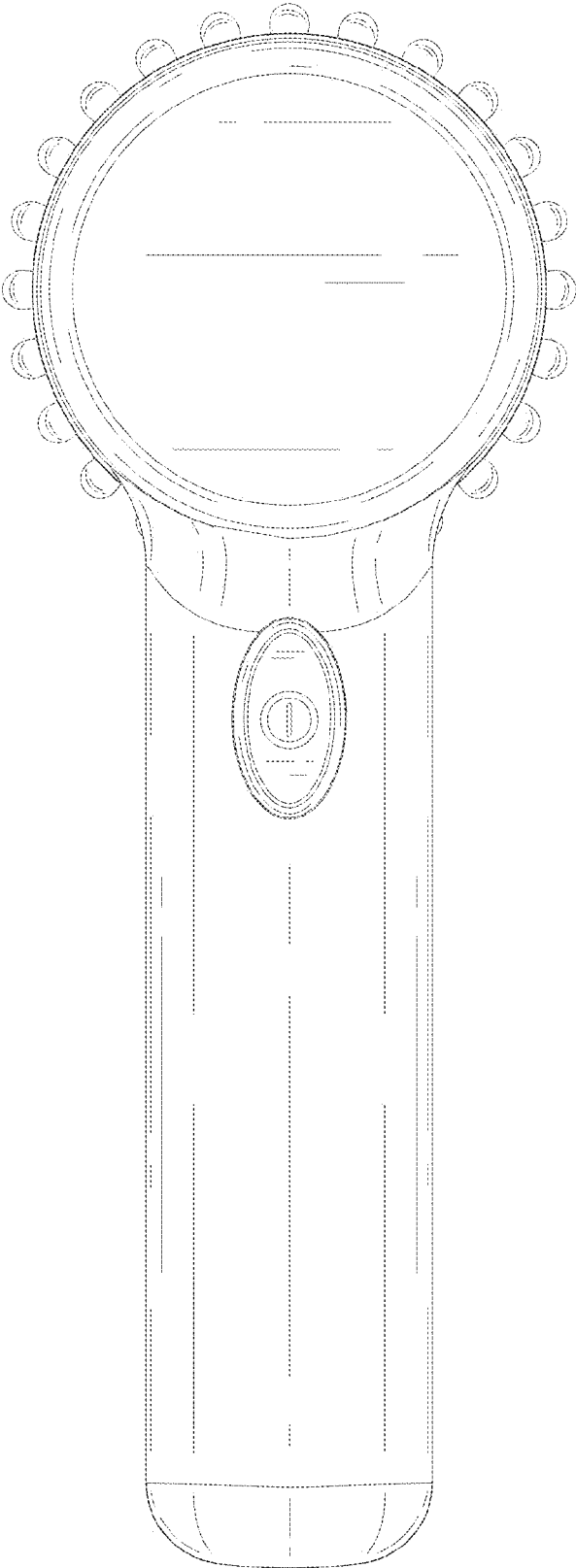


FIG. 4

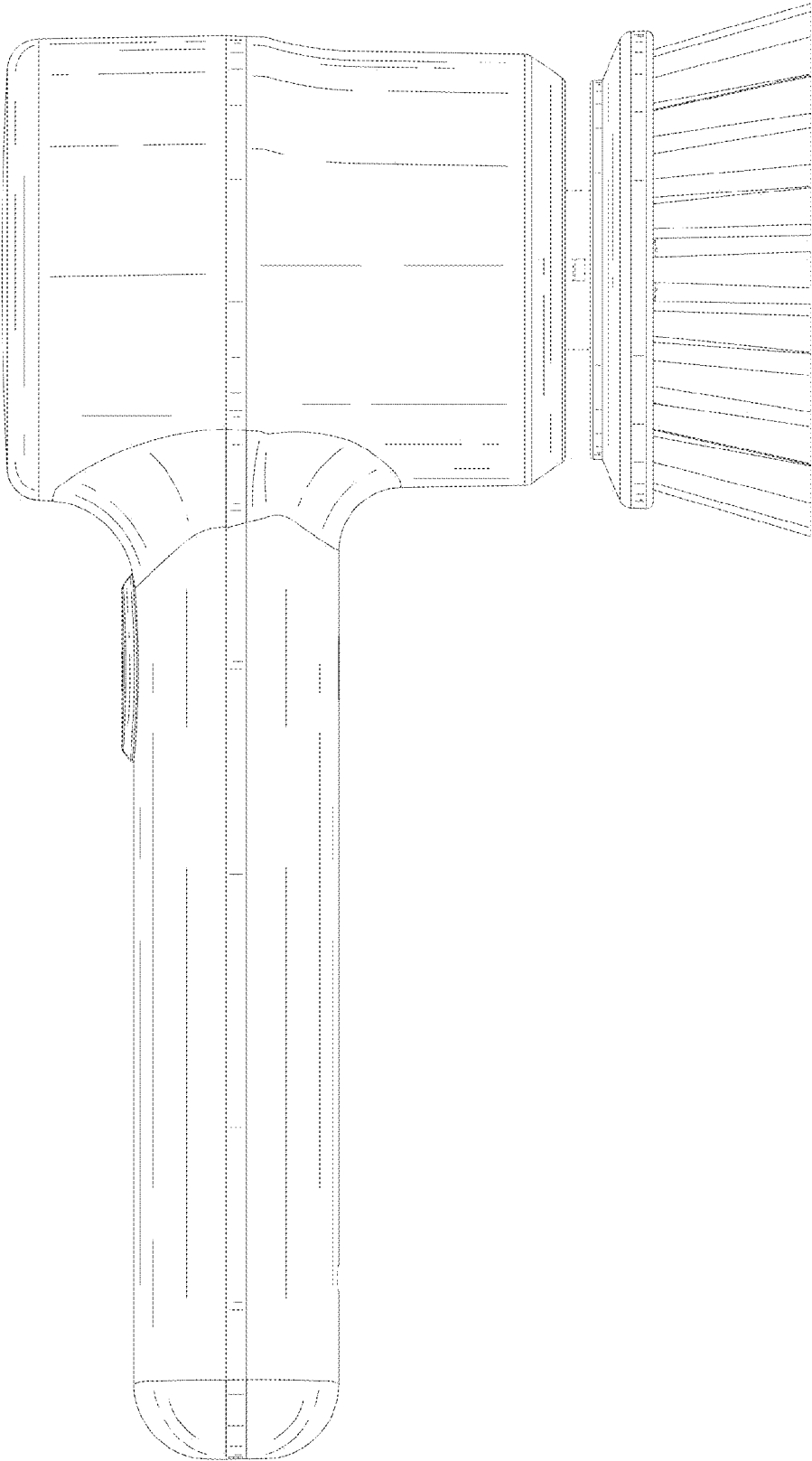


FIG. 5

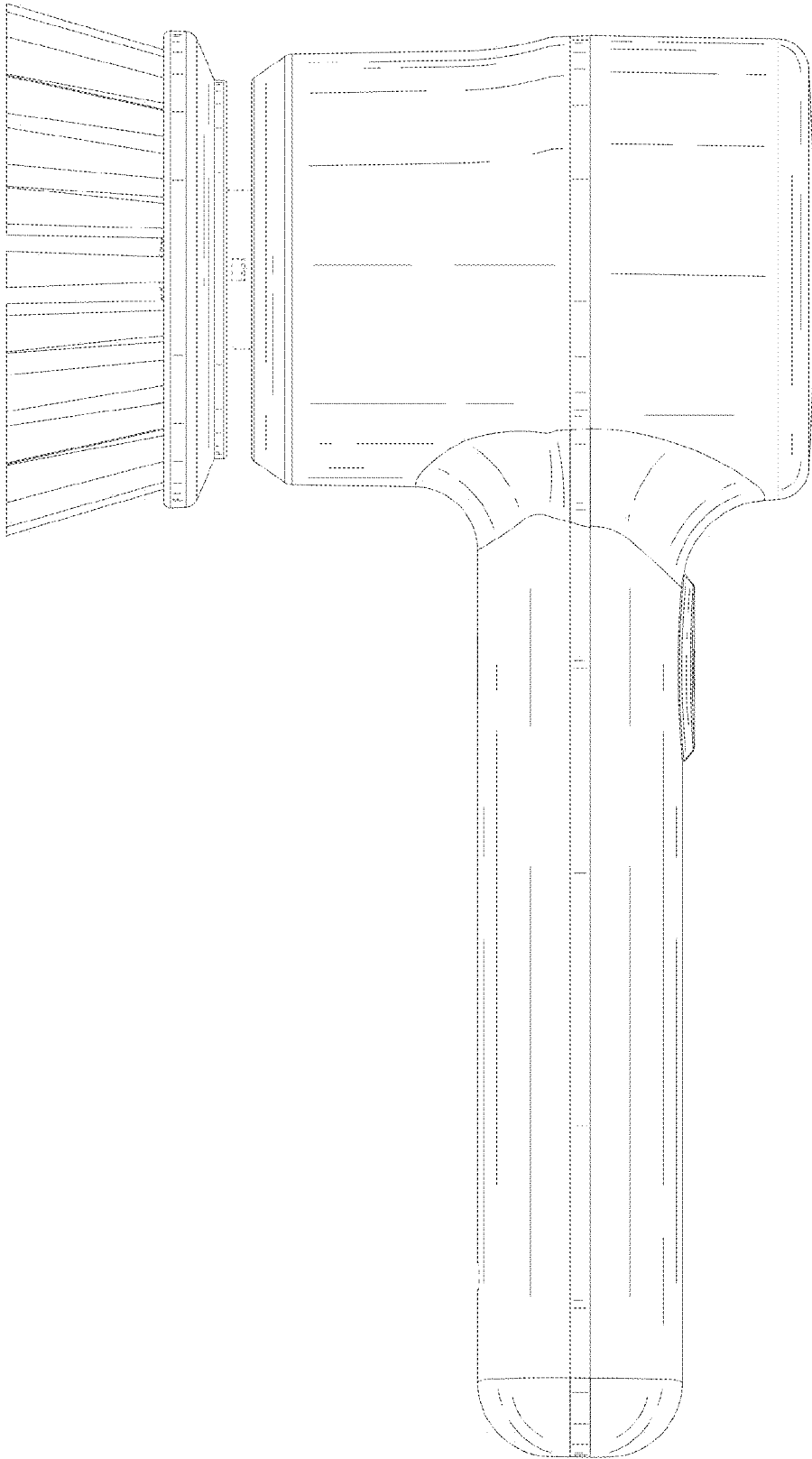


FIG. 6

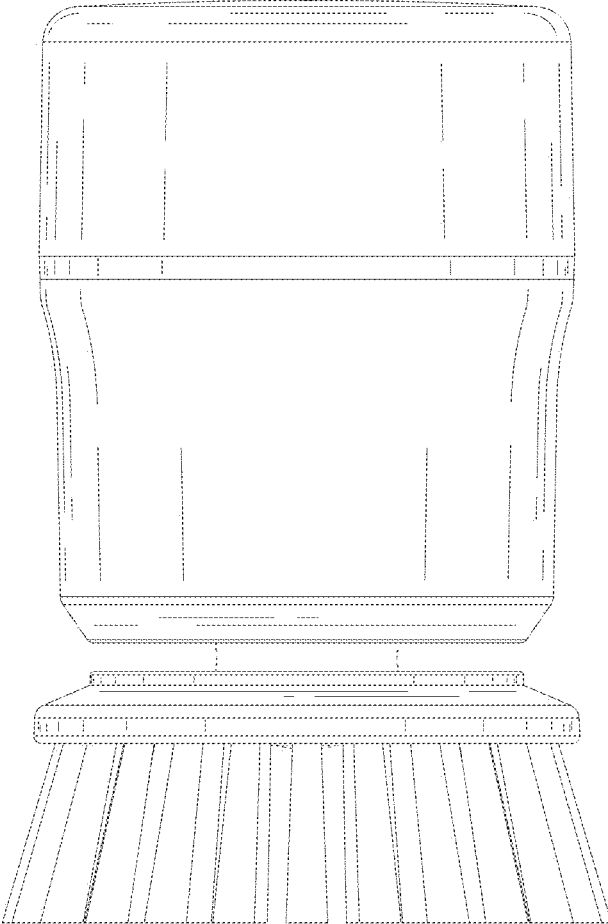


FIG. 7

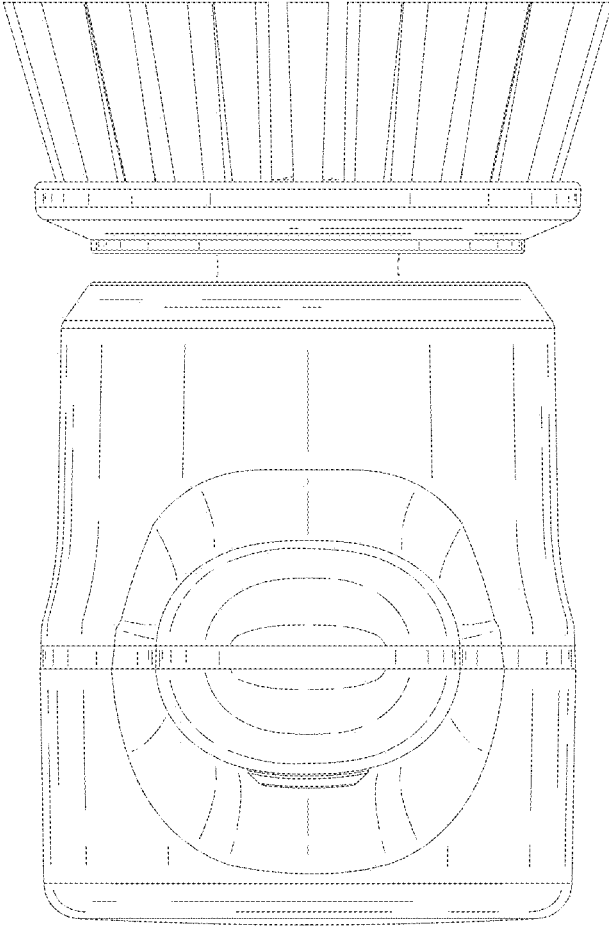


FIG. 8

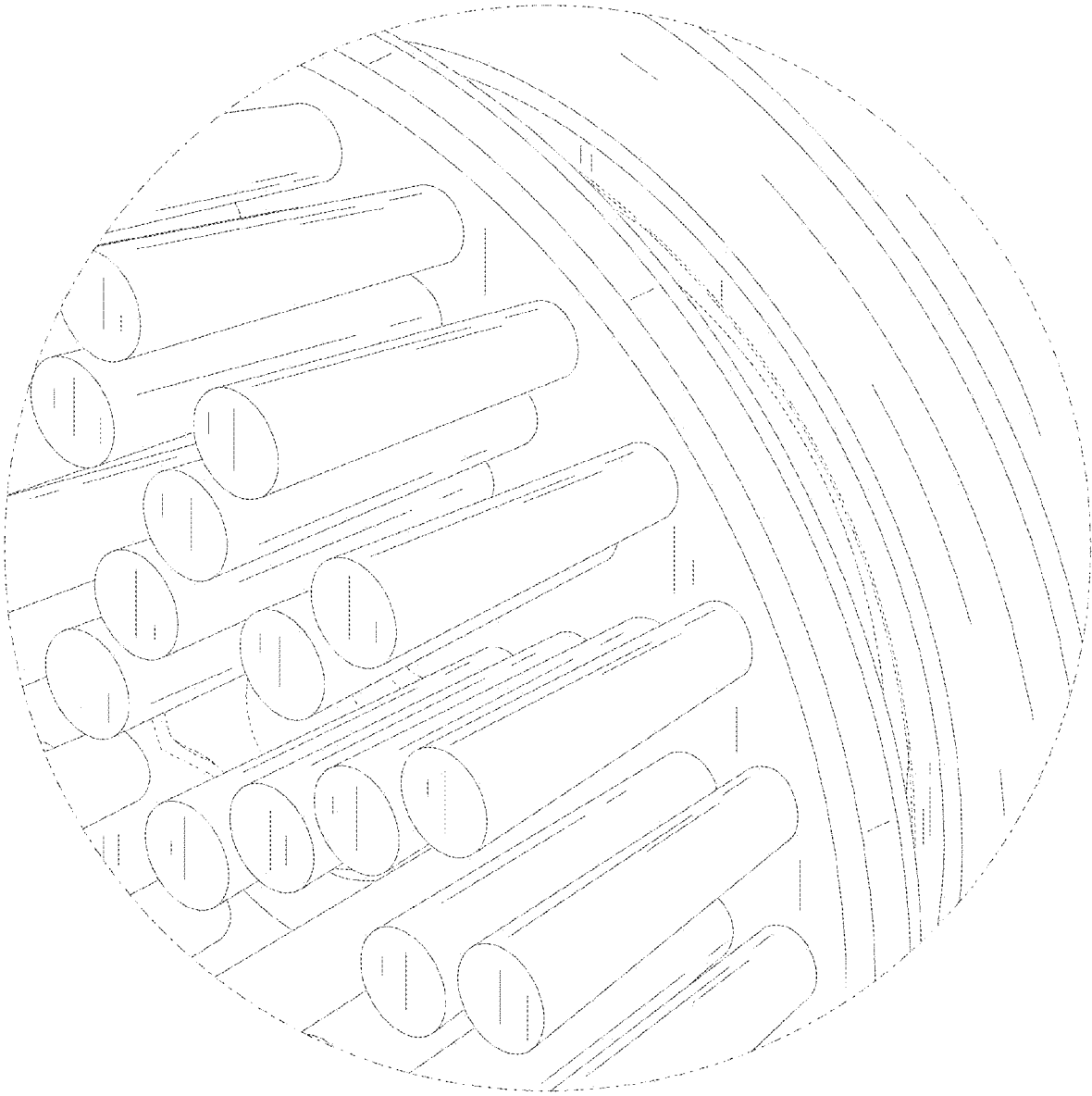


FIG. 9