

(19) World Intellectual Property Organization
International Bureau



(43) International Publication Date
17 April 2008 (17.04.2008)

PCT

(10) International Publication Number
WO 2008/045531 A3

(51) International Patent Classification:

F2IS 8/00 (2006.01) *F2IS 10/02* (2006.01)
A61L 9/03 (2006.01) *H05B 35/00* (2006.01)
A01M 1/20 (2006.01)

(21) International Application Number:

PCT/US2007/021798

(22) International Filing Date: 12 October 2007 (12.10.2007)

(25) Filing Language: English

(26) Publication Language: English

(30) Priority Data:

11/548,940 12 October 2006 (12.10.2006) US

(71) Applicant (for all designated States except US): **S. C. JOHNSON & SON, INC.** [US/US]; 1525 Howe Street, Racine, WI 53403 (US).

(72) Inventors; and

(75) Inventors/Applicants (for US only): **WOLF, Jeffrey, J.** [US/US]; 6443 Anforest Lane, Racine, WI 53406 (US). **WALTER, Scott, D.** [US/US]; 118 Walnut Road, Twin Lakes, WI 53181 (US). **DEMAREST, Scott, W.** [US/US]; 7607 W. River Road, Caledonia, WI 53108 (US). **ROBLING, Darren, K.** [US/US]; 550 Sara Lane, Racine, WI 53402 (US).

(74) Agent: **MILLER, Robert, A.**; S. C. Johnson & Son, Inc., 1525 Howe Street, Racine, WI 53403 (US).

(81) Designated States (unless otherwise indicated, for every kind of national protection available): AE, AG, AL, AM, AT, AU, AZ, BA, BB, BG, BH, BR, BW, BY, BZ, CA, CH, CN, CO, CR, CU, CZ, DE, DK, DM, DO, DZ, EC, EE, EG, ES, FI, GB, GD, GE, GH, GM, GT, HN, HR, HU, ID, IL, IN, IS, JP, KE, KG, KM, KN, KP, KR, KZ, LA, LC, LK, LR, LS, LT, LU, LY, MA, MD, ME, MG, MK, MN, MW, MX, MY, MZ, NA, NG, NI, NO, NZ, OM, PG, PH, PL, PT, RO, RS, RU, SC, SD, SE, SG, SK, SL, SM, SV, SY, TJ, TM, TN, TR, TT, TZ, UA, UG, US, UZ, VC, VN, ZA, ZM, ZW.

(84) Designated States (unless otherwise indicated, for every kind of regional protection available): ARIPO (BW, GH, GM, KE, LS, MW, MZ, NA, SD, SL, SZ, TZ, UG, ZM, ZW), Eurasian (AM, AZ, BY, KG, KZ, MD, RU, TJ, TM), European (AT, BE, BG, CH, CY, CZ, DE, DK, EE, ES, FI, FR, GB, GR, HU, IE, IS, IT, LT, LU, LV, MC, MT, NL, PL, PT, RO, SE, SI, SK, TR), OAPI (BF, BJ, CF, CG, CI, CM, GA, GN, GQ, GW, ML, MR, NE, SN, TD, TG).

Published:

— with international search report

(88) Date of publication of the international search report:
31 July 2008

(54) Title: COLOR-CHANGING OUTDOOR LIGHTS WITH ACTIVE INGREDIENT AND SOUND EMISSION

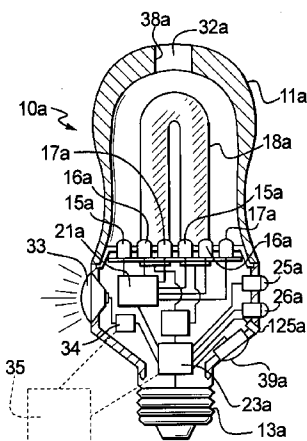


FIG. 2

(57) Abstract: An outdoor light system (75) comprising a plurality of light elements (10) linked to a central controller (23). Each light element include a translucent shell (11) and a plurality of LEDs (15,16,17) positioned so as to emit a light show through the shell (11). A compartment for receiving a replaceable volatile active cartridge (27) and a heater (24) for enabling the device to emit an active ingredient from the cartridge (27). A white light source (18,18a) may be provided in each device along with the LEDs (15,16,17). The devices can be used as white light sources, for displaying a coordinated colored light shows, for displaying colored light schemes and for volatile active emission. The devices of the disclosed system may include an acoustic transducer (33), a light sensor (25a), a motion detector (25a) and/or a acoustic receiver (26a) thereby enabling light and sound shows to be dependent upon ambient light intensity, motion detection and/or ambient noise. The system is suitable for outdoor home lighting, porch and deck lighting and path/driveway lighting.

WO 2008/045531 A3

INTERNATIONAL SEARCH REPORT

International application No
PCT/US2007/021798

A. CLASSIFICATION OF SUBJECT MATTER
 INV. F21S8/00 A61L9/03 A01M1/20 F21S10/02 H05B35/00
 ADD. F21W111/023 F21Y101/02

According to International Patent Classification (IPC) or to both national classification and IPC

B. FIELDS SEARCHED
 Minimum documentation searched (classification system followed by classification symbols)
 A61L F21S H05B A01M

Documentation searched other than minimum documentation to the extent that such documents are included in the fields searched

Electronic data base consulted during the international search (name of data base and, where practical, search terms used)
 EPO-Internal

C. DOCUMENTS CONSIDERED TO BE RELEVANT

Category*	Citation of document, with indication, where appropriate, of the relevant passages	Relevant to claim No.
X	WO 03/026358 A (COLOR KINETICS INC [US]) 27 March 2003 (2003-03-27)	1-5,7-20
Y	pages 7-12 pages 18-19 page 22, lines 1-10 page 47, lines 10-31 page 51, lines 8-14 pages 52-53 figure 50	6
Y	WO 2005/086245 A (JOHNSON & SON INC S C [US]; WOLF JEFFREY J [US]; PORCHIA JOSE [US]) 15 September 2005 (2005-09-15) paragraphs [0019], [0020]; figure 1	6
A	WO 2004/023850 A (COLOR KINETICS INC [US]) 18 March 2004 (2004-03-18) pages 1-5; figure 19	1-20

Further documents are listed in the continuation of Box C. See patent family annex.

* Special categories of cited documents :

<p>*A* document defining the general state of the art which is not considered to be of particular relevance</p> <p>*E* earlier document but published on or after the international filing date</p> <p>*L* document which may throw doubts on priority claim(s) or which is cited to establish the publication date of another citation or other special reason (as specified)</p> <p>*O* document referring to an oral disclosure, use, exhibition or other means</p> <p>*P* document published prior to the international filing date but later than the priority date claimed</p>	<p>*T* later document published after the international filing date or priority date and not in conflict with the application but cited to understand the principle or theory underlying the invention</p> <p>*X* document of particular relevance; the claimed invention cannot be considered novel or cannot be considered to involve an inventive step when the document is taken alone</p> <p>*Y* document of particular relevance; the claimed invention cannot be considered to involve an inventive step when the document is combined with one or more other such documents, such combination being obvious to a person skilled in the art.</p> <p>* & * document member of the same patent family</p>
--	--

Date of the actual completion of the international search 29 April 2008	Date of mailing of the international search report 08/05/2008
--	--

Name and mailing address of the ISA/ European Patent Office, P.B. 5818 Patentlaan 2 NL - 2280 HV Rijswijk Tel. (+31-70) 340-2040, Tx. 31 651 epo nl, Fax: (+31-70) 340-3016	Authorized officer Chao, Oscar
---	---------------------------------------

INTERNATIONAL SEARCH REPORT

International application No
PCT/US2007/021798

Patent document cited in search report		Publication date	Patent family member(s)	Publication date
WO 03026358	A	27-03-2003	EP 1428415 A1 JP 2005504411 T	16-06-2004 10-02-2005
WO 2005086245	A	15-09-2005	AU 2005219978 A1 CA 2558222 A1 CN 1934389 A EP 1728022 A2 JP 2007526617 T KR 20070007303 A	15-09-2005 15-09-2005 21-03-2007 06-12-2006 13-09-2007 15-01-2007
WO 2004023850	A	18-03-2004	AU 2003268540 A1	29-03-2004