



- (51) International Patent Classification:
G06K 19/08 (2006.01) G06K 19/10 (2006.01)
- (21) International Application Number:
PCT/IN2012/000205
- (22) International Filing Date:
28 March 2012 (28.03.2012)
- (25) Filing Language:
English
- (26) Publication Language:
English
- (30) Priority Data:
976/MUM/2011 29 March 2011 (29.03.2011) IN
- (71) Applicant (for all designated States except US): **BIL-CARE LIMITED** [IN/IN]; 601 ICC Trade Tower, Senapati Bapat Road, Pune 411016 (IN).
- (72) Inventor; and
(71) Applicant (for all designated States except US): **PRAFUL, Ramachandra, Naik** [IN/IN]; c/o Shri R.G. Naik, Santruption, Prabhat Nagar, Vadageri, Honnavar 581 334, Uttara Kanada, Karnataka (IN).
- (72) Inventors: **MORAN, Peter, Malcolm**; Via Morena 5, CH-6900 Massagno (CH). **NARAYAN, Nambudiri**; 65 Lorong G 03-02, Telok Kuarau Road, Singapore 426323 (SG).
- (74) Agent: **GANGULI, Prabuddha**; 101-201 Sun View Heights, Plot No 262, Sher-e-Punjab, Andheri East, Mumbai 400093 (IN).

- (81) Designated States (unless otherwise indicated, for every kind of national protection available): AE, AG, AL, AM, AO, AT, AU, AZ, BA, BB, BG, BH, BR, BW, BY, BZ, CA, CH, CL, CN, CO, CR, CU, CZ, DE, DK, DM, DO, DZ, EC, EE, EG, ES, FI, GB, GD, GE, GH, GM, GT, HN, HR, HU, ID, IL, IN, IS, JP, KE, KG, KM, KN, KP, KR, KZ, LA, LC, LK, LR, LS, LT, LU, LY, MA, MD, ME, MG, MK, MN, MW, MX, MY, MZ, NA, NG, NI, NO, NZ, OM, PE, PG, PH, PL, PT, QA, RO, RS, RU, RW, SC, SD, SE, SG, SK, SL, SM, ST, SV, SY, TH, TJ, TM, TN, TR, TT, TZ, UA, UG, US, UZ, VC, VN, ZA, ZM, ZW.
- (84) Designated States (unless otherwise indicated, for every kind of regional protection available): ARIPO (BW, GH, GM, KE, LR, LS, MW, MZ, NA, RW, SD, SL, SZ, TZ, UG, ZM, ZW), Eurasian (AM, AZ, BY, KG, KZ, MD, RU, TJ, TM), European (AL, AT, BE, BG, CH, CY, CZ, DE, DK, EE, ES, FI, FR, GB, GR, HR, HU, IE, IS, IT, LT, LU, LV, MC, MK, MT, NL, NO, PL, PT, RO, RS, SE, SI, SK, SM, TR), OAPI (BF, BJ, CF, CG, CI, CM, GA, GN, GQ, GW, ML, MR, NE, SN, TD, TG).

Declarations under Rule 4.17:

- as to the identity of the inventor (Rule 4.17(i))
- as to applicant's entitlement to apply for and be granted a patent (Rule 4.17(ii))
- as to the applicant's entitlement to claim the priority of the earlier application (Rule 4.17(iii))
- of inventorship (Rule 4.17(iv))

[Continued on next page]

(54) Title: AUTHENTICATION SYSTEM

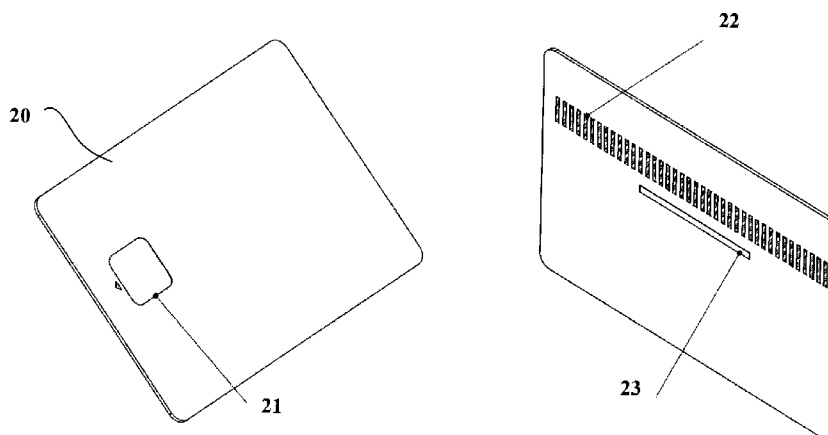


Figure 2

(57) Abstract: The present invention relates to an authentication system comprising an authentication device operating in tandem with a set of digitized and physical identifiers provided on an object to authenticate the said object without needing to communicate with remote systems. The synergistic combination of the object provided with its unique non clonable identifier(s) and digitized correlated information in a local repository in/on the object working in tandem with the authentication device enables accessing, deciphering and converting the accessed information to a digitized signal, extracting the digitized information embedded in the local repository, analyzing the two digitized signals to provide local authentication of the said object without needing the involvement of a remote system.





Published:

(88) Date of publication of the international search report:

18 July 2013

- *with international search report (Art. 21(3))*
- *before the expiration of the time limit for amending the claims and to be republished in the event of receipt of amendments (Rule 48.2(h))*

INTERNATIONAL SEARCH REPORT

International application No
PCT/IN2012/000205

A. CLASSIFICATION OF SUBJECT MATTER
 INV. G06K19/08 G06K19/10
 ADD.
 According to International Patent Classification (IPC) or to both national classification and IPC

B. FIELDS SEARCHED
 Minimum documentation searched (classification system followed by classification symbols)
 G06K
 Documentation searched other than minimum documentation to the extent that such documents are included in the fields searched

Electronic data base consulted during the international search (name of data base and, where practicable, search terms used)
 EPO-Internal, WPI Data

C. DOCUMENTS CONSIDERED TO BE RELEVANT

Category*	Citation of document, with indication, where appropriate, of the relevant passages	Relevant to claim No.
X	EP 0 889 448 A2 (PITNEY BOWES INC [US]) 7 January 1999 (1999-01-07) column 3, line 9 - column 4, line 25 -----	1-24
X	US 2006/091209 A1 (HE DUANFENG [US]) 4 May 2006 (2006-05-04) paragraphs [0021], [0022] paragraph [0028] - paragraph [0030] -----	1-24

Further documents are listed in the continuation of Box C.

See patent family annex.

* Special categories of cited documents :

"A" document defining the general state of the art which is not considered to be of particular relevance	"T" later document published after the international filing date or priority date and not in conflict with the application but cited to understand the principle or theory underlying the invention
"E" earlier application or patent but published on or after the international filing date	"X" document of particular relevance; the claimed invention cannot be considered novel or cannot be considered to involve an inventive step when the document is taken alone
"L" document which may throw doubts on priority claim(s) or which is cited to establish the publication date of another citation or other special reason (as specified)	"Y" document of particular relevance; the claimed invention cannot be considered to involve an inventive step when the document is combined with one or more other such documents, such combination being obvious to a person skilled in the art
"O" document referring to an oral disclosure, use, exhibition or other means	"&" document member of the same patent family
"P" document published prior to the international filing date but later than the priority date claimed	

Date of the actual completion of the international search 27 May 2013	Date of mailing of the international search report 03/06/2013
---	---

Name and mailing address of the ISA/ European Patent Office, P.B. 5818 Patentlaan 2 NL - 2280 HV Rijswijk Tel. (+31-70) 340-2040, Fax: (+31-70) 340-3016	Authorized officer A1-Hazam, Lorens
--	---

INTERNATIONAL SEARCH REPORT

Information on patent family members

International application No PCT/IN2012/000205

Patent document cited in search report	Publication date	Patent family member(s)	Publication date	
EP 0889448	A2	07-01-1999	CA 2242671 A1	01-01-1999
			DE 69819243 D1	04-12-2003
			DE 69819243 T2	29-07-2004
			EP 0889448 A2	07-01-1999
			US 6904525 B1	07-06-2005

US 2006091209	A1	04-05-2006	CN 101189613 A	28-05-2008
			EP 1891567 A2	27-02-2008
			JP 2008542916 A	27-11-2008
			US 2006091209 A1	04-05-2006
			WO 2006130444 A2	07-12-2006
