



(51) International Patent Classification:

A47C 7/00 (2006.01) A47C 3/20 (2006.01)
A47C 3/16 (2006.01) A61G 5/10 (2006.01)

(21) International Application Number:

PCT/IB2013/000927

(22) International Filing Date:

6 March 2013 (06.03.2013)

(25) Filing Language:

English

(26) Publication Language:

English

(30) Priority Data:

61/607,278 6 March 2012 (06.03.2012) US

(71) Applicant: **MOTION CONCEPTS CANADA** [—/CA];
One Pine Needle Drive, Aurora, ON L4G 4Y8 (CA).

(72) Inventor: **CIOLFE, David**; 84 Citation Drive, Concord,
ON L4K 3C1 (CA).

(74) Agents: **BARRANS, David J.** et al.; Osler, Hoskin & Har-
court LLP, Suite 1900, 340 Albert Street, Ottawa, ON K1R
7Y6 (CA).

(81) Designated States (unless otherwise indicated, for every

kind of national protection available): AE, AG, AL, AM, AO, AT, AU, AZ, BA, BB, BG, BH, BN, BR, BW, BY, BZ, CA, CH, CL, CN, CO, CR, CU, CZ, DE, DK, DM, DO, DZ, EC, EE, EG, ES, FI, GB, GD, GE, GH, GM, GT, HN, HR, HU, ID, IL, IN, IS, JP, KE, KG, KM, KN, KP, KR, KZ, LA, LC, LK, LR, LS, LT, LU, LY, MA, MD, ME, MG, MK, MN, MW, MX, MY, MZ, NA, NG, NI, NO, NZ, OM, PA, PE, PG, PH, PL, PT, QA, RO, RS, RU, RW, SC, SD, SE, SG, SK, SL, SM, ST, SV, SY, TH, TJ, TM, TN, TR, TT, TZ, UA, UG, US, UZ, VC, VN, ZA, ZM, ZW.

(84) Designated States (unless otherwise indicated, for every

kind of regional protection available): ARIPO (BW, GH, GM, KE, LR, LS, MW, MZ, NA, RW, SD, SL, SZ, TZ, UG, ZM, ZW), Eurasian (AM, AZ, BY, KG, KZ, RU, TJ, TM), European (AL, AT, BE, BG, CH, CY, CZ, DE, DK, EE, ES, FI, FR, GB, GR, HR, HU, IE, IS, IT, LT, LU, LV, MC, MK, MT, NL, NO, PL, PT, RO, RS, SE, SI, SK, SM, TR), OAPI (BF, BJ, CF, CG, CI, CM, GA, GN, GQ, GW, ML, MR, NE, SN, TD, TG).

Published:

— with international search report (Art. 21(3))

[Continued on next page]

(54) Title: LOW PROFILE SEAT FRAME

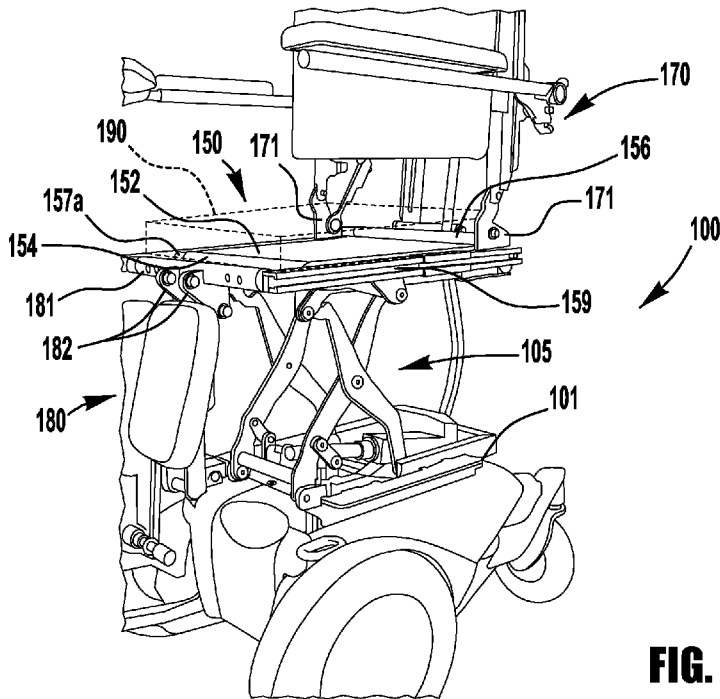


FIG. 6B

(57) Abstract: A wheelchair includes a chassis, a positioning module, a seat frame, and a seat. The positioning module is mounted to an upper portion of the chassis. The seat frame includes a support member secured to and spanning a seating area of the positioning module and a front frame member secured to a front end of the support member and overhanging a front edge of the seating area of the positioning module, such that the seat frame at least partially straddles the positioning module. The front frame member is connected with and at least partially supports at least one of a side frame member, foot rest, leg rest and arm rest assembled with and supported by the front frame member. The seat is secured to an upper surface of the support member.



(88) Date of publication of the international search report:
21 November 2013

INTERNATIONAL SEARCH REPORT

International application No.
PCT/IB2013/000927

A. CLASSIFICATION OF SUBJECT MATTER
 IPC: **A47C 7/00** (2006.01) , **A47C 3/16** (2006.01) , **A47C 3/20** (2006.01) , **A61G 5/10** (2006.01)
 According to International Patent Classification (IPC) or to both national classification and IPC

B. FIELDS SEARCHED

Minimum documentation searched (classification system followed by classification symbols)
 IPC(2006.01) A47C 7/00, 3/16, 3/20, A61G 5/10 USPC: 5/98,1-99.1, 297/283.1-283.4, 411.1, 440.1-440.24, 280/304.1
 Canadian Patent Classification: 155/*, 155/12.2 - 155/12.4, 155/42, 55/30, 155/37 - 155/38.1

Documentation searched other than minimum documentation to the extent that such documents are included in the fields searched

Electronic database(s) consulted during the international search (name of database(s) and, where practicable, search terms used)
 EPOQUE (Epodoc, English Full Text), esp@cenet, West, Canadian Patent Database
 Keywords: wheelchair, chassis, frame, support, chair, position, adjust, tilt*, elevat*, seat, low, mount*, telescopic*, module

C. DOCUMENTS CONSIDERED TO BE RELEVANT

Category*	Citation of document, with indication, where appropriate, of the relevant passages	Relevant to claim No.
A	US 2007/0278761 A1 (FIRTH, C. B.) 06 December 2007 (06-12-2007) *entire document*	1-20
A	US 3,853,372 A (MEYER, W.) 10 December 1974 (10-12-1974) *entire document*	1-20
A	EP 0361,774 A1 (GARMAN, D. E. T. et al.) 04 April 1990 (04-04-1990) *entire document*	1-20
A	US 5,674,041 A (SMITH, JR. D. J. et al.) 07 October 1997 (07-10-1997) *entire document*	1-20

Further documents are listed in the continuation of Box C. See patent family annex.

* Special categories of cited documents :	"T" later document published after the international filing date or priority date and not in conflict with the application but cited to understand the principle or theory underlying the invention
"A" document defining the general state of the art which is not considered to be of particular relevance	"X" document of particular relevance; the claimed invention cannot be considered novel or cannot be considered to involve an inventive step when the document is taken alone
"E" earlier application or patent but published on or after the international filing date	"Y" document of particular relevance; the claimed invention cannot be considered to involve an inventive step when the document is combined with one or more other such documents, such combination being obvious to a person skilled in the art
"L" document which may throw doubts on priority claim(s) or which is cited to establish the publication date of another citation or other special reason (as specified)	"&" document member of the same patent family
"O" document referring to an oral disclosure, use, exhibition or other means	
"P" document published prior to the international filing date but later than the priority date claimed	

Date of the actual completion of the international search 21 August 2013 (21-08-2013)	Date of mailing of the international search report 04 September 2013 (04-09-2013)
--	--

Name and mailing address of the ISA/CA Canadian Intellectual Property Office Place du Portage I, C114 - 1st Floor, Box PCT 50 Victoria Street Gatineau, Quebec K1A 0C9 Facsimile No.: 001-819-953-2476	Authorized officer Krystyna Bielunska (819) 934-3416
---	---

INTERNATIONAL SEARCH REPORT
Information on patent family members

International application No.
PCT/IB2013/000927

Patent Document Cited in Search Report	Publication Date	Patent Family Member(s)	Publication Date
US2007278761A1	06 December 2007 (06-12-2007)	EP1859767A1 GB0610313D0 GB0709950D0 GB2439173A	28 November 2007 (28-11-2007) 05 July 2006 (05-07-2006) 04 July 2007 (04-07-2007) 19 December 2007 (19-12-2007)
US3853372A	10 December 1974 (10-12-1974)	BE781267A1 CH551189A DE2210492A1 DE2210492B2 DE2210492C3 FR2131678A5 GB1375911A	17 July 1972 (17-07-1972) 15 July 1974 (15-07-1974) 13 September 1973 (13-09-1973) 08 May 1980 (08-05-1980) 08 January 1981 (08-01-1981) 10 November 1972 (10-11-1972) 04 December 1974 (04-12-1974)
EP0361774A1	04 April 1990 (04-04-1990)	AT83914T DE68904151D1 DE68904151T2 EP0361774B1 GB8921277D0 GB2225558A GB2225558B GB8822894D0 GB8901157D0 JPH02124158A JP2708911B2 US4993736A	15 January 1993 (15-01-1993) 11 February 1993 (11-02-1993) 29 July 1993 (29-07-1993) 30 December 1992 (30-12-1992) 08 November 1989 (08-11-1989) 06 June 1990 (06-06-1990) 29 July 1992 (29-07-1992) 02 November 1988 (02-11-1988) 15 March 1989 (15-03-1989) 11 May 1990 (11-05-1990) 04 February 1998 (04-02-1998) 19 February 1991 (19-02-1991)
US5674041A	07 October 1997 (07-10-1997)	None	