



US00D405477S

**United States Patent** [19]  
**Ota et al.**

[11] **Patent Number:** **Des. 405,477**  
[45] **Date of Patent:** **\*\*Feb. 9, 1999**

[54] **CASSETTE FOR A GAME MACHINE**  
[75] Inventors: **Masahiko Ota, Uji; Kenichi Sugino,**  
Ibaraki, both of Japan  
[73] Assignee: **Nintendo Co., Ltd.,** Japan  
[\*\*] Term: **14 Years**

D. 362,846	10/1995	Inoue et al. ....	D14/121
D. 375,090	10/1996	Lambert et al. .	
4,095,791	6/1978	Smith et al. ....	463/46 X
4,149,027	4/1979	Asher et al. ....	463/44
4,865,321	9/1989	Nakagawa et al. ....	463/44 X
5,362,068	11/1994	Liu .....	463/44
5,653,638	8/1997	Nagata .....	463/44

[21] Appl. No.: **79,175**  
[22] Filed: **Oct. 23, 1997**

**Related U.S. Application Data**

[63] Continuation-in-part of Ser. No. 73,621, Jul. 11, 1997.  
[51] **LOC (6) Cl.** ..... **21-01**  
[52] **U.S. Cl.** ..... **D21/332**  
[58] **Field of Search** ..... D21/1, 48, 13;  
273/148 B; 463/1, 29-35, 43-47; D14/121,  
114, 124

[56] **References Cited**

**U.S. PATENT DOCUMENTS**

D. 260,515	9/1981	Welch et al. .	
D. 330,370	10/1992	Tseng .....	D14/121 X
D. 333,686	3/1993	Barr et al. ....	D21/332 X
D. 350,353	9/1994	Schulman .	
D. 350,992	9/1994	Barr .....	D21/332
D. 362,692	9/1995	Rissman et al. ....	D21/332

**OTHER PUBLICATIONS**

Nintendo Games, Oct. 1996.

*Primary Examiner*—Prabhakar G. Deshmukh  
*Attorney, Agent, or Firm*—Nixon & Vanderhye P.C.

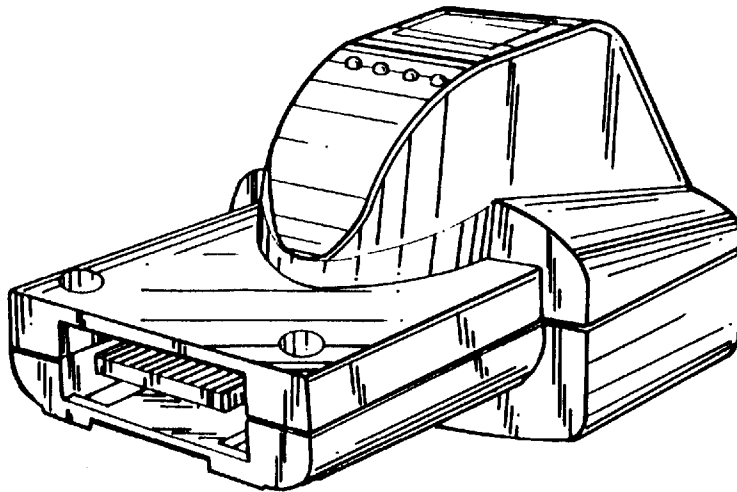
[57] **CLAIM**

The ornamental design for a cassette for a game machine, as shown and described.

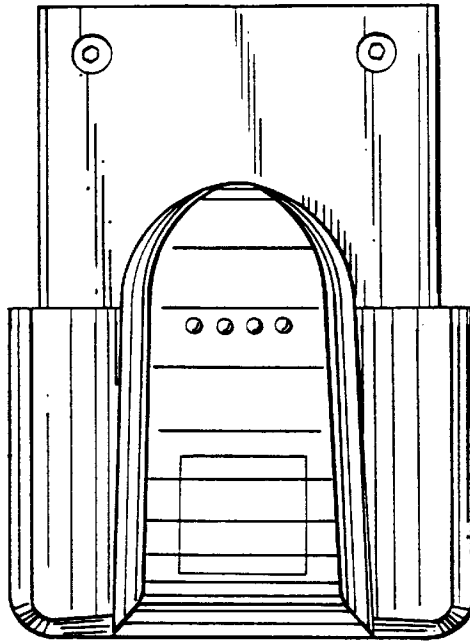
**DESCRIPTION**

FIG. 1 is a front elevation view of the cassette for a game machine in accordance with a first embodiment of our new design;  
FIG. 2 is a top plan view thereof;  
FIG. 3 is a bottom plan view thereof; and,  
FIG. 4 is a left side view thereof, the right side view being a mirror image thereof;  
FIG. 5 is a rear elevation view thereof; and,  
FIG. 6 is a perspective view thereof.

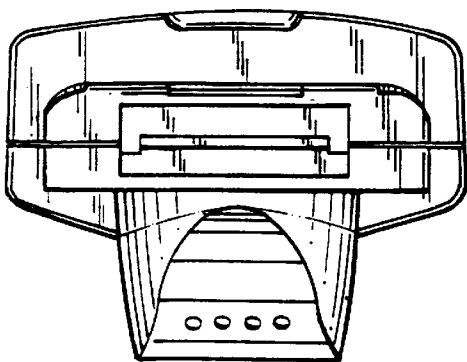
**1 Claim, 3 Drawing Sheets**



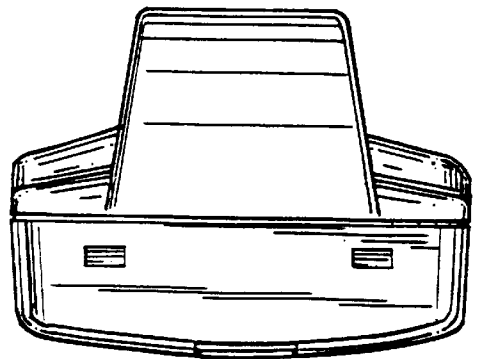
*Fig. 1*



*Fig. 2*



*Fig. 3*



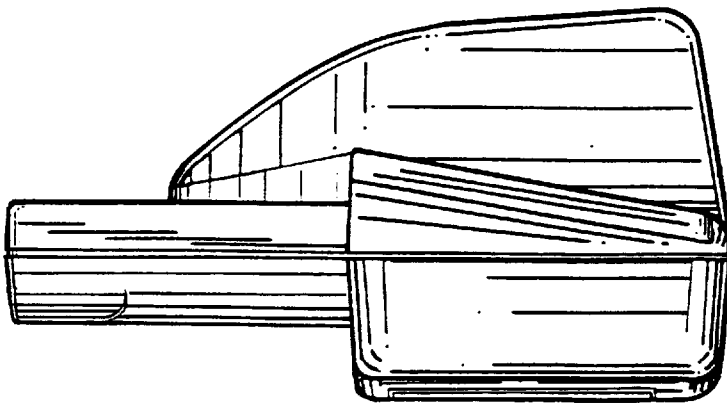


Fig. 4

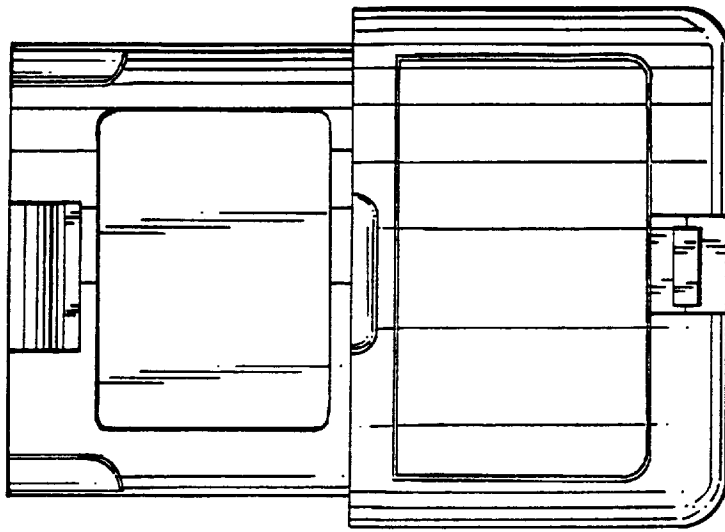


Fig. 5

Fig. 6

