



US00D477973S

(12) **United States Design Patent**  
**Yu**

(10) **Patent No.:** **US D477,973 S**

(45) **Date of Patent:** **\*\* Aug. 5, 2003**

(54) **CORKSCREW**

D467,479 S \* 12/2002 Li ..... D8/39

(75) **Inventor:** **Kwok Leung Yu, Kwai Chung (HK)**

D468,602 S \* 1/2003 Yu ..... D8/39

D471,777 S \* 3/2003 Yu ..... D8/39

(73) **Assignee:** **Ko Fung Products Industrial Limited,**  
**New Territories (HK)**

\* cited by examiner

(\*\*) **Term:** **14 Years**

*Primary Examiner*—Caron D. Veynar

(74) *Attorney, Agent, or Firm*—Rabin & Berdo, P.C.

(21) **Appl. No.:** **29/169,963**

(57) **CLAIM**

(22) **Filed:** **Oct. 30, 2002**

The ornamental design for a corkscrew, as shown and described.

(51) **LOC (7) Cl.** ..... **07-99**

**DESCRIPTION**

(52) **U.S. Cl.** ..... **D8/39**

(58) **Field of Search** ..... D8/33-43; 7/151-156;  
30/400-450; 81/3.07-3.49

FIG. 1 is a front view of a corkscrew showing my new design;

FIG. 2 is a rear view thereof;

FIG. 3 is a right side view thereof;

FIG. 4 is a left side view thereof;

FIG. 5 is a top view thereof;

FIG. 6 is a bottom view thereof;

FIG. 7 is a perspective view thereof; and,

FIG. 8 is a front perspective view with parts in alternative position.

(56)

**References Cited**

**U.S. PATENT DOCUMENTS**

D415,667 S \* 10/1999 de Bergen ..... D8/42

D430,994 S \* 9/2000 Kilduff ..... D8/39

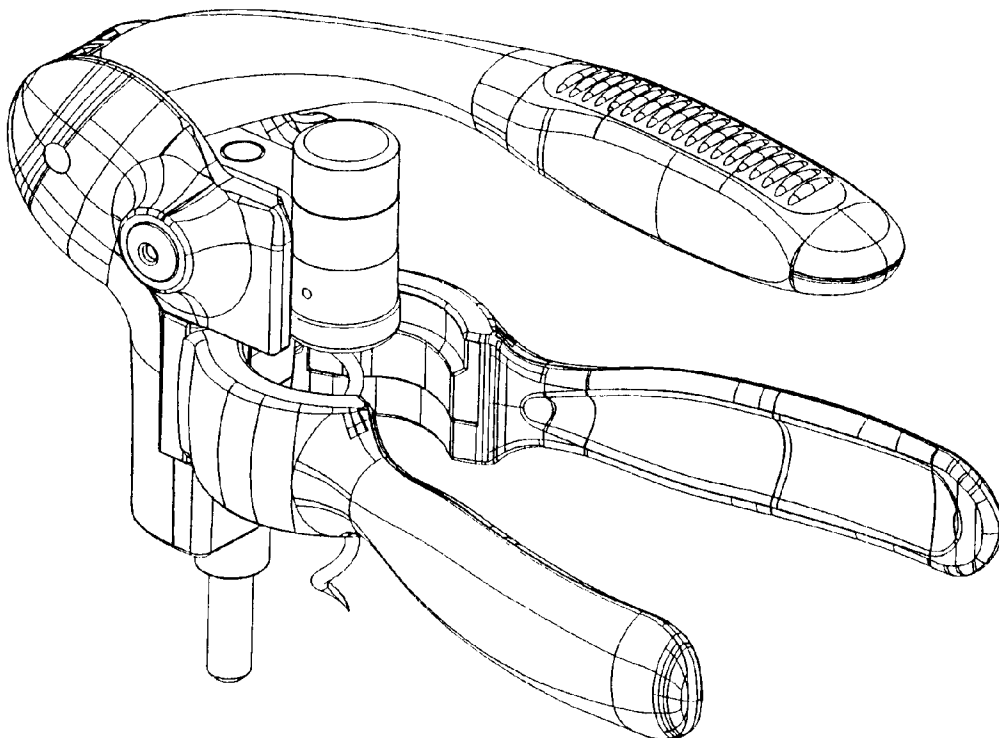
D444,045 S \* 6/2001 Kay ..... D8/39

D446,098 S \* 8/2001 Kilduff ..... D8/39

D465,710 S \* 11/2002 Kao ..... D8/39

D467,141 S \* 12/2002 Li ..... D8/39

**1 Claim, 4 Drawing Sheets**



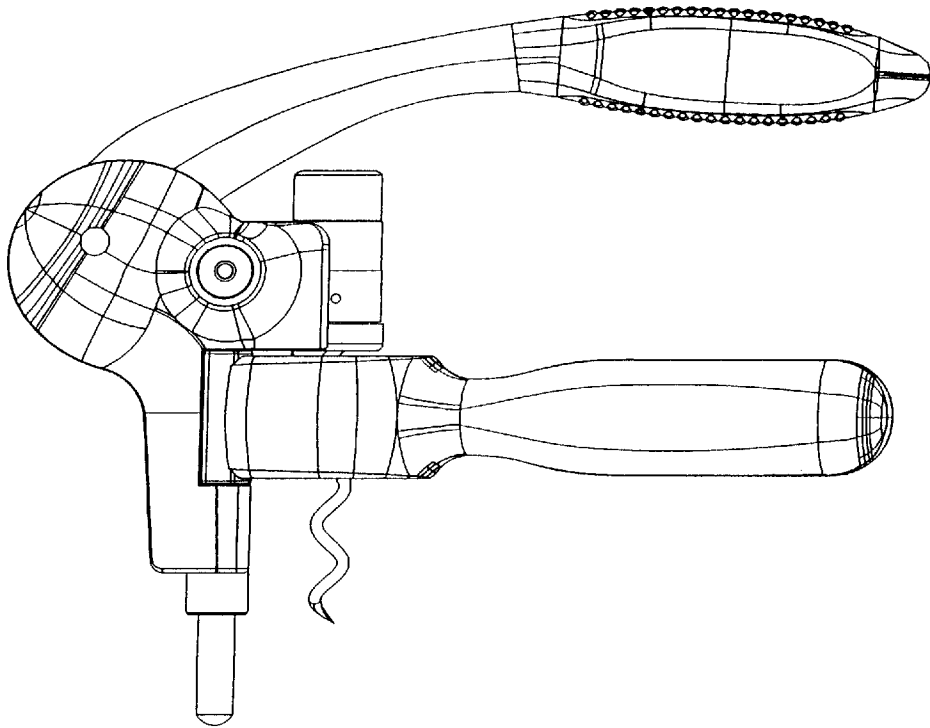


FIG. 1

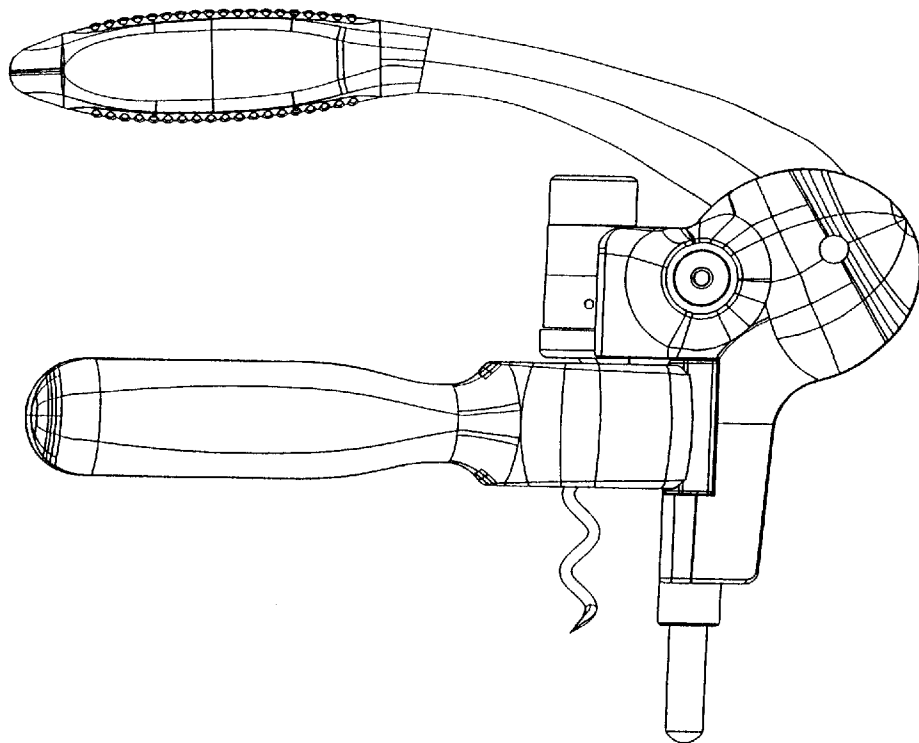


FIG. 2

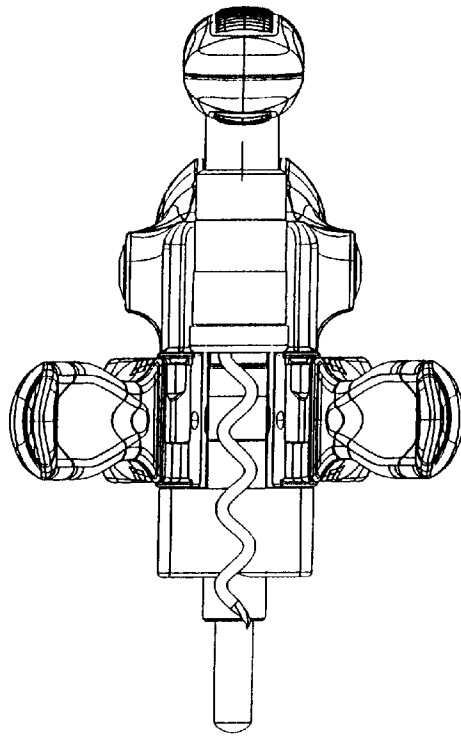


FIG. 3

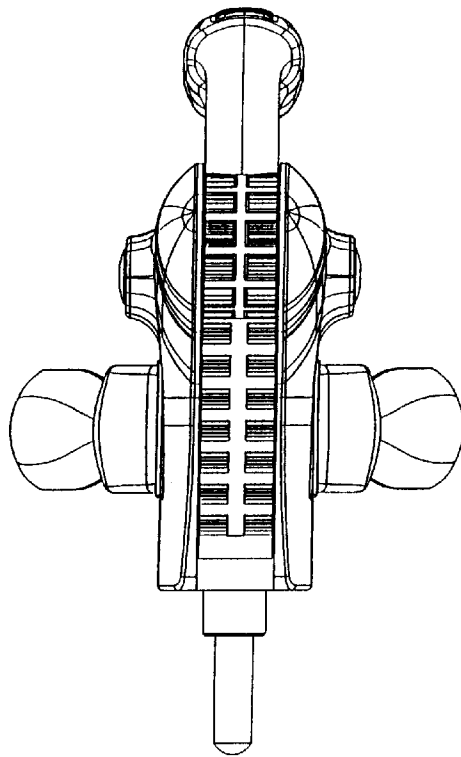


FIG. 4

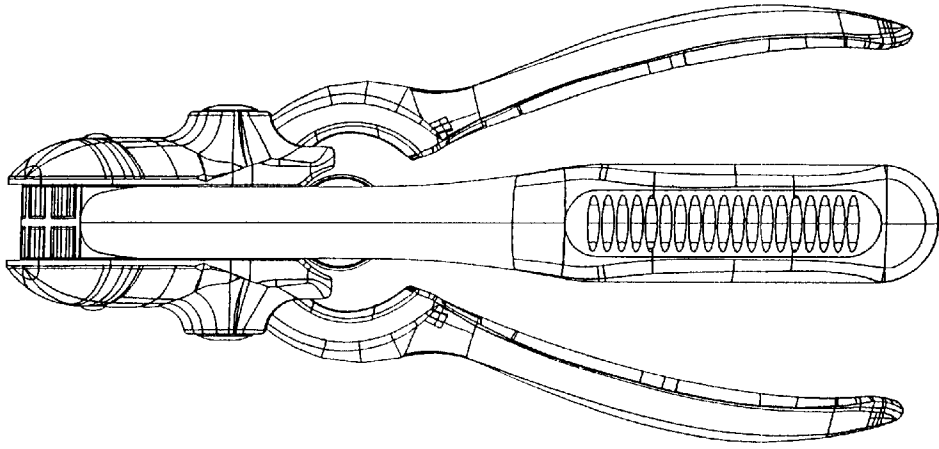


FIG. 5

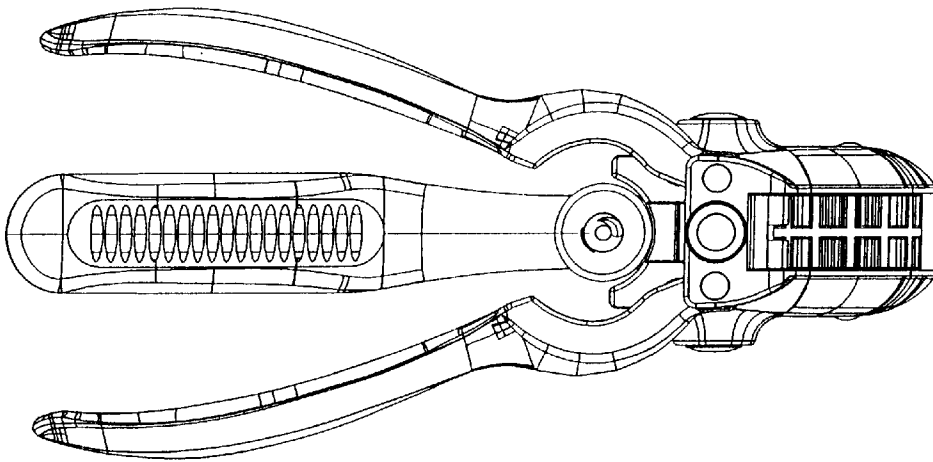


FIG. 6

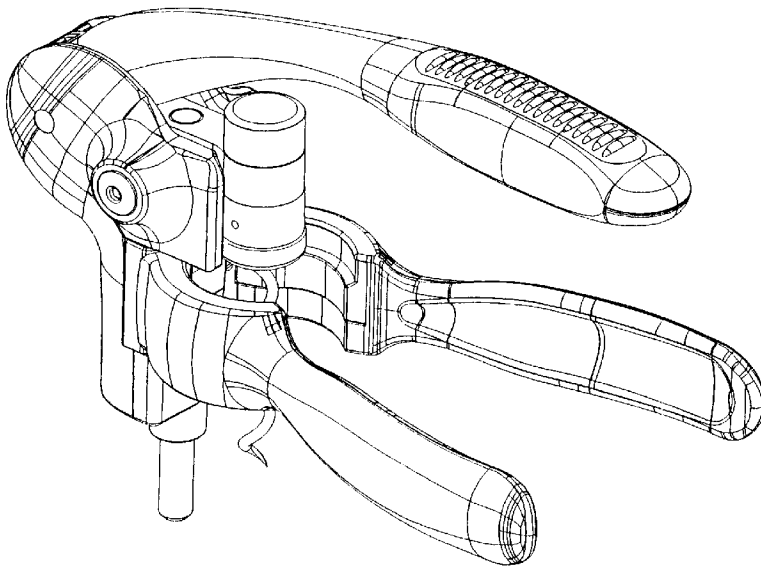


FIG. 7

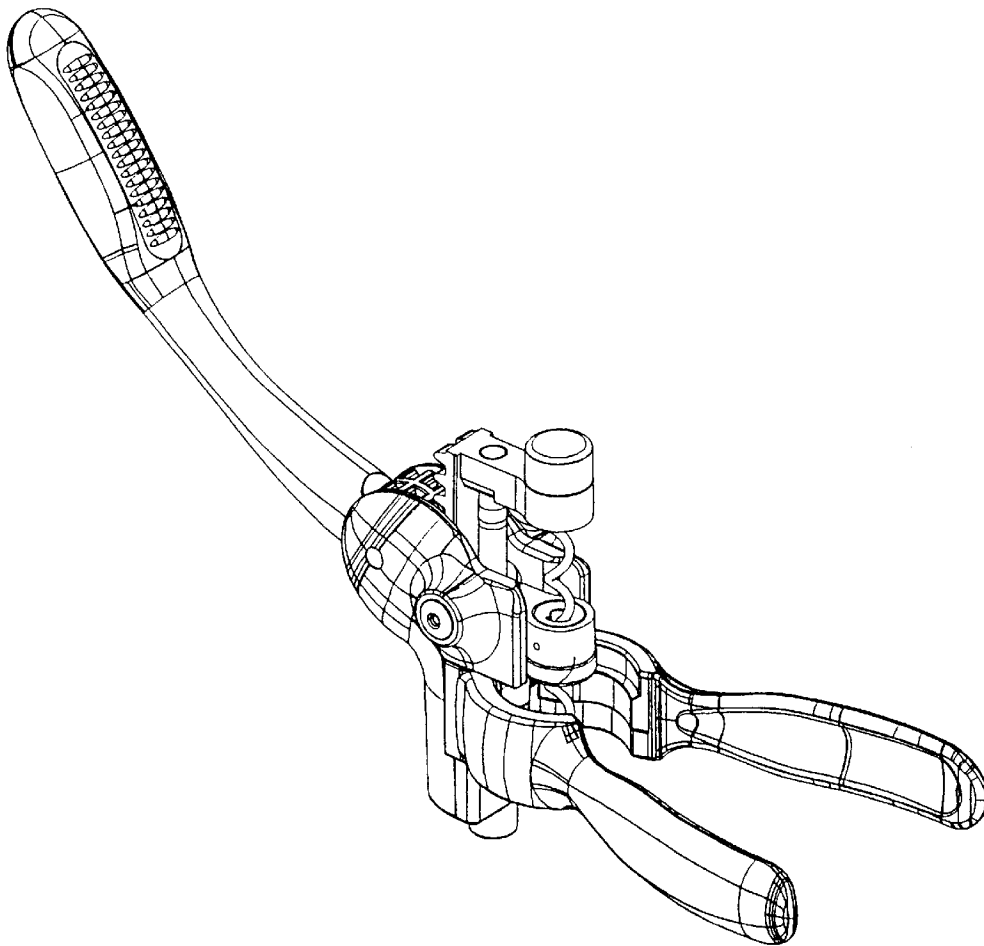


FIG. 8