



US00D413229S

United States Patent [19]
Hopkins et al.

[11] **Patent Number: Des. 413,229**
[45] **Date of Patent: ** Aug. 31, 1999**

[54] **SHELF FOR BARBECUE GRILL STAND**

[75] Inventors: **LaDon Hopkins; Wesley J. Wagner,**
both of Columbus, Ga.; **Jeff Brant,**
Dublin, Ohio

[73] Assignee: **W. C. Bradley Company,** Columbus,
Ga.

[**] Term: **14 Years**

[21] Appl. No.: **29/074,810**

[22] Filed: **Aug. 8, 1997**

[51] **LOC (6) Cl. 07-02**

[52] **U.S. Cl. D7/406**

[58] **Field of Search** D7/332-338, 402-404,
D7/406, 409; 99/419, 421 R, 421 A, 421 HV,
421 HH, 421 TP, 421 V; 126/25 R, 25 A,
25 AA, 26, 9 B, 40, 41 R, 41 A, 41 B;
D6/567, 574, 511; 108/47, 65, 69, 152,
155, 159

[56] **References Cited**

U.S. PATENT DOCUMENTS

D. 298,406 11/1988 Stephen et al. D7/402

D. 362,370 9/1995 Wiese D7/402
D. 375,436 11/1996 Bird et al. D7/403
D. 377,734 2/1997 Bird et al. D7/402
4,331,123 5/1982 Alles 126/9 R
4,688,541 8/1987 Stephen et al. D7/402
5,582,094 12/1996 Peterson et al. 99/445
5,666,941 9/1997 Teufel et al. 126/41 R
5,694,917 12/1997 Giebel et al. 126/41 R

Primary Examiner—Ruth McInroy
Attorney, Agent, or Firm—Thomas, Kayden, Horstemeyer
& Risley, LLP

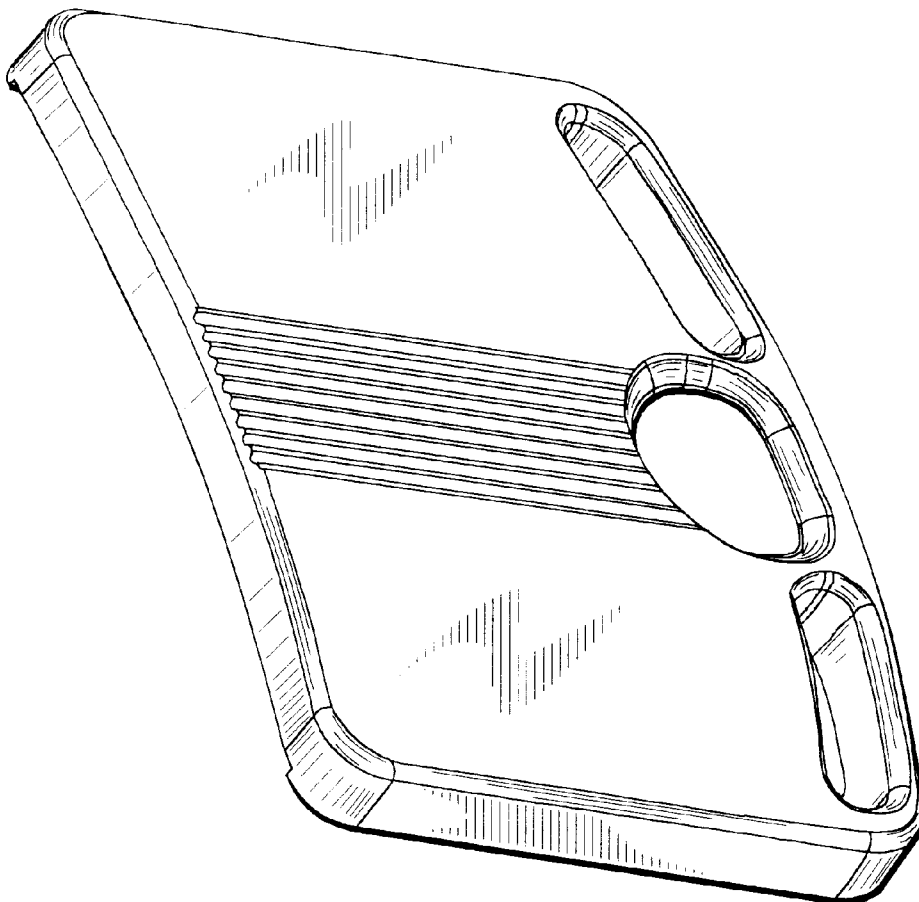
[57] **CLAIM**

The ornamental design for a shelf for barbecue grill stand,
as shown and described.

DESCRIPTION

FIG. 1 is a perspective view of a shelf for barbecue grill
stand showing our new design;
FIG. 2 is a right side elevational view thereof;
FIG. 3 is a left side elevational view thereof;
FIG. 4 is a top plan view thereof;
FIG. 5 is a bottom plan view thereof;
FIG. 6 is a front elevational view thereof; and,
FIG. 7 is a rear elevational view thereof.

1 Claim, 3 Drawing Sheets



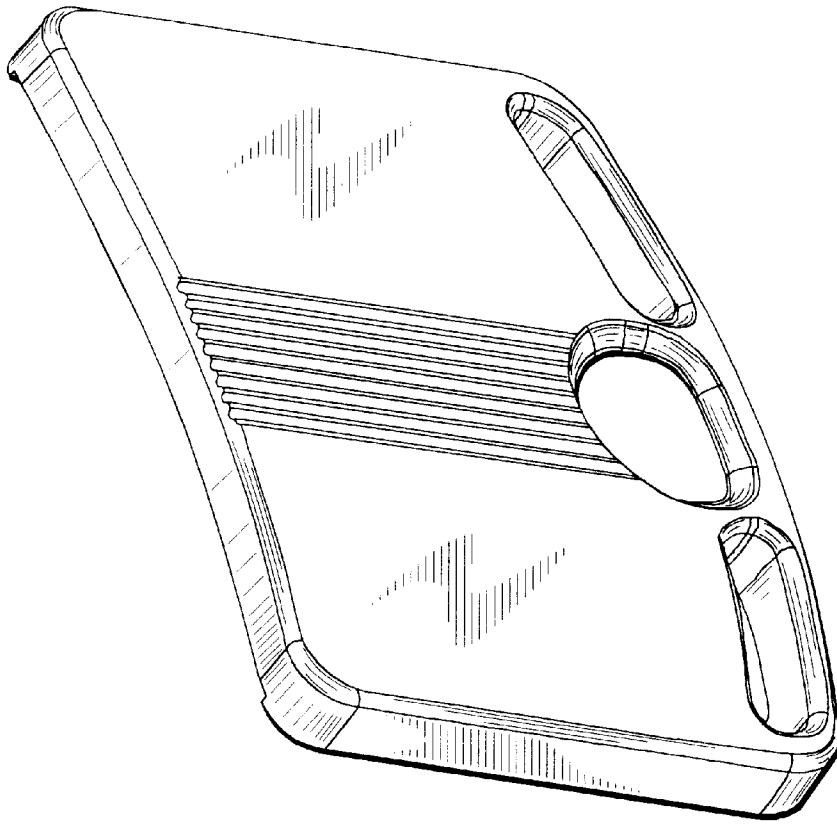


FIG. 1

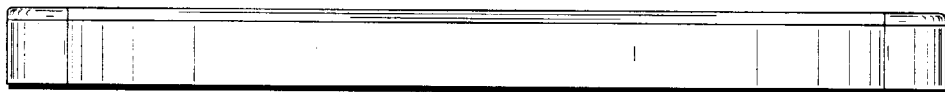


FIG. 2



FIG. 3

FIG. 4

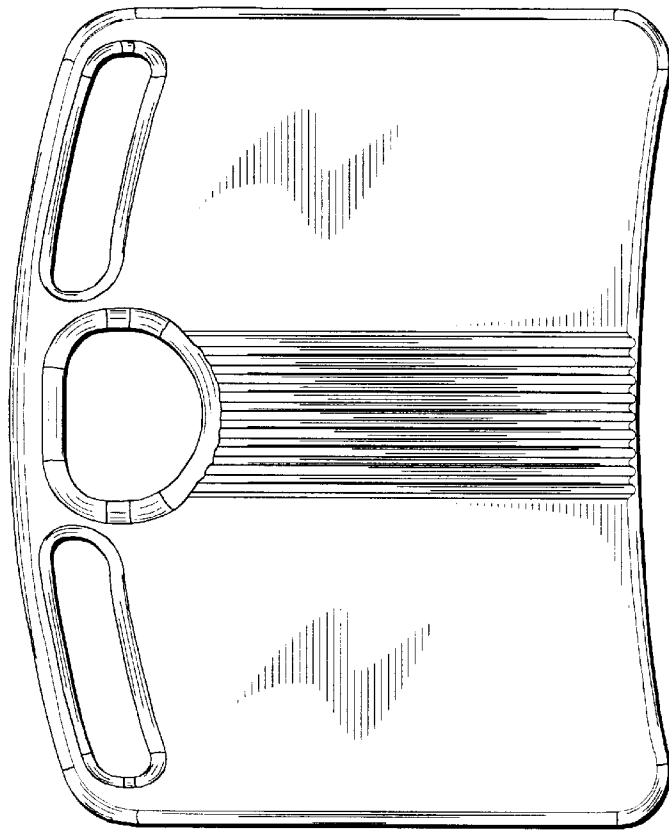
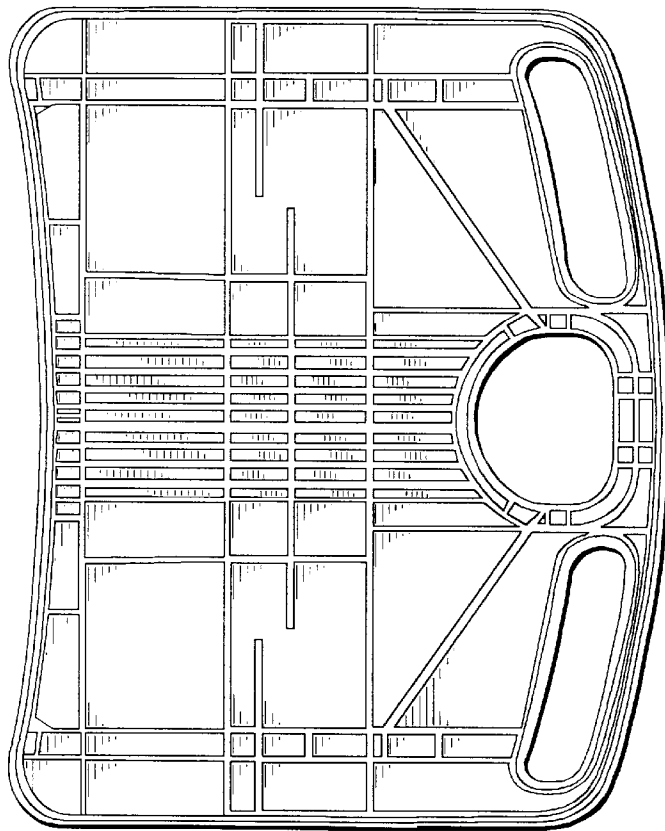


FIG. 5



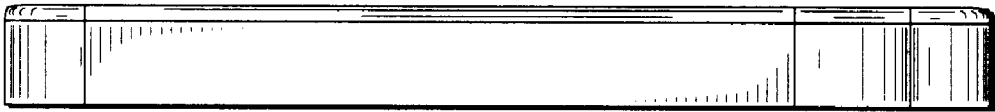


FIG. 6

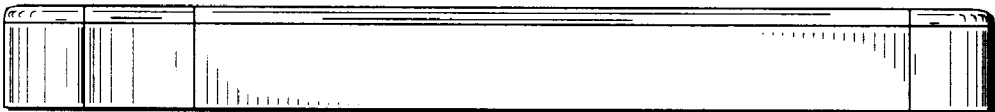


FIG. 7