



- (51) International Patent Classification:
B65D 85/804 (2006.01)
- (21) International Application Number:
PCT/EP2011/068321
- (22) International Filing Date:
20 October 2011 (20.10.2011)
- (25) Filing Language: English
- (26) Publication Language: English
- (30) Priority Data:
10188699.2 25 October 2010 (25.10.2010) EP
- (71) Applicant (for all designated States except US): NESTEC S.A. [CH/CH]; Av. Nestlé 55, CH-1800 Vevey (CH).
- (72) Inventors; and
- (75) Inventors/Applicants (for US only): DOGAN, Nihan [TR/CH]; Route des Monts-de-Lavaux 460, CH-1090 La Croix-sur-Lutry (CH). GOUX, Samuel [FR/FR]; 2 Grande Route, F-25160 Les Grangettes (FR).
- (74) Common Representative: NESTEC S.A.; Av. Nestlé 55, Attn: Samuel ODET, CH-1800 Vevey (CH).
- (81) Designated States (unless otherwise indicated, for every kind of national protection available): AE, AG, AL, AM, AO, AT, AU, AZ, BA, BB, BG, BH, BR, BW, BY, BZ, CA, CH, CL, CN, CO, CR, CU, CZ, DE, DK, DM, DO,

DZ, EC, EE, EG, ES, FI, GB, GD, GE, GH, GM, GT, HN, HR, HU, ID, IL, IN, IS, JP, KE, KG, KM, KN, KP, KR, KZ, LA, LC, LK, LR, LS, LT, LU, LY, MA, MD, ME, MG, MK, MN, MW, MX, MY, MZ, NA, NG, NI, NO, NZ, OM, PE, PG, PH, PL, PT, QA, RO, RS, RU, RW, SC, SD, SE, SG, SK, SL, SM, ST, SV, SY, TH, TJ, TM, TN, TR, TT, TZ, UA, UG, US, UZ, VC, VN, ZA, ZM, ZW.

(84) Designated States (unless otherwise indicated, for every kind of regional protection available): ARIPO (BW, GH, GM, KE, LR, LS, MW, MZ, NA, RW, SD, SL, SZ, TZ, UG, ZM, ZW), Eurasian (AM, AZ, BY, KG, KZ, MD, RU, TJ, TM), European (AL, AT, BE, BG, CH, CY, CZ, DE, DK, EE, ES, FI, FR, GB, GR, HR, HU, IE, IS, IT, LT, LU, LV, MC, MK, MT, NL, NO, PL, PT, RO, RS, SE, SI, SK, SM, TR), OAPI (BF, BJ, CF, CG, CI, CM, GA, GN, GQ, GW, ML, MR, NE, SN, TD, TG).

Declarations under Rule 4.17:

- as to applicant's entitlement to apply for and be granted a patent (Rule 4.17(ii))
- as to the applicant's entitlement to claim the priority of the earlier application (Rule 4.17(iii))
- of inventorship (Rule 4.17(iv))

Published:

- with international search report (Art. 21(3))

[Continued on next page]

(54) Title: A CAPSULE FOR PREPARATION OF A BEVERAGE

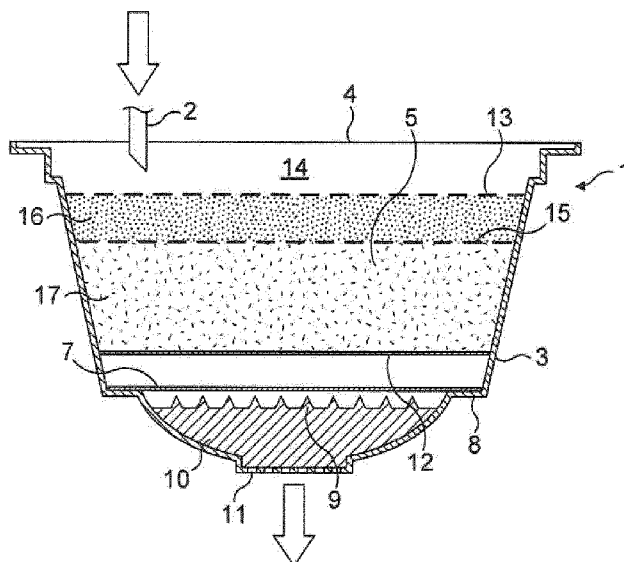


FIG. 2

(57) Abstract: The present invention is directed to a capsule (1) for delivering a drink by injecting a pressurized fluid into the capsule comprising: a hollow body and an injection wall (4) which is impermeable to liquids and to gas and which is attached to the body and adapted to be punctured by an injection means (2) foreign to the capsule, a chamber (5) containing a bed of at least one food substance to be extracted, means (7, 9, 10) for retaining the internal pressure in the said chamber, said means comprising a pierceable membrane (7), characterized in that said capsule (1) further comprises a secondary means (12) for maintaining the bed of substance at a distance d from said pierceable membrane (7), said distance d being at least 1 mm, preferably at least 2 mm, more preferably at least 3 mm, and in that the pressure retaining means comprise: the pierceable membrane (7), raised elements (9) which open the said membrane (7) in order to create punctures and allow the liquid extract to pass through the punctures; the punctures in the membrane (7) being obtained under the effect of the rise in pressure in the chamber (5) of the capsule (1).



— *before the expiration of the time limit for amending the claims and to be republished in the event of receipt of amendments (Rule 48.2(h))*

(88) Date of publication of the international search report:
2 August 2012

INTERNATIONAL SEARCH REPORT

International application No
PCT/EP2011/068321

A. CLASSIFICATION OF SUBJECT MATTER
INV. B65D85/804
ADD.
According to International Patent Classification (IPC) or to both national classification and IPC

B. FIELDS SEARCHED
Minimum documentation searched (classification system followed by classification symbols)
B65D A47J

Documentation searched other than minimum documentation to the extent that such documents are included in the fields searched

Electronic data base consulted during the international search (name of data base and, where practicable, search terms used)
EPO-Internal, WPI Data

C. DOCUMENTS CONSIDERED TO BE RELEVANT

Category*	Citation of document, with indication, where appropriate, of the relevant passages	Relevant to claim No.
A	EP 1 784 344 B1 (NESTEC SA [CH]) 8 April 2009 (2009-04-08) cited in the application paragraph [0014]; figures 1-5 -----	1-11
A	US 2005/051478 A1 (KARANIKOS BASIL [US] ET AL) 10 March 2005 (2005-03-10) paragraph [0022] - paragraph [0023]; figures 1-9 -----	1-11
A	DE 20 2005 021174 U1 (CAFFITA SYSTEM S P A [IT]) 21 June 2007 (2007-06-21) figures 1-4 -----	1-11
A	WO 2006/111807 A1 (AROMA SYSTEM SRL [IT]; RAPPARINI GINO [IT]) 26 October 2006 (2006-10-26) the whole document -----	1,7
	-/--	

Further documents are listed in the continuation of Box C.

See patent family annex.

* Special categories of cited documents :

<p>"A" document defining the general state of the art which is not considered to be of particular relevance</p> <p>"E" earlier application or patent but published on or after the international filing date</p> <p>"L" document which may throw doubts on priority claim(s) or which is cited to establish the publication date of another citation or other special reason (as specified)</p> <p>"O" document referring to an oral disclosure, use, exhibition or other means</p> <p>"P" document published prior to the international filing date but later than the priority date claimed</p>	<p>"T" later document published after the international filing date or priority date and not in conflict with the application but cited to understand the principle or theory underlying the invention</p> <p>"X" document of particular relevance; the claimed invention cannot be considered novel or cannot be considered to involve an inventive step when the document is taken alone</p> <p>"Y" document of particular relevance; the claimed invention cannot be considered to involve an inventive step when the document is combined with one or more other such documents, such combination being obvious to a person skilled in the art</p> <p>"&" document member of the same patent family</p>
---	---

Date of the actual completion of the international search 25 May 2012	Date of mailing of the international search report 14/06/2012
--	--

Name and mailing address of the ISA/ European Patent Office, P.B. 5818 Patentlaan 2 NL - 2280 HV Rijswijk Tel. (+31-70) 340-2040, Fax: (+31-70) 340-3016	Authorized officer Dick, Birgit
--	--

INTERNATIONAL SEARCH REPORT

International application No

PCT/EP2011/068321

C(Continuation). DOCUMENTS CONSIDERED TO BE RELEVANT		
Category*	Citation of document, with indication, where appropriate, of the relevant passages	Relevant to claim No.
A	EP 1 785 369 A1 (NESTEC SA [CH]) 16 May 2007 (2007-05-16) figures 4-5 -----	9-11

INTERNATIONAL SEARCH REPORT

Information on patent family members

International application No

PCT/EP2011/068321

Patent document cited in search report	Publication date	Patent family member(s)	Publication date	
EP 1784344	B1	08-04-2009	AR 052640 A1	28-03-2007
			AT 427900 T	15-04-2009
			AT 500164 T	15-03-2011
			AU 2005276627 A1	02-03-2006
			CA 2579475 A1	02-03-2006
			CN 101014513 A	08-08-2007
			DK 1784344 T3	02-06-2009
			DK 2062831 T3	02-05-2011
			EP 1784344 A2	16-05-2007
			EP 2062831 A2	27-05-2009
			EP 2298667 A1	23-03-2011
			ES 2323379 T3	14-07-2009
			ES 2360920 T3	10-06-2011
			JP 4879898 B2	22-02-2012
			JP 2008510540 A	10-04-2008
			MY 139660 A	30-10-2009
			NZ 553063 A	26-11-2010
			PT 1784344 E	21-04-2009
			PT 2062831 E	11-03-2011
			RU 2379225 C2	20-01-2010
			SI 2062831 T1	29-04-2011
			US 2009211458 A1	27-08-2009
			WO 2006021405 A2	02-03-2006

US 2005051478	A1	10-03-2005	AU 2004272517 A1	24-03-2005
			CA 2538256 A1	24-03-2005
			CN 1849249 A	18-10-2006
			EP 1663813 A1	07-06-2006
			JP 2007504889 A	08-03-2007
			KR 20060121863 A	29-11-2006
			NZ 545752 A	31-01-2009
			TW I303164 B	21-11-2008
			US 2005051478 A1	10-03-2005
			WO 2005026018 A1	24-03-2005

DE 202005021174	U1	21-06-2007	NONE	

WO 2006111807	A1	26-10-2006	NONE	

EP 1785369	A1	16-05-2007	AU 2006311041 A1	18-05-2007
			BR PI0618446 A2	30-08-2011
			CA 2629224 A1	18-05-2007
			CN 101304927 A	12-11-2008
			EP 1785369 A1	16-05-2007
			EP 1948530 A1	30-07-2008
			JP 2009515781 A	16-04-2009
			KR 20080070652 A	30-07-2008
			MA 29952 B1	03-11-2008
			US 2008317931 A1	25-12-2008
			WO 2007054479 A1	18-05-2007
			ZA 200805023 A	28-10-2009
