



US00D404263S

United States Patent [19]

[11] Patent Number: **Des. 404,263**

Allison

[45] Date of Patent: ****Jan. 19, 1999**

[54] **SCOOP WITH LONG BAG**

D. 393,186 4/1998 Allison D7/689

[76] Inventor: **Ian T. Allison**, P.O. Box 1705, Santa Rosa, Calif. 95402

Primary Examiner—Terry A. Wallace

[**] Term: **14 Years**

[57] CLAIM

[21] Appl. No.: **84,741**

I claim the ornamental design for a scoop with long bag, as shown.

[22] Filed: **Mar. 9, 1998**

DESCRIPTION

[51] **LOC (6) Cl.** **07-02**

FIG. 1 is a front perspective view;

[52] **U.S. Cl.** **D7/689**

FIG. 2 is a front view;

[58] **Field of Search** D7/689, 691, 692;
D11/121; 30/142; 294/1.1, 55

FIG. 3 is a rear view

FIG. 4 is a right view;

FIG. 5 is a left view;

FIG. 6 is a top view; and,

FIG. 7 is a bottom view.

[56] References Cited

U.S. PATENT DOCUMENTS

D. 319,374 8/1991 Johannsen D7/689

1 Claim, 5 Drawing Sheets



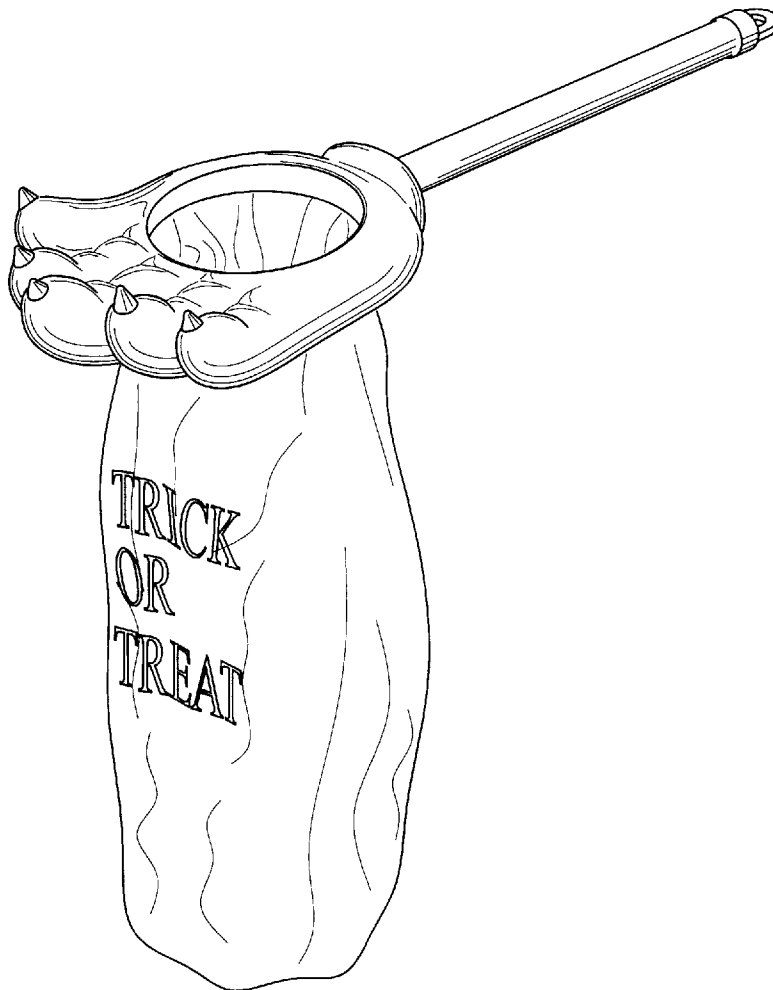


Fig. 1

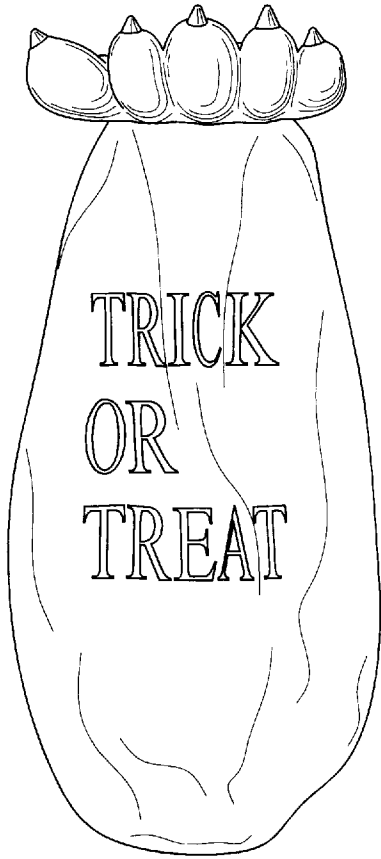


Fig. 2

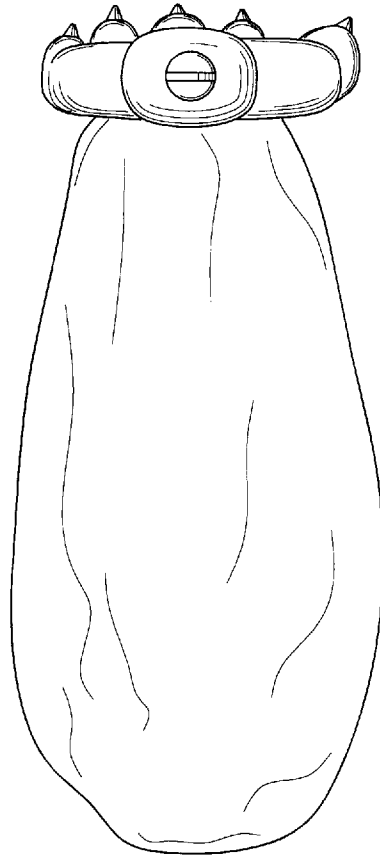


Fig. 3

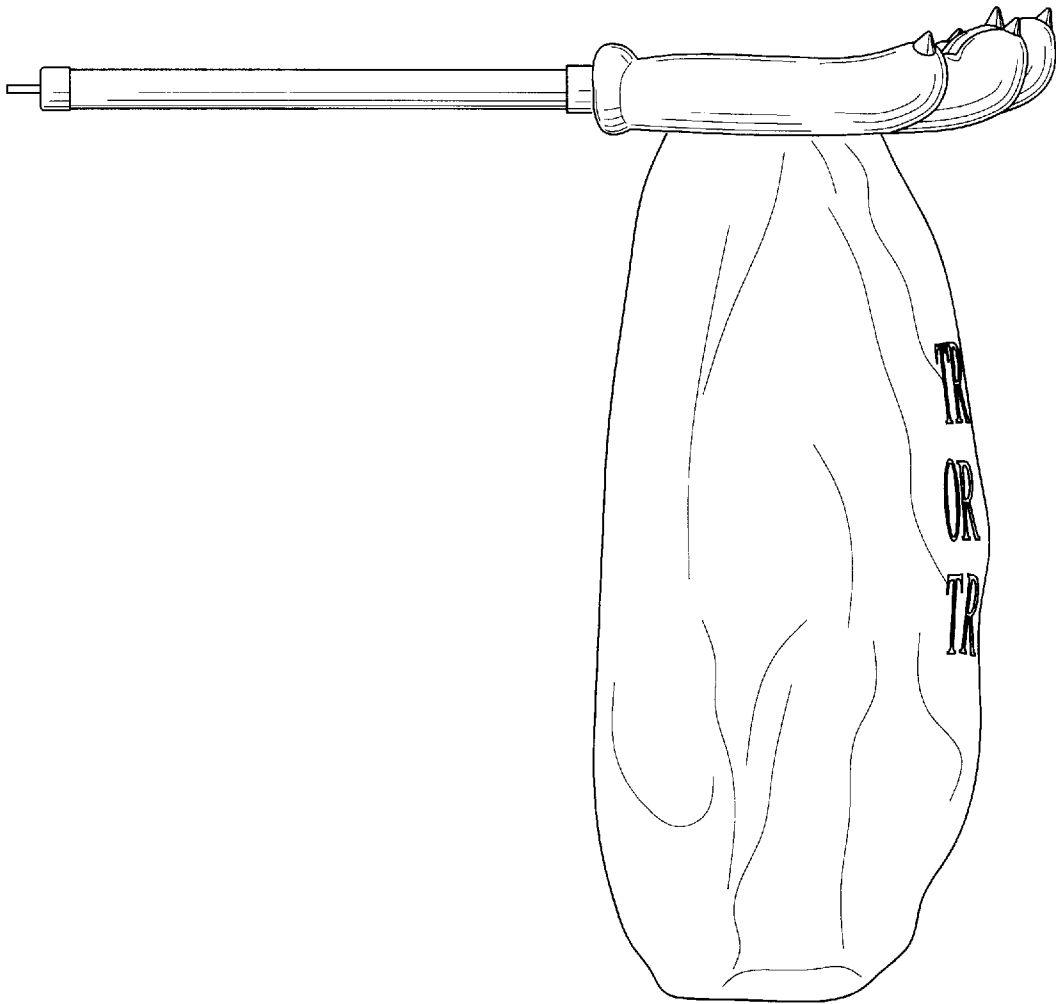


Fig. 4

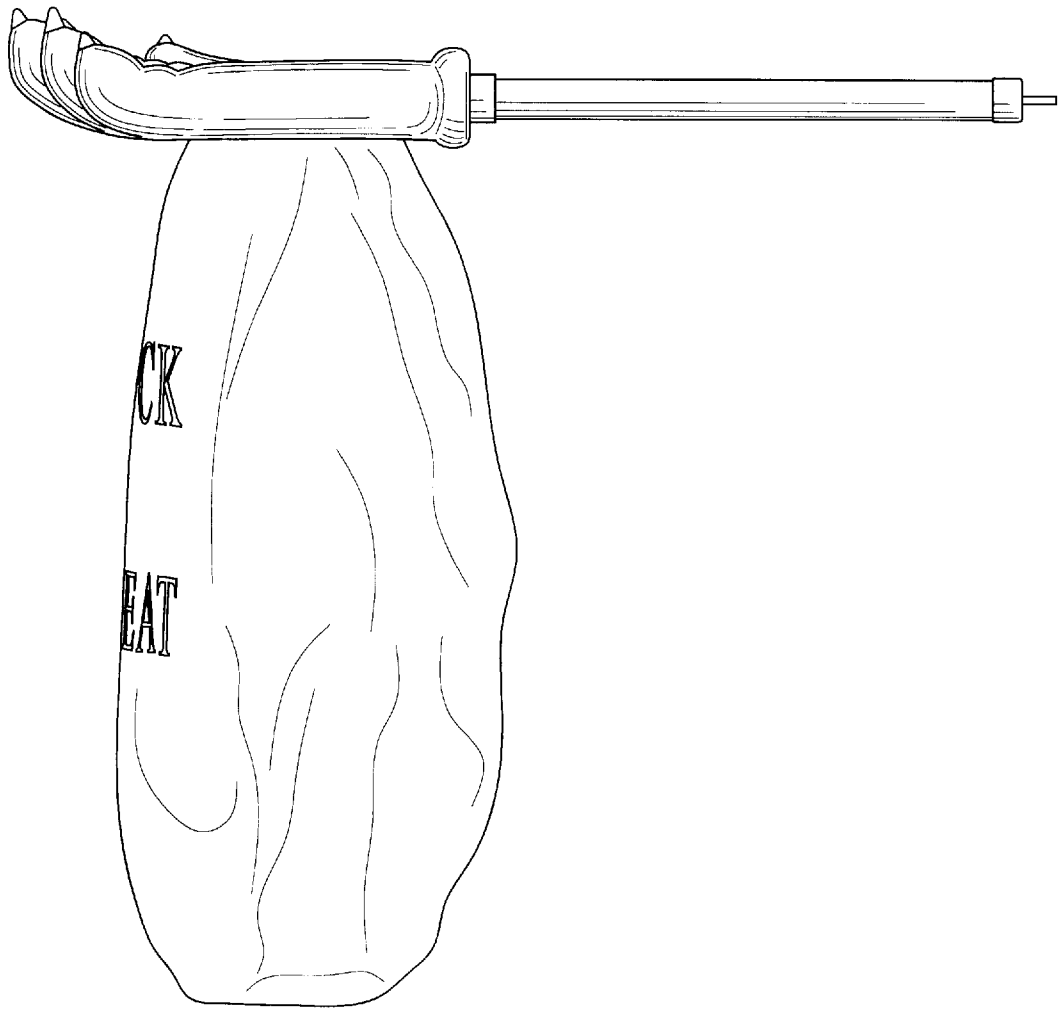


Fig. 5

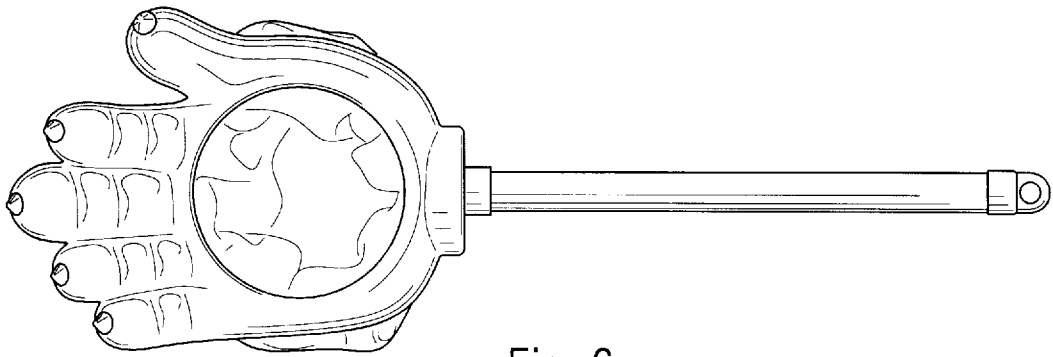


Fig. 6

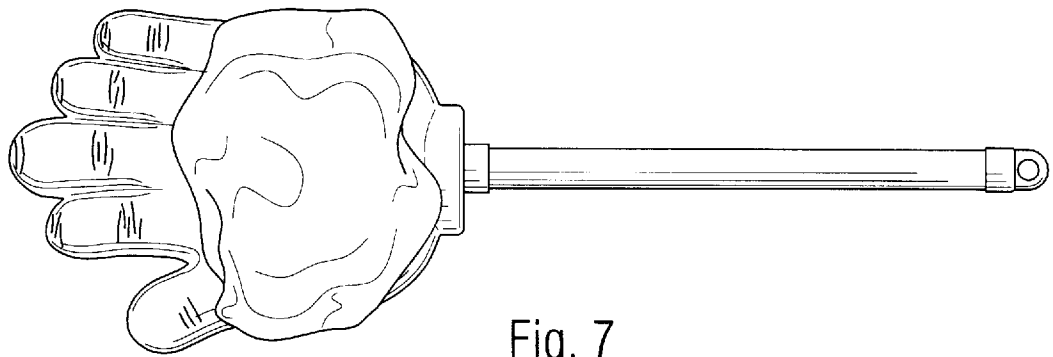


Fig. 7