



- (51) International Patent Classification:
A61B 5/06 (2006.01) A47C 17/86 (2006.01)
A61G 13/12 (2006.01)
- (21) International Application Number:
PCT/US2017/012662
- (22) International Filing Date:
9 January 2017 (09.01.2017)
- (25) Filing Language: English
- (26) Publication Language: English
- (30) Priority Data:
62/278,215 13 January 2016 (13.01.2016) US
- (71) Applicant: ST. JUDE MEDICAL, CARDIOLOGY DIVISION, INC. [US/US]; 177 East County Road B, St. Paul, Minnesota 55117 (US).
- (72) Inventors: WEHNER, Peter; 1817 87th Trail North, Brooklyn Park, Minnesota 55443 (US). SWANSON, Lawrence; 5922 Mallard Ponds Drive, White Bear Lake, Minnesota 55110 (US). FISCHBACH, Adam; 6444 Coryell Court, Inver Grove Heights, Minnesota 55076 (US).
- (74) Agents: RODGERS, James G. et al.; St. Jude Medical, Cardiology Division, Inc., 177 East County Road B, St. Paul, Minnesota 55117 (US).

- (81) Designated States (unless otherwise indicated, for every kind of national protection available): AE, AG, AL, AM, AO, AT, AU, AZ, BA, BB, BG, BH, BN, BR, BW, BY, BZ, CA, CH, CL, CN, CO, CR, CU, CZ, DE, DJ, DK, DM, DO, DZ, EC, EE, EG, ES, FI, GB, GD, GE, GH, GM, GT, HN, HR, HU, ID, IL, IN, IR, IS, JP, KE, KG, KH, KN, KP, KR, KW, KZ, LA, LC, LK, LR, LS, LU, LY, MA, MD, ME, MG, MK, MN, MW, MX, MY, MZ, NA, NG, NI, NO, NZ, OM, PA, PE, PG, PH, PL, PT, QA, RO, RS, RU, RW, SA, SC, SD, SE, SG, SK, SL, SM, ST, SV, SY, TH, TJ, TM, TN, TR, TT, TZ, UA, UG, US, UZ, VC, VN, ZA, ZM, ZW.
- (84) Designated States (unless otherwise indicated, for every kind of regional protection available): ARIPO (BW, GH, GM, KE, LR, LS, MW, MZ, NA, RW, SD, SL, ST, SZ, TZ, UG, ZM, ZW), Eurasian (AM, AZ, BY, KG, KZ, RU, TJ, TM), European (AL, AT, BE, BG, CH, CY, CZ, DE, DK, EE, ES, FI, FR, GB, GR, HR, HU, IE, IS, IT, LT, LU, LV, MC, MK, MT, NL, NO, PL, PT, RO, RS, SE, SI, SK, SM, TR), OAPI (BF, BJ, CF, CG, CI, CM, GA, GN, GQ, GW, KM, ML, MR, NE, SN, TD, TG).

- Published:**
- with international search report (Art. 21(3))
 - before the expiration of the time limit for amending the claims and to be republished in the event of receipt of amendments (Rule 48.2(h))

[Continued on next page]

(54) Title: MOUNTING ASSEMBLY FOR ATTACHING MEDICAL EQUIPMENT TO A PATIENT TABLE AND AN ASSOCIATED SECURING METHOD

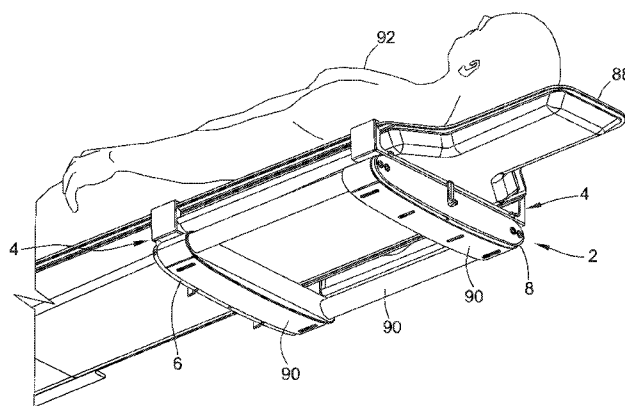


FIG. 6

(57) Abstract: The present disclosure provides a mounting assembly (2) for attaching medical equipment to a patient table (88). In one particular embodiment, the present disclosure provides a mounting assembly for attaching a magnetic field generator (90) to a patient table. The mounting assembly allows for the secure attachment of the magnetic field generator to the patient table while also allowing for easy adjustment of the positioning and location of the magnetic field generator, even after the patient is on the table. The mounting assembly is comprised of a mounting apparatus (4) that attaches directly to the patient table and first and second side rails (6, 8) that attach to the magnetic field generator and are configured to slidably attach to the mounting apparatus. The mounting apparatus and side rails may be constructed of a material that provides little or no interference with the magnetic field generator.



(88) Date of publication of the international search report:
8 September 2017

PATENT COOPERATION TREATY

PCT

INTERNATIONAL SEARCH REPORT

(PCT Article 18 and Rules 43 and 44)

Applicant's or agent's file reference CD-1217WO01	FOR FURTHER ACTION see Form PCT/ISA/220 as well as, where applicable, item 5 below.	
International application No. PCT/US2017/012662	International filing date (<i>day/month/year</i>) 9 January 2017 (09-01-2017)	(Earliest) Priority Date (<i>day/month/year</i>) 13 January 2016 (13-01-2016)
Applicant ST. JUDE MEDICAL, CARDIOLOGY DIVISION, INC.		

This international search report has been prepared by this International Searching Authority and is transmitted to the applicant according to Article 18. A copy is being transmitted to the International Bureau.

This international search report consists of a total of 8 sheets.

It is also accompanied by a copy of each prior art document cited in this report.

1. Basis of the report

a. With regard to the **language**, the international search was carried out on the basis of:

- the international application in the language in which it was filed
 a translation of the international application into _____, which is the language of a translation furnished for the purposes of international search (Rules 12.3(a) and 23.1(b))

b. This international search report has been established taking into account the **rectification of an obvious mistake** authorized by or notified to this Authority under Rule 91 (Rule 43.6*bis*(a)).

c. With regard to any **nucleotide and/or amino acid sequence** disclosed in the international application, see Box No. I.

2. **Certain claims were found unsearchable** (See Box No. II)

3. **Unity of invention is lacking** (see Box No III)

4. With regard to the **title**,

- the text is approved as submitted by the applicant
 the text has been established by this Authority to read as follows:

MOUNTING ASSEMBLY FOR ATTACHING MEDICAL EQUIPMENT TO A PATIENT TABLE AND AN ASSOCIATED SECURING METHOD

5. With regard to the **abstract**,

- the text is approved as submitted by the applicant
 the text has been established, according to Rule 38.2, by this Authority as it appears in Box No. IV. The applicant may, within one month from the date of mailing of this international search report, submit comments to this Authority

6. With regard to the **drawings**,

a. the figure of the **drawings** to be published with the abstract is Figure No. 6

- as suggested by the applicant
 as selected by this Authority, because the applicant failed to suggest a figure
 as selected by this Authority, because this figure better characterizes the invention

b. none of the figures is to be published with the abstract

INTERNATIONAL SEARCH REPORT

International application No
PCT/US2017/012662

A. CLASSIFICATION OF SUBJECT MATTER
INV. A61B5/06 A61G13/12 A47C17/86
ADD.
According to International Patent Classification (IPC) or to both national classification and IPC

B. FIELDS SEARCHED
Minimum documentation searched (classification system followed by classification symbols)
A61G A61B A47C A47B
Documentation searched other than minimum documentation to the extent that such documents are included in the fields searched

Electronic data base consulted during the international search (name of data base and, where practicable, search terms used)
EPO-Internal, WPI Data

C. DOCUMENTS CONSIDERED TO BE RELEVANT		
Category*	Citation of document, with indication, where appropriate, of the relevant passages	Relevant to claim No.
X	US 2 854 676 A (FRIED JAMES P ET AL) 7 October 1958 (1958-10-07)	1,2
Y	column 2, line 37 - line 53 column 3, line 13 - line 37; figures 1, 2, 7	4,5,9-11
Y	----- US 2010/290831 A1 (BURNETT MARVIN K [US] ET AL) 18 November 2010 (2010-11-18) paragraph [0012] - paragraph [0014] paragraph [0034]; figure 7	4,10
Y	----- US 7 896 177 B1 (TOMA DENNIS R [US]) 1 March 2011 (2011-03-01) column 6, line 46 - column 7, line 18 column 10, line 60 - column 11, line 8; figures 3, 12	5
	----- -/--	

Further documents are listed in the continuation of Box C. See patent family annex.

* Special categories of cited documents :

"A" document defining the general state of the art which is not considered to be of particular relevance	"T" later document published after the international filing date or priority date and not in conflict with the application but cited to understand the principle or theory underlying the invention
"E" earlier application or patent but published on or after the international filing date	"X" document of particular relevance; the claimed invention cannot be considered novel or cannot be considered to involve an inventive step when the document is taken alone
"L" document which may throw doubts on priority claim(s) or which is cited to establish the publication date of another citation or other special reason (as specified)	"Y" document of particular relevance; the claimed invention cannot be considered to involve an inventive step when the document is combined with one or more other such documents, such combination being obvious to a person skilled in the art
"O" document referring to an oral disclosure, use, exhibition or other means	"&" document member of the same patent family
"P" document published prior to the international filing date but later than the priority date claimed	

Date of the actual completion of the international search 19 May 2017	Date of mailing of the international search report 26/07/2017
---	---

Name and mailing address of the ISA/ European Patent Office, P.B. 5818 Patentlaan 2 NL - 2280 HV Rijswijk Tel. (+31-70) 340-2040, Fax: (+31-70) 340-3016	Authorized officer Sigurd, Karin
--	--

INTERNATIONAL SEARCH REPORT

International application No
PCT/US2017/012662

C(Continuation). DOCUMENTS CONSIDERED TO BE RELEVANT		
Category*	Citation of document, with indication, where appropriate, of the relevant passages	Relevant to claim No.
Y	GB 1 600 136 A (IKEA SVENSKA AB) 14 October 1981 (1981-10-14) page 3, line 5 - line 80 page 4, line 59 - line 89; figure 1 -----	9
Y	US 4 423 914 A (VANDER LEY ROBERT J [US]) 3 January 1984 (1984-01-03) column 2, line 39 - line 65 column 3, line 45 - column 4, line 30; figures 3-5 -----	11

INTERNATIONAL SEARCH REPORT

International application No.
PCT/US2017/012662

Box No. II Observations where certain claims were found unsearchable (Continuation of item 2 of first sheet)

This international search report has not been established in respect of certain claims under Article 17(2)(a) for the following reasons:

1. Claims Nos.:
because they relate to subject matter not required to be searched by this Authority, namely:

2. Claims Nos.:
because they relate to parts of the international application that do not comply with the prescribed requirements to such an extent that no meaningful international search can be carried out, specifically:

3. Claims Nos.:
because they are dependent claims and are not drafted in accordance with the second and third sentences of Rule 6.4(a).

Box No. III Observations where unity of invention is lacking (Continuation of item 3 of first sheet)

This International Searching Authority found multiple inventions in this international application, as follows:

see additional sheet

1. As all required additional search fees were timely paid by the applicant, this international search report covers all searchable claims.

2. As all searchable claims could be searched without effort justifying an additional fees, this Authority did not invite payment of additional fees.

3. As only some of the required additional search fees were timely paid by the applicant, this international search report covers only those claims for which fees were paid, specifically claims Nos.:

4. No required additional search fees were timely paid by the applicant. Consequently, this international search report is restricted to the invention first mentioned in the claims; it is covered by claims Nos.:

1, 2, 4, 5, 9-11

Remark on Protest

- The additional search fees were accompanied by the applicant's protest and, where applicable, the payment of a protest fee.
- The additional search fees were accompanied by the applicant's protest but the applicable protest fee was not paid within the time limit specified in the invitation.
- No protest accompanied the payment of additional search fees.

INTERNATIONAL SEARCH REPORT

Information on patent family members

International application No PCT/US2017/012662

Patent document cited in search report	Publication date	Patent family member(s)	Publication date
US 2854676	A	07-10-1958	NONE

US 2010290831	A1	18-11-2010	CA 2665439 A1 08-11-2009
			US 2010290831 A1 18-11-2010

US 7896177	B1	01-03-2011	NONE

GB 1600136	A	14-10-1981	DE 2755527 A1 22-06-1978
			DE 2760371 C2 15-06-1989
			FR 2373990 A1 13-07-1978
			GB 1600136 A 14-10-1981
			GB 1600137 A 14-10-1981
			SE 403040 B 31-07-1978

US 4423914	A	03-01-1984	CA 1170702 A 10-07-1984
			US 4423914 A 03-01-1984

FURTHER INFORMATION CONTINUED FROM PCT/ISA/ 210

This International Searching Authority found multiple (groups of) inventions in this international application, as follows:

1. claims: 1, 2, 4, 5, 9-11

A mounting assembly with means for coupling the arms and i) with beveled hooks or ii) where each arm includes a t-shaped tongue configured to cooperate with a respective side rail, where each side rail includes a groove configured to cooperate with a respective arm or where a side rail includes a lateral position lock-down lever for securing the side rail to an arm or iii) where each arm is constructed of carbon fibers, thermoplastics, acrylonitrile butadiene styrene or combinations thereof or iv) where an arm includes a safety catch stop.

1.1. claims: 1, 2

A mounting assembly with means for coupling the arms and with beveled hooks.

1.2. claims: 4, 10, 11

A mounting assembly with means for coupling the arms and where each arm includes a t-shaped tongue configured to cooperate with a respective side rail, where each side rail includes a groove configured to cooperate with a respective arm or where a side rail includes a lateral position lock-down lever for securing the side rail to an arm.

1.3. claim: 5

A mounting assembly with means for coupling the arms and where each arm is constructed of carbon fibers, thermoplastics, acrylonitrile butadiene styrene or combinations thereof.

1.4. claim: 9

A mounting assembly with means for coupling the arms and where an arm includes a safety catch stop.

2. claims: 3, 7

A mounting assembly with means for coupling the arms and where each arm is configured to be separated along the tensioning means or where the tensioning means are coupled to the arms via pressure-fit coupling pins.

3. claim: 6

A mounting assembly with means for coupling the arms and where the tensioning means are expandable bands, springs or

FURTHER INFORMATION CONTINUED FROM PCT/ISA/ 210

combinations thereof.

4. claim: 8

A mounting assembly with means for coupling the arms and where the means for coupling the arms comprise carbon fiber rods.

5. claims: 12-15

A mounting assembly for attaching a magnetic field generator to a patient table, the assembly including beveled hooks, tensioning bands and a coupling rod, and a method for securing a medical device to a patient table using a mounting apparatus with beveled hooks, cooperating t-shaped tongues and grooves in arms and side rails, respectively, tensioning bands and a coupling rod, the method including the step of pulling on a second end of the mounting apparatus.
