



US00D396332S

United States Patent [19]

[11] Patent Number: Des. 396,332

McMahon

[45] Date of Patent: **Jul. 21, 1998

[54] BED FOR PETS

[75] Inventor: Franklin D. McMahon, New York, N.Y.

[73] Assignee: Univier Corp., New York, N.Y.

[**] Term: 14 Years

[21] Appl. No.: 64,221

[22] Filed: Dec. 24, 1996

[51] LOC (6) Cl. 06-01

[52] U.S. Cl. D30/118; D6/334

[58] Field of Search D30/118, 161; D6/334, 381, 331, 382, 596, 601; 119/28.5, 165, 169, 526, 482

[56] References Cited

U.S. PATENT DOCUMENTS

D. 131,001	1/1942	Abramson	D6/381
D. 239,424	4/1976	Offredi	D6/381
D. 246,622	12/1977	Dranger et al.	D6/381
D. 309,199	7/1990	McMahon	D30/118
D. 309,514	7/1990	Marcus et al.	119/28.5
D. 351,687	10/1994	McMahon	D30/118
D. 355,999	3/1995	Townsend	D6/601
D. 374,355	10/1996	Natuzzi et al.	D6/334
4,860,689	8/1989	Stewart	119/28.5
5,537,952	7/1996	Devlin	119/28.5
5,551,373	9/1996	O'Donnell	119/28.5

OTHER PUBLICATIONS

Valco Pet brochure for Pet Couch; style #61430; Aug. 1995. Interiors; p. 19; Condi Couch; Apr. 1978.
 Ligne Roset catalog; p. 24; Sloop Hieronimus design 1983; Misc. Chair Box 1984.
 Furniture/Today; Bean Station Seating Unit; Apr. 1991.
 NHFA's CompetitiveEdge Magazine; p. 112; American Beauty Chair in center left of page; Misc. Chair Box, Apr. 1983.
 Furniture Today; Signarure collection Sofa bottom right corner on page 50; Misc. Chair Box, Apr. 1989.

Primary Examiner—Cathy Anne MacCormac
 Attorney, Agent, or Firm—Fitzpatrick, Cella, Harper & Scinto

[57] CLAIM

The ornamental design for a bed for pets, as shown and described.

DESCRIPTION

FIG. 1 is a perspective view of a bed for pets according to my design;
 FIG. 2 is a front elevational view thereof;
 FIG. 3 is a rear elevational view thereof;
 FIG. 4 is a left side elevational view thereof, the right side elevational view being a mirror image thereof;
 FIG. 5 is a top plan view thereof; and,
 FIG. 6 is a bottom plan view thereof.

1 Claim, 2 Drawing Sheets

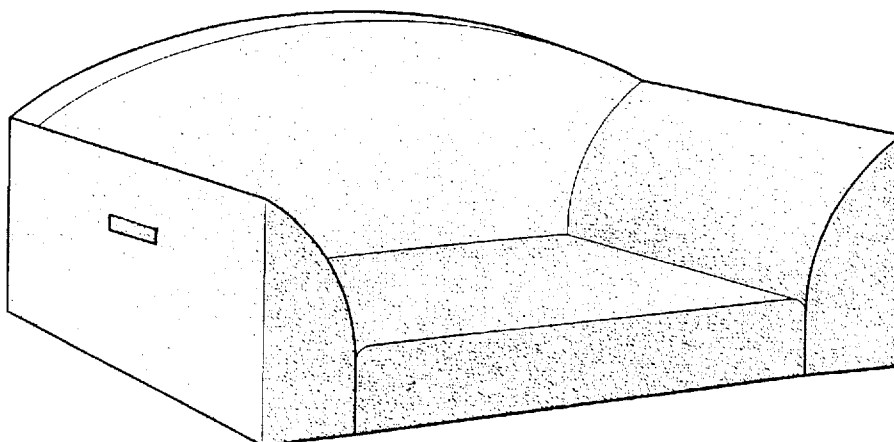


FIG. 1

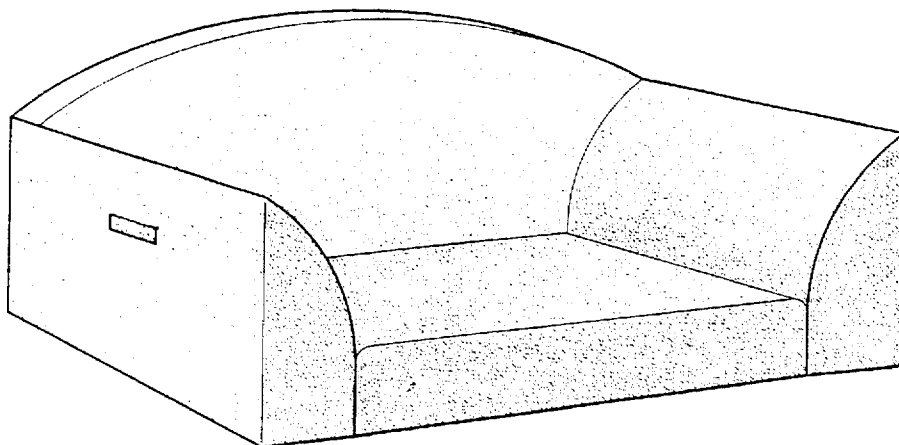


FIG. 2

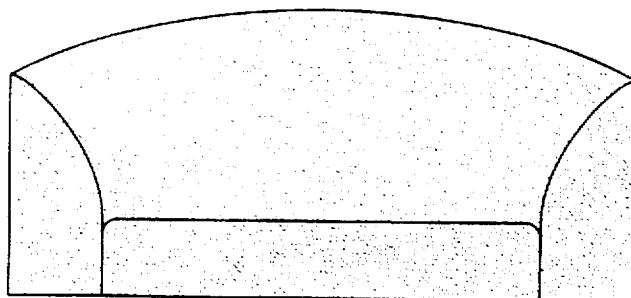


FIG. 3

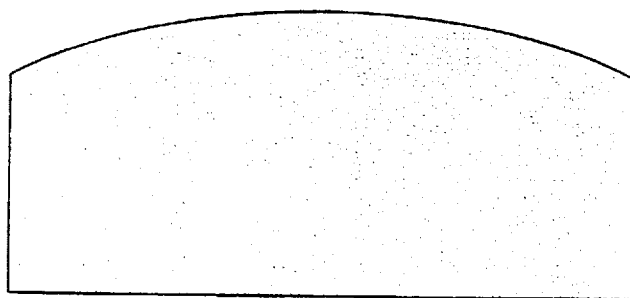


FIG. 4

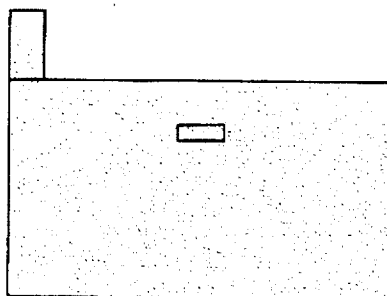


FIG. 5

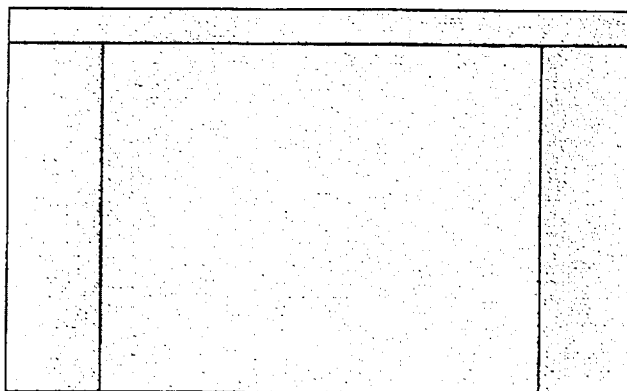


FIG. 6

