



US00D558656S

(12) **United States Design Patent**
Tanaka et al.

(10) **Patent No.:** **US D558,656 S**

(45) **Date of Patent:** **** Jan. 1, 2008**

(54) **VEHICLE INSTRUMENT PANEL**

(75) Inventors: **Shunsuke Tanaka**, Nagoya (JP); **Ken Kunishige**, Anjo (JP); **Kenji Kido**, Okazaki (JP); **Keita Nakabou**, Kariya (JP)

(73) Assignee: **Toyota Jidosha Kabushiki Kaisha** (JP)

(**) Term: **14 Years**

(21) Appl. No.: **29/285,549**

(22) Filed: **Mar. 30, 2007**

(51) **LOC (8) CL.** **12-16**

(52) **U.S. CL.** **D12/192**

(58) **Field of Classification Search** D12/192,
D12/345, 317; 180/90; 280/750-752;
296/190.01-190.09, 70; D15/17, 28; D10/46,
D10/98, 102-103; 362/482, 489; 73/431,
73/866.3

See application file for complete search history.

(56) **References Cited**

U.S. PATENT DOCUMENTS

- D419,936 S * 2/2000 Sacco et al. D12/192
- D423,434 S * 4/2000 Yano et al. D12/192
- D470,809 S * 2/2003 Asahi et al. D12/192
- D489,660 S * 5/2004 Okumura et al. D12/192
- D499,998 S * 12/2004 Tanaka et al. D12/192

- D512,357 S * 12/2005 Schuttera D12/192
- D519,894 S * 5/2006 Asahi et al. D12/192
- D532,353 S * 11/2006 Honda et al. D12/192
- D539,714 S * 4/2007 Toyama et al. D12/192

OTHER PUBLICATIONS

Range Rover, Sport, photograph of Range Rover Sport, <http://www.edmunds.com>, available at least as early as Feb. 15, 2007.

Bentley, Azure, photograph of Bentley Azure, <http://www.rpm.jp>, available at least as early as Feb. 15, 2007.

* cited by examiner

Primary Examiner—Stacia Cadmus

(74) *Attorney, Agent, or Firm*—Saidman DesignLaw Group

(57) **CLAIM**

The ornamental design for a vehicle instrument panel, as shown and described.

DESCRIPTION

FIG. 1 is a front perspective view of a vehicle instrument panel showing our new design;

FIG. 2 is a front view thereof;

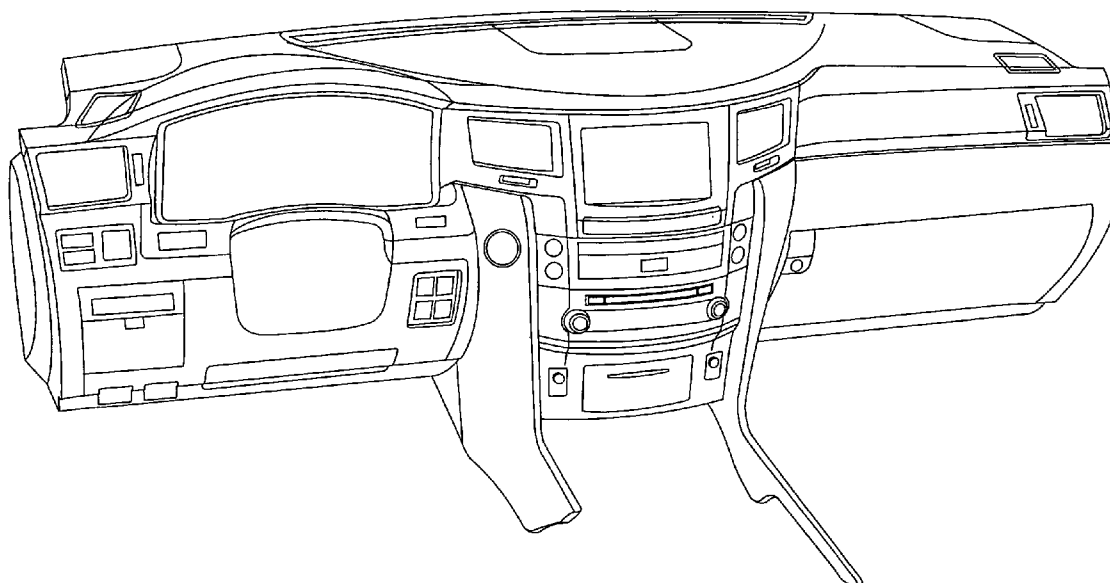
FIG. 3 is a top view thereof;

FIG. 4 is a bottom view thereof;

FIG. 5 is a left-side view thereof; and,

FIG. 6 is a right-side view thereof.

1 Claim, 6 Drawing Sheets



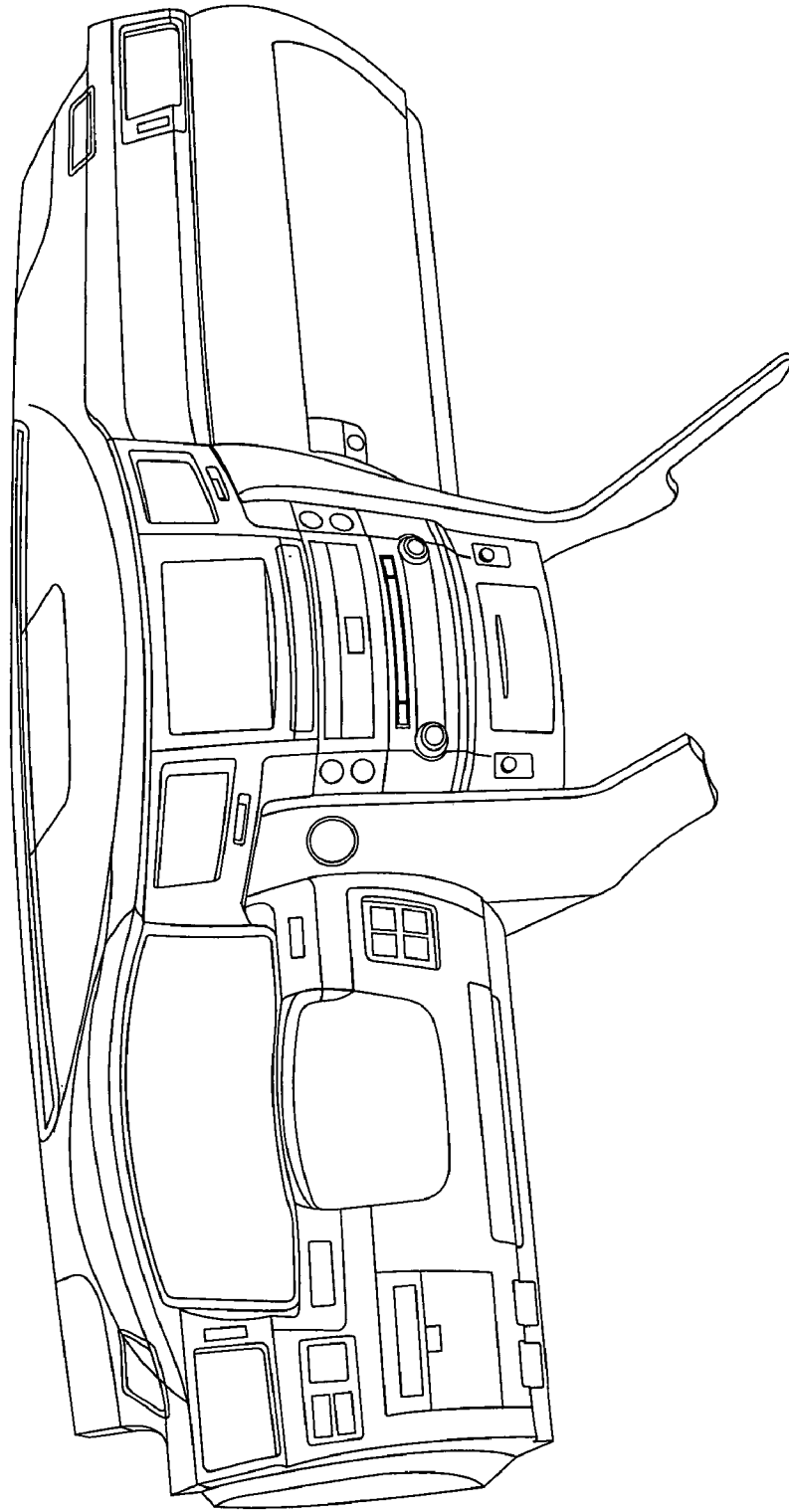


FIG. 1

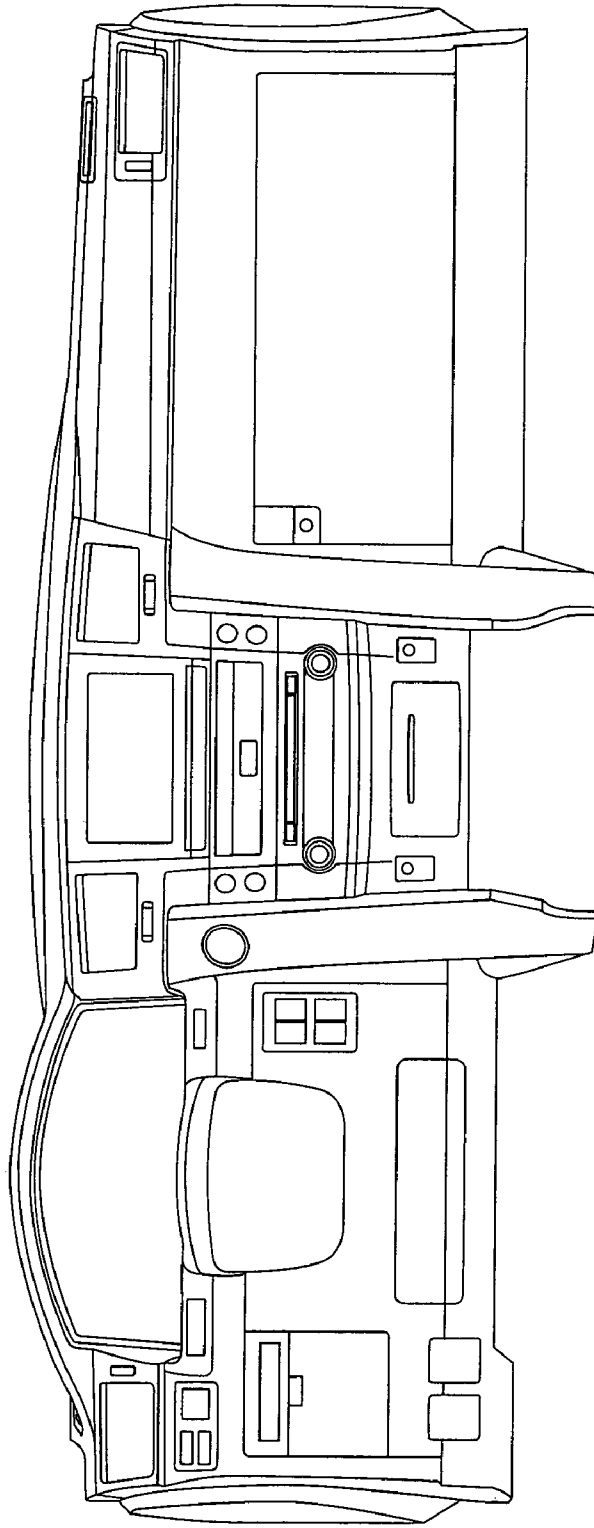


FIG. 2

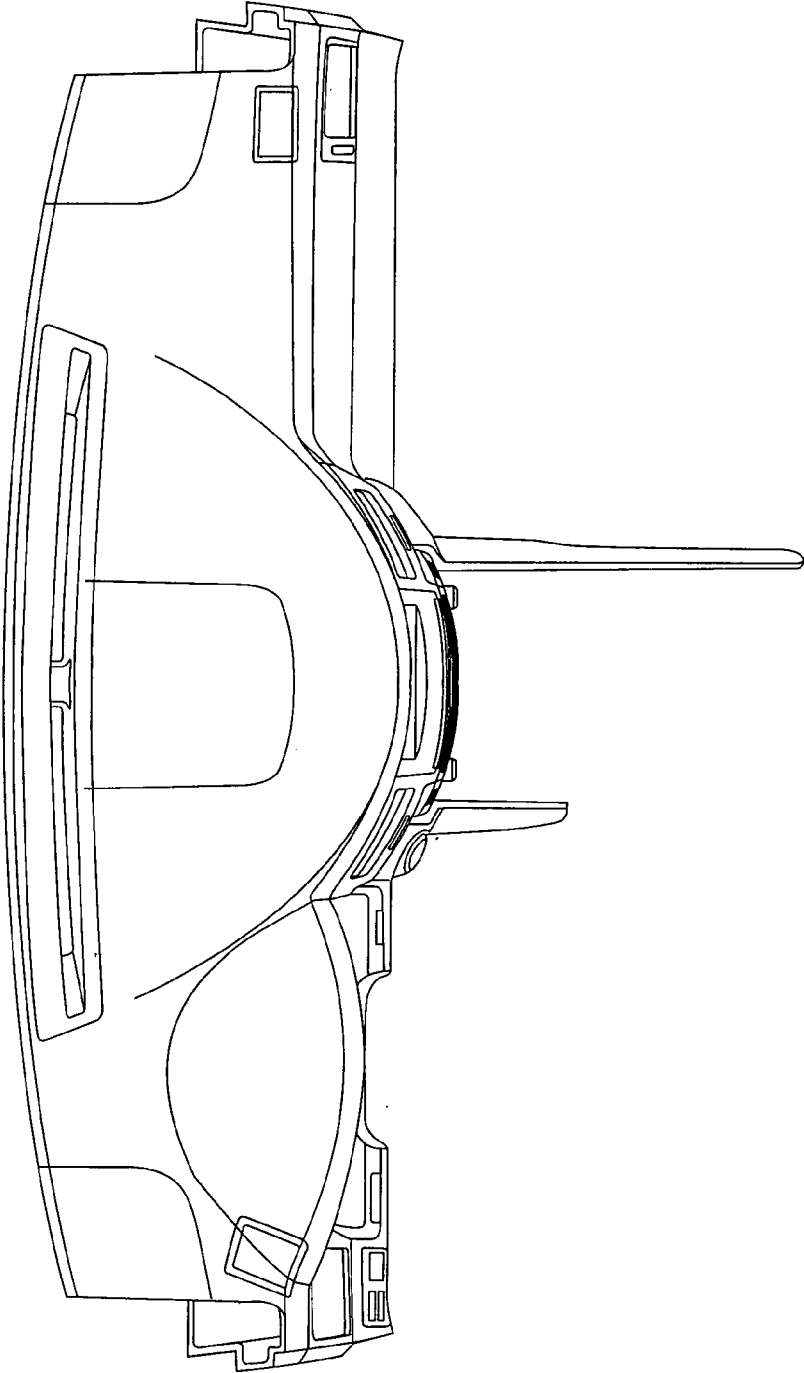


FIG. 3

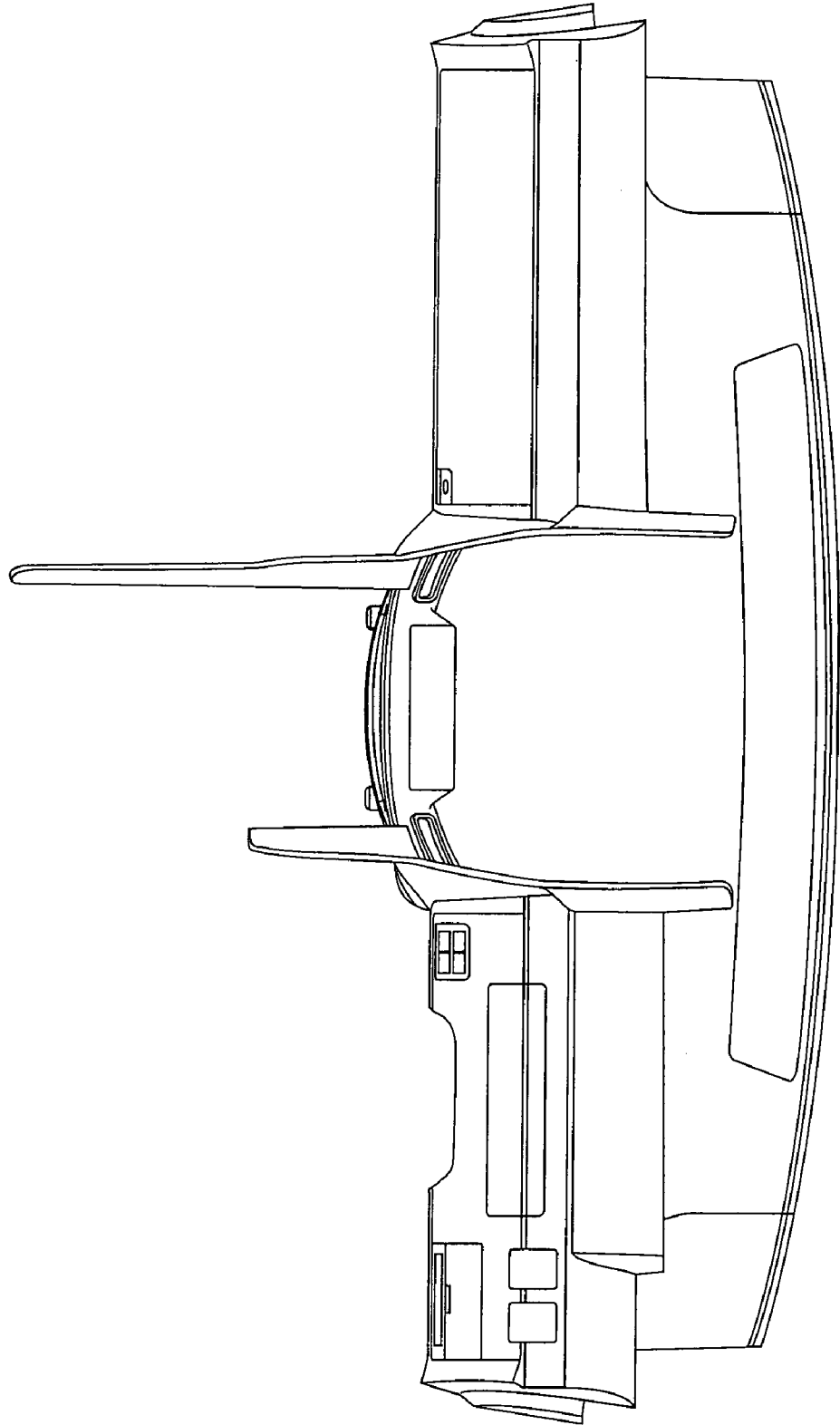


FIG. 4

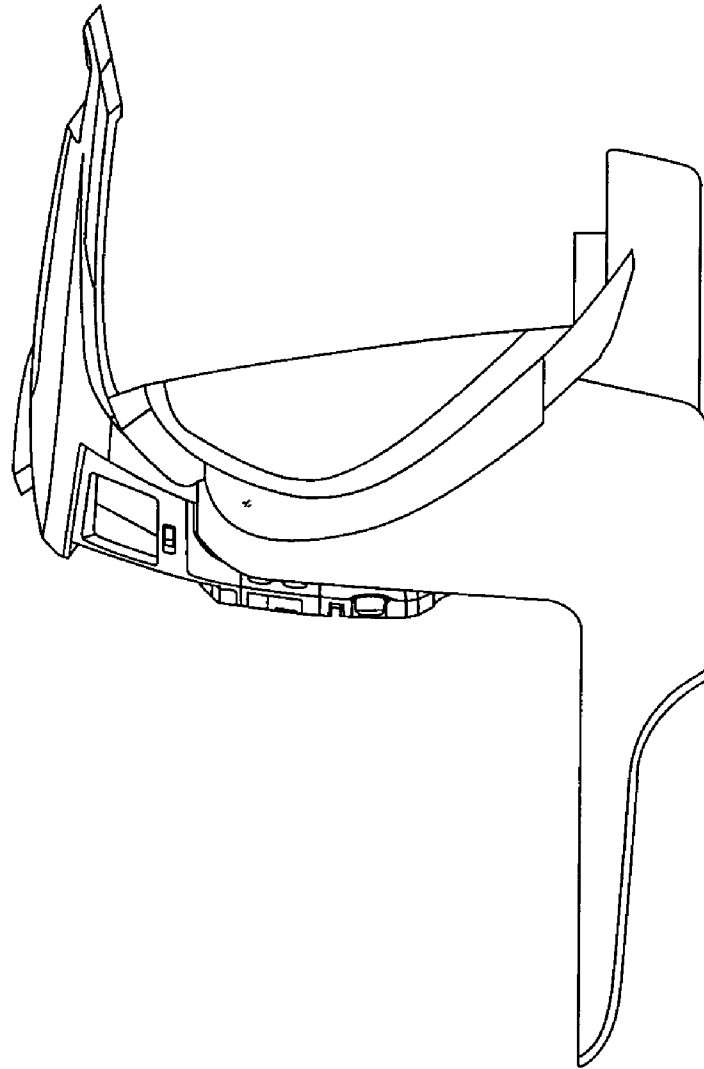


FIG. 5

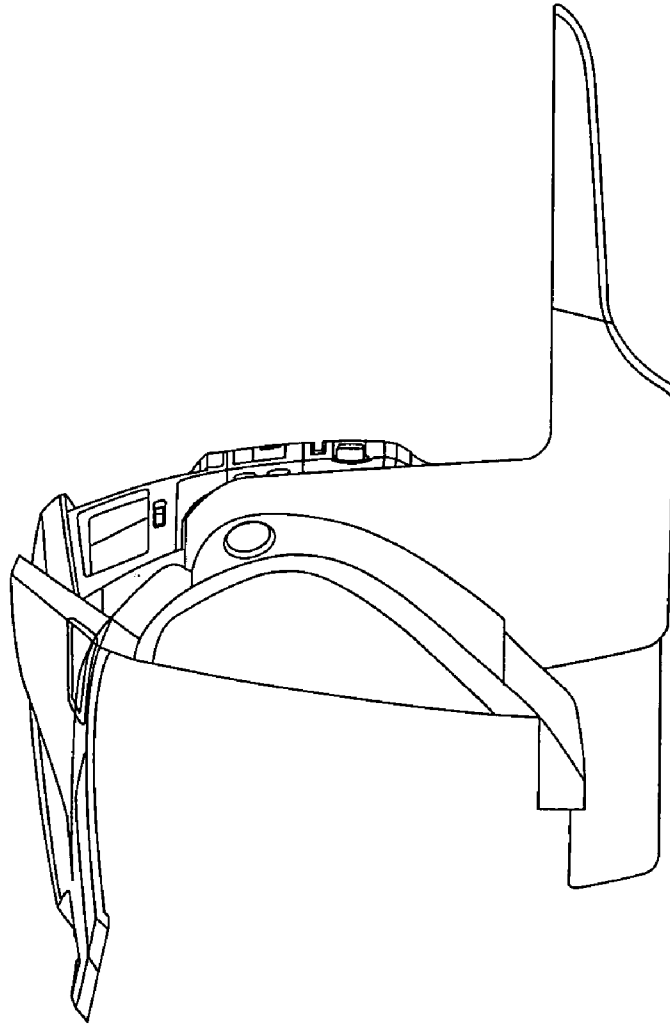


FIG. 6