



US00D769731S

(12) **United States Design Patent** (10) **Patent No.:** **US D769,731 S**
Allen (45) **Date of Patent:** **** Oct. 25, 2016**

(54) **BEVERAGE POUCH**
(71) Applicant: **Hillbilly Hooch LLC**, Laguna Hills, CA (US)
(72) Inventor: **Michael Allen**, Laguna Hills, CA (US)
(73) Assignee: **Hillbilly Hooch LLC**, Laguna Beach, CA (US)
(**) Term: **14 Years**

D526,573 S * 8/2006 Ueda D9/702
D563,243 S * 3/2008 Murray D9/710
D584,167 S * 1/2009 Murray D9/708
D585,763 S * 2/2009 Friebe et al. D9/708
D609,112 S * 2/2010 Koyanagi D9/708
D624,433 S 9/2010 Murray
D657,692 S 4/2012 Nissenbaum et al.
D686,088 S 7/2013 Murray
D700,067 S * 2/2014 Murray D9/710
D703,550 S * 4/2014 Murray D9/709
D727,748 S * 4/2015 Murray D9/710

(21) Appl. No.: **29/501,013**
(22) Filed: **Aug. 29, 2014**
(51) **LOC (10) Cl.** **09-05**
(52) **U.S. Cl.**
USPC **D9/708**
(58) **Field of Classification Search**
USPC D9/702-714, 434-435, 522, 696, 440,
D9/444, 415-417; 206/822, 811; 383/61.1,
383/63, 80-81, 106, 103-104, 203, 901,
383/108, 119; 222/260, 288; D24/118;
D7/317, 321; 220/495.03
CPC B65D 27/00; B65D 69/00; B65D 1/0223;
B65D 25/00; B65D 25/08; B65D 30/22;
B65D 30/20; B65D 33/16; B65D 33/10;
B65D 75/00; B65D 75/002; B65D 75/008;
B65D 75/28; B65D 75/322; B65D 33/008;
B65D 33/24; B65D 33/25; B65D 77/00;
B65D 77/003; B65D 77/02; B65D 77/10;
B65D 41/00; B65D 41/02; B65D 41/04;
B65D 1/00; B65D 1/02; B65D 1/095; B65D
1/0246; B65D 1/10; B65D 1/16; B65D
1/0207

See application file for complete search history.

(56) **References Cited**

U.S. PATENT DOCUMENTS

D396,630 S * 8/1998 Lerner D9/709
D463,266 S * 9/2002 Zappa D9/710

OTHER PUBLICATIONS

U.S. Appl. No. 29/501,015, filed Aug. 29, 2014, Michael Allen.
Non-Final Office Action, U.S. Appl. No. 29/501,015, mailed Jun.
16, 2015, 7 pages.
Final Office Action, U.S. Appl. No. 29/501,015, mailed Dec. 3,
2015. 10 pages.

* cited by examiner

Primary Examiner — Abraham Bahta
(74) *Attorney, Agent, or Firm* — Meyertons, Hood,
Kivlin, Kowert & Goetzl, P.C.; Eric B. Meyertons

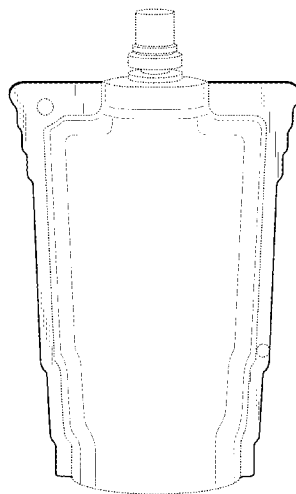
(57) **CLAIM**

The ornamental design for a beverage pouch, as shown and described.

DESCRIPTION

FIG. 1 is a perspective view of a beverage pouch showing my new design.
FIG. 2 is a front view thereof.
FIG. 3 is a right-side view thereof.
FIG. 4 is a left-side view thereof.
FIG. 5 is a rear view thereof.
FIG. 6 is a top view thereof; and,
FIG. 7 is a bottom view thereof.
The broken lines in the drawings are for illustrative purposes only and form no part of the claimed design.

1 Claim, 4 Drawing Sheets



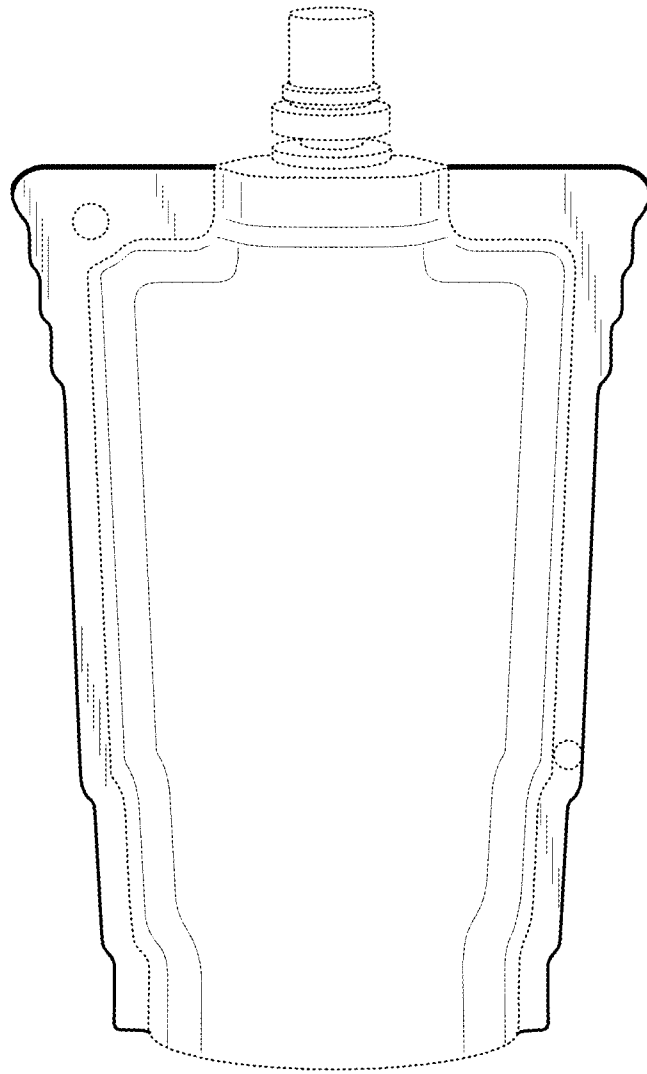


FIG. 1

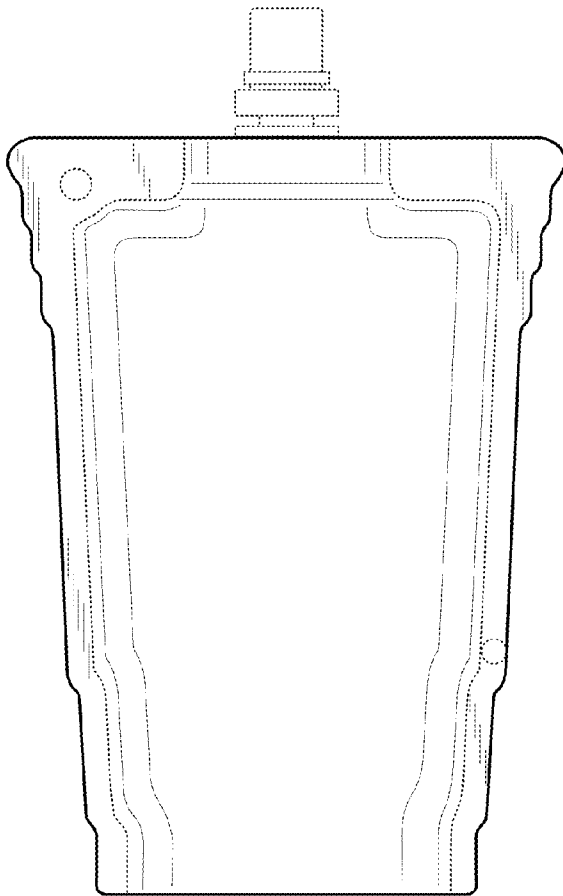


FIG. 2

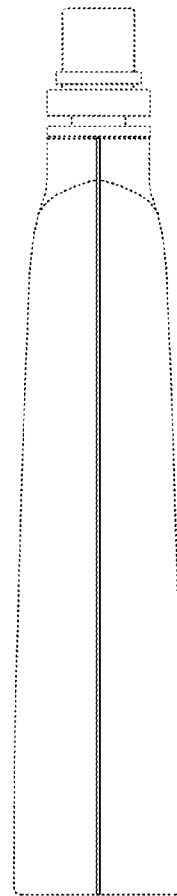


FIG. 3

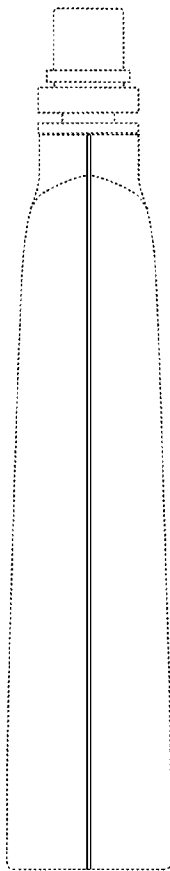


FIG. 4

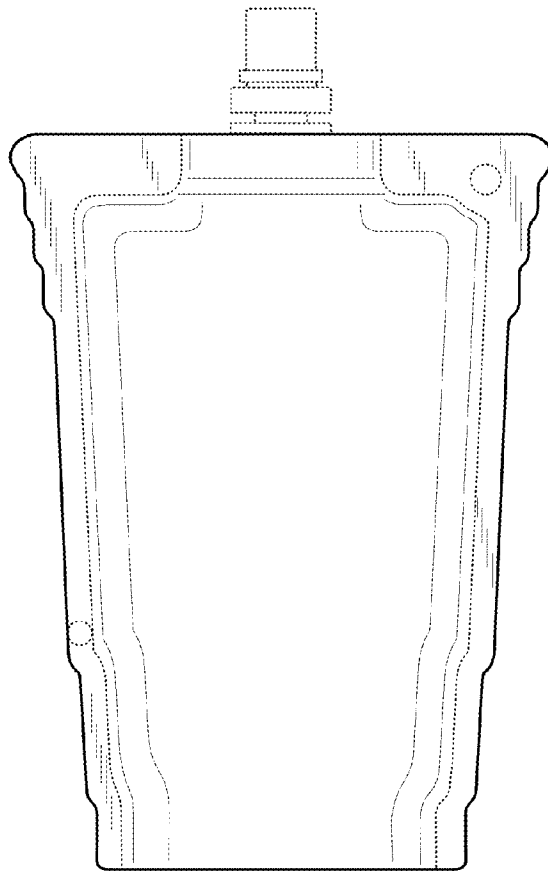


FIG. 5

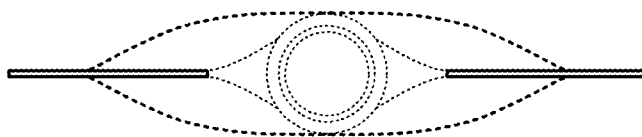


FIG. 6

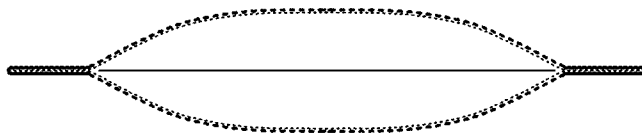


FIG. 7