



US00D624809S

(12) **United States Design Patent**
Weisensel

(10) **Patent No.:** **US D624,809 S**

(45) **Date of Patent:** **** Oct. 5, 2010**

(54) **SNAP FIT STORAGE BRACKETS**

D604,150 S * 11/2009 Lee D8/373

* cited by examiner

(76) Inventor: **David V Weisensel**, P.O. Box 1839,
Breckenridge, CO (US) 80424

Primary Examiner—Holly H Baynham
Assistant Examiner—Sheryl Lane
(74) *Attorney, Agent, or Firm*—Margaret Polson; Oppedahl
Patent Law Firm, LLC

(**) Term: **14 Years**

(21) Appl. No.: **29/331,576**

(57) **CLAIM**

(22) Filed: **Jan. 28, 2009**

The ornamental design for a snap fit storage bracket, as shown
and described.

(51) **LOC (9) Cl.** **08-08**

(52) **U.S. Cl.** **D8/382**

(58) **Field of Classification Search** D8/382,
D8/349, 356; D21/108; 403/167, 404, 403,
403/402, 405.1, 231

See application file for complete search history.

DESCRIPTION

FIG. 1 is a top plan view of an alternate embodiment my new
design for a snap fit storage bracket, wherein four brackets
can be connected to form a circular storage bracket.

FIG. 2 is bottom plan view of FIG. 1

FIG. 3 side elevation view of the right and left sides, which are
identical, of FIG. 1

FIG. 4 is a rear side elevation view of FIG. 1

FIG. 5 is a front side elevation view of FIG. 1; and,

FIG. 6 is a top perspective view of FIG. 1.

The broken line showing of the center portion of the bracket
is for the purpose of showing portions of the article and forms
no part of the claimed design.

(56) **References Cited**

U.S. PATENT DOCUMENTS

- 3,747,885 A * 7/1973 Ciancimino 248/188.1
- 5,110,234 A * 5/1992 Makinen 403/403
- D387,656 S * 12/1997 Liang D8/382
- D389,400 S * 1/1998 Liang D8/382
- D465,176 S * 11/2002 Grandy D12/42
- D534,064 S * 12/2006 Gimpel et al. D8/382
- D601,879 S * 10/2009 Kim et al. D8/356

1 Claim, 1 Drawing Sheet

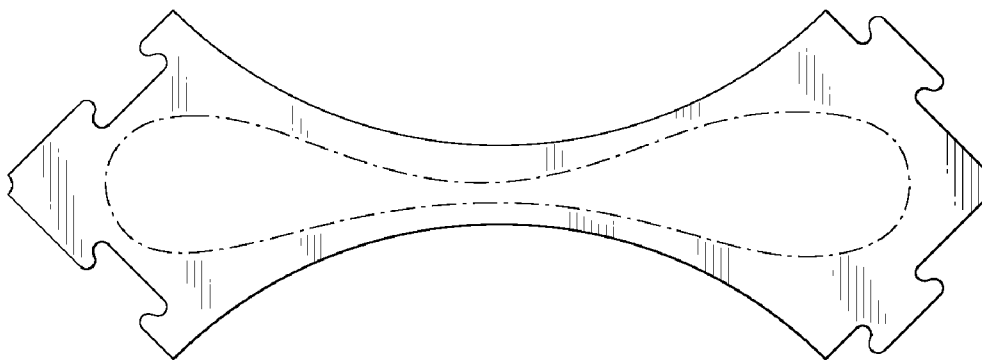




FIG. 3



FIG. 4

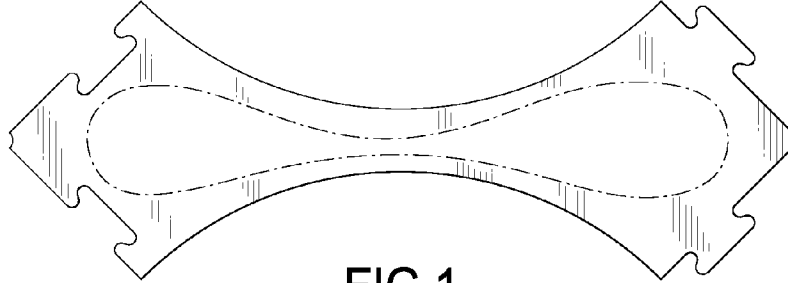


FIG. 1



FIG. 5

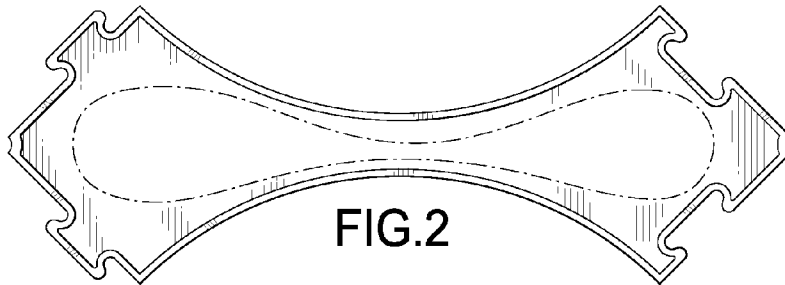


FIG. 2

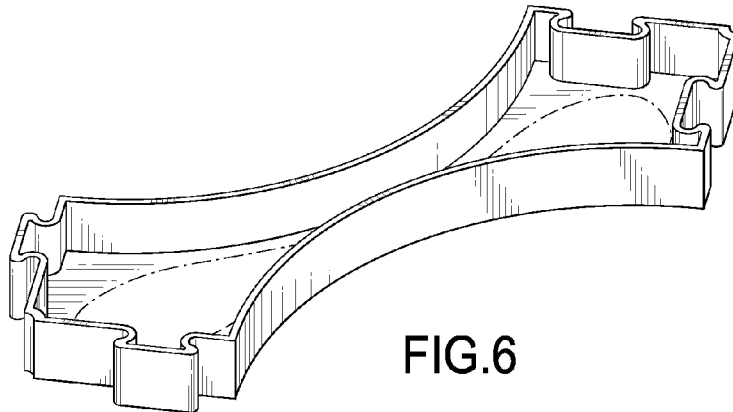


FIG. 6