



US00D990632S

(12) **United States Design Patent**  
**O'Neil**

(10) **Patent No.:** **US D990,632 S**

(45) **Date of Patent:** **\*\* \*Jun. 27, 2023**

(54) **FLUID LINE CONNECTION SHELL**

4,405,312 A *	9/1983	Gross	.....	A61L 2/18
				604/29
D464,325 S *	10/2002	Peters	.....	D13/156
D569,349 S *	5/2008	Preston	.....	D13/156
D599,478 S *	9/2009	Bizup	.....	D24/128
D624,645 S *	9/2010	Shaffer	.....	D24/129
D634,840 S *	3/2011	Lombardi, III	.....	D24/129
D844,780 S *	4/2019	White	.....	D24/129
D922,542 S *	6/2021	O'Neil	.....	D23/265
D922,543 S *	6/2021	O'Neil	.....	D23/265
D922,544 S *	6/2021	O'Neil	.....	D23/265
D923,156 S *	6/2021	O'Neil	.....	D23/265
D933,789 S *	10/2021	O'Neil	.....	D23/262
2019/0217076 A1 *	7/2019	O'Neil	.....	A61M 39/165
2021/0268255 A1 *	9/2021	O'Neil	.....	A61M 39/1011

(71) Applicant: **Terrence Jay O'Neil**, Johnson City, TN (US)

(72) Inventor: **Terrence Jay O'Neil**, Johnson City, TN (US)

(73) Assignee: **HD Clean, LLC**, Johnson City, TN (US)

(\* ) Notice: This patent is subject to a terminal disclaimer.

(\*\*) Term: **15 Years**

\* cited by examiner

(21) Appl. No.: **29/794,633**

Primary Examiner — Amy C Wierenga

(22) Filed: **Jun. 14, 2021**

(74) Attorney, Agent, or Firm — John Wood; Wood Patent Law

**Related U.S. Application Data**

(63) Continuation of application No. 29/714,816, filed on Nov. 26, 2019, now Pat. No. Des. 922,544.

(51) **LOC (14) Cl.** ..... **23-01**

(52) **U.S. Cl.**

USPC ..... **D23/265**; D24/217; D24/129

(58) **Field of Classification Search**

USPC ..... 137/551–552; 251/331; D23/213, 233, D23/235, 259–262, 264–266; 285/91, 285/148.26, 244, 384, 395, 420; D24/112, 127, 129, 108, 110.6, 113, 130; D13/133, 154–156; 138/109; 604/535

CPC ..... F16L 11/00

See application file for complete search history.

(57) **CLAIM**

The ornamental design for a fluid line connection shell, as shown and described.

**DESCRIPTION**

FIG. 1 is a top front perspective view of a fluid line connection shell showing our new design; FIG. 2 is a left side view thereof; FIG. 3 is a right side view thereof; FIG. 4 is a front view thereof; FIG. 5 is a rear view thereof; FIG. 6 is a top view thereof; and, FIG. 7 is a bottom view thereof.

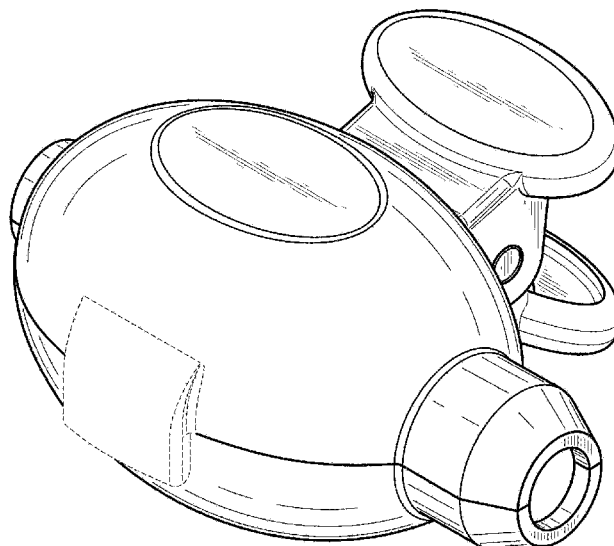
The broken lines shown in the drawings represent portions of the fluid line connection shell and form no part of the claim.

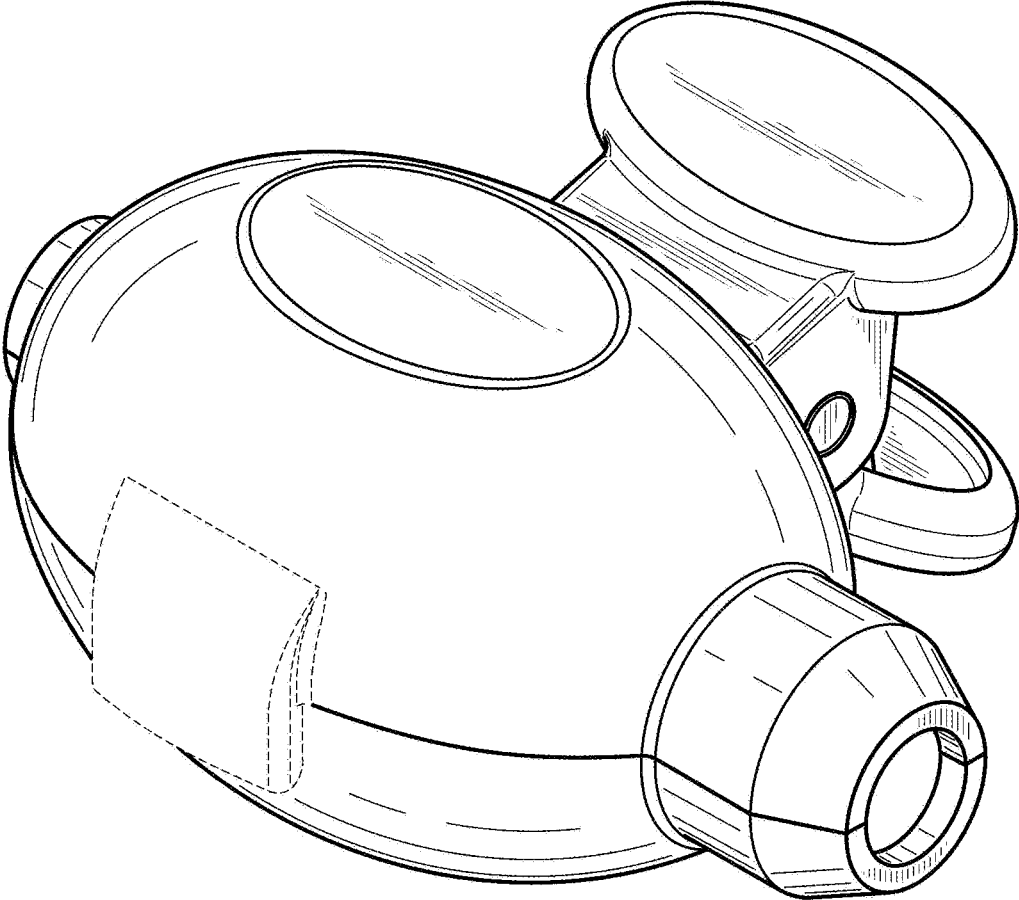
**1 Claim, 5 Drawing Sheets**

(56) **References Cited**

**U.S. PATENT DOCUMENTS**

3,059,209 A *	10/1962	Bird	.....	H01R 13/6392
				439/369
4,340,052 A *	7/1982	Dennehey	.....	A61M 39/165
				604/317





**FIG. 1**

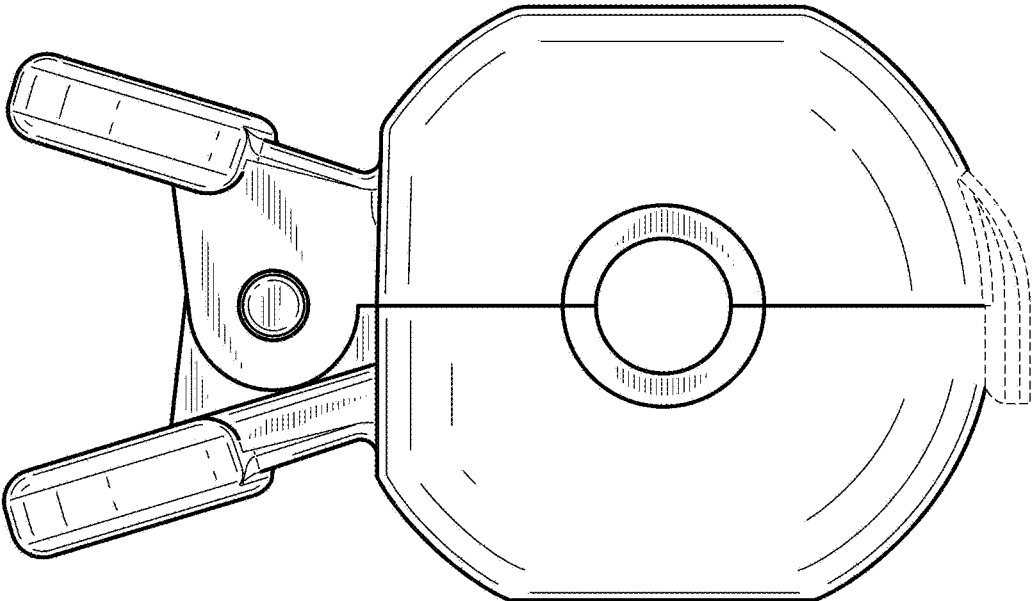


FIG. 2

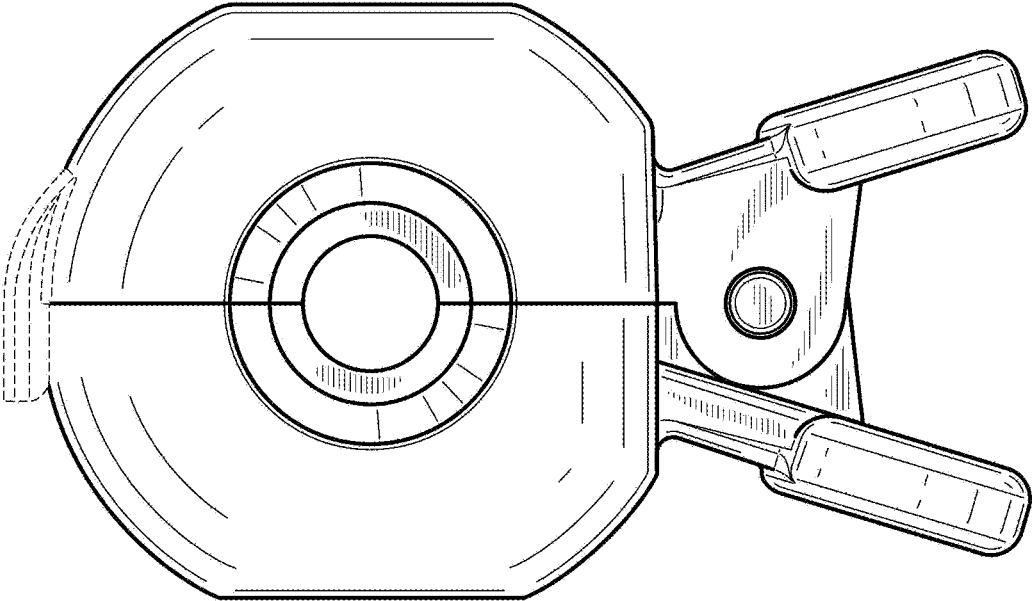


FIG. 3

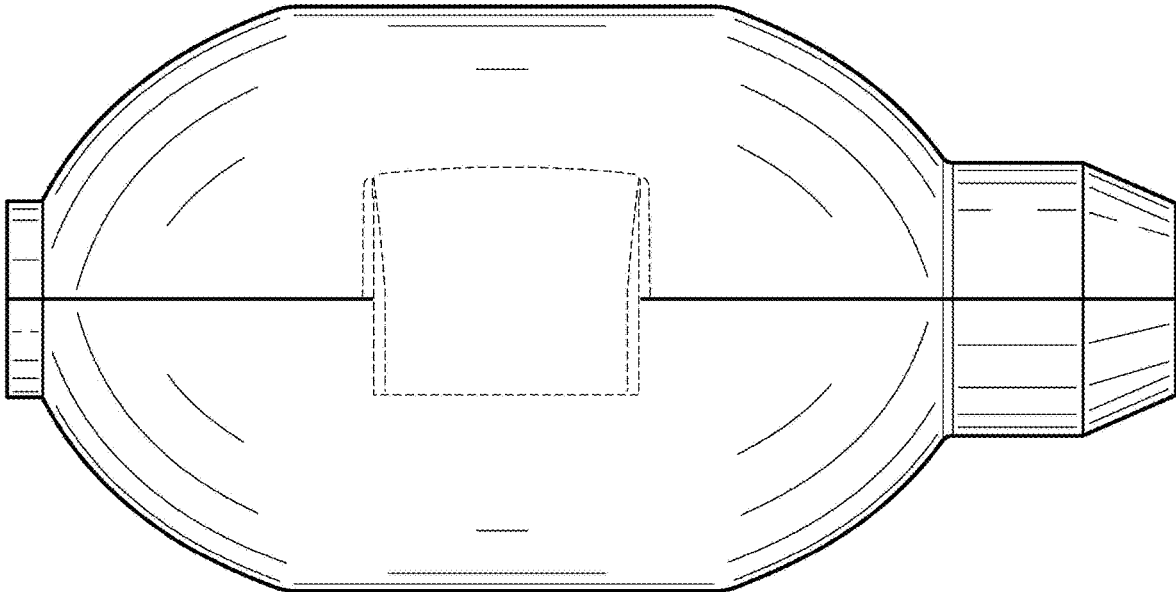


FIG. 4

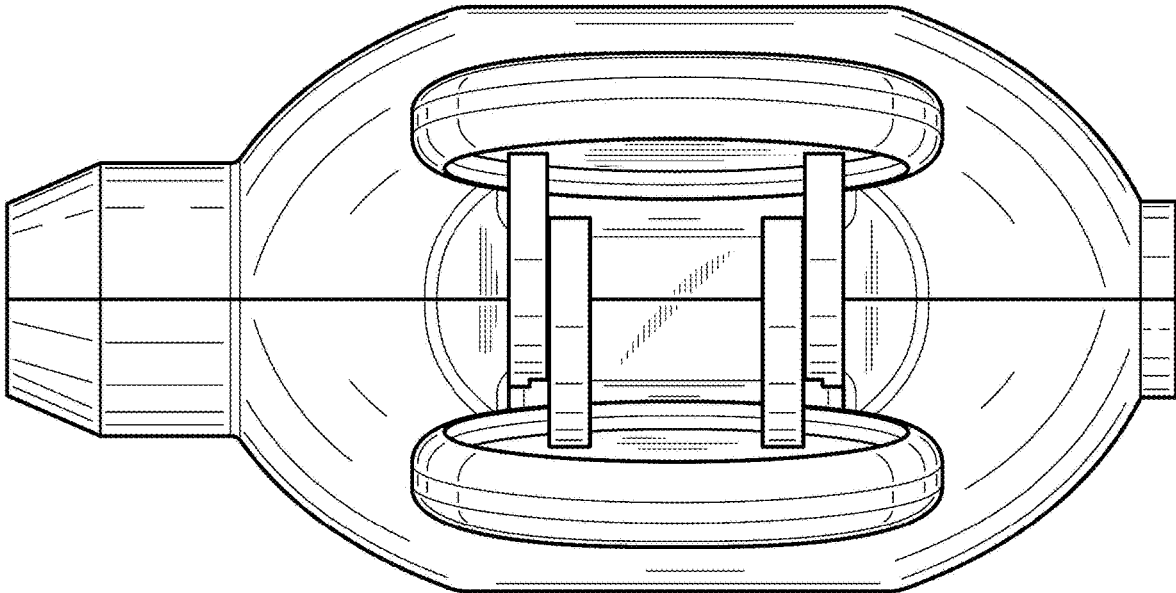


FIG. 5

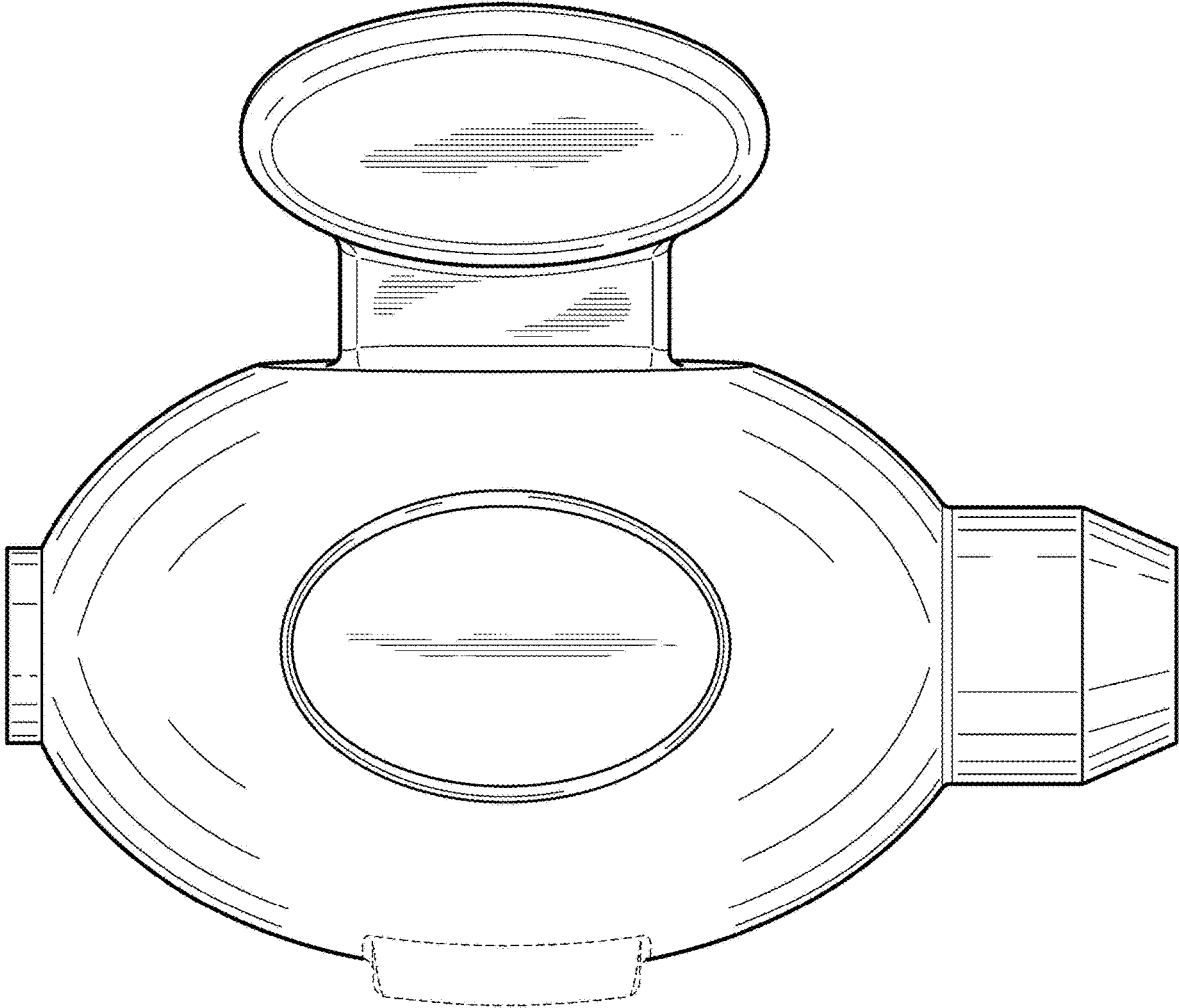


FIG. 6

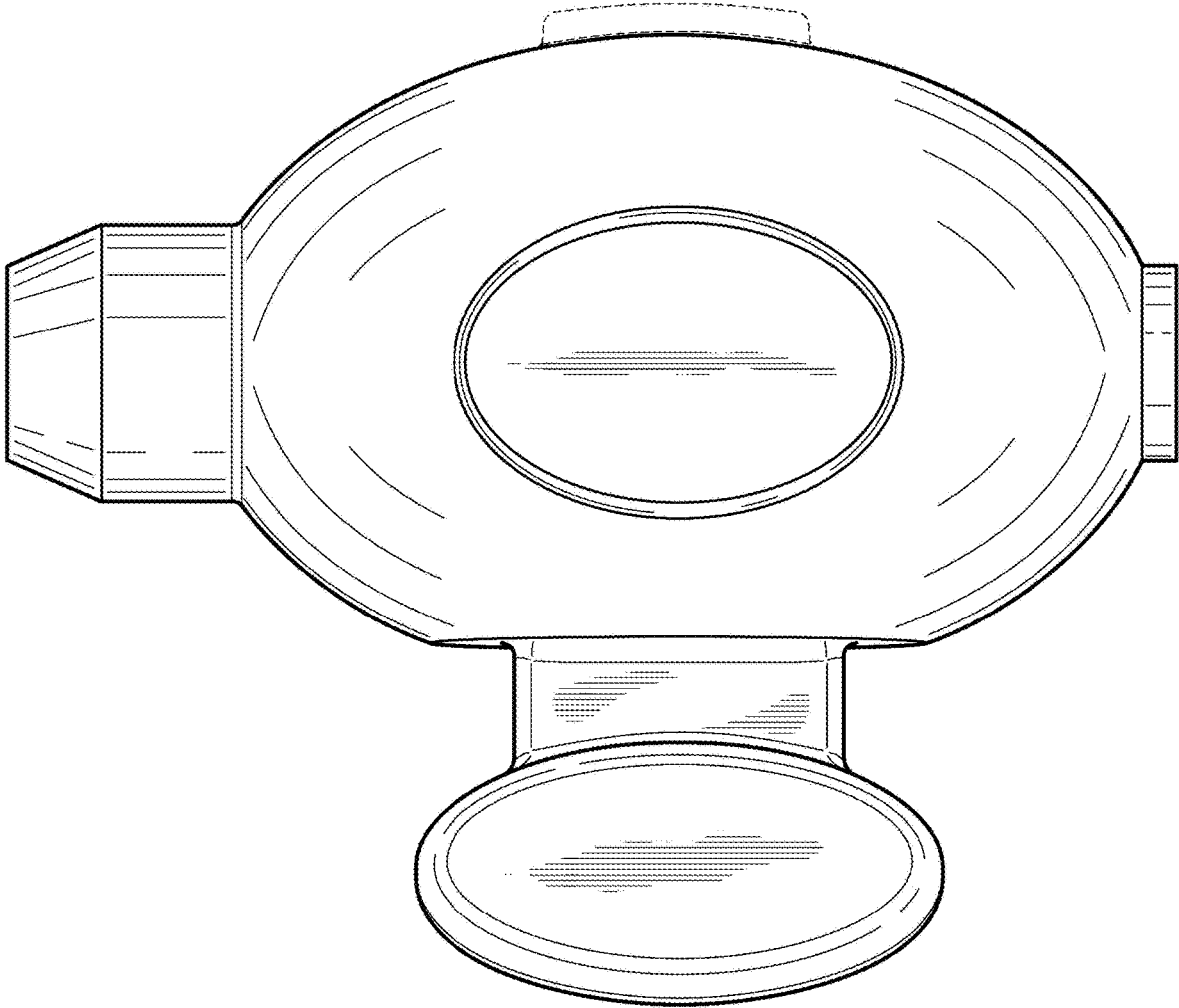


FIG. 7