

(19) World Intellectual Property Organization  
International Bureau



(43) International Publication Date  
1 September 2005 (01.09.2005)

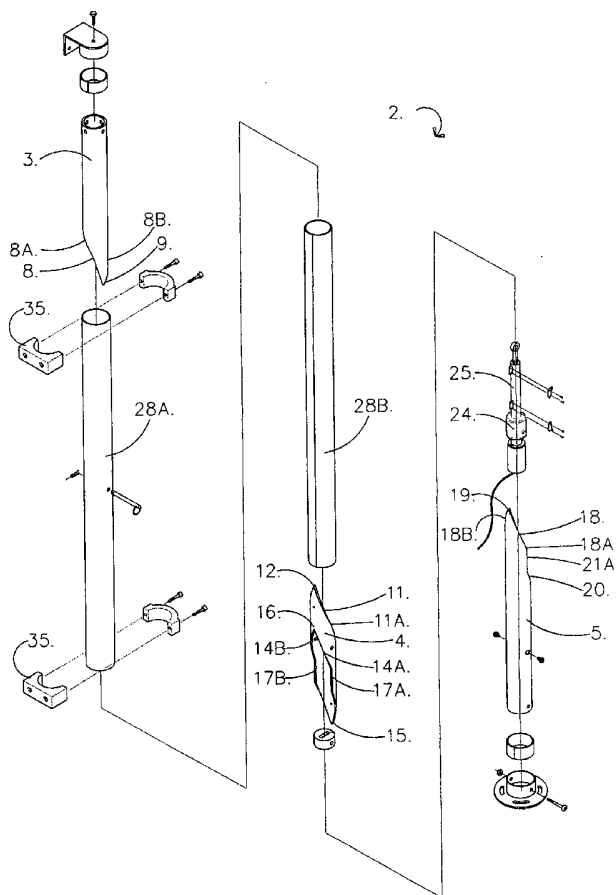
PCT

(10) International Publication Number  
**WO 2005/079473 A3**

- (51) International Patent Classification:  
**B29C 35/00** (2006.01)
- (21) International Application Number:  
PCT/US2005/005129
- (22) International Filing Date:  
18 February 2005 (18.02.2005)
- (25) Filing Language: English
- (26) Publication Language: English
- (30) Priority Data:  
60/546,517 19 February 2004 (19.02.2004) US  
10/906,429 18 February 2005 (18.02.2005) US
- (71) Applicant (for all designated States except US): **LOGICAL DECISIONS, INC.** [US/US]; P.O. Box 40165, Baton Rouge, LA 70835-0165 (US).
- (72) Inventor; and
- (75) Inventor/Applicant (for US only): **WATKINS, Guy** [US/US]; 4015 Blecker Drive, Baton Rouge, LA 70809 (US).
- (74) Agents: **FORD, R., Bennett** et al.; 2355 Drusilla Lane, Baton Rouge, LA 70809 (US).
- (81) Designated States (unless otherwise indicated, for every kind of national protection available): AE, AG, AL, AM, AT, AU, AZ, BA, BB, BG, BR, BW, BY, BZ, CA, CH, CN, CO, CR, CU, CZ, DE, DK, DM, DZ, EC, EE, EG, ES, FI, GB, GD, GE, GH, GM, HR, HU, ID, IL, IN, IS, JP, KE, KG, KP, KR, KZ, LC, LK, LR, LS, LT, LU, LV, MA, MD, MG, MK, MN, MW, MX, MZ, NA, NI, NO, NZ, OM, PG, PH, PL, PT, RO, RU, SC, SD, SE, SG, SK, SL, SM, SY, TJ, TM, TN, TR, TT, TZ, UA, UG, US, UZ, VC, VN, YU, ZA, ZM, ZW.
- (84) Designated States (unless otherwise indicated, for every kind of regional protection available): ARIPO (BW, GH, GM, KE, LS, MW, MZ, NA, SD, SL, SZ, TZ, UG, ZM, ZW), Eurasian (AM, AZ, BY, KG, KZ, MD, RU, TJ, TM), European (AT, BE, BG, CH, CY, CZ, DE, DK, EE, ES, FI, FR, GB, GR, HU, IE, IS, IT, LT, LU, MC, NL, PL, PT, RO, SE, SI, SK, TR), OAPI (BF, BJ, CF, CG, CI, CM, GA, GN, GQ, GW, ML, MR, NE, SN, TD, TG).

[Continued on next page]

(54) Title: AUTOMATIC LIFT AND TURN HINGE AND GATE



(57) Abstract: An automatic hinge having an upper or left hand section with an arcuate interior or lower edge, a central section with an arcuate left hand or upper edge and an arcuate right hand or lower edge, and a lower or right hand section with an upper or interior edge. The sections are preferably cylindrical and the edges generally elliptical. A drive moves the central section linearly between the upper and lower sections. As the central and upper sections engage, the central section will rotate in one direction. As the central section engages the lower section, the central section will rotate in the opposite direction. A gate is preferably attached to the central section. By linearly moving the central section, the gate is lifted and turned. The preferred configuration allows the hinge to open a gate inward or outward in both a left hand mount and a right hand mount.

WO 2005/079473 A3



**Published:**

— *with international search report*

**(88) Date of publication of the international search report:**

26 October 2006

*For two-letter codes and other abbreviations, refer to the "Guidance Notes on Codes and Abbreviations" appearing at the beginning of each regular issue of the PCT Gazette.*

# INTERNATIONAL SEARCH REPORT

International application No.

PCT/US05/05129

<b>A. CLASSIFICATION OF SUBJECT MATTER</b> IPC: <b>B29C 035/00</b>  USPC: Please See Continuation Sheet According to International Patent Classification (IPC) or to both national classification and IPC		
<b>B. FIELDS SEARCHED</b> Minimum documentation searched (classification system followed by classification symbols) U.S. : Please See Continuation Sheet  Documentation searched other than minimum documentation to the extent that such documents are included in the fields searched  Electronic data base consulted during the international search (name of data base and, where practicable, search terms used)		
<b>C. DOCUMENTS CONSIDERED TO BE RELEVANT</b>		
Category *	Citation of document, with indication, where appropriate, of the relevant passages	Relevant to claim No.
X	US 4,391,020 A (HSU) 05 July 1983, col. 1, lines 31-34.	1-5, 9-16, 18
<input type="checkbox"/> Further documents are listed in the continuation of Box C.		
<input type="checkbox"/> See patent family annex.		
* Special categories of cited documents:		
"A" document defining the general state of the art which is not considered to be of particular relevance	"T" later document published after the international filing date or priority date and not in conflict with the application but cited to understand the principle or theory underlying the invention	
"E" earlier application or patent published on or after the international filing date	"X" document of particular relevance; the claimed invention cannot be considered novel or cannot be considered to involve an inventive step when the document is taken alone	
"L" document which may throw doubts on priority claim(s) or which is cited to establish the publication date of another citation or other special reason (as specified)	"Y" document of particular relevance; the claimed invention cannot be considered to involve an inventive step when the document is combined with one or more other such documents, such combination being obvious to a person skilled in the art	
"O" document referring to an oral disclosure, use, exhibition or other means	"&" document member of the same patent family	
"P" document published prior to the international filing date but later than the priority date claimed		
Date of the actual completion of the international search 22 June 2006 (22.06.2006)	Date of mailing of the international search report <div style="text-align: center; font-size: 1.2em;">20 JUL 2006</div>	
Name and mailing address of the ISA/US Mail Stop PCT, Attn: ISA/US Commissioner for Patents P.O. Box 1450 Alexandria, Virginia 22313-1450 Facsimile No. (571) 273-3201	Authorized officer Krynski William Telephone No. 571-272-1024 <div style="text-align: right;">                     Jean Proctor                      Paralegal Specialist                 </div>	

**INTERNATIONAL SEARCH REPORT**

International application No.  
PCT/US05/05129

Continuation of B. FIELDS SEARCHED Item 1:

16/86.1,86.2,310,316,235,248,309,312,389,231; 160/199,196.1; 49/381,371,208,254,237,239,399; 403403/109.5,295,119,350

Continuation of USPC:

16/86.1,86.2,310,316,235,248,309,312,389,231;160/199,196.1;49/381,371,208,254,237,239,399;403403/109.5,295,119,350