



US00D642458S

(12) **United States Design Patent**  
**Samartgis**

(10) **Patent No.:** **US D642,458 S**

(45) **Date of Patent:** **\*\* \*Aug. 2, 2011**

- (54) **LID AND SEAL FOR CONTAINER**
- (75) Inventor: **Jim Samartgis**, Melbourne (AU)
- (73) Assignee: **The Decor Corporation Pty Ltd.**, Scoresby, Victoria (AU)
- (\* ) Notice: This patent is subject to a terminal disclaimer.
- (\*\*) Term: **14 Years**

*Primary Examiner* — Rob Spear  
*Assistant Examiner* — Rashida C McCoy  
 (74) *Attorney, Agent, or Firm* — Cool Alex Ltd.

(57) **CLAIM**  
 I claim the ornamental design for a lid and seal for container, as shown and described.

**DESCRIPTION**

FIG. 1 is a front perspective view, from above, of the claimed design;  
 FIG. 2 is a rear perspective view, from beneath, of the claimed design;  
 FIG. 3 is an exploded rear perspective view, from beneath, of the claimed design, showing the lid component and seal component separated;  
 FIG. 4 is an exploded front perspective view, from above, of the claimed design, showing the lid component and seal component separated;  
 FIG. 5 is a top plan view of the lid component of the claimed design;  
 FIG. 6 is an underneath plan view of the lid component of the claimed design;  
 FIG. 7 is a top plan view of the seal component of the claimed design;  
 FIG. 8 is an underneath plan view of the seal component of the claimed design;  
 FIG. 9 is a left or right side view of the lid component of the claimed design. The left side view is the same as the right side view;  
 FIG. 10 is an end view of the lid component of the claimed design. Both end views are the same;  
 FIG. 11 is a left or right side view of the seal component of the claimed design. The left side view is the same as the right side view; and,  
 FIG. 12 is an end view of the seal component of the claimed design. Both end views are the same.  
 The purpose of broken lines in the drawing is to illustrate an optional vent that forms no part of the design to be patented. The claimed design is the lid and seal, in combination.

- (21) Appl. No.: **29/353,530**
- (22) Filed: **Jan. 11, 2010**
- (30) **Foreign Application Priority Data**  
 Aug. 14, 2009 (AU) ..... 13087/2009
- (51) **LOC (9) Cl.** ..... **09-07**
- (52) **U.S. Cl.** ..... **D9/435**
- (58) **Field of Classification Search** ..... D9/424, D9/425, 431, 432, 434, 435, 436, 438, 455, D9/456, 444, 445, 443; D7/392.1, 629, 391, D7/607, 608, 622, 624.2, 624.3; 220/780, 220/256, 901, 802, 796, 784, 781; 215/352, 215/328, 256, 253, 252, 243, 237, 228, 223  
 See application file for complete search history.

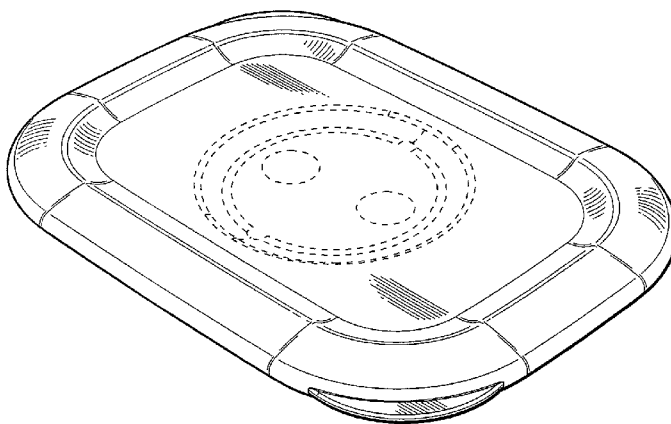
- (56) **References Cited**  
**U.S. PATENT DOCUMENTS**  
 D3,358 S \* 2/1869 Pratt ..... D9/434  
 D3,367 S \* 2/1869 Pratt ..... D9/434  
 D117,714 S \* 11/1939 Guttman ..... D9/455  
 D170,104 S \* 7/1953 Zabel ..... D9/443  
 3,384,263 A \* 5/1968 Bernstein ..... 206/519  
 D220,448 S \* 4/1971 Swett ..... D7/629  
 D224,553 S \* 8/1972 Swett ..... D7/542

(Continued)

- OTHER PUBLICATIONS**  
 U.S. Appl. No. 29/354,977, Jim Samartgis.

(Continued)

**1 Claim, 6 Drawing Sheets**



U.S. PATENT DOCUMENTS

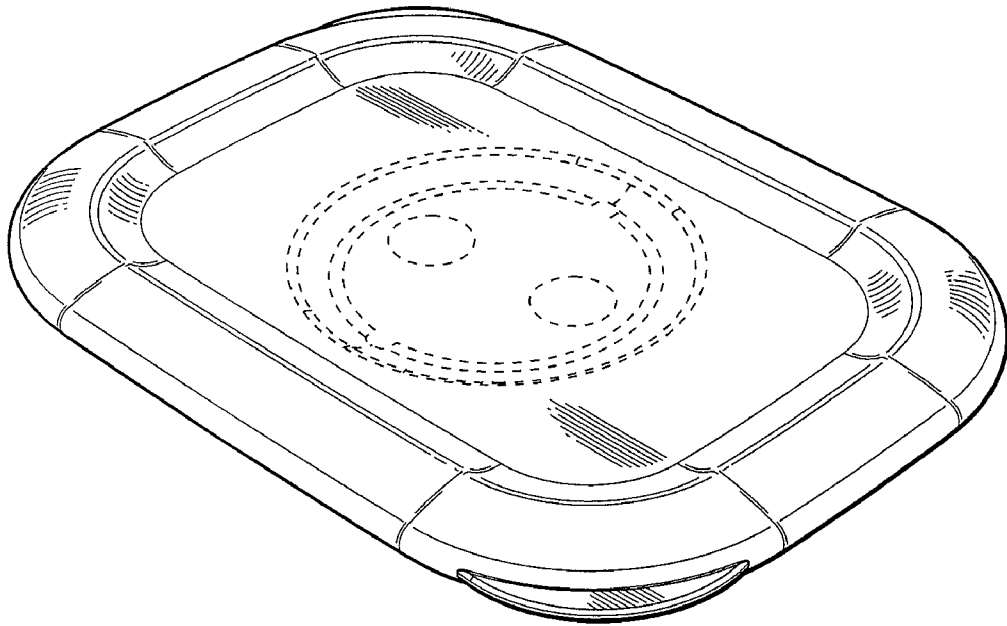
D224,554	S	*	8/1972	Swett	.....	D7/629
D229,916	S	*	1/1974	Schneider	.....	D7/542
D232,703	S	*	9/1974	Knoz	.....	D9/424
D234,568	S	*	3/1975	Swett	.....	D7/629
D240,114	S	*	6/1976	Martinelli	.....	D7/629
D241,599	S	*	9/1976	Croyle	.....	D7/629
D241,703	S	*	10/1976	Ashton	.....	D7/629
D267,703	S	*	1/1983	Chase et al.	.....	D9/435
D285,906	S	*	9/1986	Tyler	.....	D9/425
D287,573	S	*	1/1987	Tyler	.....	D9/435
D289,719	S	*	5/1987	Daenen et al.	.....	D7/392.1
D330,660	S	*	11/1992	Newton et al.	.....	D7/392.1
D351,791	S	*	10/1994	Morris, Sr.	.....	D9/425
D354,655	S	*	1/1995	Daenen et al.	.....	D7/392.1
D358,328	S	*	5/1995	Huerto et al.	.....	D9/435
D365,273	S	*	12/1995	Indekeu	.....	D9/434
D375,654	S	*	11/1996	Ferris	.....	D7/392.1
D403,582	S	*	1/1999	Nask et al.	.....	D9/435
D403,583	S	*	1/1999	Nask et al.	.....	D9/435
D446,117	S	*	8/2001	Conti	.....	D9/435
D536,248	S	*	2/2007	Lesquir	.....	D9/435
D540,669	S	*	4/2007	George et al.	.....	D9/435
D571,200	S	*	6/2008	Bouveret et al.	.....	D9/435
D584,145	S	*	1/2009	Young	.....	D9/435
D588,914	S	*	3/2009	Laurieu-Tedeschi	.....	D9/435
D593,855	S	*	6/2009	Scheve	.....	D9/435

OTHER PUBLICATIONS

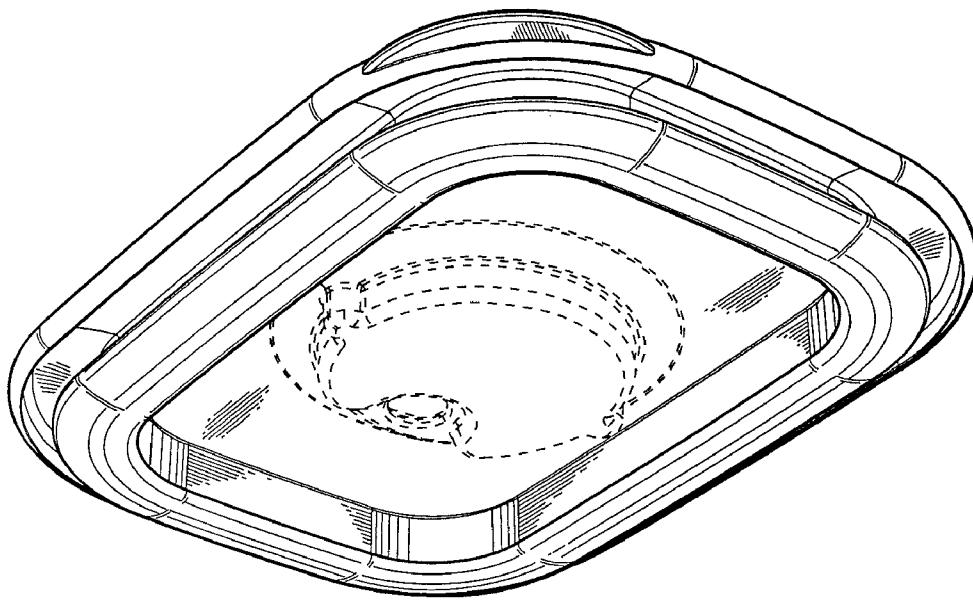
U.S. Appl. No. 29/354,979, Jim Samartgis.  
 U.S. Appl. No. 29/354,981, Jim Samartgis.  
 U.S. Appl. No. 29/354,988, Jim Samartgis.

U.S. Appl. No. 29/354,989, Jim Samartgis.  
 U.S. Appl. No. 29/359,442, Jim Samartgis.  
 U.S. Appl. No. 29/359,443, Jim Samartgis.  
 U.S. Appl. No. 29/359,448, Jim Samartgis.  
 U.S. Appl. No. 29/359,450, Jim Samartgis.  
 U.S. Appl. No. 29/359,452, Jim Samartgis.  
 U.S. Appl. No. 29/359,453, Jim Samartgis.  
 U.S. Appl. No. 29/359,454, Jim Samartgis.  
 U.S. Appl. No. 29/359,456, Jim Samartgis.  
 U.S. Appl. No. 29/359,457, Jim Samartgis.  
 U.S. Appl. No. 29/353,513, Jim Samartgis.  
 U.S. Appl. No. 29/353,514, Jim Samartgis.  
 U.S. Appl. No. 29/353,515, Jim Samartgis.  
 U.S. Appl. No. 29/353,518, Jim Samartgis.  
 U.S. Appl. No. 29/353,523, Jim Samartgis.  
 U.S. Appl. No. 29/353,525, Jim Samartgis.  
 U.S. Appl. No. 29/353,529, Jim Samartgis.  
 U.S. Appl. No. 29/353,530, Jim Samartgis.  
 U.S. Appl. No. 29/353,531, Jim Samartgis.  
 U.S. Appl. No. 29/353,532, Jim Samartgis.  
 U.S. Appl. No. 29/353,533, Jim Samartgis.  
 U.S. Appl. No. 29/353,537, Jim Samartgis.  
 U.S. Appl. No. 29/354,967, Jim Samartgis.  
 U.S. Appl. No. 29/354,969, Jim Samartgis.  
 U.S. Appl. No. 29/354,971, Jim Samartgis.  
 U.S. Appl. No. 29/354,972, Jim Samartgis.  
 U.S. Appl. No. 29/354,973, Jim Samartgis.  
 U.S. Appl. No. 29/354,975, Jim Samartgis.  
 U.S. Appl. No. 29/354,976, Jim Samartgis.

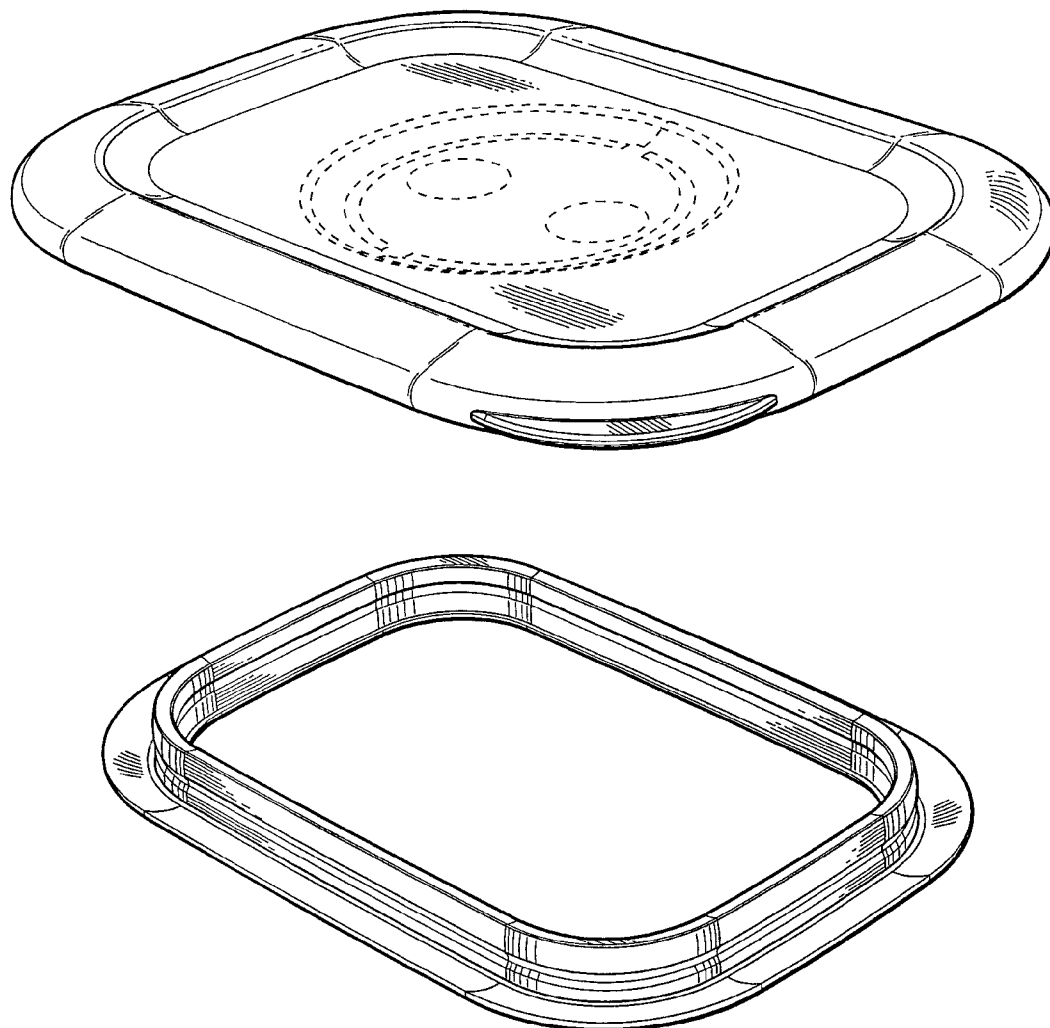
\* cited by examiner



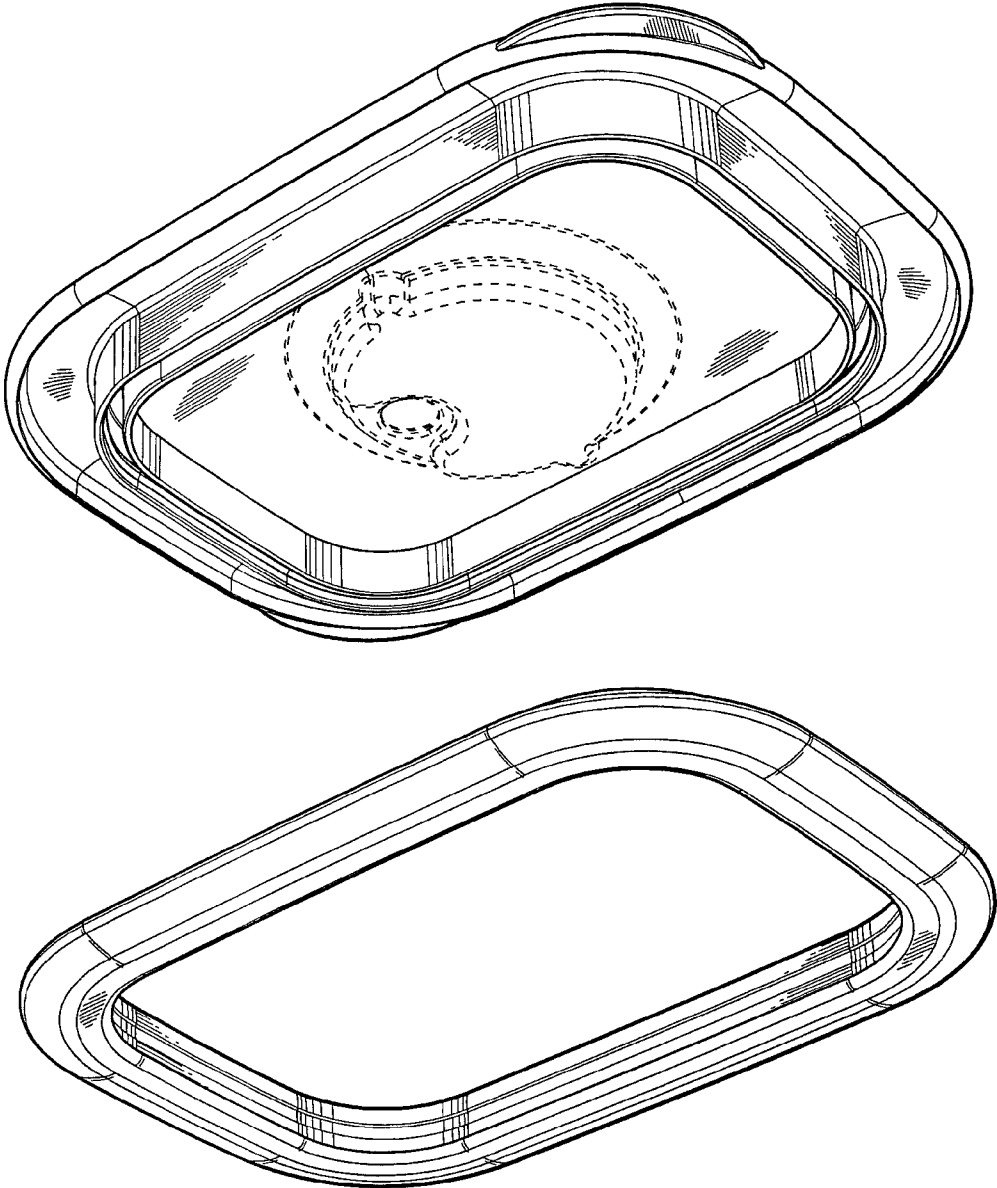
*Fig. 1*



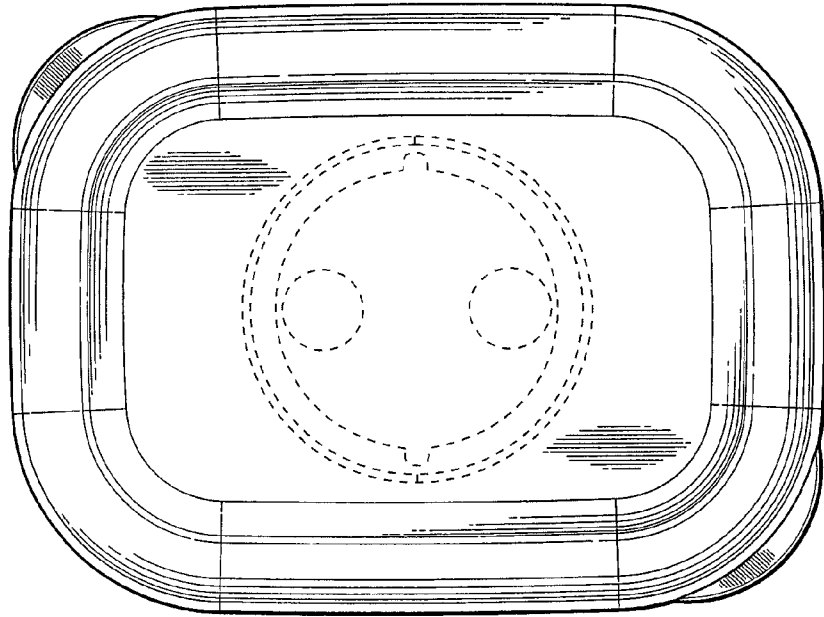
*Fig. 2*



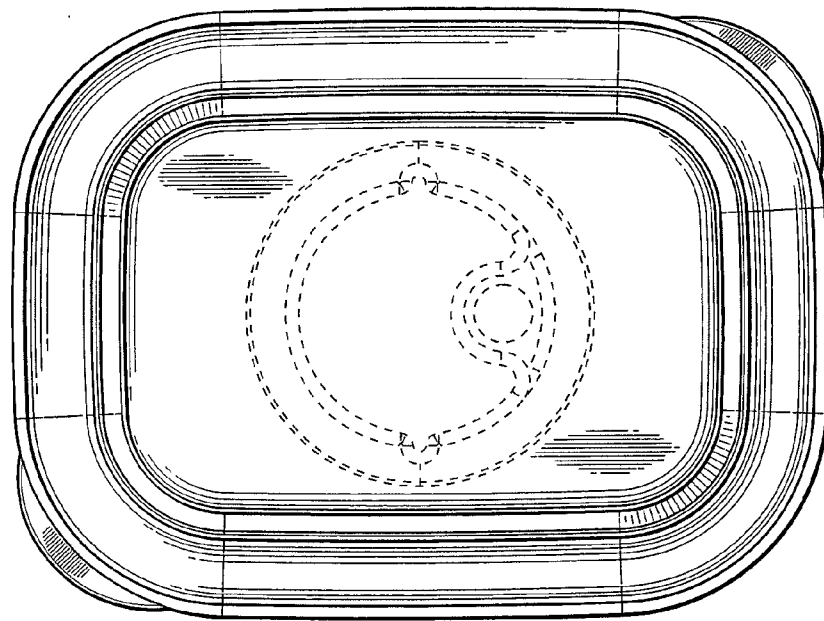
*Fig. 3*



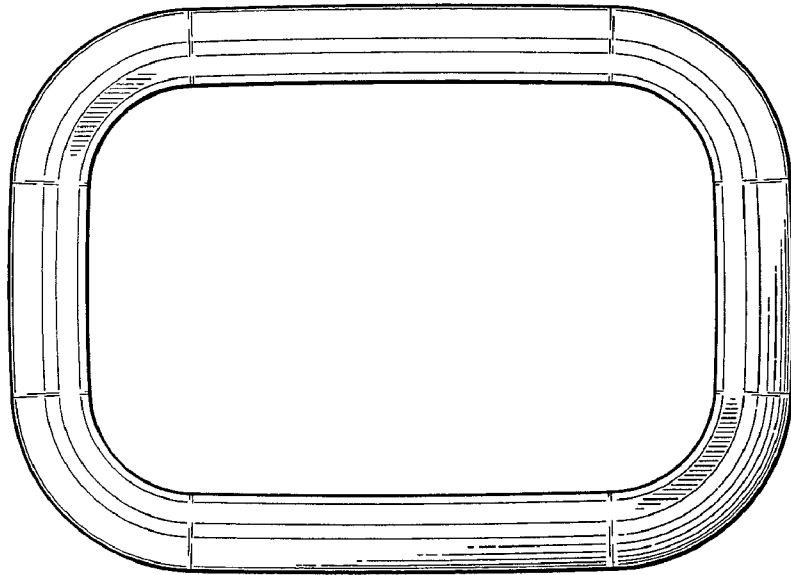
*Fig. 4*



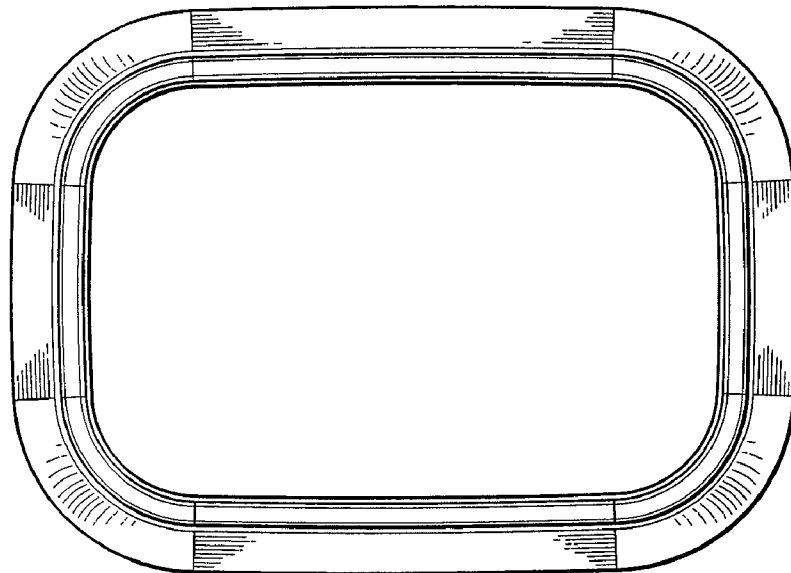
*Fig. 5*



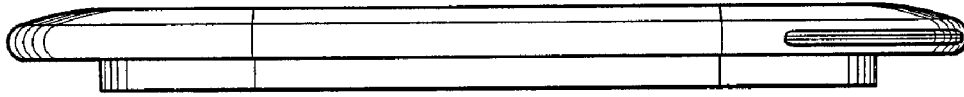
*Fig. 6*



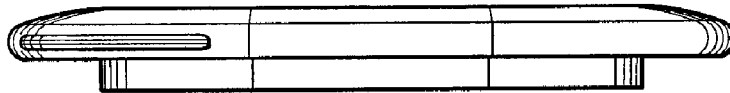
*Fig. 7*



*Fig. 8*



*Fig. 9*



*Fig. 10*



*Fig. 11*



*Fig. 12*