



US00D738697S

(12) **United States Design Patent**  
**Ortiz Gispert**

(10) **Patent No.:** **US D738,697 S**

(45) **Date of Patent:** **\*\* Sep. 15, 2015**

(54) **COMBINED LUNCH BOX AND INTEGRATED CANTEEN**

(71) Applicant: **STOR, S.L.**, Madrid (ES)

(72) Inventor: **Valentin Ortiz Gispert**, Madrid (ES)

(73) Assignee: **STOR, S.L.**, Madrid (ES)

(\*\*) Term: **14 Years**

(21) Appl. No.: **29/523,527**

(22) Filed: **Apr. 10, 2015**

**Related U.S. Application Data**

(62) Division of application No. 29/468,820, filed on Oct. 3, 2013, now Pat. No. Des. 733,510.

(51) **LOC (10) Cl.** ..... **07-99**

(52) **U.S. Cl.**

USPC ..... **D7/709**

(58) **Field of Classification Search**

USPC ..... D7/709, 710, 601; 220/592.2, 592.27,  
220/915.1, 771; 206/217, 223, 541-549;  
D3/201, 202, 206, 232, 273, 274

CPC ..... A45C 11/20

See application file for complete search history.

(56) **References Cited**

**U.S. PATENT DOCUMENTS**

3,025,947 A 3/1962 Hammer  
3,610,409 A \* 10/1971 Graf ..... 206/543

3,648,830 A 3/1972 Graf  
4,050,581 A 9/1977 Sedlacek  
4,216,862 A 8/1980 Daenen  
D259,167 S \* 5/1981 Daenen ..... D7/709  
D336,409 S 6/1993 Kahl et al.  
D346,489 S 5/1994 Bean et al.  
5,427,265 A \* 6/1995 Cautereels et al. .... 220/318  
D376,074 S 12/1996 Vossoughi et al.  
D408,143 S 4/1999 Miller  
6,105,844 A 8/2000 Walters et al.  
D637,458 S 5/2011 Harbinson  
D654,334 S 2/2012 Gispert

\* cited by examiner

*Primary Examiner* — Terry Wallace

(74) *Attorney, Agent, or Firm* — Muncy, Geissler, Olds & Lowe, P.C.

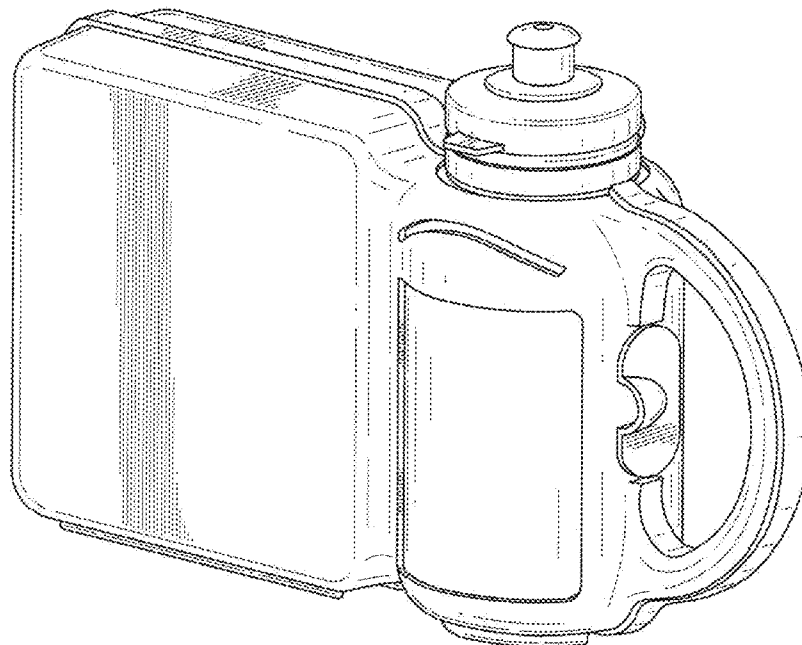
(57) **CLAIM**

The ornamental design for a combined lunch box and integrated canteen, as shown and described.

**DESCRIPTION**

FIG. 1 is a perspective view of a combined lunch box and integrated canteen;  
FIG. 2 is a front view thereof, the rear view being a mirror image thereof;  
FIG. 3 is a left side view thereof;  
FIG. 4 is a right side view thereof;  
FIG. 5 is a top plan view thereof;  
FIG. 6 is a bottom plan view thereof; and,  
FIG. 7 is a perspective view thereof, with the lunch box in an open position and the integrated canteen removed therefrom.

**1 Claim, 7 Drawing Sheets**



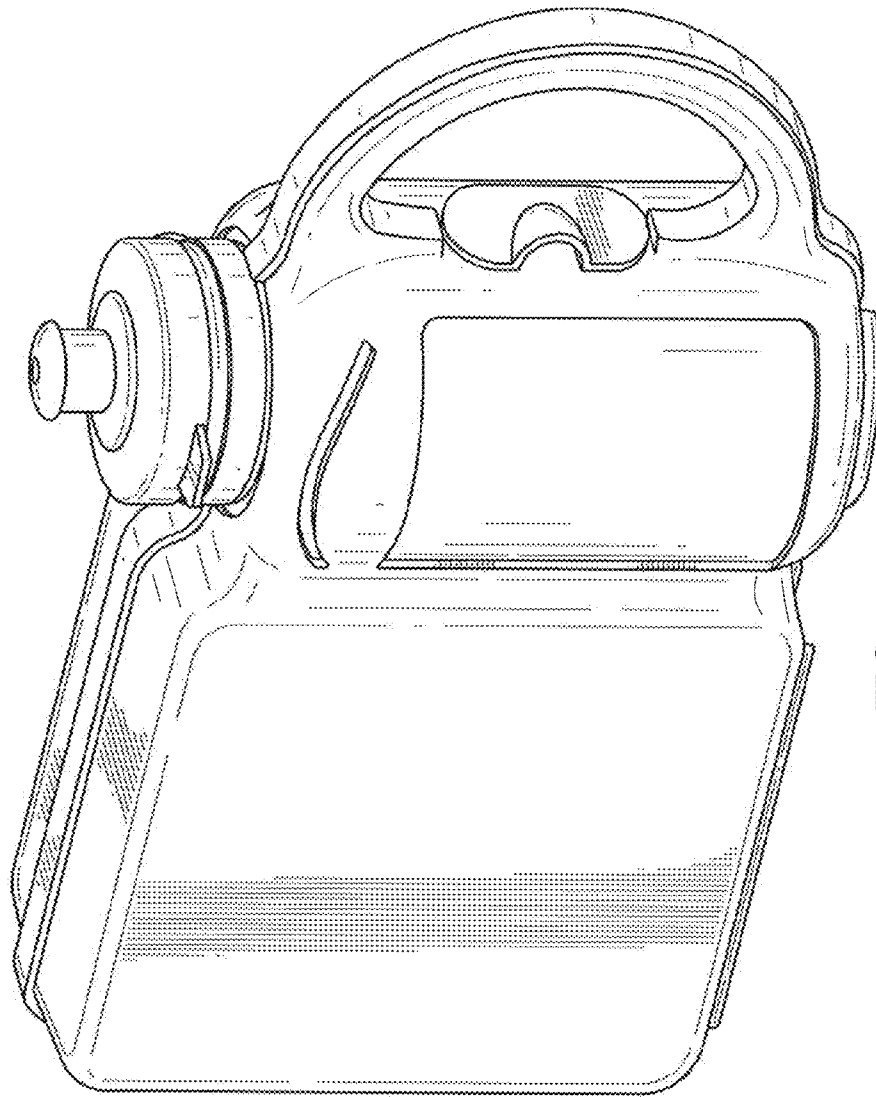


FIG. 1

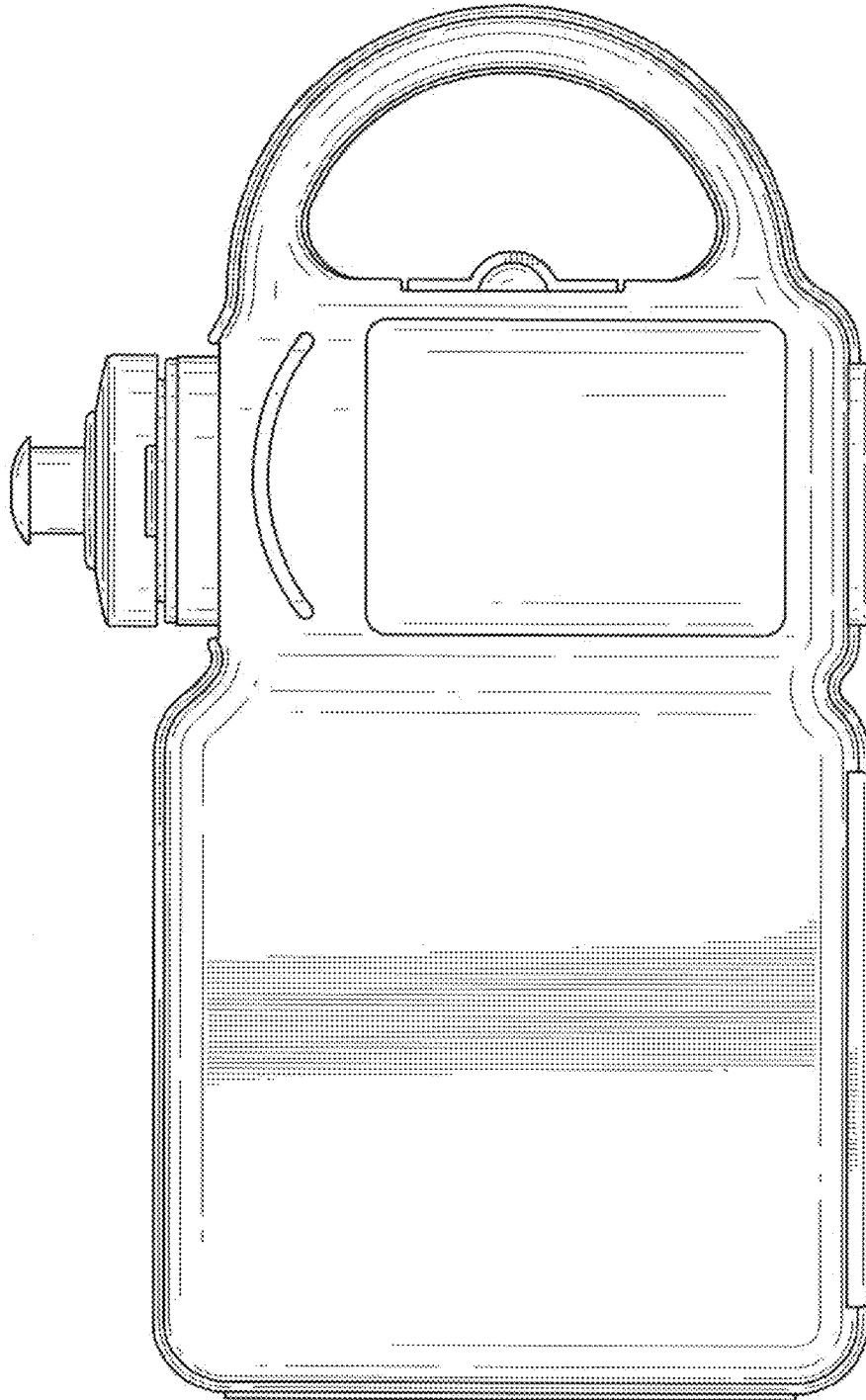


FIG. 2

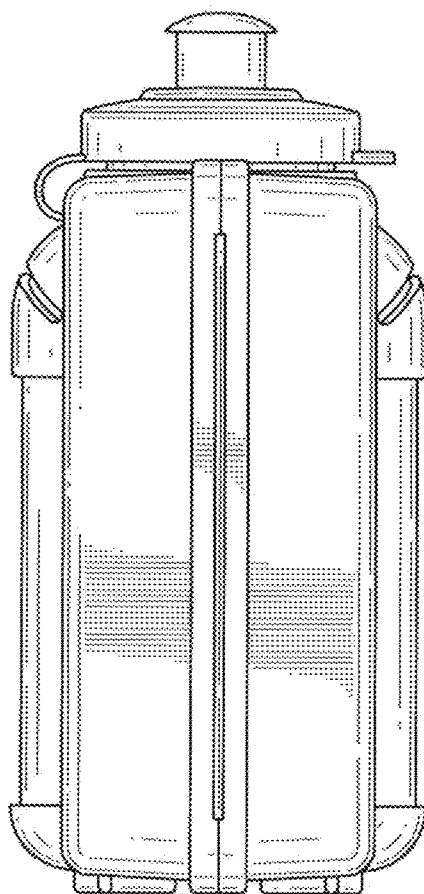


FIG. 3

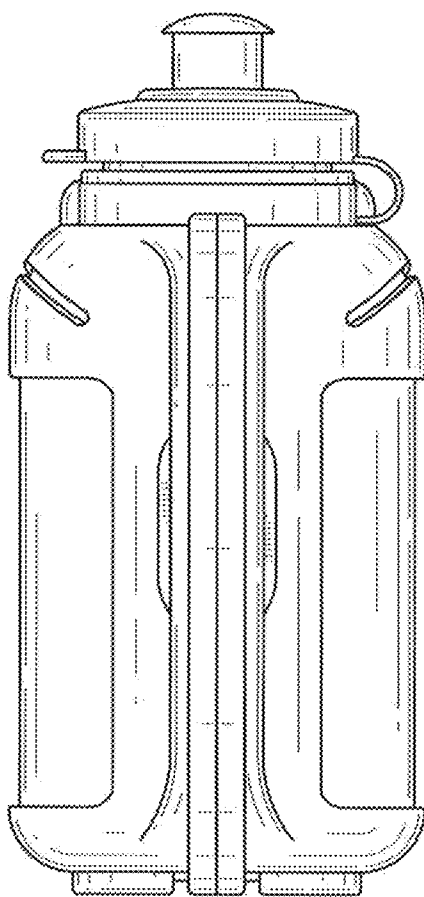


FIG. 4

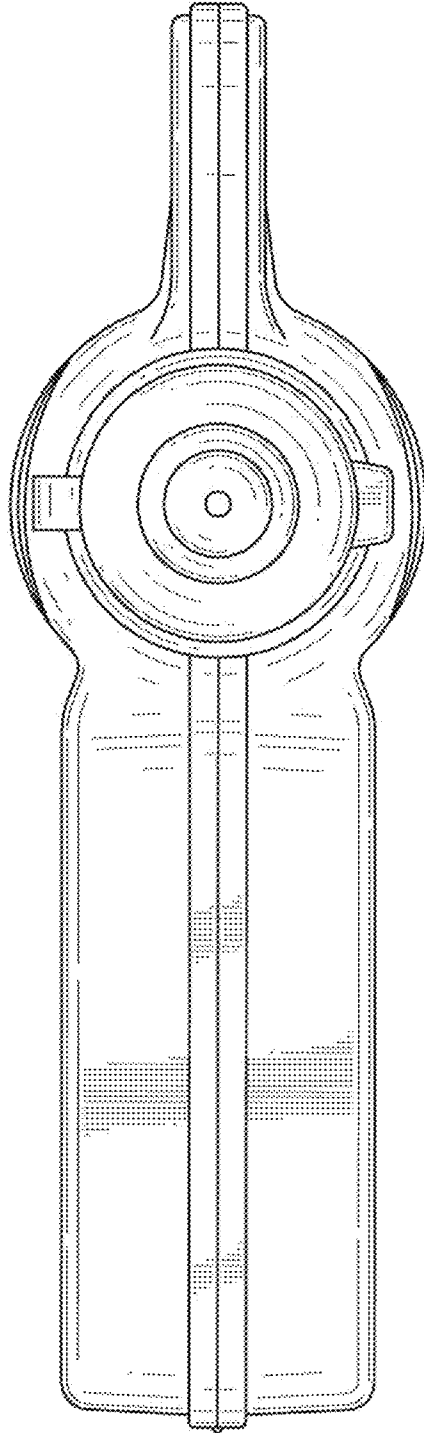


FIG. 5

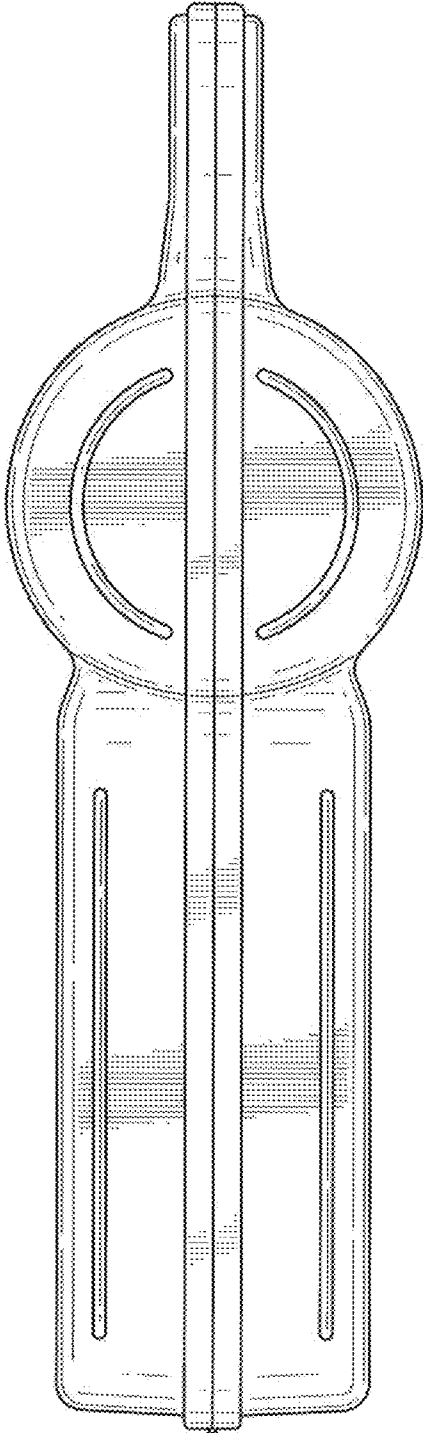


FIG. 6

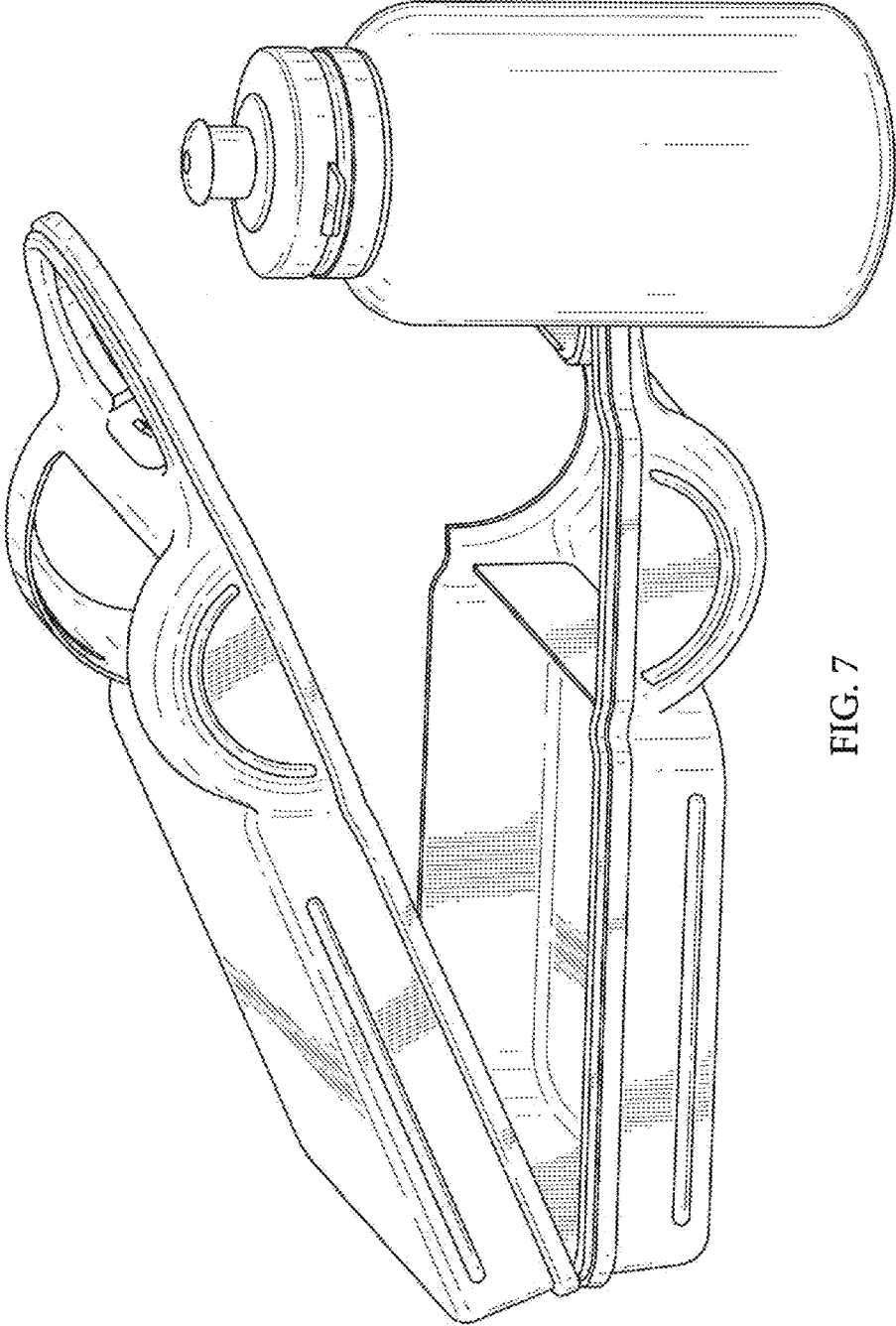


FIG. 7