



US00D412843S

United States Patent [19]

[11] Patent Number: Des. 412,843

Melzer

[45] Date of Patent: ** Aug. 17, 1999

[54] PACKAGE

Primary Examiner—Prabhakar G. Deshmukh
Attorney, Agent, or Firm—Lawrence G. Fridman

[75] Inventor: Steven Melzer, Marlboro, N.J.

[57] CLAIM

[73] Assignee: Ballarini, Paolo & Figli SpA, Rivarolo Mantovano, Italy

The ornamental design for a package, as shown and described.

[**] Term: 14 Years

DESCRIPTION

[21] Appl. No.: 29/084,642

FIG. 1 is a front perspective view of a package in the assembled condition according to my new design;

[22] Filed: Mar. 6, 1998

FIG. 2 is a rear perspective view of the package in the assembled condition;

[51] LOC (6) Cl. 09-07

FIG. 3 is a top plan view thereof;

[52] U.S. Cl. D9/415

FIG. 4 is a bottom plan view thereof;

[58] Field of Search D9/415, 418, 414,
D9/346, 433; 206/45.28, 45.29, 303, 304.1,
304.2, 462, 471, 495, 806, 775-779

FIG. 5 is a front elevational view thereof;

FIG. 6 is a rear elevational view thereof;

FIG. 7 is a right-hand side elevational view thereof (a left-hand side is a mirror image of FIG. 7);

FIG. 8 is a plan view of the package in the flat condition; and,

[56] References Cited

U.S. PATENT DOCUMENTS

D. 354,679	1/1995	Dunn	D9/415
D. 371,070	6/1996	Brier	D9/415
3,767,043	10/1973	Margolis et al.	206/775 X
3,912,074	10/1975	Vargo	206/779
4,315,569	2/1982	Jaeschke	206/779 X
4,400,161	8/1983	Gerlt	206/760 X
5,495,937	3/1996	Fraser	206/775 X
5,622,258	4/1997	Baublitz et al.	206/779 X

FIG. 9 is a partial plan view of a modified embodiment of the package.

The broken lines showing of an article is for illustrative purpose only and forms no part of the claim. The corresponding views of the second embodiment (FIG. 9) are the same as disclosed in FIGS. 2-8 of the first embodiment (FIG. 1) except the opening configuration.

1 Claim, 3 Drawing Sheets

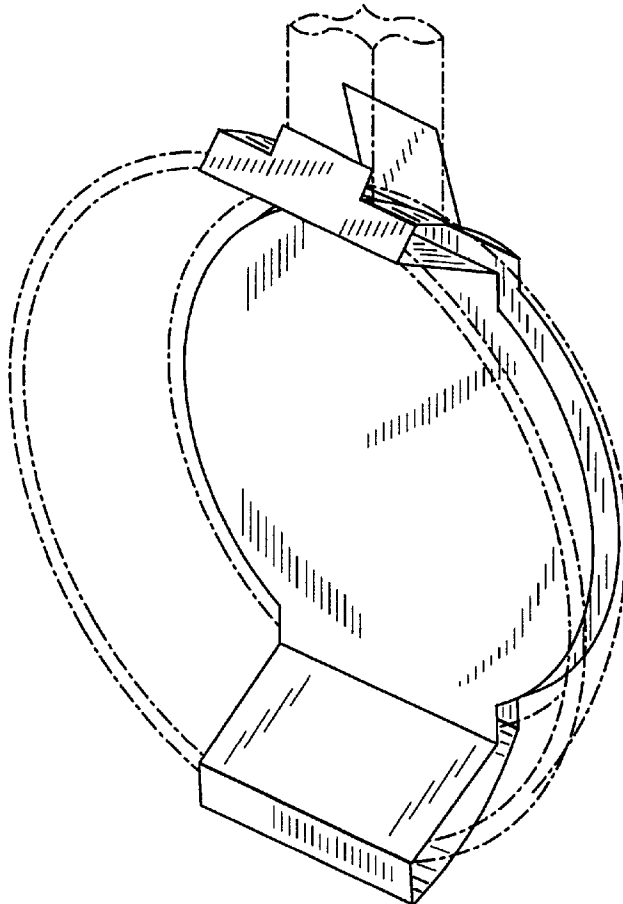


FIG. 1

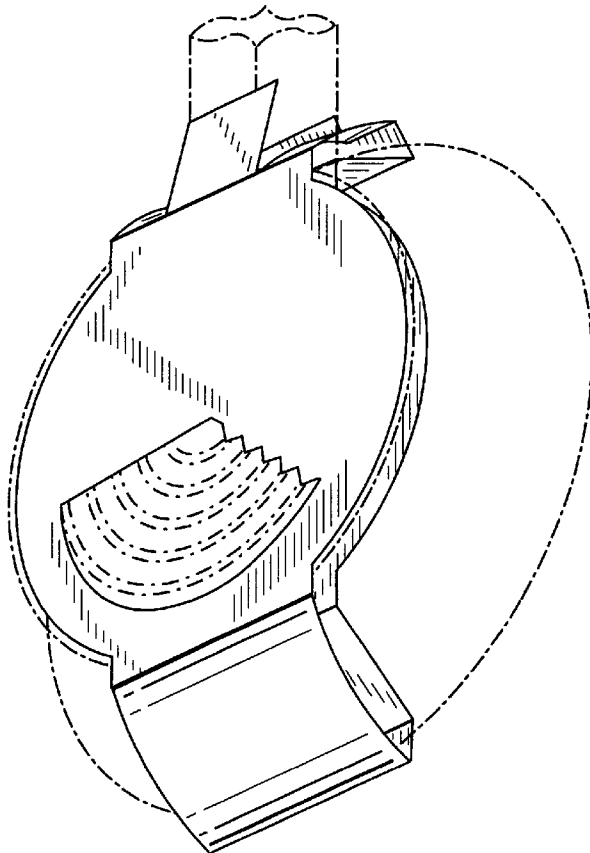
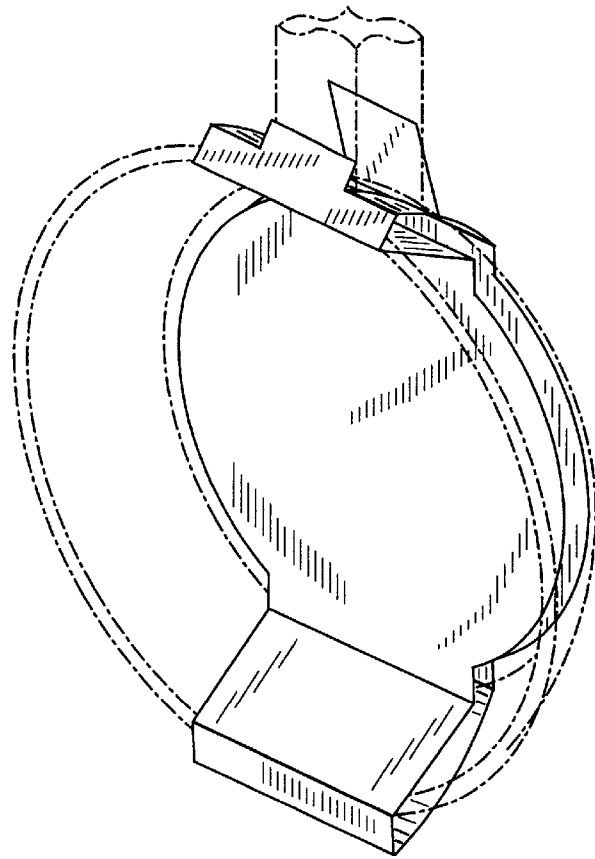


FIG. 2

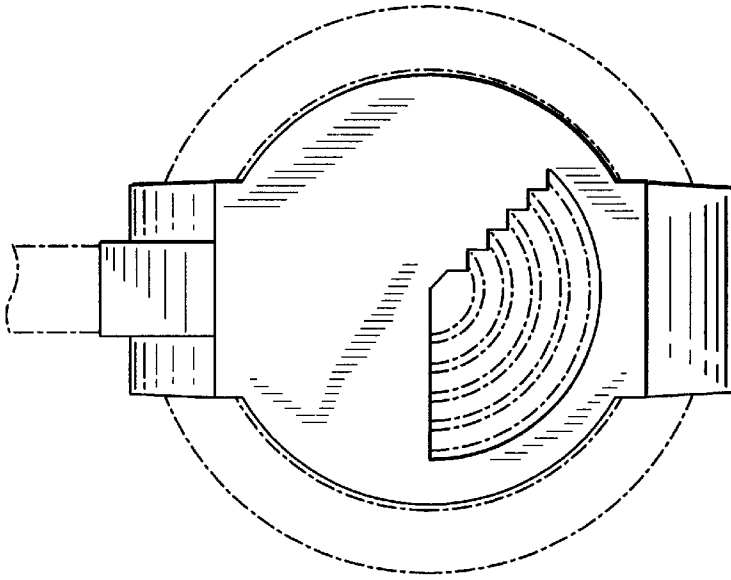


FIG. 4



FIG. 6

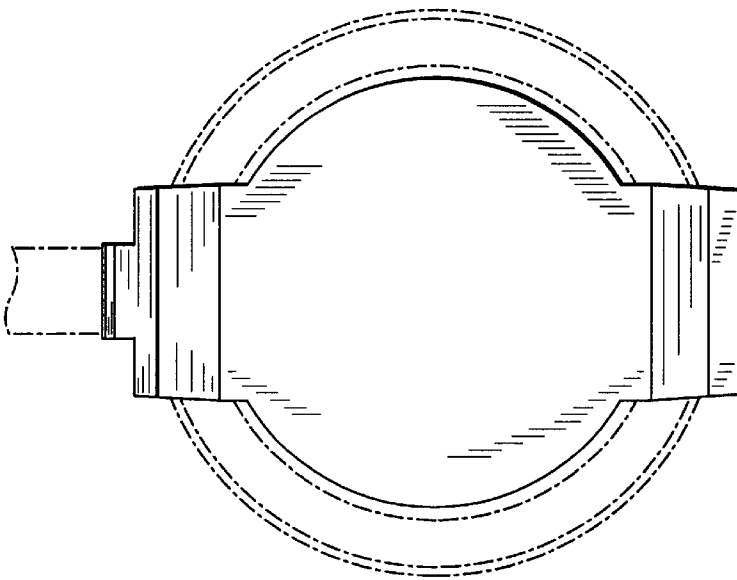


FIG. 3

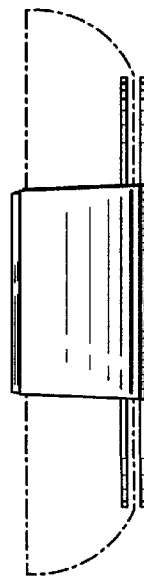


FIG. 5

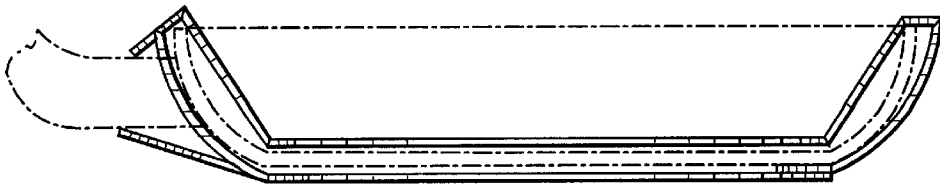


FIG. 7

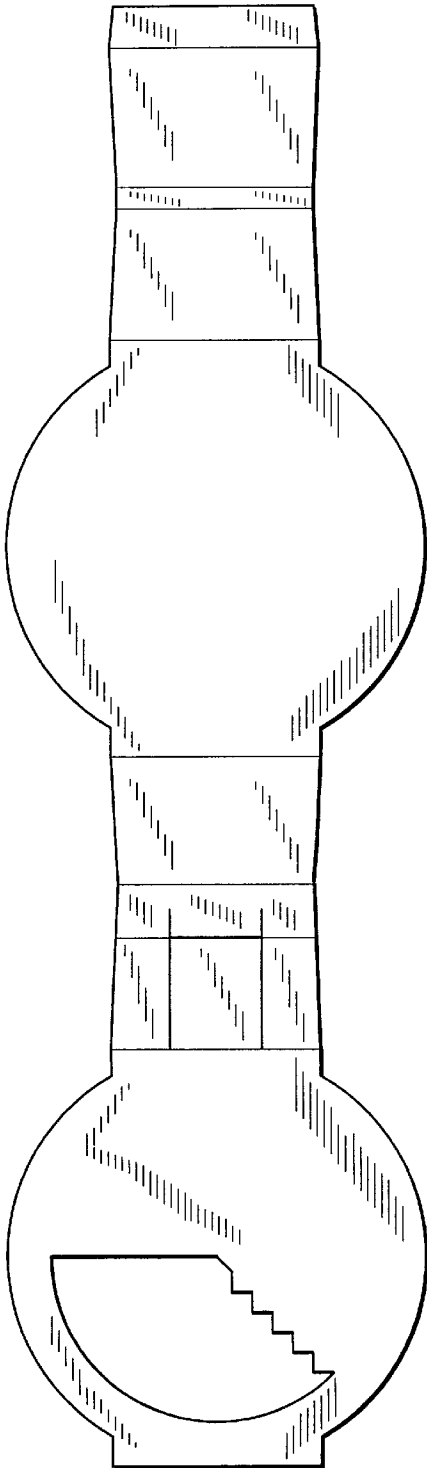


FIG. 8

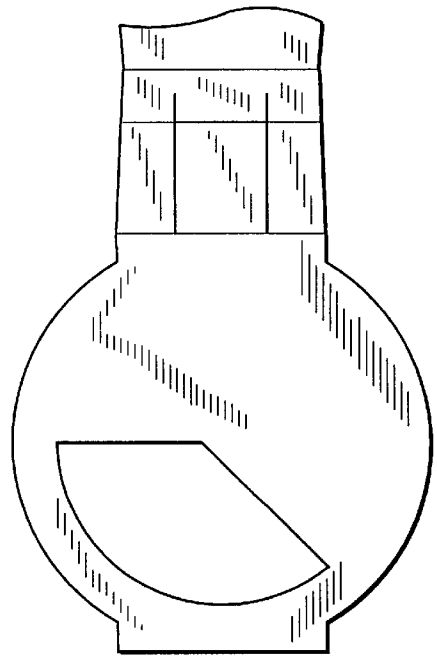


FIG. 9