



US00D346977S

# United States Patent [19]

[11] Patent Number: Des. 346,977

Fiske

[45] Date of Patent: \*\* May 17, 1994

[54] **HAND HELD METAL DETECTOR**

[76] Inventor: **Richard G. Fiske**, 6985 Ravenna, Concord Township, Lake County, Ohio 44077

[\*\*] Term: **14 Years**

[21] Appl. No.: **892,003**

[22] Filed: **Jun. 2, 1992**

[52] U.S. Cl. .... **D10/47**

[58] Field of Search ..... 340/568, 571, 572, 547, 340/573; D10/104, 106, 109, 121, 47, 46

[56] **References Cited**

**U.S. PATENT DOCUMENTS**

- D. 251,363 3/1979 Henault et al. .... D10/106
- D. 297,221 8/1988 Podhrasky ..... D10/106
- D. 331,719 12/1992 Ackerman et al. .... D10/106

*Primary Examiner*—Wallace R. Burke

*Assistant Examiner*—Marcus Jackson  
*Attorney, Agent, or Firm*—Fay, Sharpe, Beall, Fagan, Minnich & McKee

[57] **CLAIM**

The ornamental design for a hand held metal detector, as shown.

**DESCRIPTION**

FIG. 1 is a side elevational view of a hand held metal detector showing my new design, with the opposite side being a mirror image, and with the broken line showing for illustrative purpose only and forming no part of the claimed design;

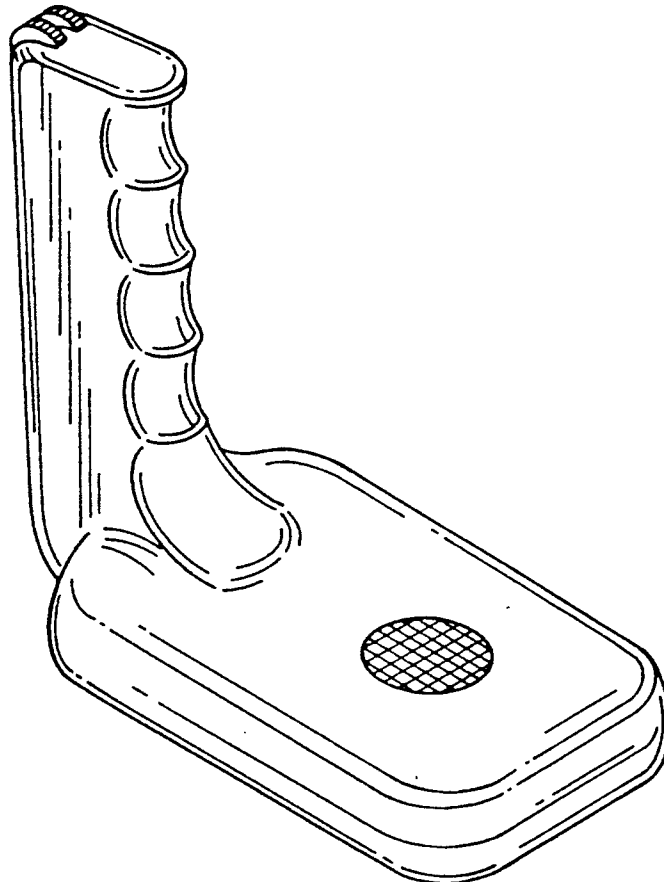
FIG. 2 is a top view;

FIG. 3 is a front view;

FIG. 4 is a back view;

FIG. 5 is a bottom view; and,

FIG. 6 is a perspective view as seen from the top, front and left side.



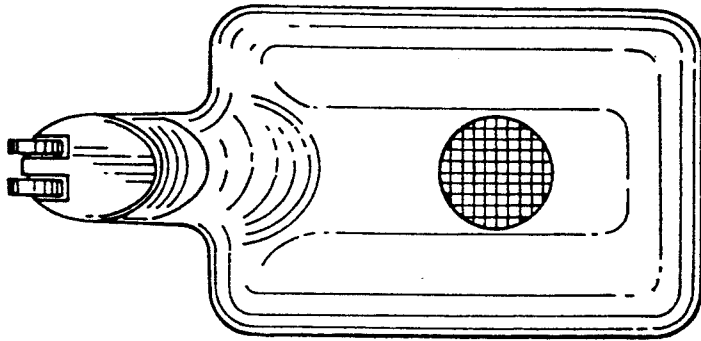


FIG. 2

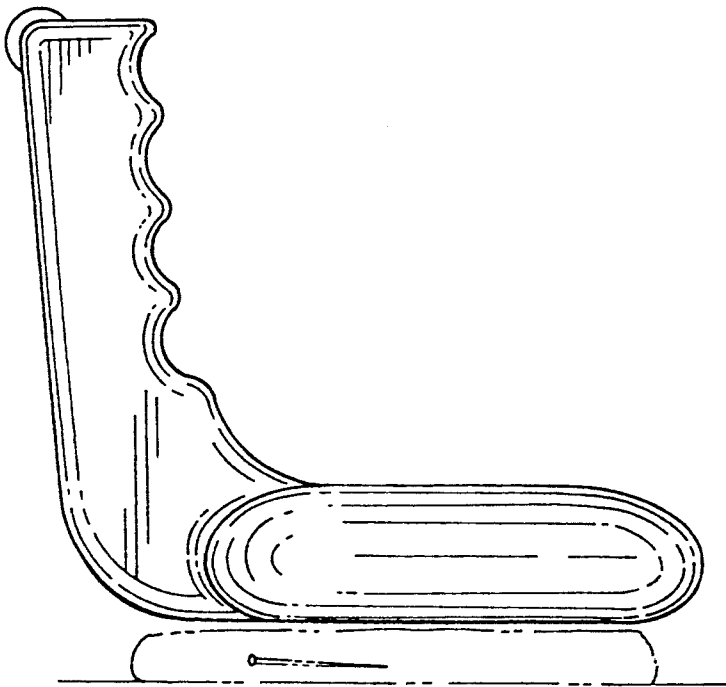


FIG. 1

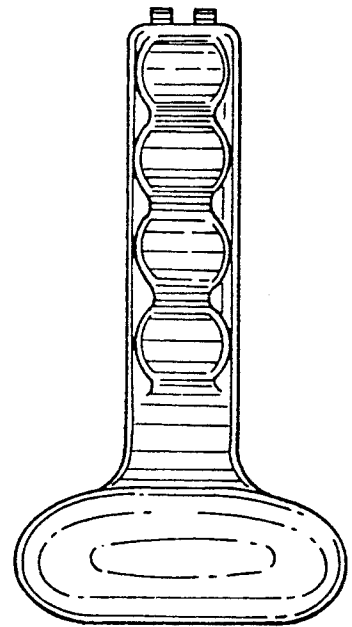


FIG. 3

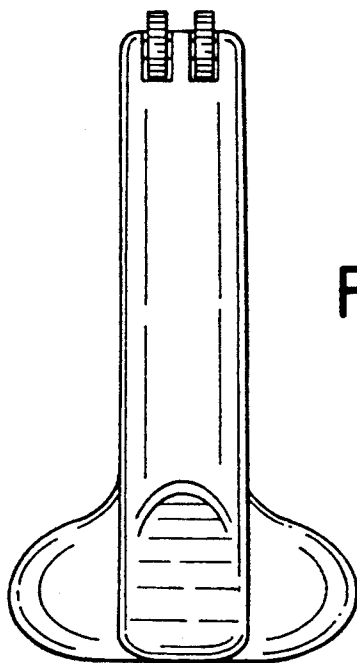


FIG. 4

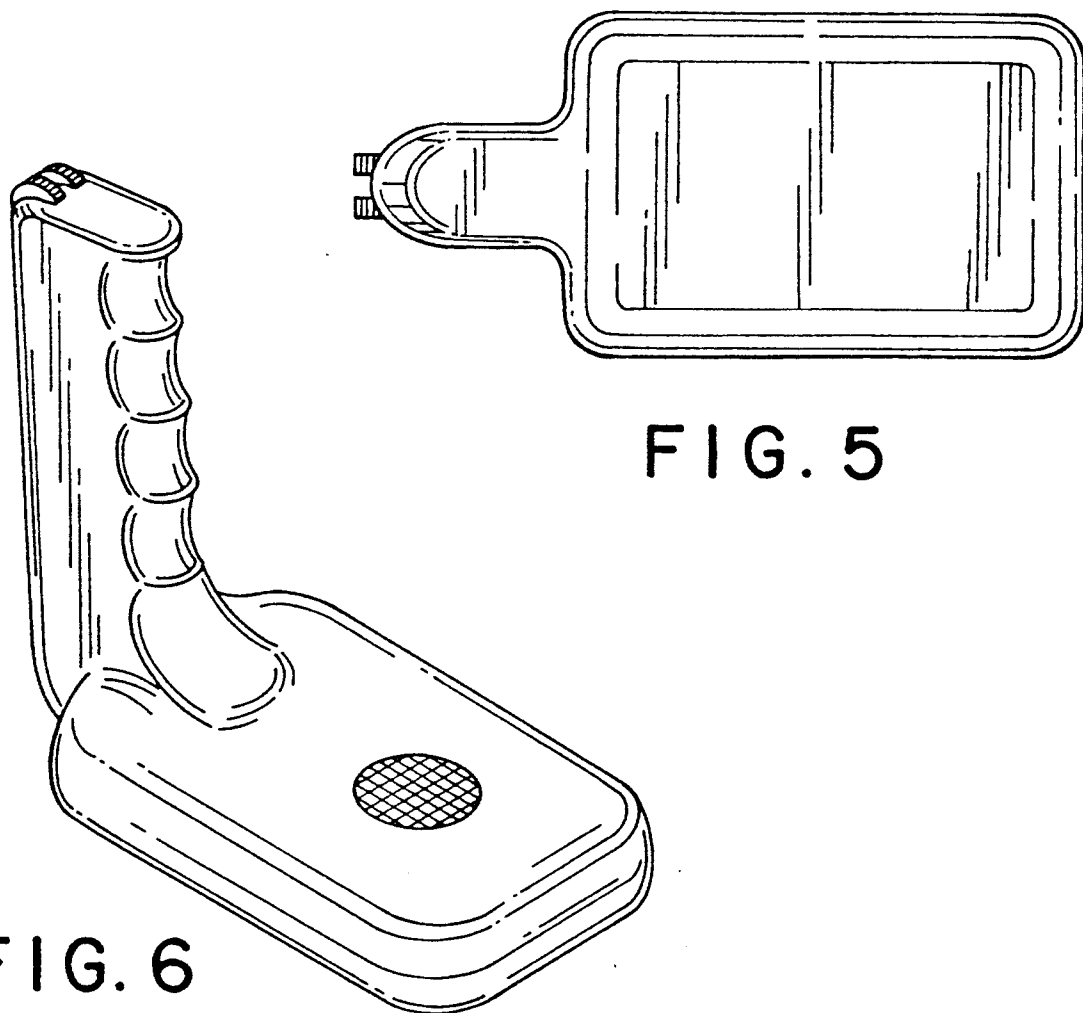


FIG. 5

FIG. 6