



US00D342658S

# United States Patent [19]

[11] Patent Number: **Des. 342,658**

Gakhar et al.

[45] Date of Patent: **\*\* Dec. 28, 1993**

[54] **FENCE GUIDE SYSTEM**

[75] Inventors: **Ved P. Gakhar; Richard A. Dossett,**  
both of Louisville, Ky.

[73] Assignee: **Vermont American Corporation,**  
Louisville, Ky.

[\*\*] Term: **14 Years**

[21] Appl. No.: **817,846**

[22] Filed: **Jan. 8, 1992**

[52] U.S. Cl. .... **D8/71**

[58] Field of Search ..... **D8/14, 71; D15/138,**  
**D15/140; 83/427, 425, 435.1, 428, 433, 434;**  
**144/134 A, 136 C, 253 R, 253 F**

[56] **References Cited**

**U.S. PATENT DOCUMENTS**

D. 248,144	6/1978	Kreitz	.....	D8/71
4,370,909	2/1983	Jennings	.....	83/435.1 X
4,603,612	8/1986	Atkins	.....	83/438 X
5,016,509	5/1991	Stottman	.....	83/437

*Primary Examiner*—Nelson G. Holtje  
*Assistant Examiner*—Antoine D. Davis

*Attorney, Agent, or Firm*—Middleton & Reutlinger

[57] **CLAIM**

The ornamental design for fence guide system, as shown and described.

**DESCRIPTION**

FIG. 1 is a front left side perspective view on a reduced scale of a fence guide system made in accordance with the present invention;

FIG. 2 is a right rear side perspective view of the fence guide system of FIG. 1 offset approximately 180 degrees from FIG. 1;

FIG. 3 is a left side view of the fence guide system of FIG. 1;

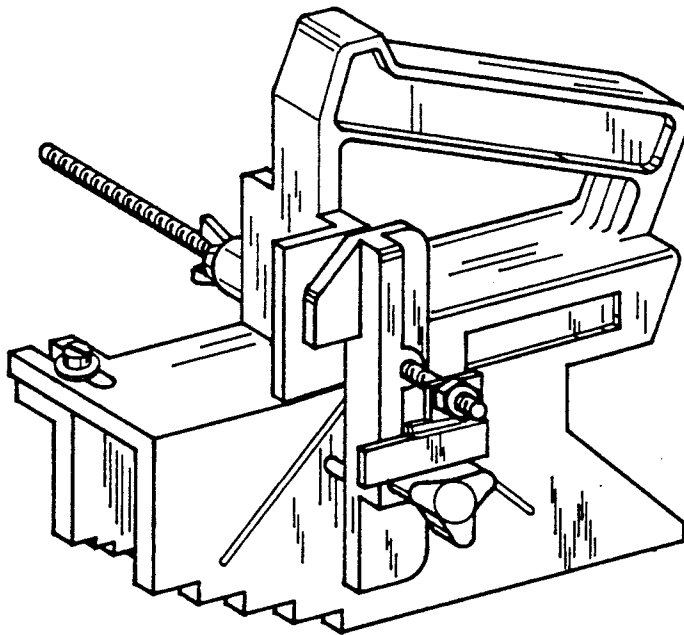
FIG. 4 is a right side view of the fence guide system of FIG. 1;

FIG. 5 is a front end view of the fence guide system of FIG. 1;

FIG. 6 is a rear end view of the fence guide system of FIG. 1;

FIG. 7 is a top view of the fence guide system of FIG. 1; and,

FIG. 8 is a bottom view of the fence guide system of FIG. 1.



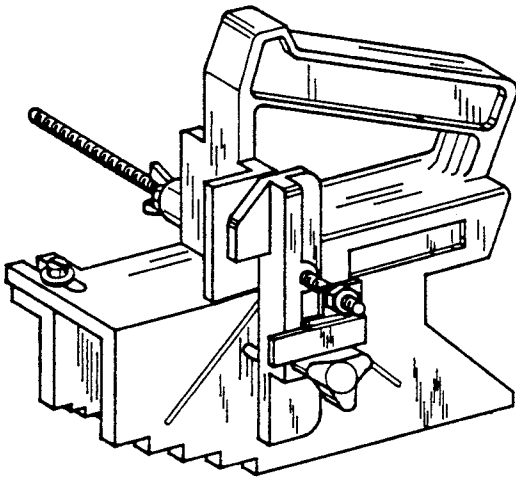


FIG. 1

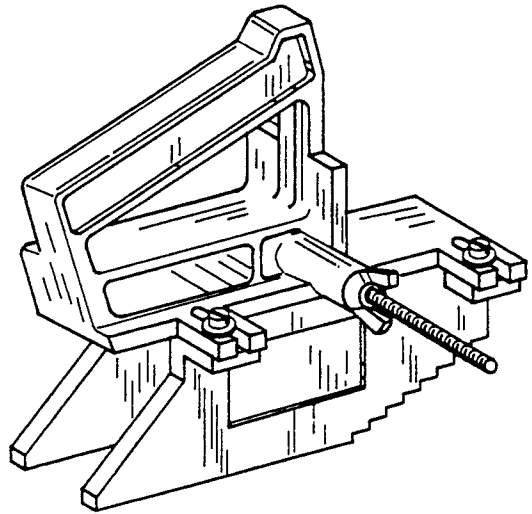


FIG. 2

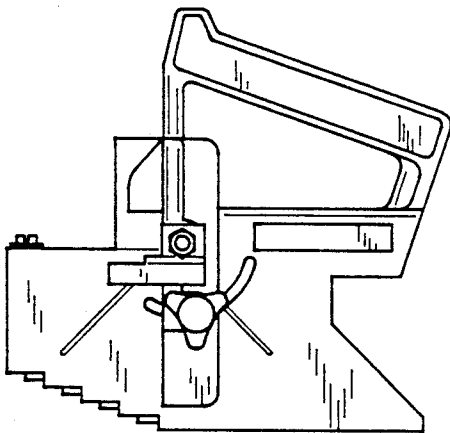


FIG. 3

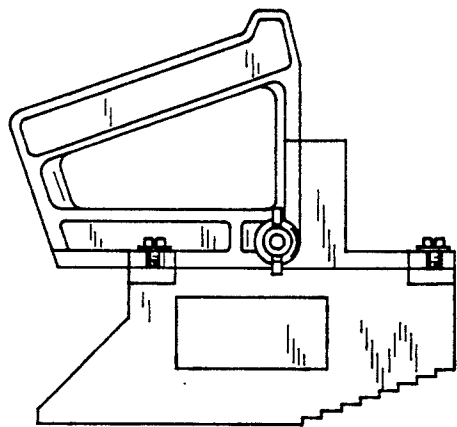


FIG. 4

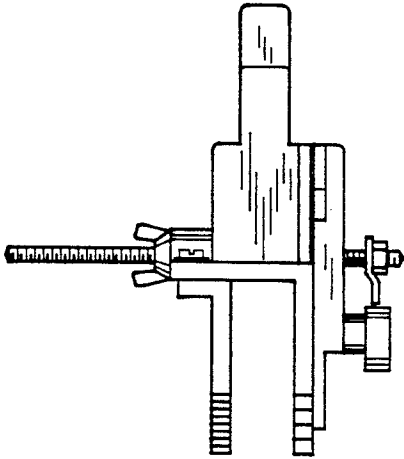


FIG. 5

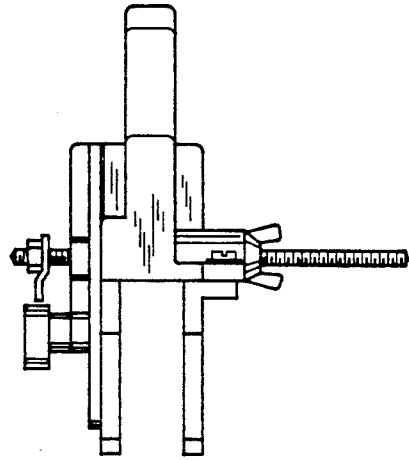


FIG. 6

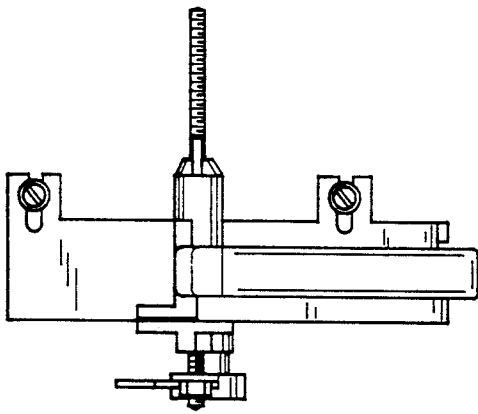


FIG. 7

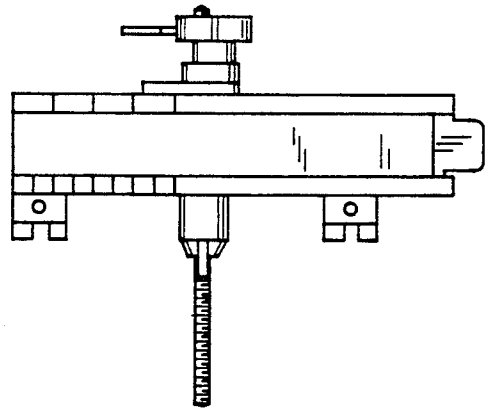


FIG. 8