



US00D394910S

United States Patent [19]
Volker

[11] **Patent Number:** **Des. 394,910**
[45] **Date of Patent:** ****Jun. 2, 1998**

[54] **CANDLE HOLDER**

[76] **Inventor:** **Fredrick Douglas Volker**, P.O. Box
649, Sadler, Tex. 76264

[**] **Term:** **14 Years**

[21] **Appl. No.:** **52,402**

[22] **Filed:** **Mar. 29, 1996**

[51] **LOC (6) Cl.** **26-01**

[52] **U.S. Cl.** **D26/9**

[58] **Field of Search** **D26/9-12, 23;**
431/288-292; 362/161-163

[56] **References Cited**

U.S. PATENT DOCUMENTS

- D. 289,105 4/1987 Sussman D7/612
- D. 313,479 1/1991 Goldberg D26/9
- D. 375,567 11/1996 Hardy D26/9

OTHER PUBLICATIONS

Gifts and Decorative Accessories, item #495, p. 116, Sep. 1971.

Primary Examiner—Alan P. Douglas
Assistant Examiner—Robin V. Taylor
Attorney, Agent, or Firm—L. Dan Tucker

[57] **CLAIM**

The ornamental design for a candle holder, as shown and described.

DESCRIPTION

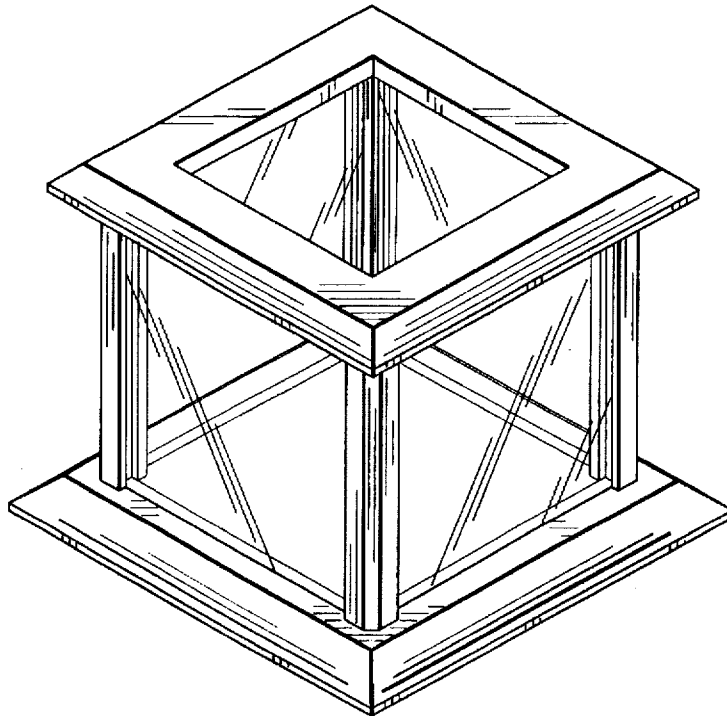
FIG. 1 is a perspective view of the candle holder showing my new design;

FIG. 2 is a side elevational view thereof, it being understood that the side elevational view of the remaining three sides will be the mirror image thereof;

FIG. 3 is a top plan view thereof; and,

FIG. 4 is a bottom plan view thereof.

1 Claim, 2 Drawing Sheets



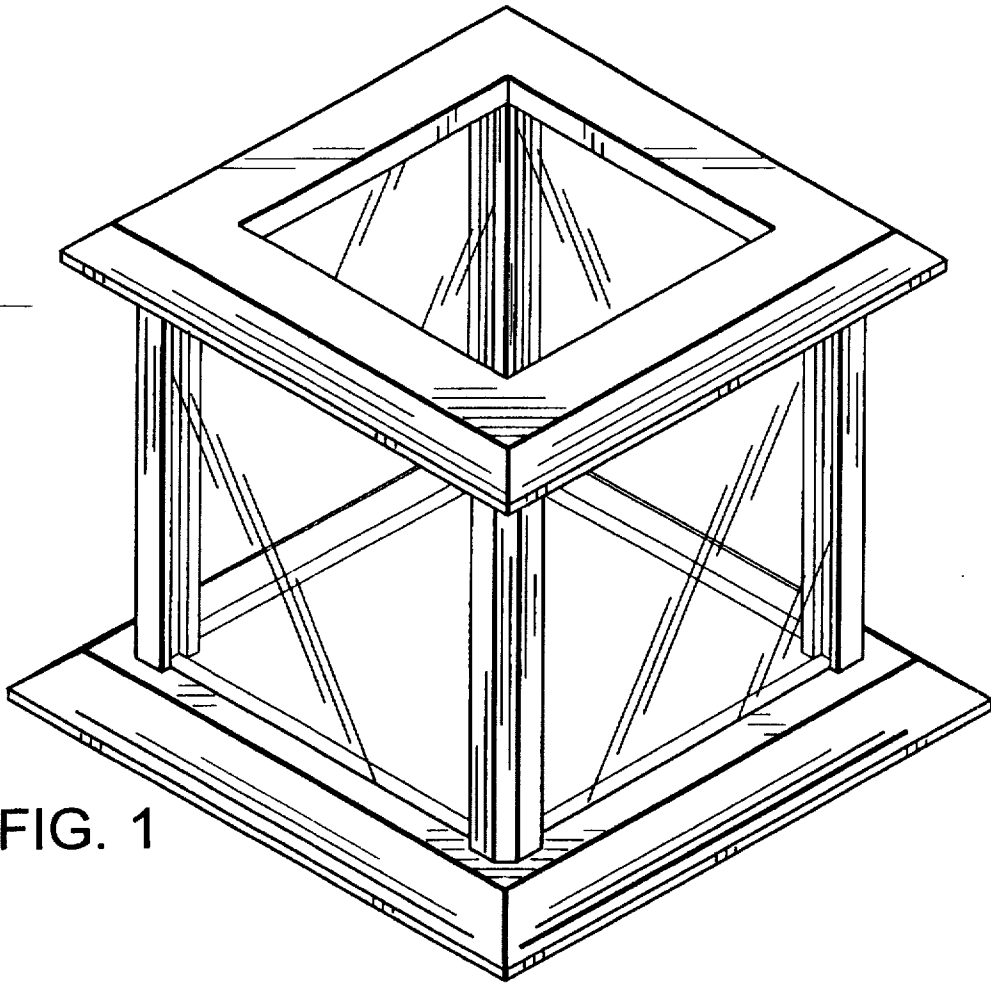


FIG. 1

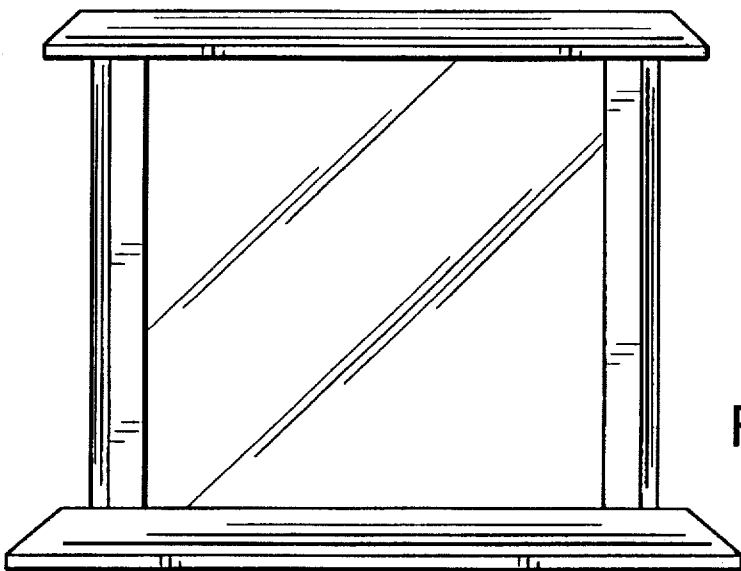


FIG. 2

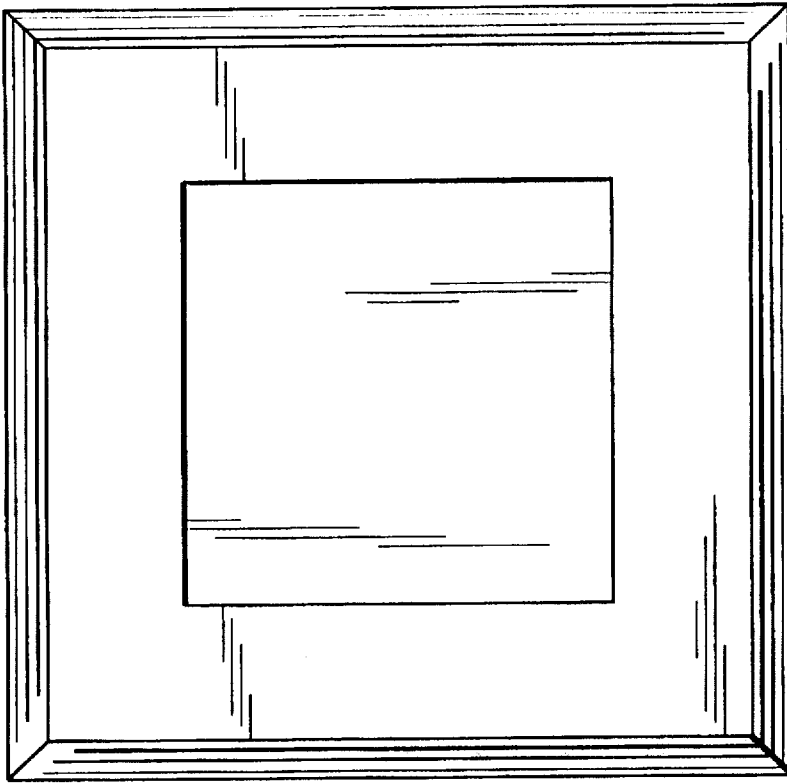


FIG. 3

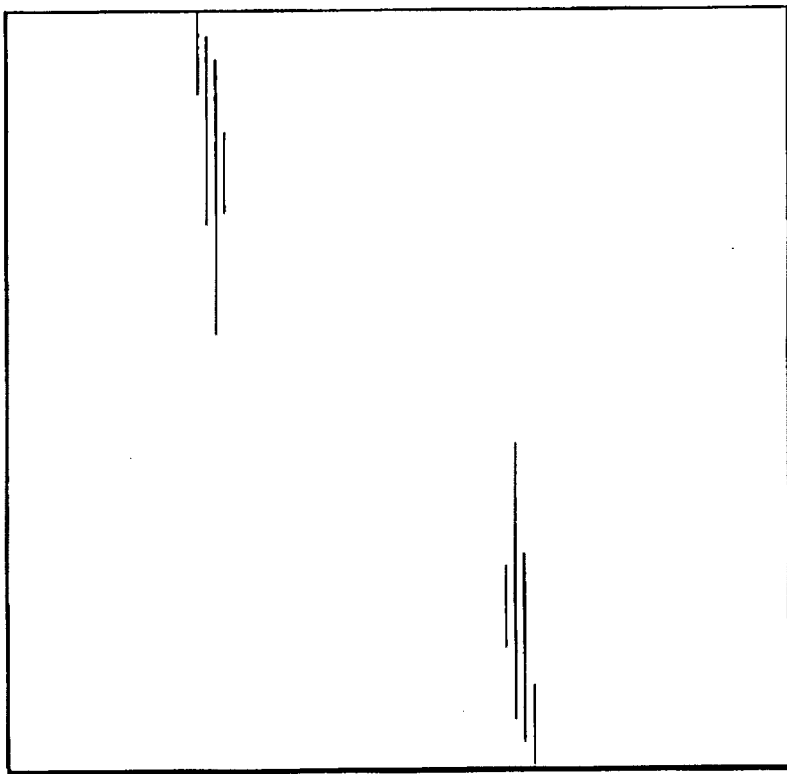


FIG. 4