



US00D359296S

# United States Patent [19]

[11] Patent Number: **Des. 359,296**

**Witherspoon**

[45] Date of Patent: **\*\* Jun. 13, 1995**

[54] SOLVENT RECOVERY SYSTEM

[56] References Cited

[75] Inventor: **Grant T. Witherspoon**, Walla Walla, Wash.

U.S. PATENT DOCUMENTS

D. 323,387 1/1992 Neumeister ..... D24/186 X

[73] Assignee: **Solvent Recovery Technology, Inc.**, Walla Walla, Wash.

*Primary Examiner*—Antoine Duval Davis  
*Attorney, Agent, or Firm*—Christensen, O'Connor, Johnson & Kindness

[\*\*] Term: **14 Years**

[57] CLAIM

The ornamental design for a solvent recovery system, as shown.

[21] Appl. No.: **22,201**

### DESCRIPTION

[22] Filed: **Apr. 29, 1994**

FIG. 1 is a perspective view of the solvent recovery system showing my new design;

FIG. 2 is a front elevational view thereof;

FIG. 3 is a back elevational view thereof;

FIG. 4 is a side elevational view of one side thereof;

FIG. 5 is a top view thereof;

FIG. 6 is a side elevational view of another side thereof; and,

FIG. 7 is a bottom view thereof.

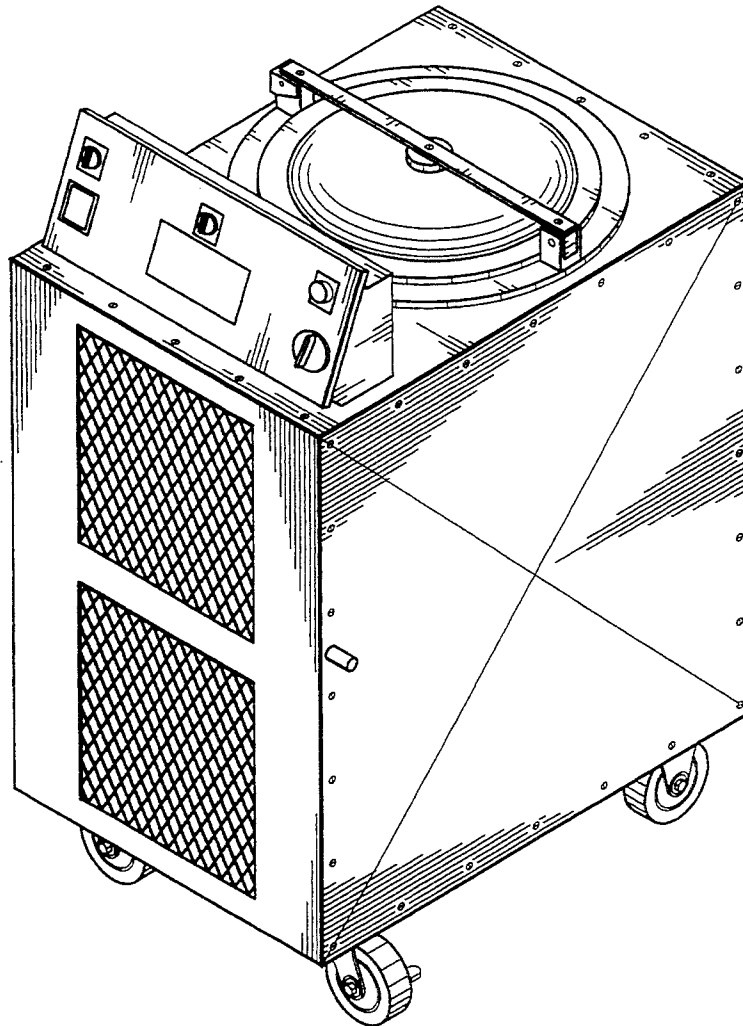
[52] U.S. Cl. .... **D15/199**

[58] Field of Search ..... D10/46, 75, 81;

D15/199; D24/231, 232, 185, 186; 62/85, 77,

292, 475; 210/490, 500.25, 500.83, 640, 653,

638, 768, 771



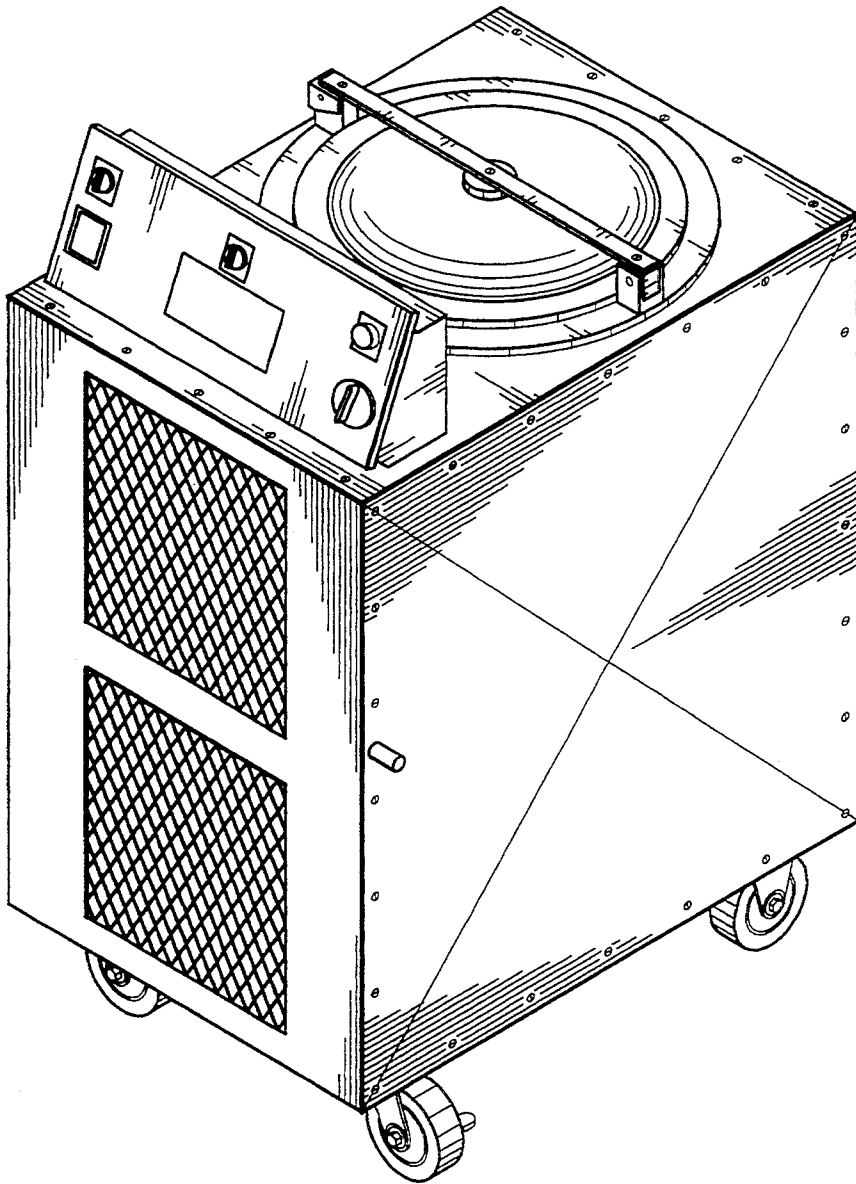


FIG. 1.

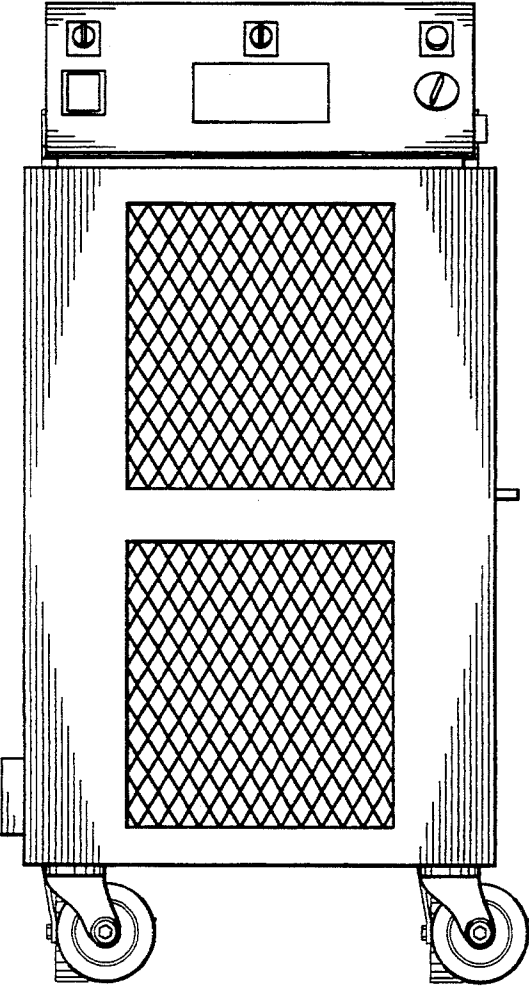


FIG. 2.

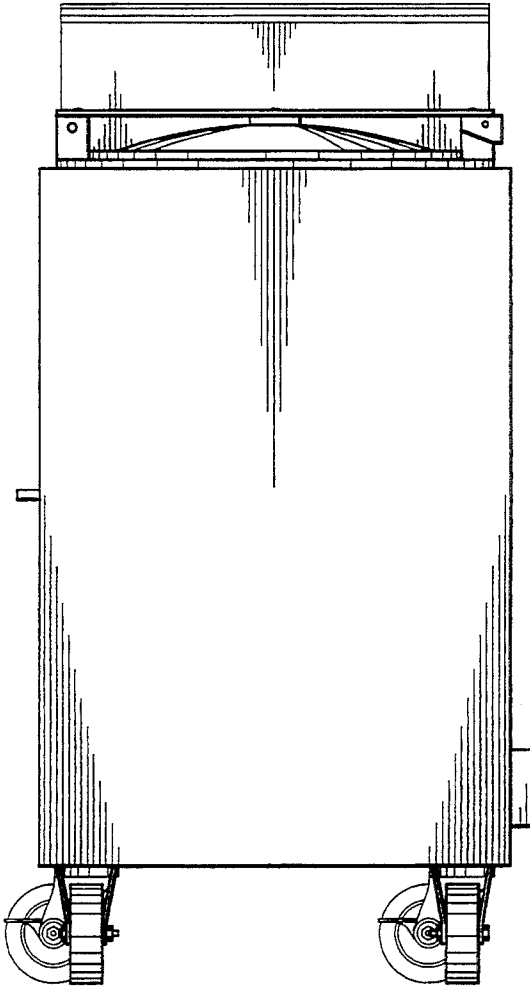


FIG. 3.

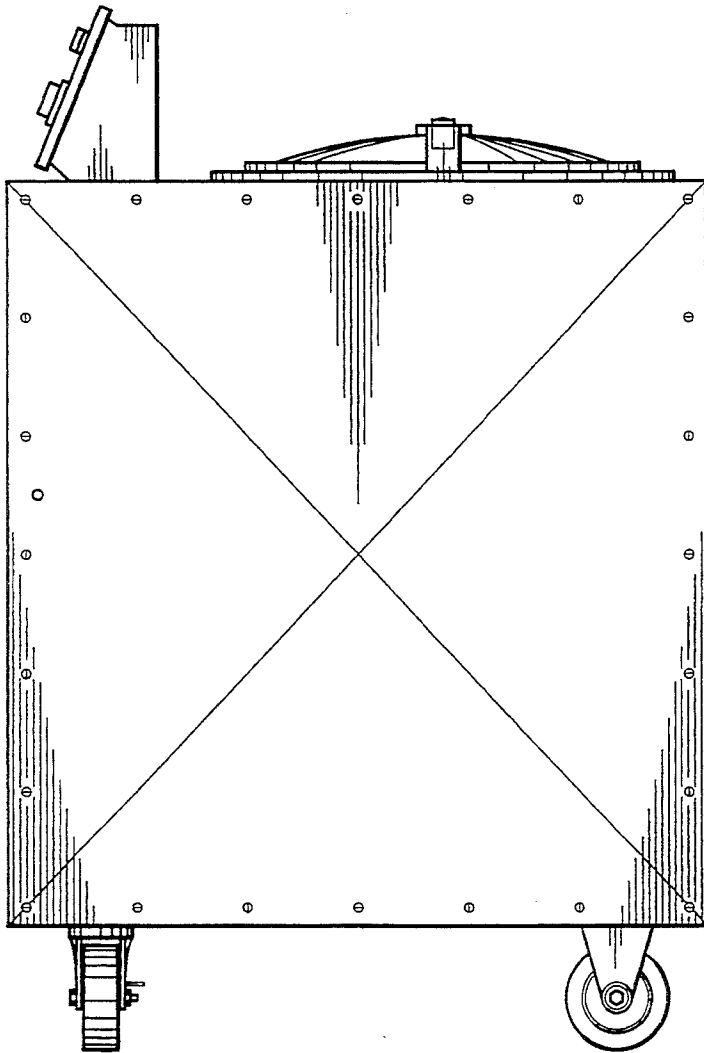


FIG. 4.

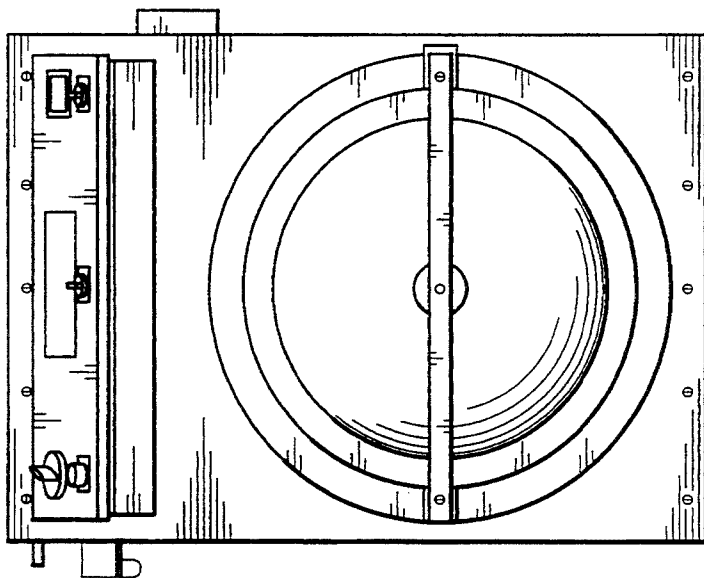


FIG. 5.

FIG. 6.

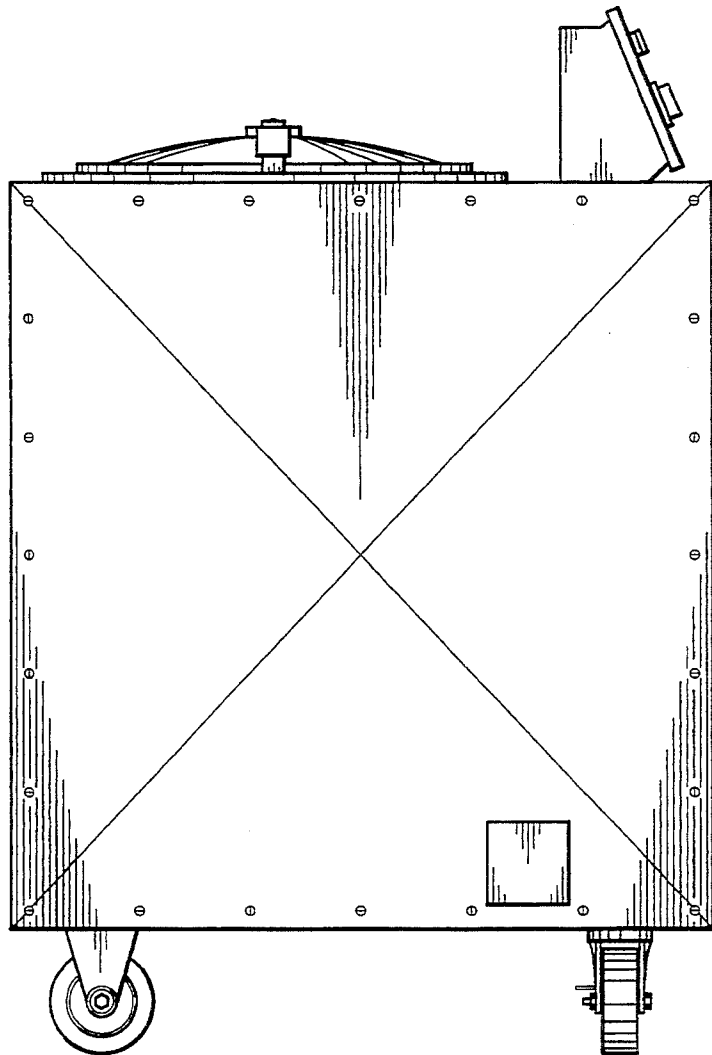


FIG. 7.

