



US0D1083286S

(12) **United States Design Patent**  
**McCuiestion**

(10) **Patent No.:** **US D1,083,286 S**

(45) **Date of Patent:** **\*\* Jul. 8, 2025**

(54) **COLLAPSIBLE ANTI-THEFT BOX**

(71) Applicant: **Wesly M. McCuiestion**, Winchester, CA (US)

(72) Inventor: **Wesly M. McCuiestion**, Winchester, CA (US)

(\*\*) Term: **15 Years**

(21) Appl. No.: **29/903,786**

(22) Filed: **Sep. 27, 2023**

(51) **LOC (15) Cl.** ..... **99-00**

(52) **U.S. Cl.**  
USPC ..... **D99/28**

(58) **Field of Classification Search**

USPC .... D99/28, 34, 35, 36, 43, 99; D3/900, 901, D3/902, 903, 905, 201, 272, 273; D18/3.1, 3.3, 12.1  
CPC ..... A45C 1/12; A45C 2001/125; A45C 2001/102; A45C 2001/104; A45C 2001/006; A45C 2001/003; A45C 2001/105; A45C 2001/107; E05G 1/00; E05G 1/005; E05G 1/024; E05G 1/026; E05G 5/00; E05G 7/00; E05G 7/001; E05G 2700/00; E05G 2700/02; B63C 7/30; G07D 9/00; G07D 9/002; G07D 9/004; G07D 9/006; G07D 9/008; G07D 9/02; G07D 9/04; G07D 9/06; G07D 9/065; G07D 11/00; G07D 11/0021; G07D 13/00; G07D 2201/00; G07D 2211/00; G07F 9/06; G07F 9/08  
See application file for complete search history.

(56) **References Cited**

**U.S. PATENT DOCUMENTS**

806,768 A \* 12/1905 Bauer ..... E05B 65/006 70/168  
3,342,407 A \* 9/1967 Riegraf ..... A45C 1/12 232/4 R

3,836,173 A 9/1974 Schwaiger  
D266,199 S \* 9/1982 Schattner ..... D99/28  
4,462,317 A \* 7/1984 Franko ..... E05B 73/00 109/45  
D277,803 S \* 2/1985 Franko ..... D99/28  
5,209,086 A 5/1993 Bruhwiler  
D338,392 S 8/1993 McKernan  
5,263,344 A 11/1993 Madison  
5,760,689 A \* 6/1998 Holmgren ..... A47F 3/002 70/57.1  
5,845,521 A 12/1998 Najera  
6,131,424 A 10/2000 Dixon  
6,151,933 A \* 11/2000 Lentini ..... E05B 7/00 70/159  
6,732,556 B1 5/2004 Russell  
D492,573 S 7/2004 Karamanos et al.  
D528,164 S \* 9/2006 Orcutt ..... D99/28

(Continued)

*Primary Examiner* — Elizabeth J Oswecki

(74) *Attorney, Agent, or Firm* — Kirk A. Buhler; Buhler & Associates Patenting

(57) **CLAIM**

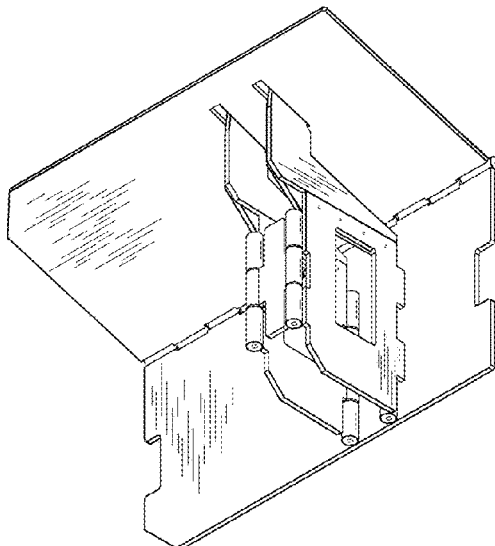
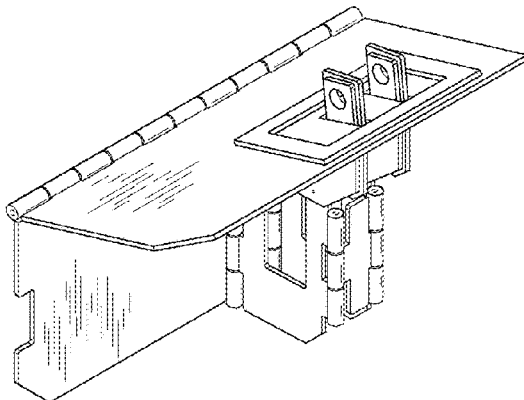
The ornamental design for a collapsible anti-theft box, as shown and described.

**DESCRIPTION**

FIG. 1 is a top plan view of a collapsible anti-theft box showing my new design;  
FIG. 2 is a front elevation view thereof;  
FIG. 3 is a bottom plan view thereof;  
FIG. 4 is a rear elevation view thereof;  
FIG. 5 is a left side elevation view thereof;  
FIG. 6 is a right side elevation view thereof;  
FIG. 7 is a top left perspective view thereof;  
FIG. 8 is a bottom right perspective view thereof; and,  
FIG. 9 is another top, left perspective view thereof, shown in a folded position.

The broken lines in FIGS. 2, 3 and 5-9 are for illustrative purposes only and form no part of the claimed design.

**1 Claim, 5 Drawing Sheets**



(56)

**References Cited**

U.S. PATENT DOCUMENTS

7,194,880	B2 *	3/2007	Necchi .....	E05B 73/0023
				70/57.1
D540,149	S	4/2007	Tollefson	
7,339,473	B2	3/2008	Lucas	
7,394,369	B2 *	7/2008	Horngren .....	G08B 13/06
				340/568.1
D582,255	S	12/2008	Turpault et al.	
7,526,931	B2	5/2009	Burdett et al.	
7,793,526	B1	9/2010	Coggins	
7,870,766	B2	1/2011	Sedon et al.	
D637,471	S	5/2011	Roy	
7,963,131	B2	6/2011	Zhang et al.	
D688,024	S *	8/2013	Metlen .....	D99/28
9,328,538	B2 *	5/2016	Conti .....	E05B 73/0058
D799,149	S *	10/2017	Chafetz .....	D99/28
D949,086	S *	4/2022	Reid .....	D12/423
D984,777	S *	4/2023	King .....	D99/28
D990,090	S *	6/2023	Lu .....	D99/28
D1,037,828	S *	8/2024	Enger .....	D13/156
D1,048,645	S *	10/2024	Liu .....	D99/28
2013/0186211	A1 *	7/2013	Kaufmann .....	G01S 15/931
				73/866.5

\* cited by examiner

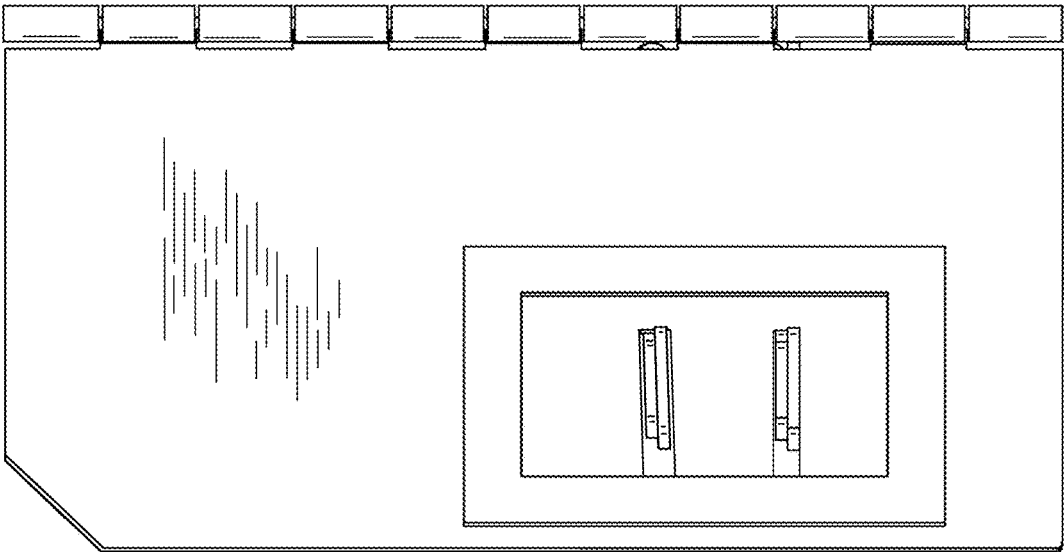


FIG. 1

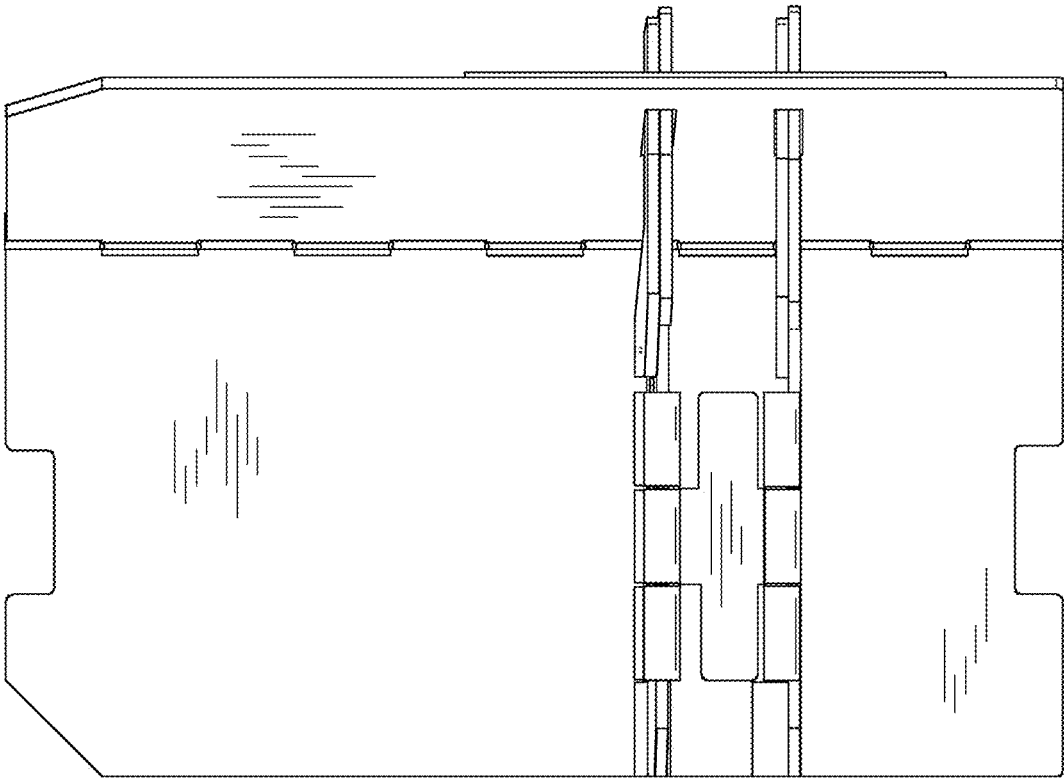
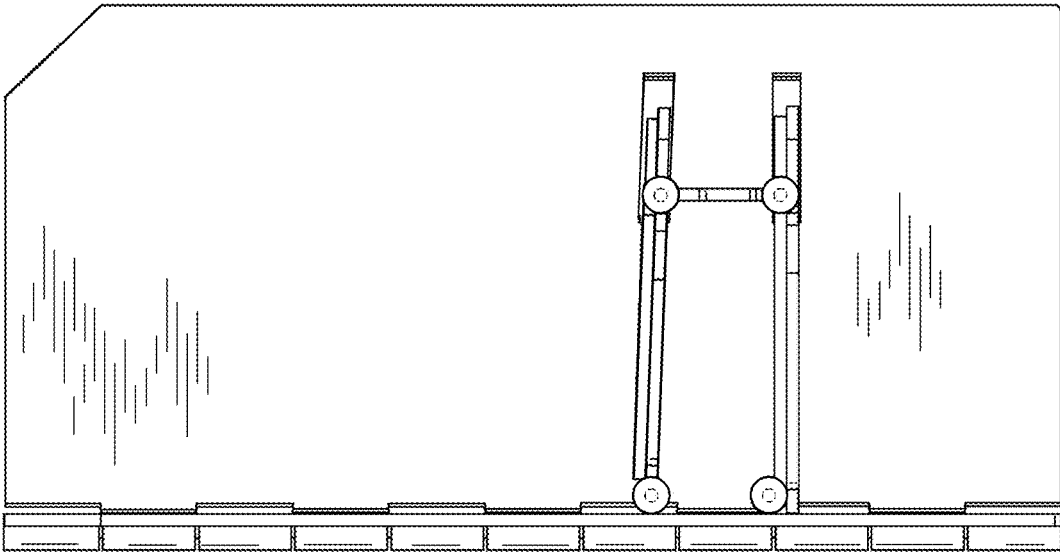
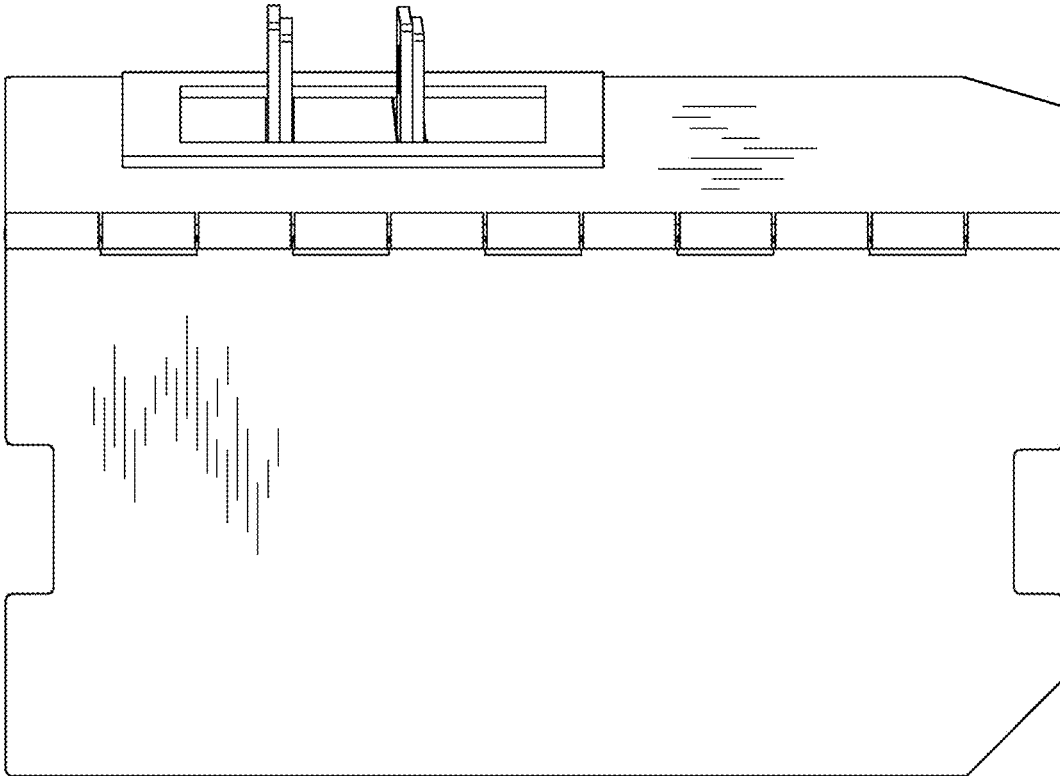


FIG. 2



**FIG. 3**



**FIG. 4**

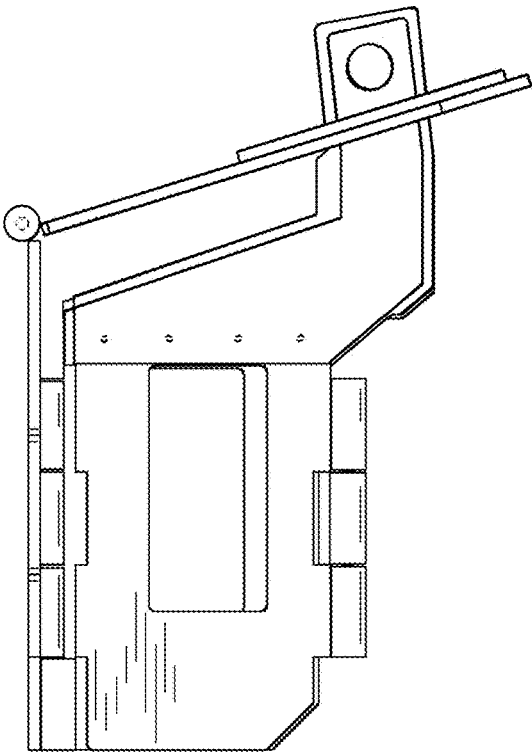


FIG. 5

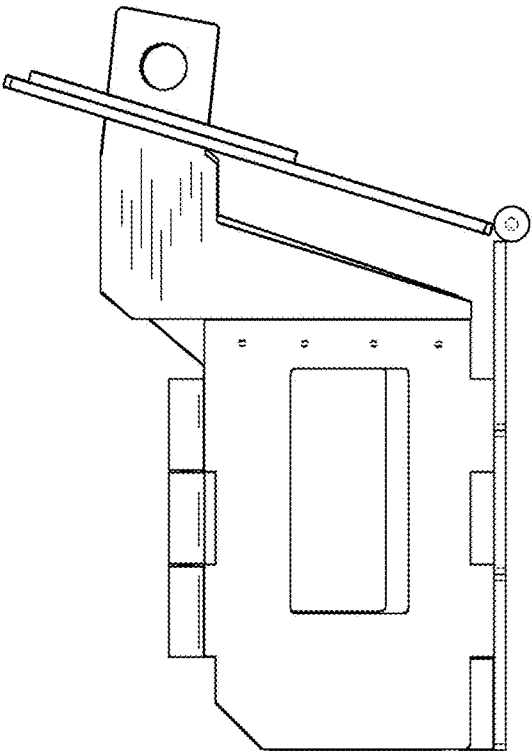
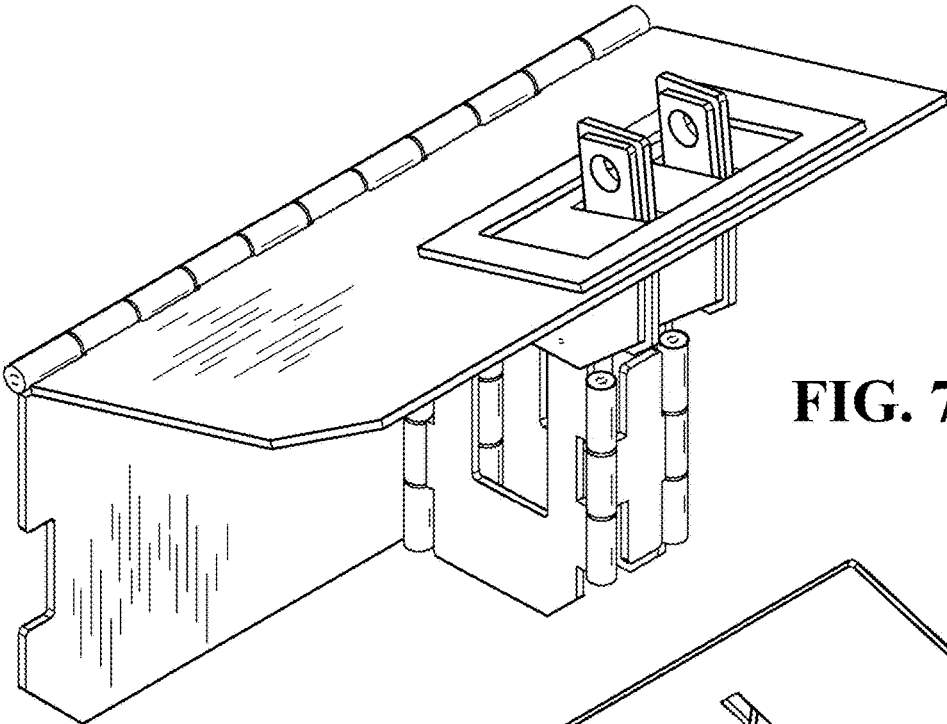
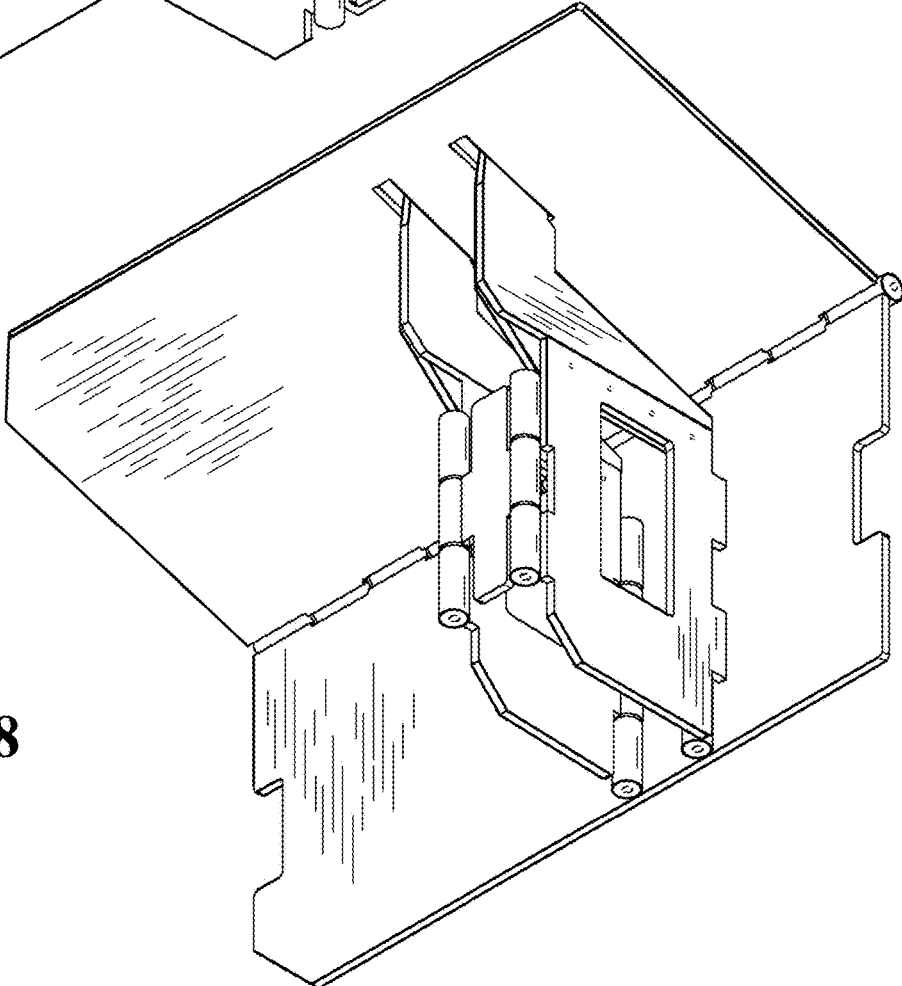


FIG. 6



**FIG. 7**



**FIG. 8**

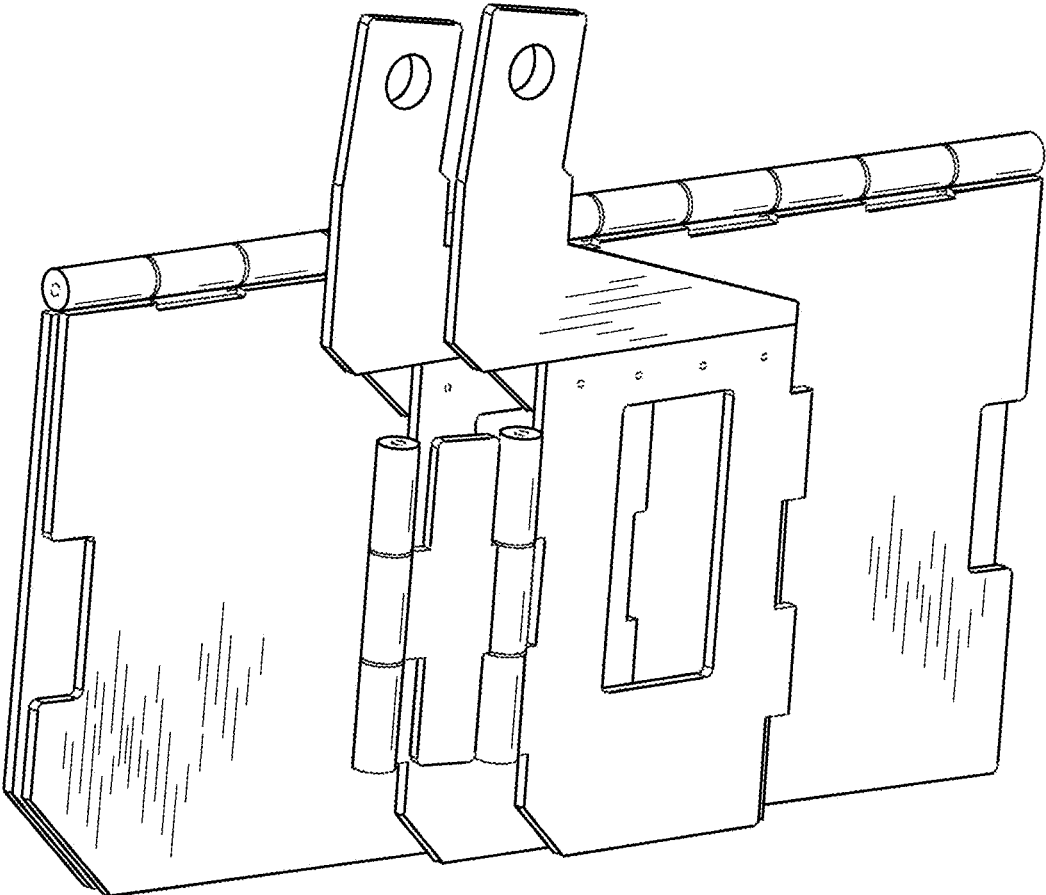


FIG. 9