



US00D569012S

(12) **United States Design Patent** (10) **Patent No.:** **US D569,012 S**
Ellis (45) **Date of Patent:** **** May 13, 2008**

(54) **CEILING AND WALL DECORATIVE PANEL**

Primary Examiner—Catherine R Oliver
(74) *Attorney, Agent, or Firm*—Vladimir Khiterer

(76) Inventor: **Robert Ellis**, 9000 Clifton Way, #3,
Beverly Hills, CA (US) 90211

(57) **CLAIM**

(**) Term: **14 Years**

The ornamental design for a ceiling and wall decorative panel, as shown and described.

(21) Appl. No.: **29/262,476**

(22) Filed: **Jul. 5, 2006**

DESCRIPTION

(51) **LOC (8) Cl.** **25-01**

FIG. 1 is a top plan view of a ceiling and wall decorative panel. The appearance of the bottom and sides forms no part of the claimed design.

(52) **U.S. Cl.** **D25/138**

(58) **Field of Classification Search** D25/138,
D25/152, 163, 156–160, 100–101, 38–40,
D25/12, 119; D3/306; 52/314, 316, 791.1,
52/660, 664, 669, 342–343, 311.2, 389, 384,
52/674; 428/48–49, 106

FIG. 2 is a top plan view of a cut-out portion of a bottom right corner thereof, wherein top plan views of cut-out bottom left, upper right and upper left corners thereof are mirror images of the top plan view of the cut-out bottom right corner thereof. The broken line is to indicate a cut-out only and forms no part of the claimed design.

See application file for complete search history.

FIG. 3 is a perspective view of a cut-out portion of a bottom right corner thereof, wherein perspective views of cut-out bottom left, upper right and upper left corners thereof are mirror images of the perspective view of the cut-out bottom right corner thereof. The broken line is to indicate a cut-out only and forms no part of the claimed design; and,

(56) **References Cited**

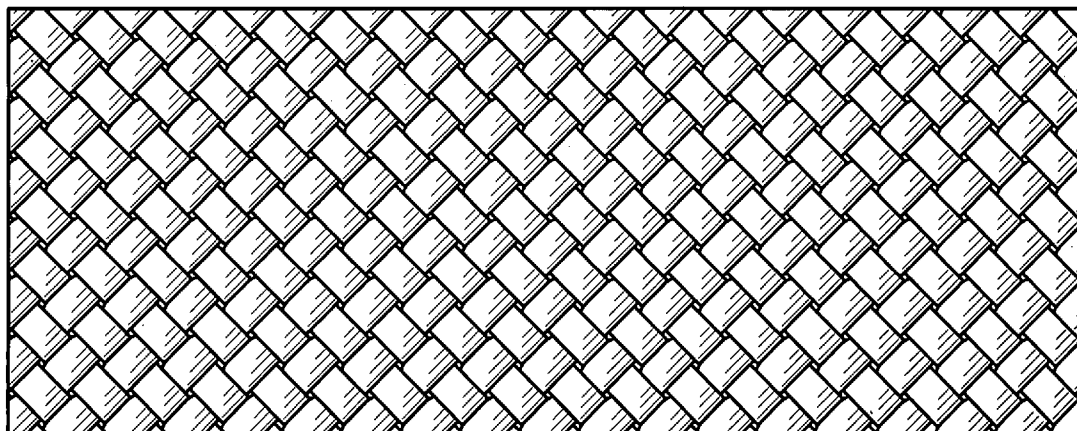
U.S. PATENT DOCUMENTS

2,373,738	A	*	4/1945	Atwood	428/106
D195,646	S	*	7/1963	Hirashiki	D25/156
3,112,533	A	*	12/1963	Hauer	52/674
D371,447	S	*	7/1996	Williams	D25/152
D469,883	S	*	2/2003	Panek et al.	D25/100
D486,251	S		2/2004	Jaeger		
D538,446	S	*	3/2007	Murdock	D25/119
D552,758	S	*	10/2007	Murdock	D25/121

FIG. 4 is a front elevational view of a plurality of the ceiling and wall decorative panels according to this invention. The broken lines are to illustrate an environment only and form no part of the claimed design.

* cited by examiner

1 Claim, 4 Drawing Sheets



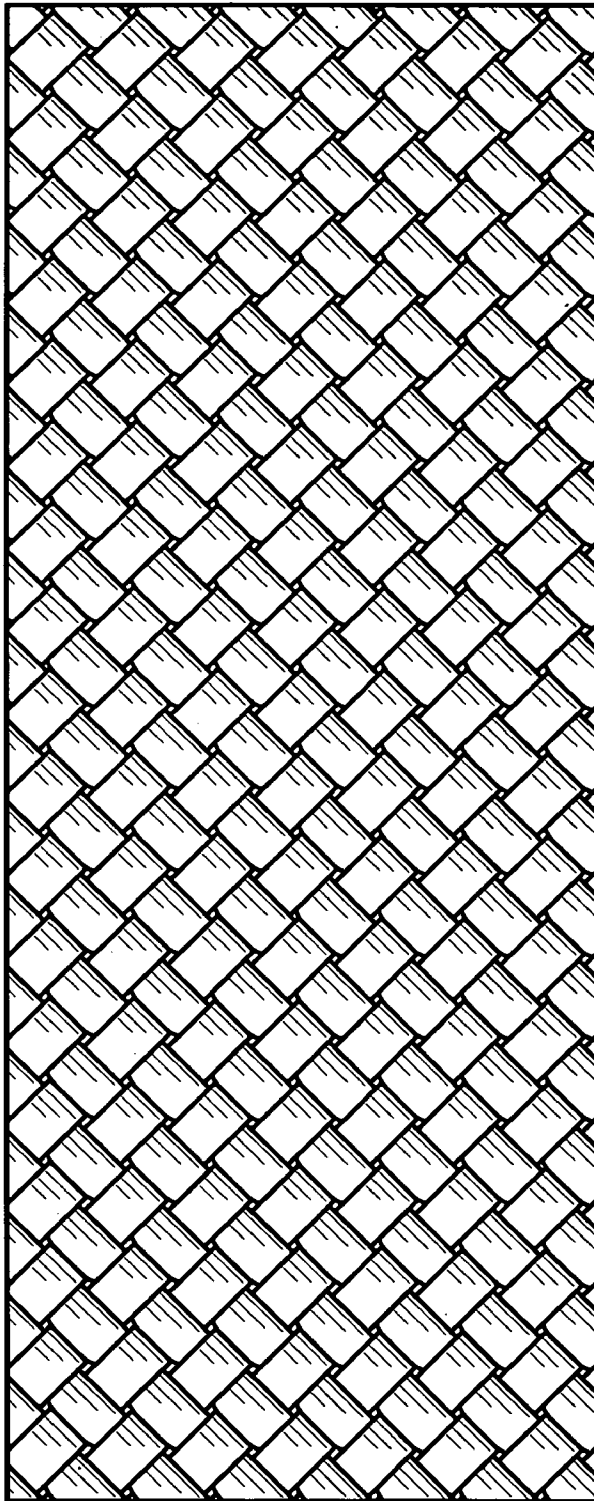


FIG. 1

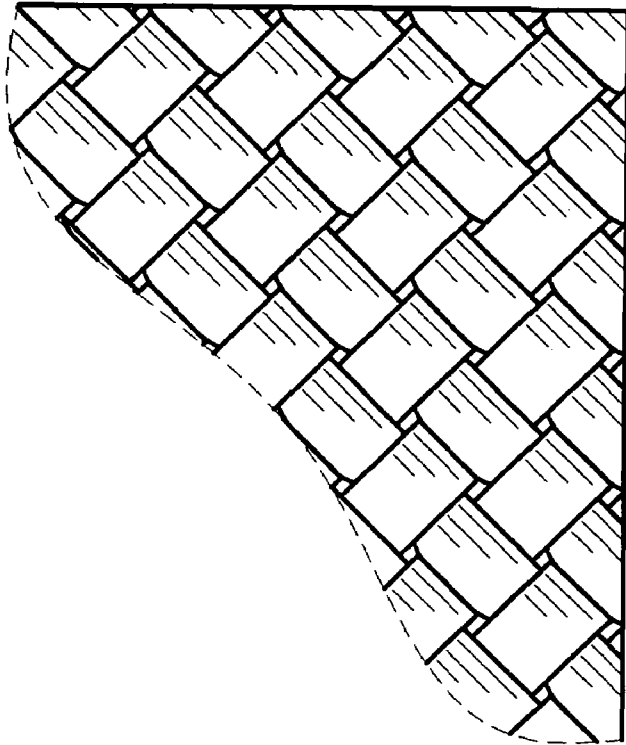


FIG. 2

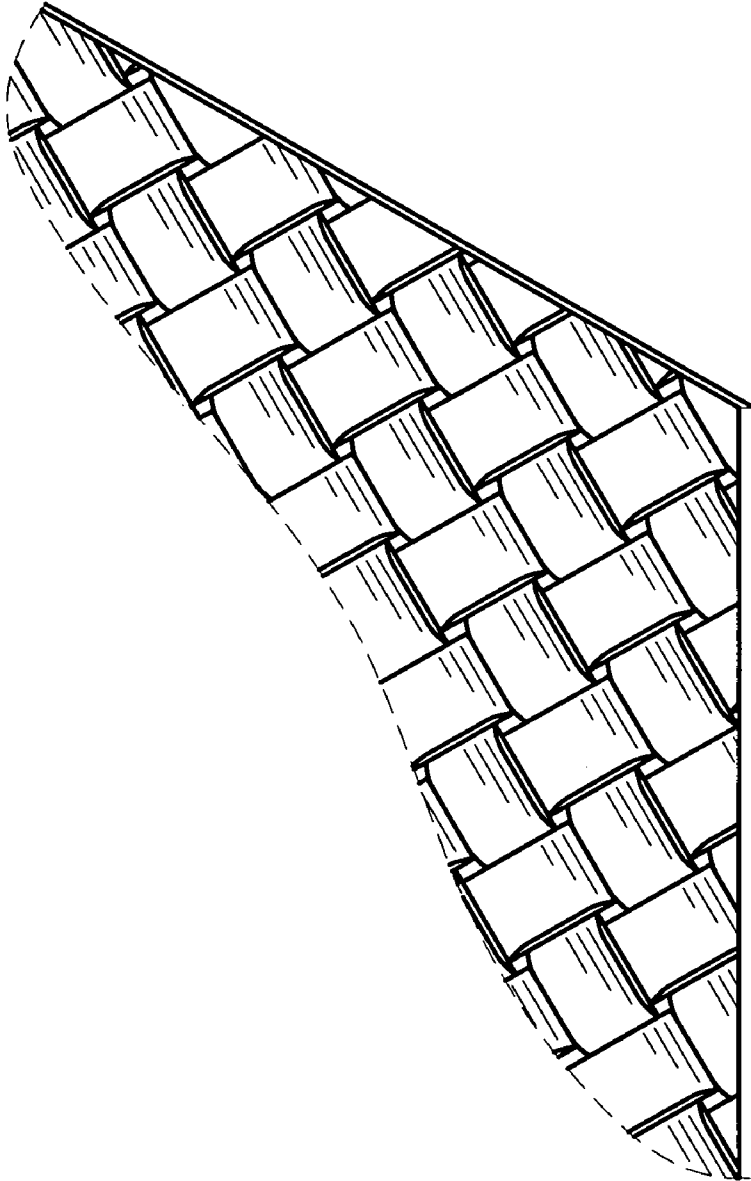


FIG. 3

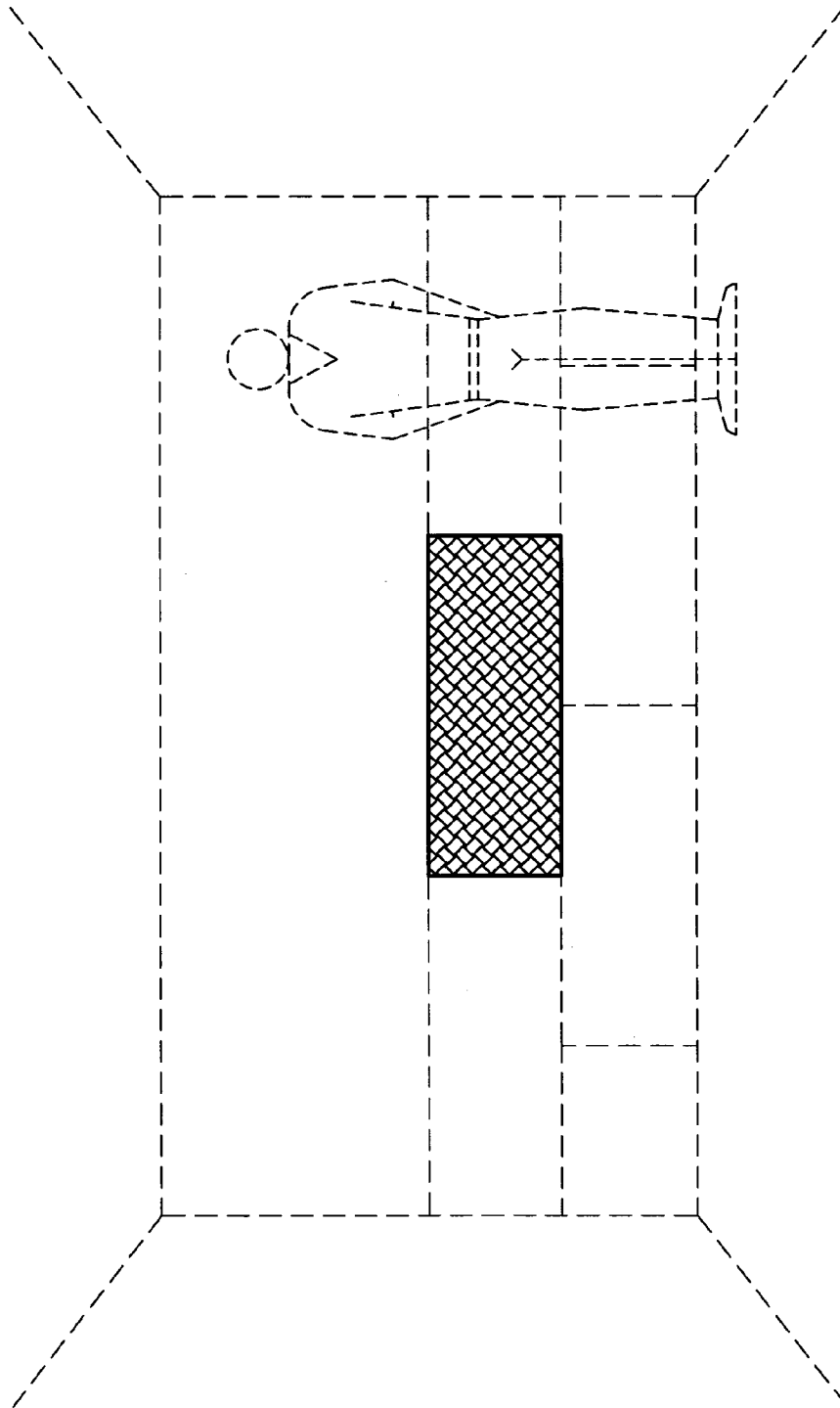


FIG. 4