

(19) World Intellectual Property Organization
International Bureau



(43) International Publication Date
23 August 2007 (23.08.2007)

PCT

(10) International Publication Number
WO 2007/093957 A3

(51) International Patent Classification:
A61B 17/34 (2006.01) A61M 39/06 (2006.01)

GB, GD, GE, GH, GM, GT, HN, HR, HU, ID, IL, IN, IS, JP, KE, KG, KM, KN, KP, KR, KZ, LA, LC, LK, LR, LS, LT, LU, LV, LY, MA, MD, MG, MK, MN, MW, MX, MY, MZ, NA, NG, NI, NO, NZ, OM, PG, PH, PL, PT, RO, RS, RU, SC, SD, SE, SG, SK, SL, SM, SV, SY, TJ, TM, TN, TR, TT, TZ, UA, UG, US, UZ, VC, VN, ZA, ZM, ZW.

(21) International Application Number:
PCT/IB2007/050464

(22) International Filing Date:
13 February 2007 (13.02.2007)

(84) Designated States (unless otherwise indicated, for every kind of regional protection available): ARIPO (BW, GH, GM, KE, LS, MW, MZ, NA, SD, SL, SZ, TZ, UG, ZM, ZW), Eurasian (AM, AZ, BY, KG, KZ, MD, RU, TJ, TM), European (AT, BE, BG, CH, CY, CZ, DE, DK, EE, ES, FI, FR, GB, GR, HU, IE, IS, IT, LT, LU, LV, MC, NL, PL, PT, RO, SE, SI, SK, TR), OAPI (BF, BJ, CF, CG, CI, CM, GA, GN, GQ, GW, ML, MR, NE, SN, TD, TG).

(25) Filing Language: English

(26) Publication Language: English

(30) Priority Data:
2006/01433 17 February 2006 (17.02.2006) ZA

Declarations under Rule 4.17:
— as to the identity of the inventor (Rule 4.17(i))
— of inventorship (Rule 4.17(iv))

(71) Applicant and
(72) Inventor: RÖSCH, Theodor, Gerhard [ZA/ZA]; 45 Tsessebe Lane, 0181 Monument Park (ZA).

Published:
— with international search report

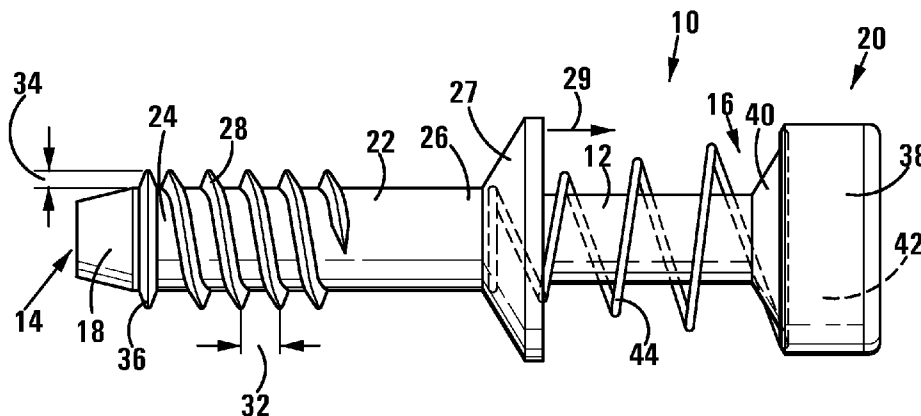
(74) Agents: FORBES, Craig, Paul et al.; Adams & Adams, Adams & Adams Place, 1140 Prospect Street, Hatfield, PO Box 1014, 0001 Pretoria (ZA).

(88) Date of publication of the international search report:
22 November 2007

(81) Designated States (unless otherwise indicated, for every kind of national protection available): AE, AG, AL, AM, AT, AU, AZ, BA, BB, BG, BR, BW, BY, BZ, CA, CH, CN, CO, CR, CU, CZ, DE, DK, DM, DZ, EC, EE, EG, ES, FI,

For two-letter codes and other abbreviations, refer to the "Guidance Notes on Codes and Abbreviations" appearing at the beginning of each regular issue of the PCT Gazette.

(54) Title: A CANNULA WITH A DEPLOYABLE EXTERNAL THREAD



(57) Abstract: A cannula (10) for fixation within a portal to provide access to a surgical worksite by a surgical instrument, comprises an elongate tubular body (12) defining a passage (14) for receiving a surgical instrument, the tubular body having an upper end (16) and a lower end (18), a sealing assembly (20) located at the upper end for sealingly receiving a surgical instrument, and a generally cylindrical sleeve (22) surrounding and extending along at least part of the tubular body. The sleeve has a lower end (24) which is secured to the tubular body, an upper end (26) and an external screw thread (28) and is of a flexible material so that stretching the sleeve in the direction (29) of the upper end of the tubular body by displacing the tubular body and sleeve relative to each other increases the pitch (32) and reduces the depth (34) of the thread and relative displacement in the opposite direction reduces the pitch and increases the depth of the thread.

WO 2007/093957 A3

INTERNATIONAL SEARCH REPORT

International application No

PCT/IB2007/050464

A. CLASSIFICATION OF SUBJECT MATTER

INV. A61B17/34

ADD. A61M39/06

According to International Patent Classification (IPC) or to both national classification and IPC

B. FIELDS SEARCHED

Minimum documentation searched (classification system followed by classification symbols)

A61B

Documentation searched other than minimum documentation to the extent that such documents are included in the fields searched

Electronic data base consulted during the international search (name of data base and, where practical, search terms used)

EPO-Internal, WPI Data

C. DOCUMENTS CONSIDERED TO BE RELEVANT

| Category* | Citation of document, with indication, where appropriate, of the relevant passages | Relevant to claim No. |
|-----------|--|-----------------------|
| A | US 2004/034364 A1 (SNYDER STEPHEN J [US]) 19 February 2004 (2004-02-19) cited in the application figures 1,2 paragraphs [0004], [0010], [0013] - [0018] | 1-3,6,7 |
| A | US 5 797 943 A (DANKS JOHN K [US] ET AL) 25 August 1998 (1998-08-25) figures 1A,2 column 1, line 11 column 3, line 45 - column 4, line 2 ----- -/-- | 1,2,10 |

 Further documents are listed in the continuation of Box C. See patent family annex.

* Special categories of cited documents :

- *A* document defining the general state of the art which is not considered to be of particular relevance
- *E* earlier document but published on or after the international filing date
- *L* document which may throw doubts on priority claim(s) or which is cited to establish the publication date of another citation or other special reason (as specified)
- *O* document referring to an oral disclosure, use, exhibition or other means
- *P* document published prior to the international filing date but later than the priority date claimed

- *T* later document published after the international filing date or priority date and not in conflict with the application but cited to understand the principle or theory underlying the invention
- *X* document of particular relevance; the claimed invention cannot be considered novel or cannot be considered to involve an inventive step when the document is taken alone
- *Y* document of particular relevance; the claimed invention cannot be considered to involve an inventive step when the document is combined with one or more other such documents, such combination being obvious to a person skilled in the art.
- * & * document member of the same patent family

Date of the actual completion of the international search

13 August 2007

Date of mailing of the international search report

22/08/2007

Name and mailing address of the ISA/

European Patent Office, P.B. 5818 Patentlaan 2
NL - 2280 HV Rijswijk
Tel. (+31-70) 340-2040, Tx. 31 651 epo nl,
Fax: (+31-70) 340-3016

Authorized officer

Hübner, Jens

INTERNATIONAL SEARCH REPORT

International application No

PCT/IB2007/050464

C(Continuation). DOCUMENTS CONSIDERED TO BE RELEVANT

| Category* | Citation of document, with indication, where appropriate, of the relevant passages | Relevant to claim No. |
|-----------|--|-----------------------|
| A | US 3 970 090 A (LOIACONO VINCENT R) 20 July 1976 (1976-07-20) figures 1,2 column 1, line 56 - column 2, line 52 column 3, line 20 - line 36 column 3, line 52 - line 57 | 1-4,6,7, 10,11,13 |
| A | US 6 432 085 B1 (STELLON GENE [US] ET AL) 13 August 2002 (2002-08-13) figures 12,13 column 5, line 13 - line 38 | 1,2,6, 10,13 |
| A | WO 98/50104 A (INNERDYNE MEDICAL INC [US]) 12 November 1998 (1998-11-12) figures 5,7A page 12, line 15 - line 30 page 13, line 18 - line 32 | 4,9,11, 14 |
| A | WO 96/00105 A (INNERDYNE MEDICAL INC [US]) 4 January 1996 (1996-01-04) figures 1,3,4 | 5,7,8,12 |
| A | US 5 817 062 A (FLOM JAMES R [US] ET AL) 6 October 1998 (1998-10-06) figure 19 column 7, line 64 - column 8, line 2 | 1 |
| E | WO 2007/056627 A (APPLIED MED RESOURCES [US]; AU GIGI [US]; ALBRECHT JEREMY J [US]; HART) 18 May 2007 (2007-05-18) figures 15C,16C,17C,19,20 page 12 - page 15 claim 11 | 1 |

Box II Observations where certain claims were found unsearchable (Continuation of item 2 of first sheet)

This International Search Report has not been established in respect of certain claims under Article 17(2)(a) for the following reasons:

1. Claims Nos.: 15-16
because they relate to subject matter not required to be searched by this Authority, namely:
Rule 39.1(iv) PCT - Method for treatment of the human or animal body by surgery
2. Claims Nos.:
because they relate to parts of the International Application that do not comply with the prescribed requirements to such an extent that no meaningful International Search can be carried out, specifically:
3. Claims Nos.:
because they are dependent claims and are not drafted in accordance with the second and third sentences of Rule 6.4(a).

Box III Observations where unity of invention is lacking (Continuation of item 3 of first sheet)

This International Searching Authority found multiple inventions in this international application, as follows:

1. As all required additional search fees were timely paid by the applicant, this International Search Report covers all searchable claims.
2. As all searchable claims could be searched without effort justifying an additional fee, this Authority did not invite payment of any additional fee.
3. As only some of the required additional search fees were timely paid by the applicant, this International Search Report covers only those claims for which fees were paid, specifically claims Nos.:
4. No required additional search fees were timely paid by the applicant. Consequently, this International Search Report is restricted to the invention first mentioned in the claims; it is covered by claims Nos.:

Remark on Protest

- The additional search fees were accompanied by the applicant's protest.
- No protest accompanied the payment of additional search fees.

INTERNATIONAL SEARCH REPORT

International application No
PCT/IB2007/050464

| Patent document cited in search report | | Publication date | Patent family member(s) | Publication date |
|---|----|---------------------|----------------------------|--|
| US 2004034364 | A1 | 19-02-2004 | NONE | |
| US 5797943 | A | 25-08-1998 | NONE | |
| US 3970090 | A | 20-07-1976 | NONE | |
| US 6432085 | B1 | 13-08-2002 | NONE | |
| WO 9850104 | A | 12-11-1998 | EP US | 1015069 A1 5836913 A 05-07-2000 17-11-1998 |
| WO 9600105 | A | 04-01-1996 | AU EP JP US | 2948795 A 0767688 A1 10502266 T 5540658 A 19-01-1996 16-04-1997 03-03-1998 30-07-1996 |
| US 5817062 | A | 06-10-1998 | US | 5971960 A 26-10-1999 |
| WO 2007056627 | A | 18-05-2007 | US | 2007106319 A1 10-05-2007 |