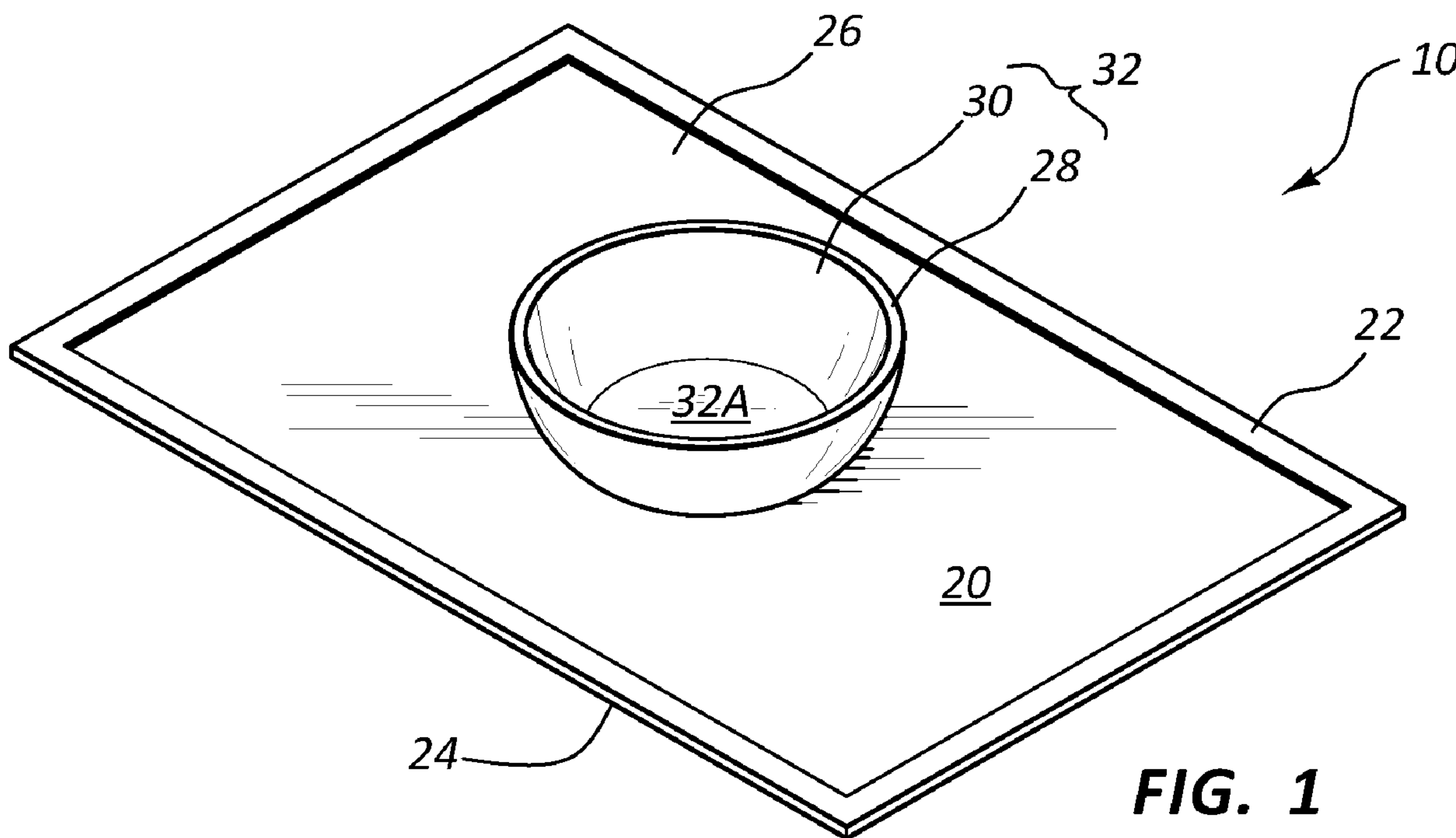




(86) **Date de dépôt PCT/PCT Filing Date:** 2015/01/20  
 (87) **Date publication PCT/PCT Publication Date:** 2016/01/21  
 (85) **Entrée phase nationale/National Entry:** 2016/12/20  
 (86) **N° demande PCT/PCT Application No.:** US 2015/011955  
 (87) **N° publication PCT/PCT Publication No.:** 2016/010585  
 (30) **Priorité/Priority:** 2014/07/17 (US14/333,682)

(51) **Cl.Int./Int.Cl. A47G 19/02** (2006.01)  
 (71) **Demandeur/Applicant:**  
 EAZY-PZ, LLC, US  
 (72) **Inventeur/Inventor:**  
 LAURAIN, LINDSEY, US  
 (74) **Agent:** NEXUS LAW GROUP LLP

(54) **Titre : ARTICLES DE TABLE ET NAPPE INTEGRES AUTOSCELLANTS DE CONTACT DE SURFACE**  
 (54) **Title: SURFACE CONTACT SELF-SEALING INTEGRATED TABLEWEAR AND DINING MAT**



**FIG. 1**

(57) **Abrégé/Abstract:**

A self-sealing integrated tablewear and dining mat including a rubberlike planar portion having a raised perimeter delimiting at least one concavity above an upper surface and a suffuse undersurface disposed for sealable contact with an underlying surface upon which said mat is disposed, said sealable contact preventative of lateral displacement of the planar portion across the underlying surface, wherein said sealable contact creates a partial vacuum when attempts to separate the undersurface from the underlying surface are made except at an outer edge of the planar portion, whereby removal of the planar portion from the underlying surface is effective only by peeling the undersurface from the underlying surface starting first at the outer edge.

(12) INTERNATIONAL APPLICATION PUBLISHED UNDER THE PATENT COOPERATION TREATY (PCT)

(19) World Intellectual Property  
Organization  
International Bureau(43) International Publication Date  
21 January 2016 (21.01.2016)(10) International Publication Number  
**WO 2016/010585 A1**

(51) International Patent Classification:

A47G 19/02 (2006.01)

(21) International Application Number:

PCT/US2015/011955

(22) International Filing Date:

20 January 2015 (20.01.2015)

(25) Filing Language:

English

(26) Publication Language:

English

(30) Priority Data:

14/333,682

17 July 2014 (17.07.2014)

US

(72) Inventor; and

(71) Applicant : LAURAIN, Lindsey [US/US]; 17011 Lincoln Ave., #434, Parker, CO 80134 (US).

(74) Agent: WILLIAMS, Benjamin, F.; 6104 S Taft Way, Littleton, CO 80127 (US).

(81) Designated States (unless otherwise indicated, for every kind of national protection available): AE, AG, AL, AM, AO, AT, AU, AZ, BA, BB, BG, BH, BN, BR, BW, BY, BZ, CA, CH, CL, CN, CO, CR, CU, CZ, DE, DK, DM, DO, DZ, EC, EE, EG, ES, FI, GB, GD, GE, GH, GM, GT,

HN, HR, HU, ID, IL, IN, IR, IS, JP, KE, KG, KN, KP, KR, KZ, LA, LC, LK, LR, LS, LU, LY, MA, MD, ME, MG, MK, MN, MW, MX, MY, MZ, NA, NG, NI, NO, NZ, OM, PA, PE, PG, PH, PL, PT, QA, RO, RS, RU, RW, SA, SC, SD, SE, SG, SK, SL, SM, ST, SV, SY, TH, TJ, TM, TN, TR, TT, TZ, UA, UG, US, UZ, VC, VN, ZA, ZM, ZW.

(84) Designated States (unless otherwise indicated, for every kind of regional protection available): ARIPO (BW, GH, GM, KE, LR, LS, MW, MZ, NA, RW, SD, SL, ST, SZ, TZ, UG, ZM, ZW), Eurasian (AM, AZ, BY, KG, KZ, RU, TJ, TM), European (AL, AT, BE, BG, CH, CY, CZ, DE, DK, EE, ES, FI, FR, GB, GR, HR, HU, IE, IS, IT, LT, LU, LV, MC, MK, MT, NL, NO, PL, PT, RO, RS, SE, SI, SK, SM, TR), OAPI (BF, BJ, CF, CG, CI, CM, GA, GN, GQ, GW, KM, ML, MR, NE, SN, TD, TG).

Declarations under Rule 4.17:

- as to applicant's entitlement to apply for and be granted a patent (Rule 4.17(ii))
- of inventorship (Rule 4.17(iv))

Published:

- with international search report (Art. 21(3))

(54) Title: SURFACE CONTACT SELF-SEALING INTEGRATED TABLEWEAR AND DINING MAT

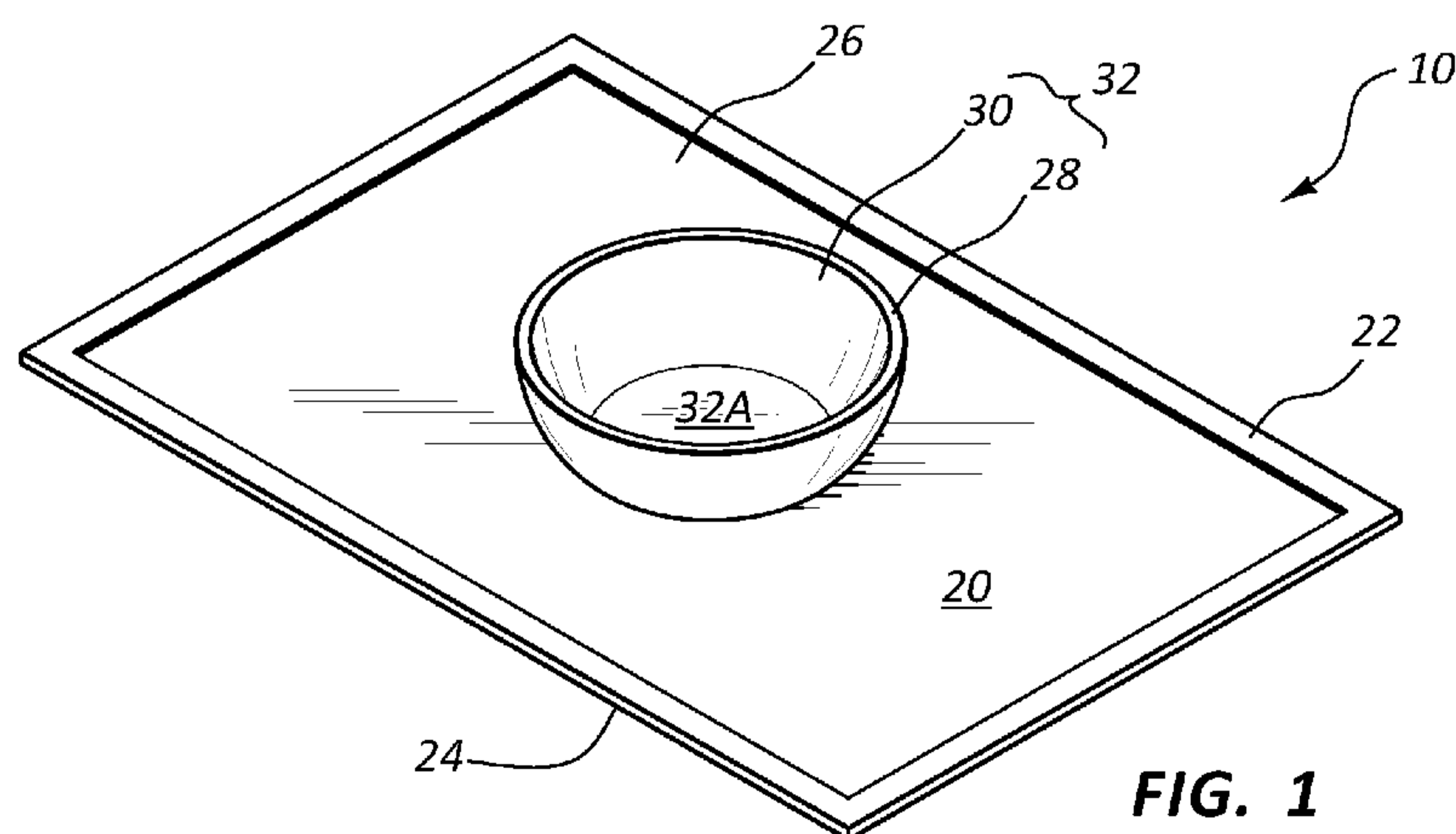


FIG. 1

(57) Abstract: A self-sealing integrated tablewear and dining mat including a rubberlike planar portion having a raised perimeter delimiting at least one concavity above an upper surface and a suffuse undersurface disposed for sealable contact with an underlying surface upon which said mat is disposed, said sealable contact preventative of lateral displacement of the planar portion across the underlying surface, wherein said sealable contact creates a partial vacuum when attempts to separate the undersurface from the underlying surface are made except at an outer edge of the planar portion, whereby removal of the planar portion from the underlying surface is effective only by peeling the undersurface from the underlying surface starting first at the outer edge.



WO 2016/010585 A1

1  
2  
3  
4  
5  
6  
7  
8  
9  
10  
11  
12  
13  
14  
15  
16  
17  
18  
19  
20  
21  
22  
23

PATENT COOPERATION TREATY PATENT APPLICATION

TITLE

Surface Contact Self-Sealing Integrated Tablewear and Dining Mat

CROSS-REFERENCE TO RELATED APPLICATIONS

This international application claims the benefit of nonprovisional application for utility patent no. 14333682 filed a the united States Patent and Trademark Office on July 17, 2014

FEDERALLY SPONSORED RESEARCH OR DEVELOPMENT

Not Applicable

INCORPORATION BY REFERENCE OF MATERIAL SUBMITTED ON A COMPACT DISK

Not Applicable

## 1 SPECIFICATION

2  
3 TO ALL WHOM IT MAY CONCERN4 Be it known that I, Lindsey Laurain, a citizen of the United States, have invented  
5 new and useful improvements in a surface contact self-sealing integrated tablewear and  
6 dining mat as described in this specification, and that the benefit of nonprovisional  
7 application no. 14333682 for utility patent, filed with the USPTO on July 17, 2014, is  
8 hereby claimed.9  
10 BACKGROUND OF THE INVENTION11  
12 Various types of tablewear and associated placemats are known in the prior art  
13 devised for use by infants and children at mealtime. However, what is needed is a  
14 surface contact self-sealing integrated tablewear and dining mat that includes an  
15 impervious, rubberlike planar portion having a raised perimeter delimiting at least one  
16 concavity above an upper surface, and a suffuse undersurface disposed for sealable  
17 contact with an underlying surface upon which said mat is disposed, said sealable  
18 contact preventative of lateral displacement of the planar portion across the underlying  
19 surface, wherein said sealable contact creates a partial vacuum when attempts to  
20 separate the undersurface from the underlying surface are made except at an outer  
21 edge of the planar portion, whereby removal of the planar portion from the underlying  
22 surface is effective only by peeling the undersurface from the underlying surface starting  
23 first at the outer edge.

1  
2  
3  
4  
5  
6  
7  
8  
9  
10  
11  
12  
13  
14  
15  
16  
17  
18  
19  
20  
21  
22  
23

## FIELD OF THE INVENTION

The present invention relates to a surface contact self-sealing integrated tablewear and dining mat, and more particularly, to a self-sealing integrated tablewear and dining mat including an impervious rubberlike planar portion having a raised perimeter delimiting at least one concavity above an upper surface and a suffuse undersurface disposed for sealable contact with an underlying surface upon which said mat is disposed, said sealable contact preventative of lateral displacement of the planar portion across the underlying surface, wherein said sealable contact creates a partial vacuum when attempts to separate the undersurface from the underlying surface are made except at an outer edge of the planar portion, whereby removal of the planar portion from the underlying surface is effective only by peeling the undersurface from the underlying surface starting first at the outer edge.

## SUMMARY OF THE INVENTION

The general purpose of the surface contact self-sealing integrated tablewear and dining mat, described subsequently in greater detail, is to provide a surface contact self-sealing integrated tablewear and dining mat which has many novel features that result in a surface contact self-sealing integrated tablewear and dining mat which is not anticipated, rendered obvious, suggested, or even implied by prior art, either alone or in combination thereof.

1 Many a parent knows the inconvenience of having to clean up after their  
2 children's mealtimes. Young children especially can be quite messy, even dislodging  
3 and upturning their plates and bowls to spill foodstuffs and beverages everywhere.  
4 What is needed is a surface contact self-sealing integrated tablewear and dining mat,  
5 whereby tablewear (including bowls, plates, and other such concavities and receptacles  
6 as are suited for delimiting foodstuffs therein) is not separable from an underlying planar  
7 portion or placemat, and lateral displacement and simple overturning of said mat is  
8 preventable.

9 The present surface contact self-sealing integrated tablewear and dining mat,  
10 therefore, enables a planar portion devised for sealable contact upon an underlying  
11 surface, wherein lateral displacement of said planar portion upon said underlying  
12 surface is preventable and a partial vacuum, creatable between the planar portion and  
13 said underlying surface when attempts to lift the planar portion away from said  
14 underlying surface are effected, prevents separation of the planar portion from the  
15 underlying surface except when said planar portion is first peeled away from said  
16 underlying surface at an outer edge of said planar portion. Thus the present surface  
17 contact self-sealing integrated tablewear and dining mat resists displacement and  
18 overturning effected by a clumsy or deliberate child, whereby foodstuffs are effectively  
19 maintained at a desired position upon a tabletop, for example, and spilled foodstuffs are  
20 catchable upon said planar portion and thereat removed from contact with the  
21 underlying surface for ready and expedient cleanup subsequent completion of the  
22 mealtime.

1           The present surface contact self-sealing integrated tablewear and dining mat,  
2 therefore, includes an impermeable planar portion delimited by an outer edge. The  
3 outer edge defines the outermost extremity of the planar portion. The planar portion  
4 includes an undersurface and an upper surface, as will be described subsequently.

5           The undersurface has a high coefficient of friction, defined herein as enabling  
6 contact upon a vertical surface, and maintaining said contact by tractive engagement  
7 therewith capable of supporting the weight of planar portion thereon. Thus, the planar  
8 portion is capable of maintaining position and contact with a vertically oriented surface  
9 when applied thereto by means of the high coefficient of friction of the undersurface.

10           The undersurface also effects sealable contact with an underlying surface.  
11 Lifting the planar portion anywhere except at the outer edge, therefore, creates a partial  
12 vacuum between the undersurface and said underlying surface, whereby frictional  
13 resistance to lateral displacement and sealable contact impervious to passage of air or  
14 fluids resist separation of the planar portion from the underlying surface. Removal of  
15 the planar portion from an underlying surface is thus best effected at the outer edge,  
16 whereat sealable contact is breakable and creation of the partial vacuum is avoidable.

17           The upper surface includes a raised perimeter centrally disposed thereon, said  
18 raised perimeter defining a concavity atop the planar portion upper surface. The  
19 concavity is contemplated to include at least one receptacle wherein foodstuffs are  
20 storable, as desired, for ingestion therefrom. The at least one receptacle is  
21 contemplated to include a bowl and, alternately, an ovoid portion having at least a pair  
22 of receptacles therein, whereby dissimilar foodstuffs are storable within the concavity  
23 separated and distinct for ingestion therefrom, as desired.

1           Since the concavity and at least one receptacle are integrated with the planar  
2 portion upper surface, said concavity and at least one receptacle are not separable  
3 therefrom, and lateral displacement and spillage are thereby preventable by inadvertent  
4 or deliberate knocking by a child. Moreover, the planar portion acts to anchor the  
5 concavity and at least one receptacle in a desired position upon an underlying surface,  
6 thereby preventative of inadvertent or mischievous tampering by a child at mealtime.

7           In the preferred embodiment herein disclosed, the surface contact self-sealing  
8 integrated tablewear and dining mat is contemplated to be made from silicone, or  
9 another nontoxic rubberlike polymer, yielding to the touch, and having an undersurface  
10 enabling sealable contact with an underlying surface such as a tabletop, said  
11 undersurface having a high coefficient of friction resistive of lateral displacement  
12 thereon. Thus, the surface contact self-sealing integrated tablewear and dining mat  
13 provides an all-in-one tablewear and placemat for children, yielding to the touch,  
14 resistive to displacement, overturning, or spillage, and appropriate to catch spilled foods  
15 during ingestion by a child, whereby expedient cleanup after mealtime is effective.

16           Thus has been broadly outlined the more important features of the present  
17 surface contact self-sealing integrated tablewear and dining mat so that the detailed  
18 description thereof that follows may be better understood and in order that the present  
19 contribution to the art may be better appreciated.

20           Objects of the present surface contact self-sealing integrated tablewear and  
21 dining mat, along with various novel features that characterize the invention are  
22 particularly pointed out in the claims forming a part of this disclosure. For better  
23 understanding of the surface contact self-sealing integrated tablewear and dining mat,

1 its operating advantages and specific objects attained by its uses, refer to the  
2 accompanying drawings and description.

3

#### 4 BRIEF DESCRIPTION OF THE DRAWINGS

5

#### 6 FIGURES

7 Figure 1 is an isometric view of an example embodiment.

8 Figure 2 is a top view of an example embodiment.

9 Figure 3 is a side view of an example embodiment.

10 Figure 4 is a cross section view of an example embodiment, taken along the line  
11 4-4 of Figure 2.

12 Figure 5 is an isometric view of an example embodiment.

13 Figure 6 is a top view of an example embodiment.

14 Figure 7 is a side view of an example embodiment.

15 Figure 8 is a cross section view of an example embodiment taken along the line  
16 8-8 of Figure 6.

17 Figure 9 is an isometric view of an example embodiment.

18 Figure 10 is a top view of an example embodiment.

19 Figure 11 is a side view of an example embodiment.

20 Figure 12 is a cross section view of an example embodiment, taken along the  
21 line 12-12 of Figure 10.

22

## 1 DETAILED DESCRIPTION OF THE DRAWINGS

2  
3 With reference now to the drawings, and in particular FIGS. 1 through 12 thereof,  
4 example of the instant surface contact self-sealing integrated tablewear and dining mat  
5 employing the principles and concepts of the present surface contact self-sealing  
6 integrated tablewear and dining mat and generally designated by the reference number  
7 10 will be described.

8 Referring to FIGS. 1 through 12 a preferred embodiment of the present surface  
9 contact self-sealing integrated tablewear and dining mat 10 is illustrated.

10 The present surface contact self-sealing integrated tablewear and dining mat 10  
11 has been devised to enable a choice placemat and integrated eating vessel for young  
12 children, whereby lateral displacement of the mat 10 is preventable upon a given  
13 underlying surface, such as a tabletop, for example, and food is maintained in position  
14 within the area of the mat 10.

15 The present surface contact self-sealing integrated tablewear and dining mat 10,  
16 therefore includes a silicone planar portion 20 bounded by an outer edge 22. An  
17 undersurface 24 is suffuse upon the planar portion 20, said undersurface 24 disposed to  
18 sealably contact an underlying surface upon which the planar portion 20 is disposed.  
19 The undersurface 24 includes a high coefficient of friction, whereby the planar portion  
20 20 is maintainable in contact with a vertically oriented surface without vertical  
21 displacement thereupon. The sealable contact further creates a partial vacuum  
22 between the undersurface 24 and an underlying surface upon which the planar portion  
23 20 is disposed when the undersurface 24 is caused to separate from the underlying

1 surface, whereby the undersurface 24 is maintained in contact with the underlying  
2 surface by force of atmosphere exerted upon the planar portion 20, whereby separation  
3 of the planar portion 20 from the underlying surface is preventable, except by peeling  
4 action at the outer edge 22.

5 The planar portion 20 further includes an upper surface 26, disposed overlying  
6 the undersurface 24. A raised perimeter 28 is disposed within the upper surface 26,  
7 said raised perimeter 28 defining a concavity 30 wrought above the upper surface of the  
8 planar portion 20 to delimit at least one receptacle 32 upon the planar portion 20. The  
9 at least one receptacle 32 is variously effected; as shown in FIGS. 1 through 4, the at  
10 least one receptacle 32 is disposed as a bowl 32A; in FIGS. 5 through 8, the at least  
11 one receptacle 32 is disposed as a shallow ovoid portion 32B, within the bounds of  
12 which ovoid portion 32B is disposed at least a pair of receptacles 34 for the selective  
13 and separable positioning of foodstuffs therein.

14 The at least one receptacle 32 is wrought of the same material as the planar  
15 portion 20, and may be molded thereon at time of manufacture. In the preferred  
16 embodiment herein disclosed, the planar portion 20 is rendered of silicone, or another  
17 rubberlike nontoxic polymer with a high coefficient of friction and effective of sealable,  
18 airtight contact with an underlying surface. The present surface contact self-sealing  
19 integrated tablewear and dining mat 10, therefore, resists lateral displacement upon an  
20 underlying surface, such as a tabletop, as when, for example, a child attempts to push,  
21 knock, slip, or slide said tablewear and dining mat 10. Moreover, the silicone or  
22 rubberlike nontoxic substrate is yielding, whereby injury from forced contact therewith is  
23 obviated.

1           Moreover, the silicone substrate, or nontoxic rubberlike polymer, comprising the  
2 surface contact self-sealing integrated tablewear and dining mat 10 is impermeable,  
3 whereby foodstuffs and fluids are maintained from contact with the underlying surface  
4 upon which said planar portion 20 is disposed. Thus, mess created when, for example,  
5 and infant is eating is thereby catchable upon the planar portion 20 and prevented from  
6 contacting the underlying surface whereon is positioned the surface contact self-sealing  
7 integrated tablewear and dining mat 10.

8           The present surface contact self-sealing integrated tablewear and dining mat 10,  
9 therefore, sealably contacts an underlying surface and thereby prevents lateral  
10 displacement of the planar portion 20 across said underlying surface by frictional  
11 engagement therewith. Creation of a partial vacuum between the undersurface 24 and  
12 the underlying surface, when attempt is made to separate said planar portion 20 from  
13 said underlying surface, prevents unintended lifting of the planar portion 20 off of said  
14 underlying surface. A child, therefore, is prevented from lifting the present surface  
15 contact self-sealing integrated tablewear and dining mat 10 from a table, for example,  
16 by grasping the at least one receptacle 32.

17           To remove the surface contact self-sealing integrated tablewear and dining mat  
18 10 from an underlying surface, and break contact therebetween, a user lifts the outer  
19 edge 22 of the planar portion 20 from off the underlying surface. Lifting the planar  
20 portion 20 at the outer edge 22, and peeling the planar portion 20 from the underlying  
21 surface, prevents creation of the partial vacuum by enabling entry of ambient  
22 atmosphere between the undersurface 24 and the underlying surface, whereby removal

1 of the surface contact self-sealing integrated tablewear and dining mat 10 from an  
2 underlying surface is effective.

3 Foodstuffs are therefore selectively positional interior to the at least one  
4 receptacle 32, said receptacle 32 thence maintained in desired position upon the  
5 underlying surface by action of the planar portion 20 sealably contacting said underlying  
6 surface, and removal of said planar portion 20 from said underlying surface is effective  
7 only when said planar portion 20 is separated from said underlying surface first at the  
8 outer edge 22 of the planar portion 20, whereby attempts by an infant to overturn, slide,  
9 slip, or otherwise displace the planar portion 20 while eating therefrom are preventable.

10

11

1  
2  
3  
4  
5  
6  
7  
8  
9  
10  
11  
12  
13  
14  
15  
16  
17  
18  
19  
20  
21  
22  
23

## CLAIMS

What is claimed is:

1. A surface contact self-sealing integrated tablewear and dining mat comprising a rubberlike planar portion having a raised perimeter delimiting at least one concavity above an upper surface and a suffuse undersurface disposed for sealable contact with an underlying surface upon which said mat is disposed, said sealable contact preventative of lateral displacement of the planar portion across the underlying surface, wherein said sealable contact creates a partial vacuum when attempts to separate the undersurface from the underlying surface are made except at an outer edge of the planar portion, whereby removal of the planar portion from the underlying surface is effective only by peeling the undersurface from the underlying surface starting first at the outer edge.
2. The surface contact self-sealing integrated tablewear and dining mat of claim 1 wherein the planar portion extends laterally beyond the raised perimeter whereby the planar portion extends surrounding the at least one concavity.
3. The surface contact self-sealing integrated tablewear and dining mat of claim 2 wherein the at least one concavity includes at least one receptacle divided therein, said at least one receptacle appropriate for holding differentiated foodstuffs therein.

- 1 4. The surface contact self-sealing integrated tablewear and dining mat of claim 3  
2 wherein the rubberlike planar portion is molded nontoxic silicone.  
3
- 4 5. A surface contact self-sealing integrated tablewear and dining mat comprising:  
5 a nontoxic polymeric planar portion;  
6 an outer edge perimetrically bounding said planar portion;  
7 an undersurface suffuse upon the planar portion, said undersurface  
8 disposed to sealably contact an underlying surface upon which the  
9 planar portion is disposed;  
10 an upper surface; and  
11 a raised perimeter disposed within the upper surface, said raised  
12 perimeter defining a concavity wrought above the upper surface of  
13 the planar portion to delimit at least one receptacle upon the planar  
14 portion;  
15 wherein the undersurface sealably contacts an underlying surface upon which  
16 the planar portion is disposed, said undersurface thereby preventing  
17 lateral displacement of the planar portion upon said underlying surface  
18 by frictional engagement therewith and, further, creation of a partial  
19 vacuum between the undersurface and the underlying surface when  
20 attempt is made to remove said planar portion away from said  
21 underlying surface, whereby foodstuffs are positional interior to the at  
22 least one receptacle, said receptacle thence maintained in desired  
23 position by action of the planar portion contacting said underlying

1 surface, and removal of said planar portion from said underlying surface  
2 is effective only when said planar portion is lifted from said underlying  
3 surface first at the outer edge of the planar portion.

4  
5 6. The surface contact self-sealing integrated tablewear and dining mat of claim 5  
6 wherein the at least one receptacle is a bowl.

7  
8 7. The surface contact self-sealing integrated tablewear and dining mat of claim 5  
9 wherein the at least one receptacle includes an ovoid portion and at least a pair  
10 of receptacles disposed within the bounds of the ovoid portion for separate and  
11 selective positioning of foodstuffs.

12  
13 8. The surface contact self-sealing integrated tablewear and dining mat of claim 5  
14 wherein the nontoxic polymeric planar portion is silicone.

15  
16 9. A surface contact self-sealing integrated tablewear and dining mat comprising:  
17 a silicone planar portion;  
18 an outer edge perimetrically bounding the planar portion;  
19 an undersurface suffuse upon the planar portion, said undersurface  
20 disposed to sealably contact an underlying surface upon which the  
21 planar portion is disposed;  
22 an upper surface; and

1 a raised perimeter disposed within the upper surface, said raised  
2 perimeter defining a concavity wrought above the upper surface of  
3 the planar portion to delimit at least one receptacle upon the planar  
4 portion;

5 wherein the undersurface sealably contacts an underlying surface upon which  
6 the planar portion is disposed, said undersurface thereby preventing  
7 lateral displacement of the planar portion upon said underlying surface  
8 by frictional engagement therewith and, further, creation of a partial  
9 vacuum between the undersurface and the underlying surface when  
10 attempt is made to separate said planar portion from said underlying  
11 surface, whereby foodstuffs are selectively positional interior to the at  
12 least one receptacle, said receptacle thence maintained in desired  
13 position upon the underlying surface by action of the planar portion  
14 contacting said underlying surface, and removal of said planar portion  
15 from said underlying surface is effective only when said planar portion is  
16 separated from said underlying surface first at the outer edge of the  
17 planar portion.

18  
19  
20  
21  
22  
23

1/3

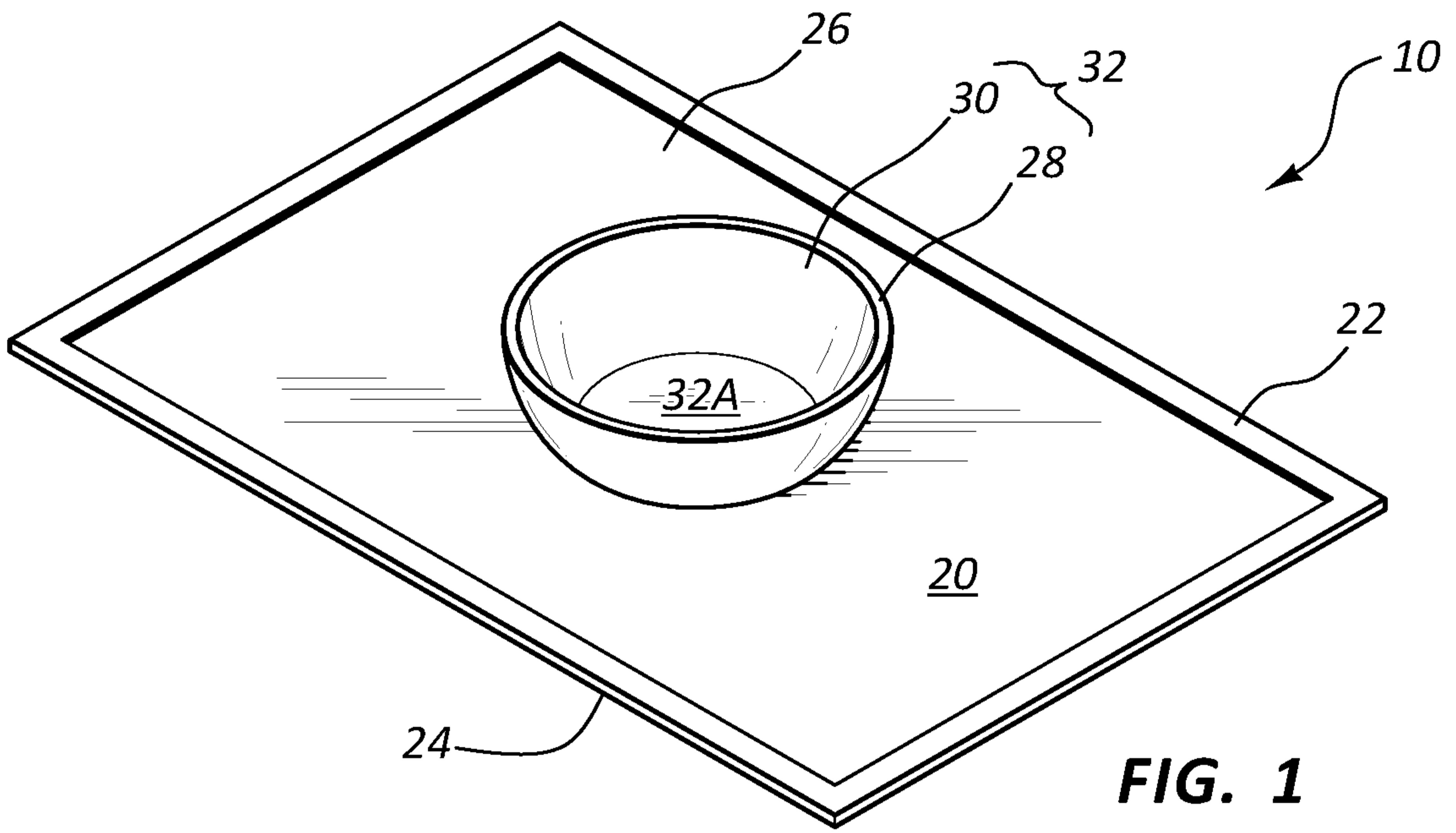


FIG. 1

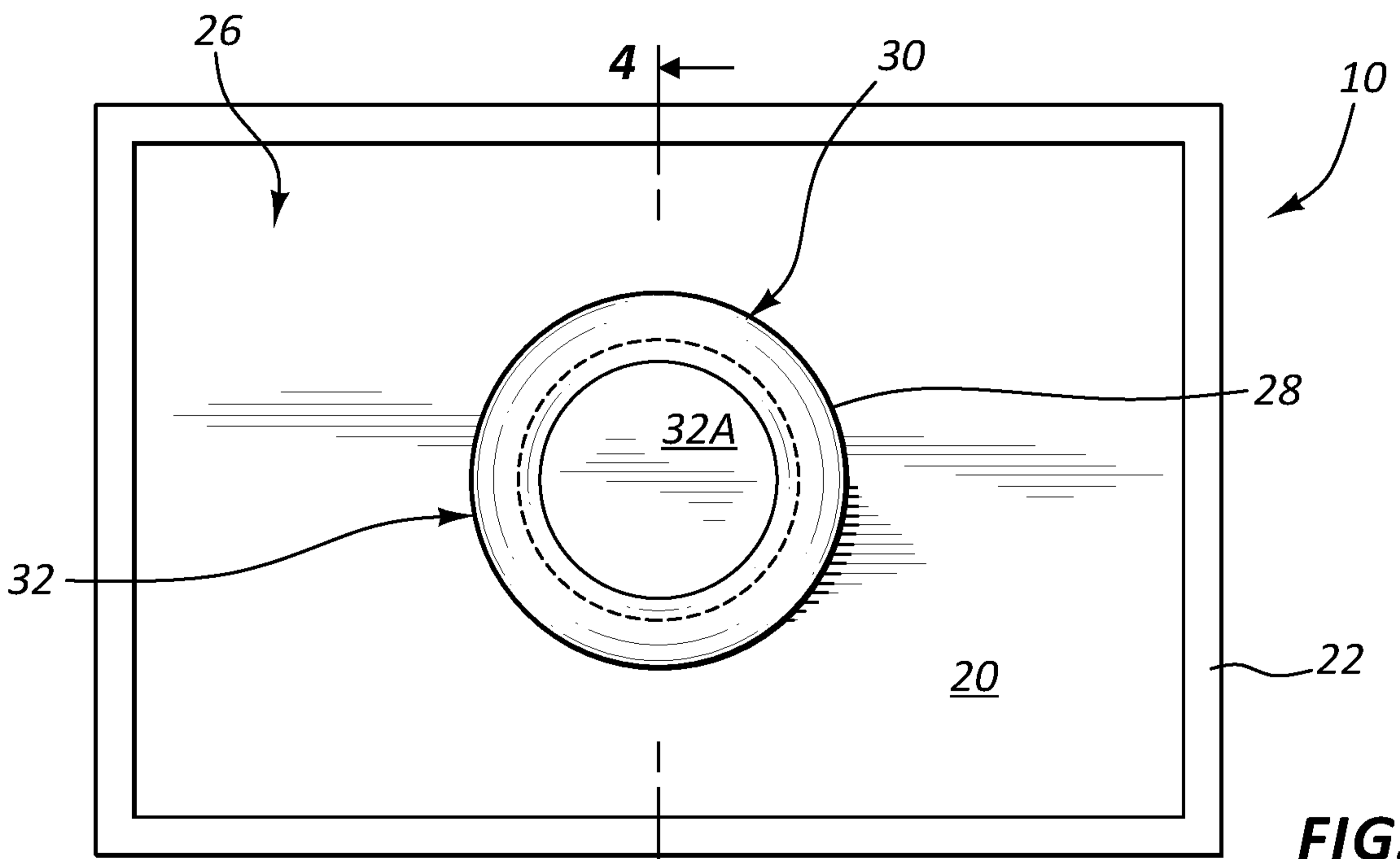


FIG. 2

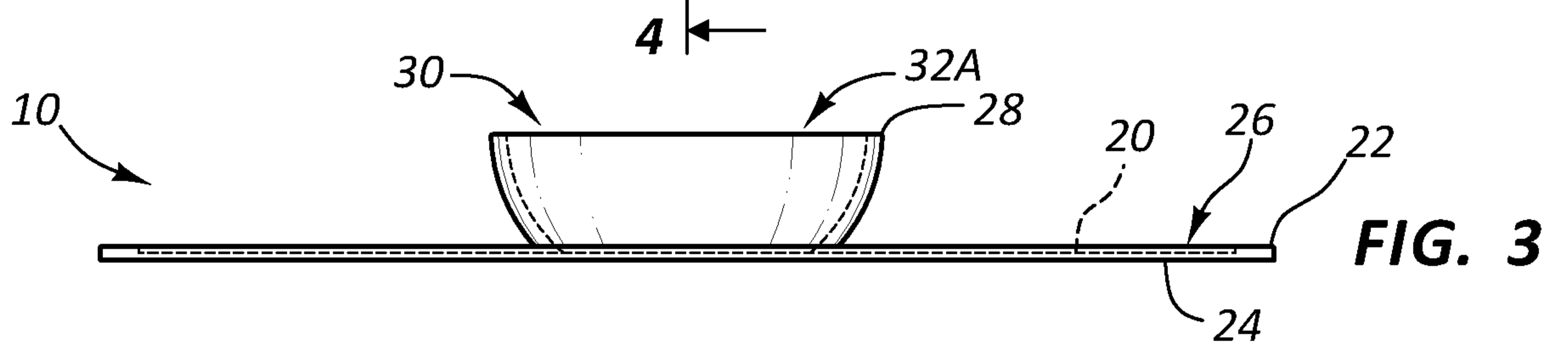


FIG. 3

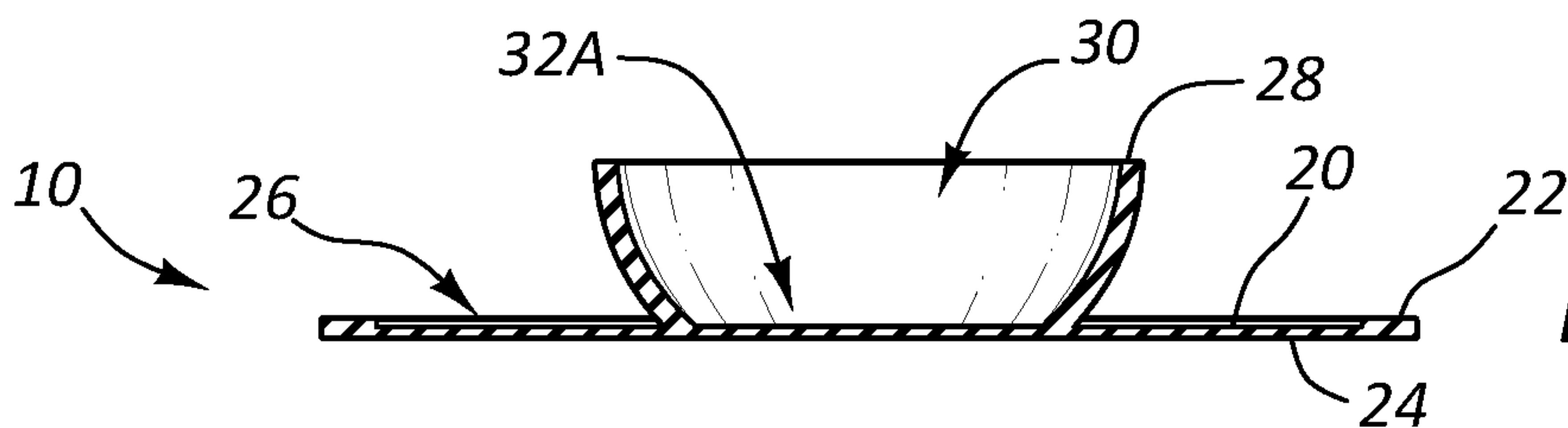
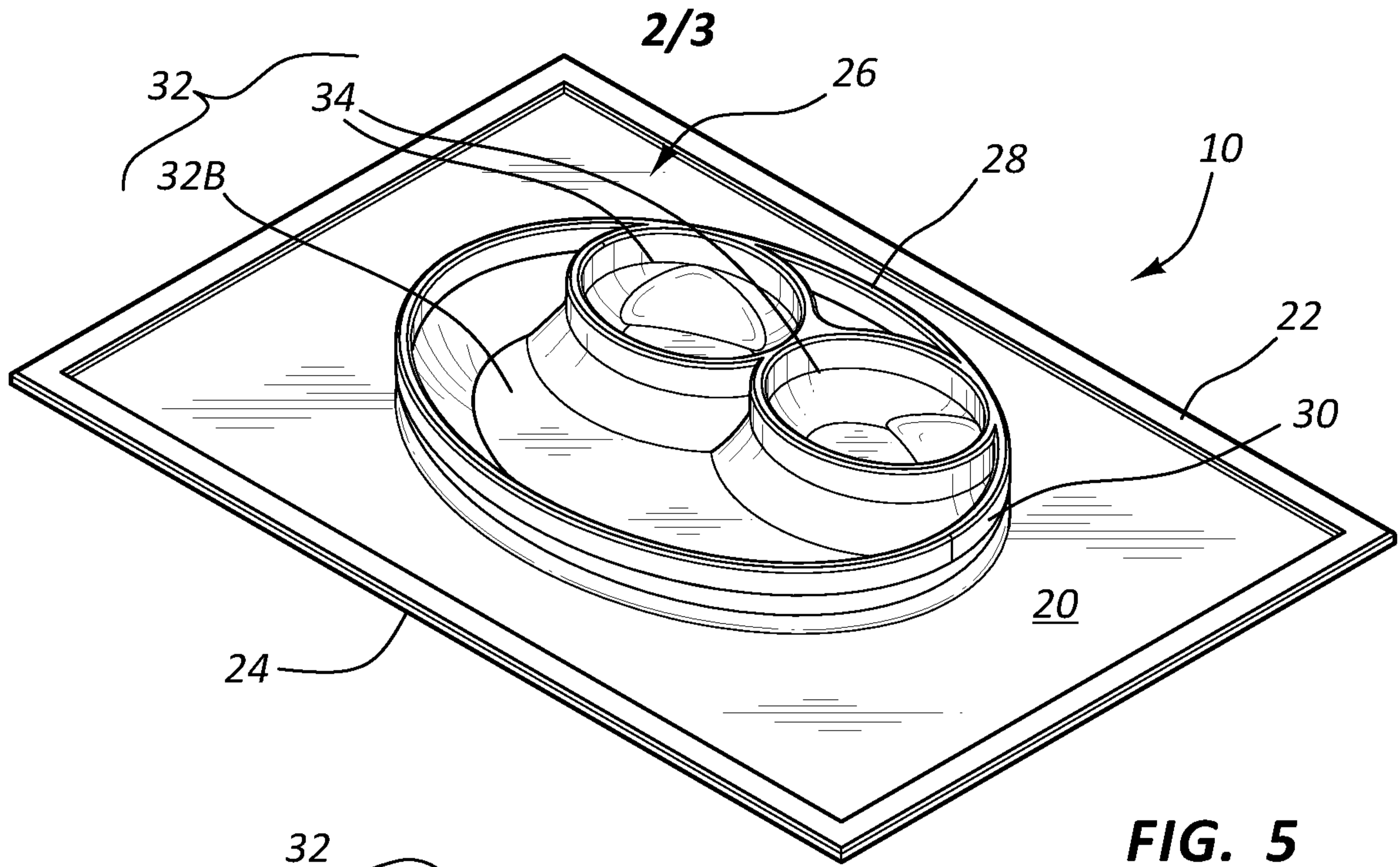
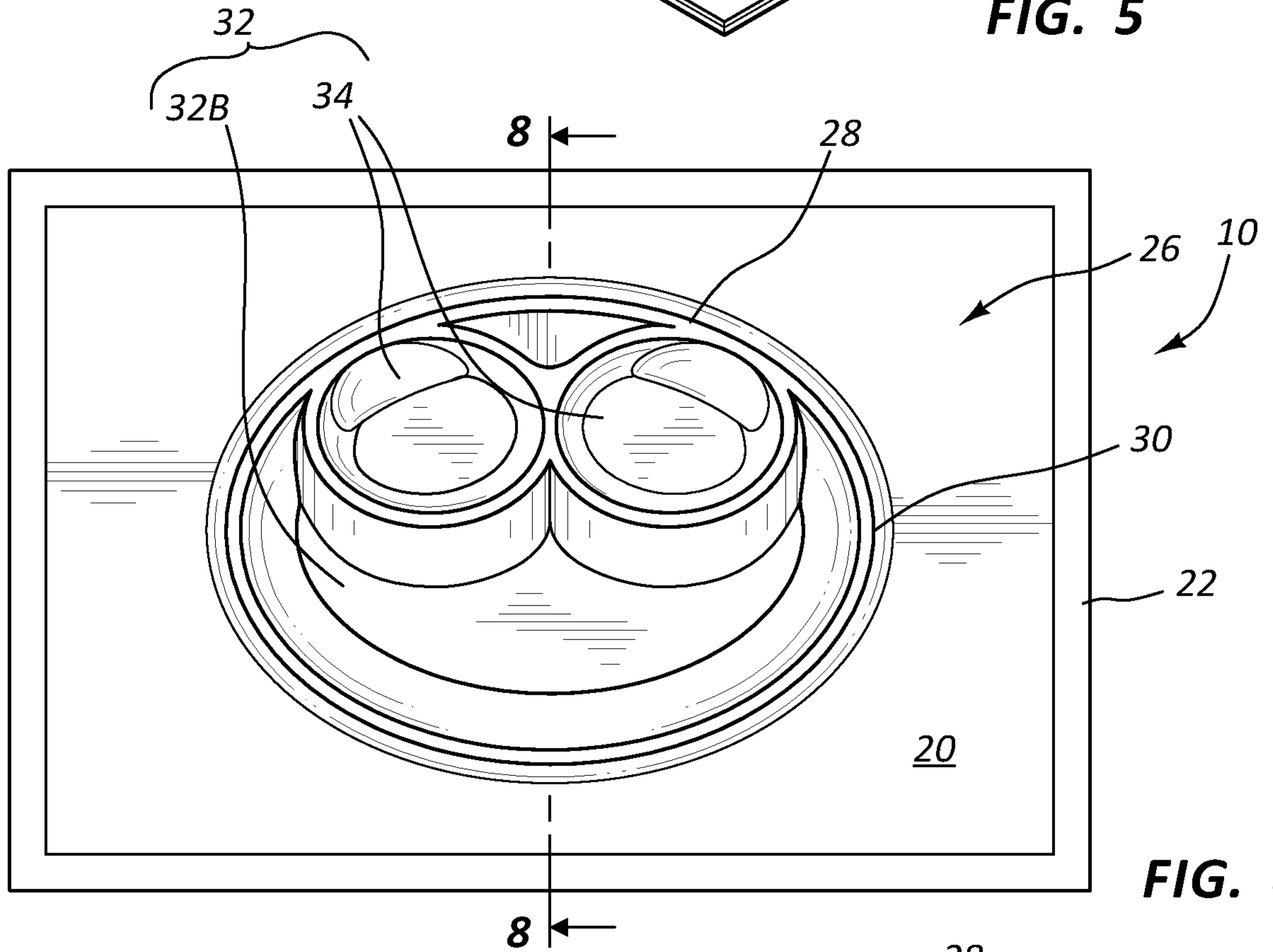


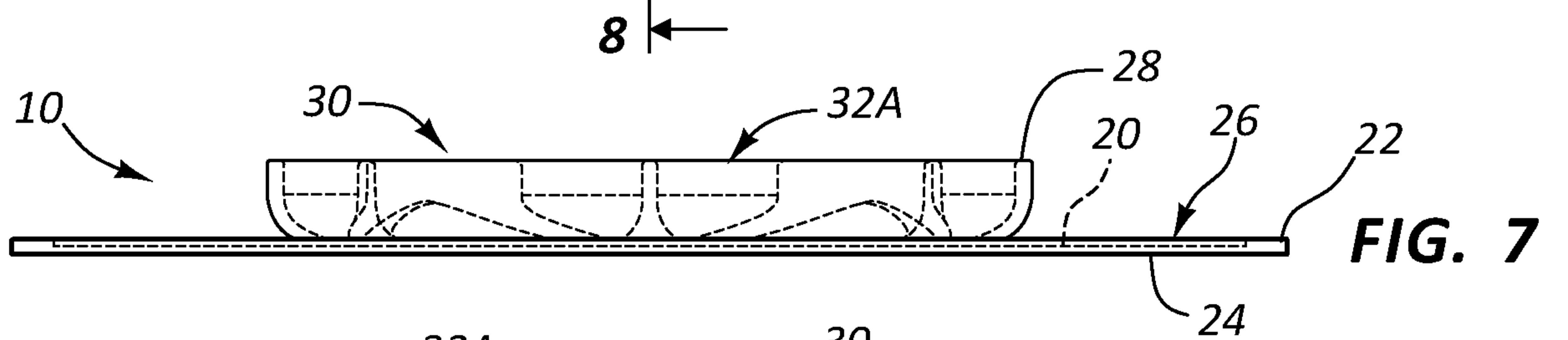
FIG. 4



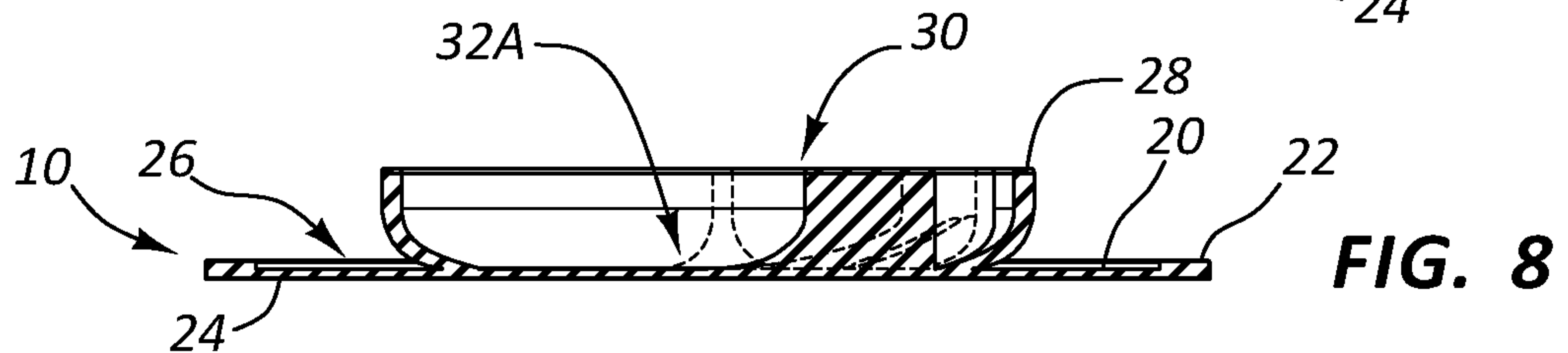
**FIG. 5**



**FIG. 6**



**FIG. 7**



**FIG. 8**

3/3

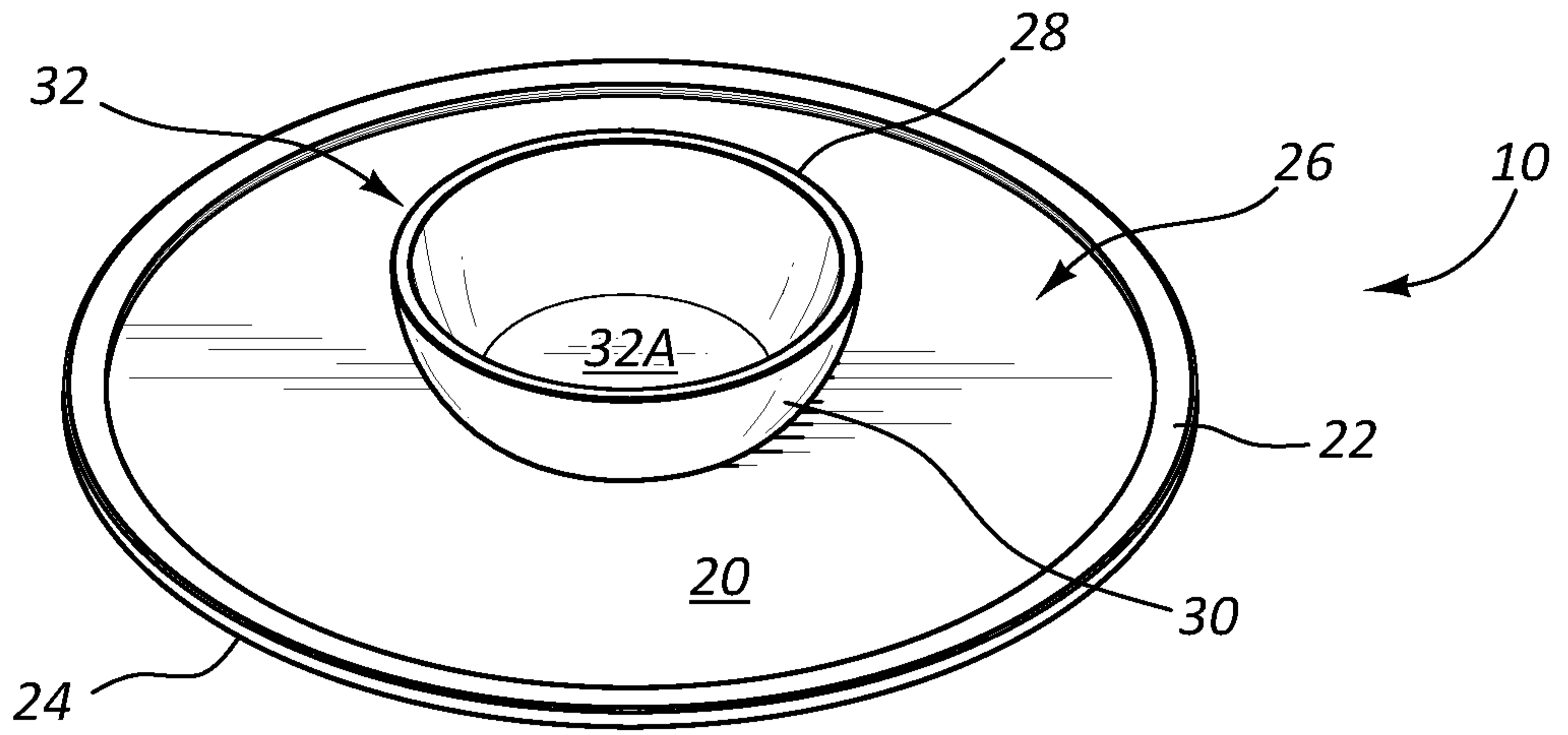


FIG. 9

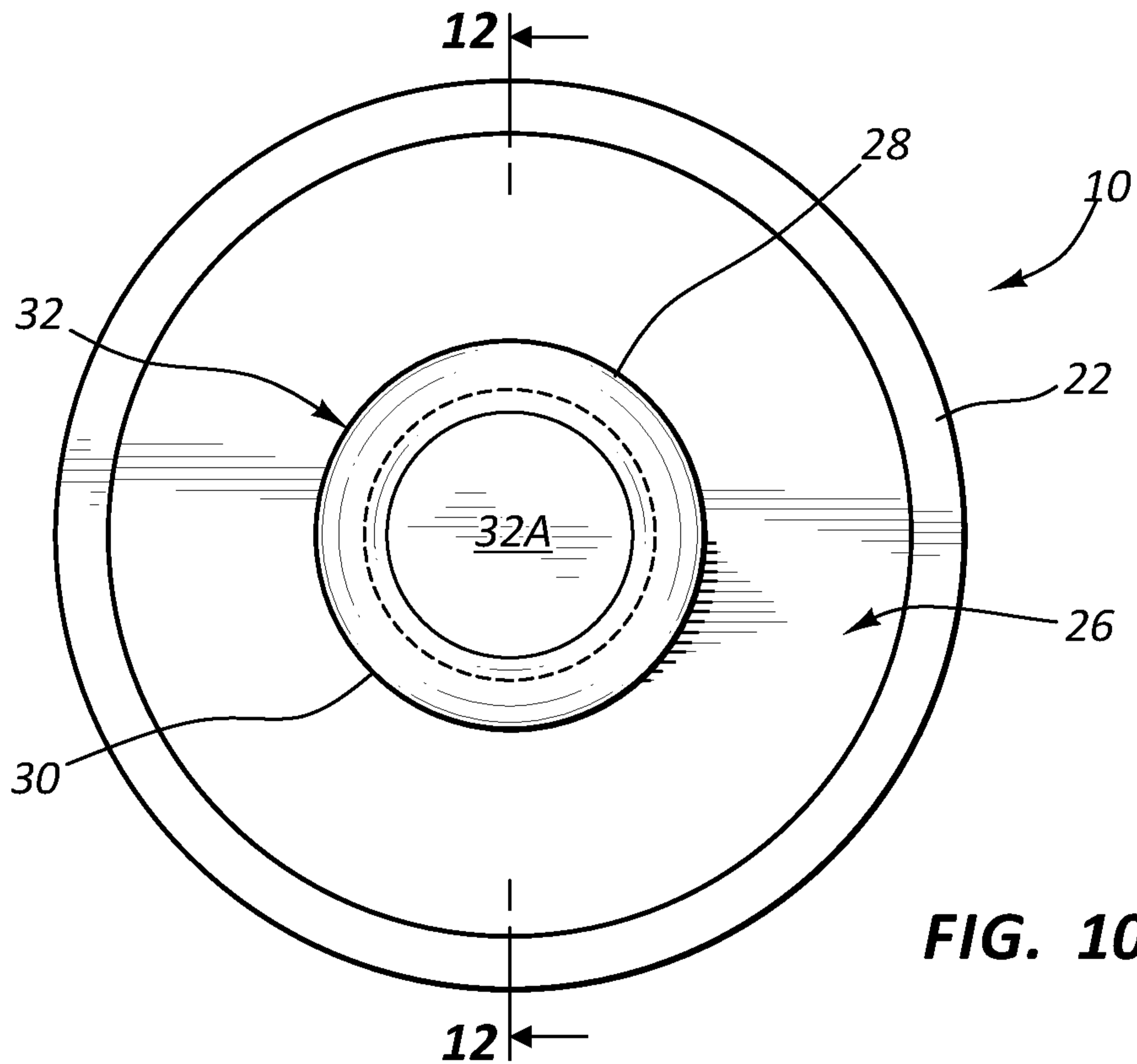


FIG. 10

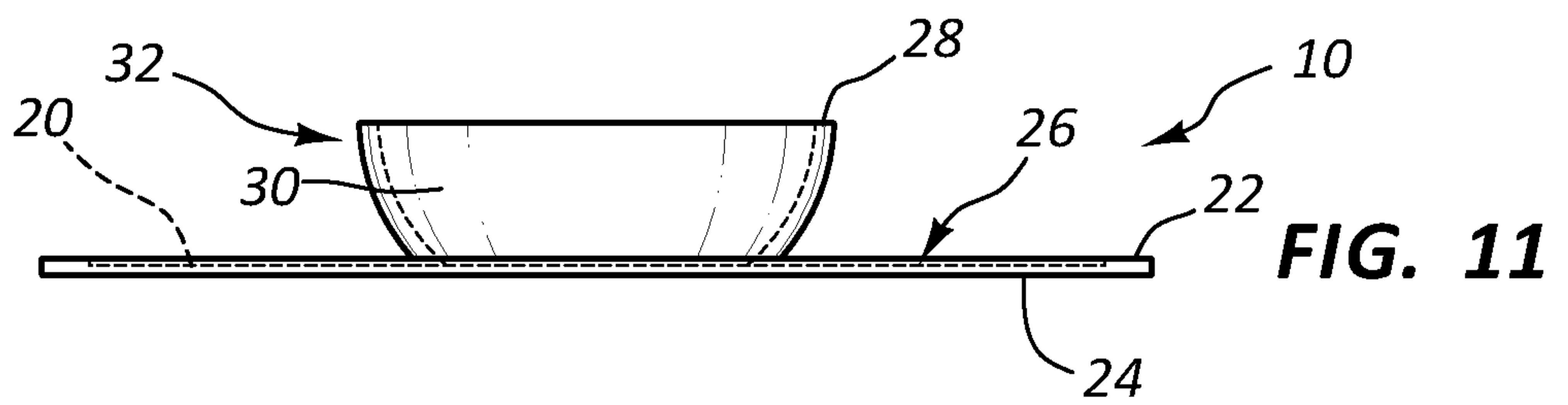


FIG. 11

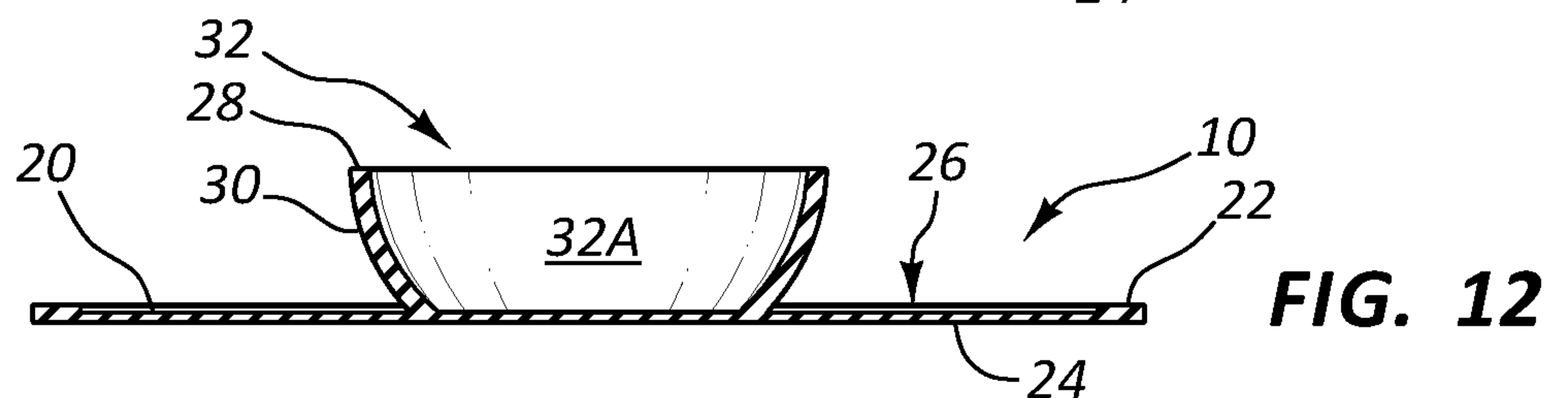
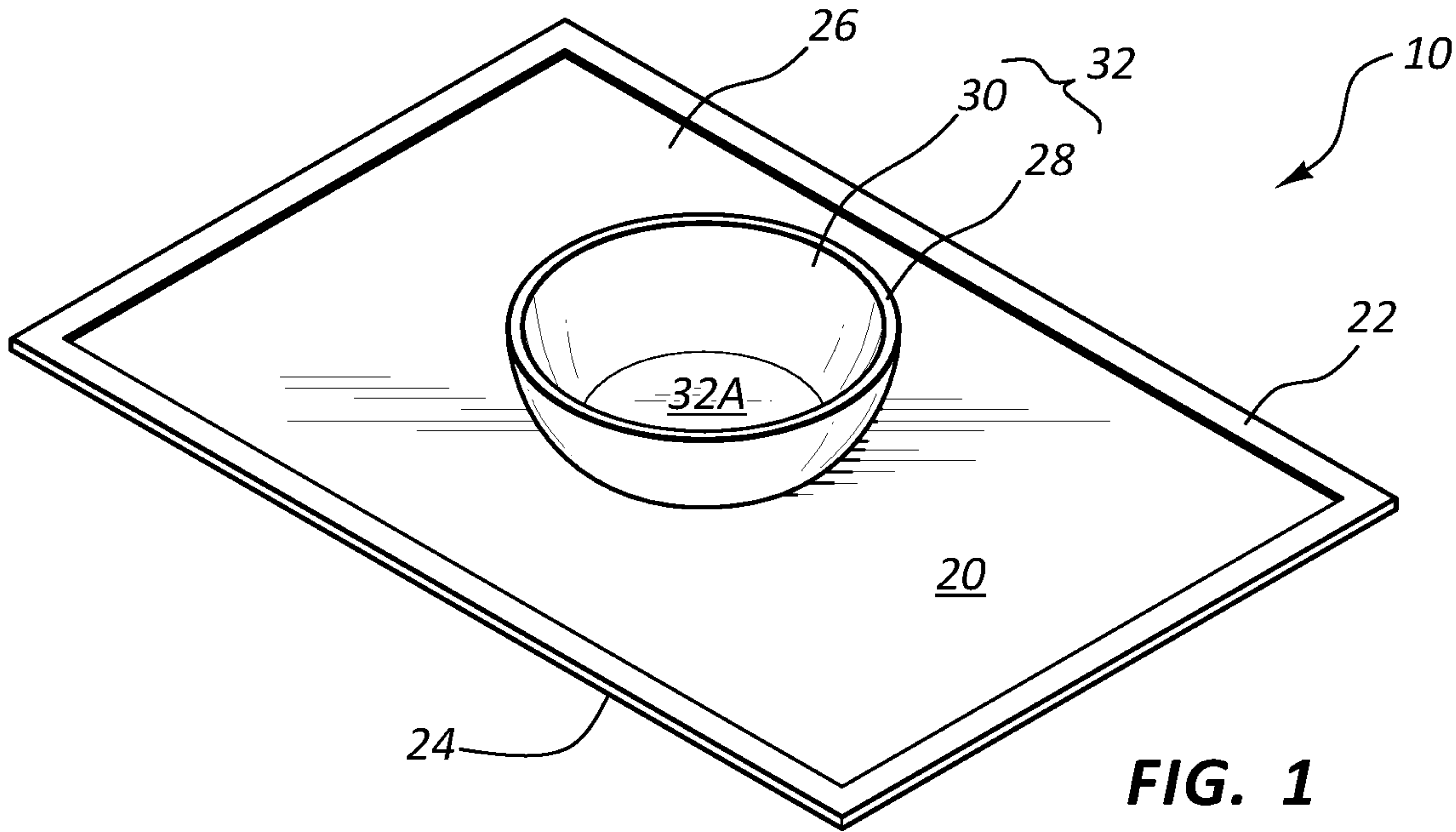


FIG. 12



**FIG. 1**