

**(12) STANDARD PATENT**  
**(19) AUSTRALIAN PATENT OFFICE**

(11) Application No. **AU 2017207418 B2**

(54) Title  
**Roll holder**

(51) International Patent Classification(s)  
**A47K 10/38** (2006.01)

(21) Application No: **2017207418**

(22) Date of Filing: **2017.01.13**

(87) WIPO No: **WO17/123872**

(30) Priority Data

(31) Number  
**14/994,978**

(32) Date  
**2016.01.13**

(33) Country  
**US**

(43) Publication Date: **2017.07.20**

(44) Accepted Journal Date: **2022.04.28**

(71) Applicant(s)  
**Kaveh Harounian**

(72) Inventor(s)  
**Harounian, Kaveh**

(74) Agent / Attorney  
**Spruson & Ferguson, GPO Box 3898, Sydney, NSW, 2001, AU**

(56) Related Art  
**US 7172152 B2**  
**US 6305035 B1**

CORRECTED VERSION

(19) World Intellectual Property Organization  
International Bureau

(43) International Publication Date  
20 July 2017 (20.07.2017)



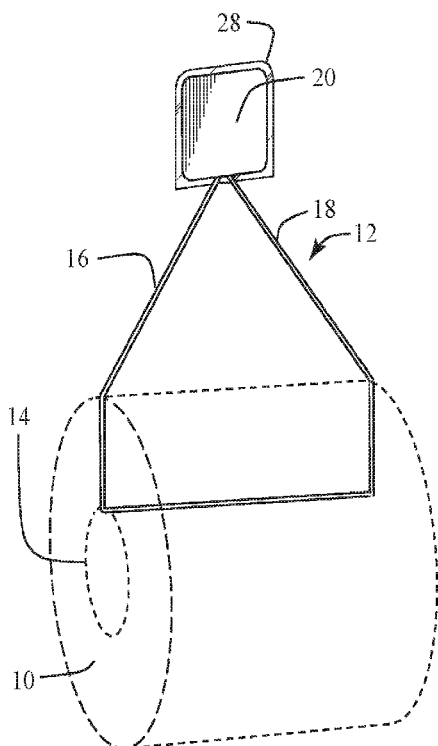
(10) International Publication Number  
WO 2017/123872 A9

- (51) International Patent Classification: Not classified
- (74) Agent: BERLINER, Robert; Berliner & Associates, 555 West Fifth Street, 31st Floor, Los Angeles, CA 90013 (US).
- (21) International Application Number: PCT/US2017/013339
- (81) Designated States (unless otherwise indicated, for every kind of national protection available): AE, AG, AL, AM, AO, AT, AU, AZ, BA, BB, BG, BH, BN, BR, BW, BY, BZ, CA, CH, CL, CN, CO, CR, CU, CZ, DE, DJ, DK, DM, DO, DZ, EC, EE, EG, ES, FI, GB, GD, GE, GH, GM, GT, HN, HR, HU, ID, IL, IN, IR, IS, JP, KE, KG, KH, KN, KP, KR, KW, KZ, LA, LC, LK, LR, LS, LU, LY, MA, MD, ME, MG, MK, MN, MW, MX, MY, MZ, NA, NG, NI, NO, NZ, OM, PA, PE, PG, PH, PL, PT, QA, RO, RS, RU, RW, SA, SC, SD, SE, SG, SK, SL, SM, ST, SV, SY, TH, TJ, TM, TN, TR, TT, TZ, UA, UG, US, UZ, VC, VN, ZA, ZM, ZW.
- (22) International Filing Date: 13 January 2017 (13.01.2017)
- (25) Filing Language: English
- (26) Publication Language: English
- (30) Priority Data: 14/994,978 13 January 2016 (13.01.2016) US
- (72) Inventor; and
- (71) Applicant : HAROUNIAN, Kaveh [US/US]; 411 N. Palm Drive #2, Beverly Hills, CA 90015 (US).

[Continued on next page]

(54) Title: ROLL HOLDER

Fig. 1



(57) Abstract: A holder for a roll of toilet paper or a roll of absorbent sheet material, the roll having a hollow cylindrical core, the holder comprising a patch formed of paper, cloth or thin plastic sheet, having an adhesive surface, cordage for insertion through the core secured to the patch. The assembly of the patch and cordage is capable of suspending the roll by adhesion of the patch to a surface. The cordage forms two legs which can be secured to the patch. Alternatively, one end of one leg of the cordage is fixed at a distal point below the patch to the other leg, the end of which is secured to the patch. The adhesive can be covered by a release sheet.

WO 2017/123872 A9

**(84) Designated States** (*unless otherwise indicated, for every kind of regional protection available*): ARIPO (BW, GH, GM, KE, LR, LS, MW, MZ, NA, RW, SD, SL, ST, SZ, TZ, UG, ZM, ZW), Eurasian (AM, AZ, BY, KG, KZ, RU, TJ, TM), European (AL, AT, BE, BG, CH, CY, CZ, DE, DK, EE, ES, FI, FR, GB, GR, HR, HU, IE, IS, IT, LT, LU, LV, MC, MK, MT, NL, NO, PL, PT, RO, RS, SE, SI, SK, SM, TR), OAPI (BF, BJ, CF, CG, CI, CM, GA, GN, GQ, GW, KM, ML, MR, NE, SN, TD, TG).

**Published:**

— *without international search report and to be republished upon receipt of that report (Rule 48.2(g))*

**(48) Date of publication of this corrected version:**

17 August 2017

**(15) Information about Correction:**

see Notice of 17 August 2017

## ROLL HOLDER

### **Field of the Invention**

[0001] The invention relates to a roll holder such as for toilet paper or a roll of absorbent sheet material.

### **[0002] Background of the Invention**

[0003] A very wide variety of holders are known to facilitate the dispensing of roll paper such as toilet paper or a kitchen roll of paper or water-absorbent material. These include wall mounted devices and stand-alone devices. Wall mounted devices are connected to a wall and include spring loaded telescopic cores held between mounts that extend from a wall, and U-shaped metal rods that extend from a wall either horizontally or formed as an upright. Some of the holders are mainly functional while others are designer holders providing a bathroom or kitchen highlight for what otherwise would be a pedestrian device. A designer roll holder sold by Vandiss as the Diabolo Toilet Paper Holder (<http://shop.gessato.com/diabolo-toilet-paper-holder-by-vandiss.html>) uses a pulley mounted on a wall. Nautical rope is threaded through the hollow cylindrical core of a roll of toilet paper and is wrapped around the hub of the pulley to suspend the toilet paper. The toilet paper holder derives its mode of operation from the juggling toy that consists of a top in the form of a deep pulley balanced across a string. It is secured against the wall by use of adhesive applied to both the wall and to the back of the pulley, using heat such as from a hair blower followed by curing for 72 hours. A significant purpose of such a pulley holder is ornamental as are many of the various designer paper roll holders.

[0004] When a person needing the use of toilet paper or absorbent paper is not in a home having a bathroom or kitchen, for example when camping or when the person is homeless or living in meager or rundown housing, then the only recourse is to carry tissue paper or an unsupported paper roll. The use of a stand-alone device is not practical as it would be burdensome to carry such a device, and wall mounted devices

of the prior art such as the afore-described pulley holder are not feasible. There is a need for a paper holder that can readily be mounted on the wall of a tent or on a wall that is too thin to support the usual holder or which cannot be drilled into, or even on a wall under an overpass that often serves as a shelter for homeless people. Such a holder must be simple and inexpensive yet must provide the convenience of a fully functional wall mounted paper roll holder.

### **Brief Summary of the Invention**

[0005] According to one aspect of the present invention, there is provided a holder for a roll of toilet paper or a roll of absorbent sheet material, the holder being constructed to have one side mountable directly to a surface of a wall, the holder comprising a patch having an adhesive surface covered by a release sheet on said side and cordage including a string or rope cord capable of being inserted through a roll core and directly secured to the adhesive surface of the patch, the patch and the cordage together being capable of supporting the roll suspended by the cordage by adhesion of the patch by the string or rope by adhesion of the patch directly to the surface of the wall, the patch consisting essentially of paper, cloth or thin plastic sheet.

[0005a] According to one aspect of the present invention, there is provided an assembly of a roll of toilet paper or a roll of absorbent sheet material and a holder for the roll of toilet paper or the roll of absorbent sheet material, the holder being constructed to have one side mountable directly to a surface of a wall, the holder-comprising a patch having an adhesive surface covered by a release sheet on said side and cordage being inserted through a roll core and directly secured to the adhesive surface of the patch, the assembly of the patch and cordage supporting the roll suspended by the cordage by adhesion of the patch directly to the surface of a wall, the patch consisting of paper, cloth or thin plastic sheet, wherein the cordage comprises a single cord with two legs for extending from a supported roll, each leg being secured at its end to the patch.

### **Brief Description of the Drawings**

[0006] For a more complete understanding of the present invention, reference is now made to the following descriptions taken in conjunction with the accompanying

drawing, in which the broken lines are for the purpose of illustrating a roll of paper carried by the holder and in which:

[0007] Figure 1 is a front perspective view of a first embodiment of the invention;

[0008] Figure 2 is a front plan view of the embodiment of Figure 1;

[0009] Figure 3A is a rear plan view of the embodiment of Figure 1, showing a clear plastic release sheet carried on an adhesive layer;

[0010] Figure 3B is a rear plan view of the embodiment of Figure 3A with the clear plastic release sheet removed exposing the adhesive layer;

[0011] Figure 4 is a left side view of the embodiment of Figure 1;

[0012] Figure 5 is a right side view of the embodiment of Figure 1;

[0013] Figure 6 is a top view of the embodiment of Figure 1;

[0014] Figure 7 is a bottom view of the embodiment of Figure 1;

[0015] Figure 8 is a front perspective view of a second embodiment of the invention;

[0016] Figure 9 is a front plan view of the embodiment of Figure 8;

[0017] Figure 10A is a rear plan view of the embodiment of Figure 8, showing a clear plastic release sheet carried on an adhesive layer;

[0018] Figure 10B is a rear plan view of the embodiment of Figure 10A with the clear plastic release sheet removed exposing the adhesive layer;

[0019] Figure 11 is a left side view of the embodiment of Figure 8;

[0020] Figure 12 is a right side view of the embodiment of Figure 8;

[0021] Figure 13 is a top view of the embodiment of Figure 8;

[0022] Figure 14 is a bottom view of the embodiment of Figure 8;

[0023] Figure 15A depicts a prior art holder designed to mount a pulley onto a wall with a nautical rope threaded through the hollow cylindrical core of a roll of toilet paper and wrapped around the hub of the pulley to suspend the toilet paper;

[0024] Figure 15B depicts a close-up of the pulley region of the holder of Figure 15A; and

[0025] Figure 15C is the instruction sheet for the holder of Figure 15A.

### **Detailed Description of the Invention**

[0026] Figures 15A-C depict a designer roll holder, and its instruction sheet, sold by Vandiss as the Diabolo Toilet Paper Holder (<http://shop.gessato.com/diabolo-toilet-paper-holder-by-vandiss.html>) that suspends a roll of toilet paper on a length of nautical rope that is threaded through the hollow cylindrical core of a roll of toilet paper and is wrapped around the hub of a pulley to suspend the toilet paper. The pulley is mounted on a wall using adhesive applied to both the wall and to the back of the pulley. Because of the weight of the pulley added to the weight of the roll, mounting requires using heat such as from a hair blower followed by curing for 72 hours.

[0027] Figures 1-7 depict a first embodiment of the invention in which a roll of paper, illustrated by a roll of toilet paper 10 is suspended by cordage 12. The cordage 12 is inserted through the hollow cylindrical core 14 of the roll of toilet paper or roll of absorbent sheet material forming two legs 16, 18 but rather than being wound about a pulley or other device that needs to be fixed with hardware to a wall, the present invention utilizes an adhesive patch 20 to which the ends 22, 24 of the cordage 12 are secured, as shown in Fig. 3B and to secure the cordage 12 to a wall or other support.

[0028] The patch 20 is a piece of material of any convenient shape, square, triangular, circular or the like formed of paper, cloth or thin (i.e., less than .3 cm thick) plastic sheet, having adhesive 26 on a side as shown in Fig. 3B. The adhesive 26 can be covered by a release sheet 28, which can be opaque or clear, and may carry printing

2017207418 01 Apr 2022

on its outer side. Such printing can be a design or text or a combination thereof and can be a logographic for the company manufacturing the holder or a third party to generate advertising revenue. The release sheet 28 can be of clear plastic, as shown, of paper or other material. As shown in Fig. 3B, the ends of the cordage 22, 24 can be fixed to the patch 20 by the adhesive 26. Alternatively, or in addition, the ends 22, 24 of the cordage can be sewn to the patch 20 or, if the cordage 12 and patch 20 are of plastic material, they can be fused together.

[0029] Referring to Figure 8-14, a second embodiment is depicted wherein one end of one leg 16' of the cordage 12' is fixed to the other leg 18' at a distal point 30 below the patch 20, the end 22' of the leg 16' being secured to the patch 20. Fixing can be by knotting or by fusion and can be overlaid within a plastic sleeve 32.

[0030] The cordage 12 or 12' can be formed of string, cable, braiding such as braided thread, lace, lanyard, twine, or cord or any other suitable material.

[0031] Although the present invention has been described in connection with the preferred embodiments, it is to be understood that modifications and variations may be utilized without departing from the principles and scope of the invention, as those skilled in the art will readily understand. Accordingly, such modifications may be practiced within the scope of the following claims.

[0032] Throughout this specification, including the claims, where the context permits, the term "comprise" and variants thereof such as "comprises" or "comprising" are to be interpreted as including the stated integer or integers without necessarily excluding any other integers.

[0033] Mere reference to background art herein should not be construed as an admission that such art constitutes common general knowledge in relation to the invention.



### **The Claims**

1. A holder for a roll of toilet paper or a roll of absorbent sheet material, the holder being constructed to have one side mountable directly to a surface of a wall, the holder comprising a patch having an adhesive surface covered by a release sheet on said side and cordage including a string or rope cord capable of being inserted through a roll core and directly secured to the adhesive surface of the patch, the patch and the cordage together being capable of supporting the roll suspended by the cordage by adhesion of the patch by the string or rope by adhesion of the patch directly to the surface of the wall, the patch consisting essentially of paper, cloth or thin plastic sheet.

2. The holder of claim 1 wherein the cordage comprises a single cord with two legs for extending from a supported roll.

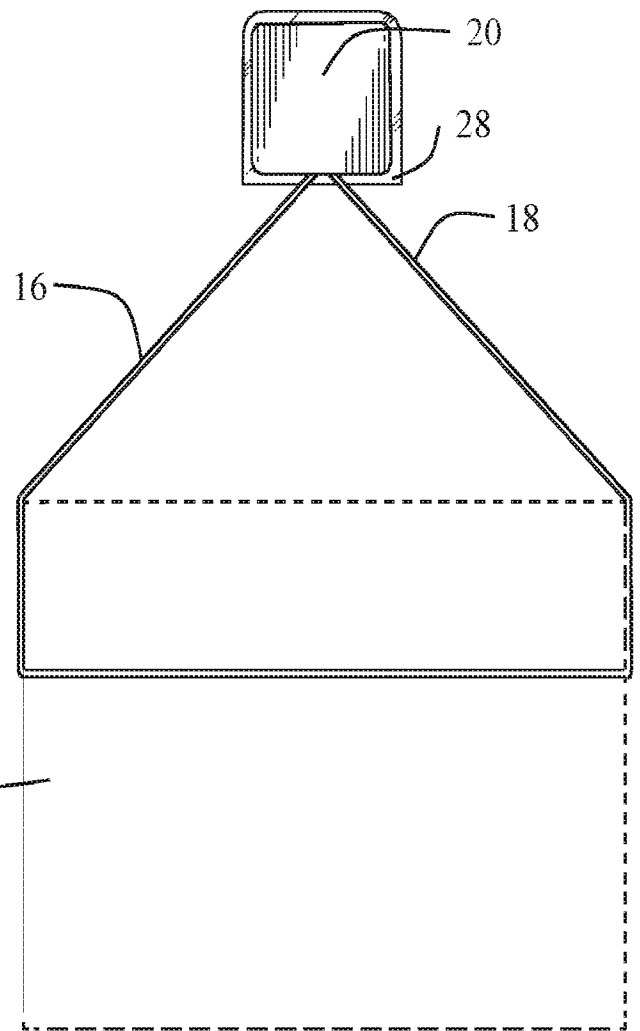
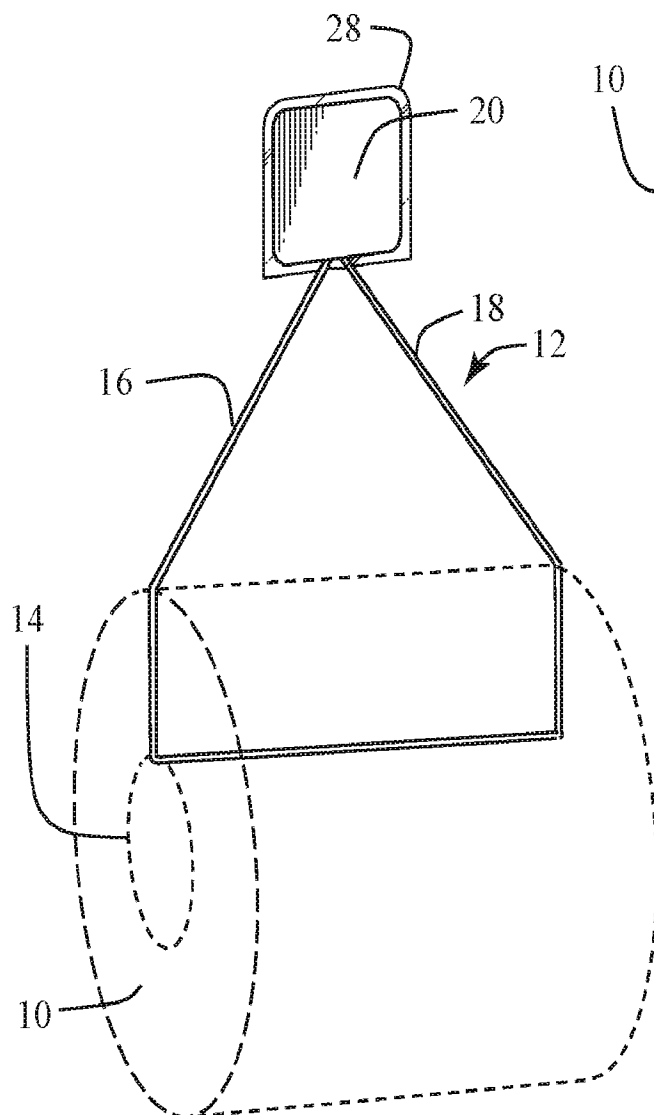
3. The holder of claim 2 wherein each leg is secured at its end to the patch.

4. The holder of claim 2 wherein one end of one leg of the cordage is fixed at a distal point below the patch to the other leg, the end of which is secured to the patch.

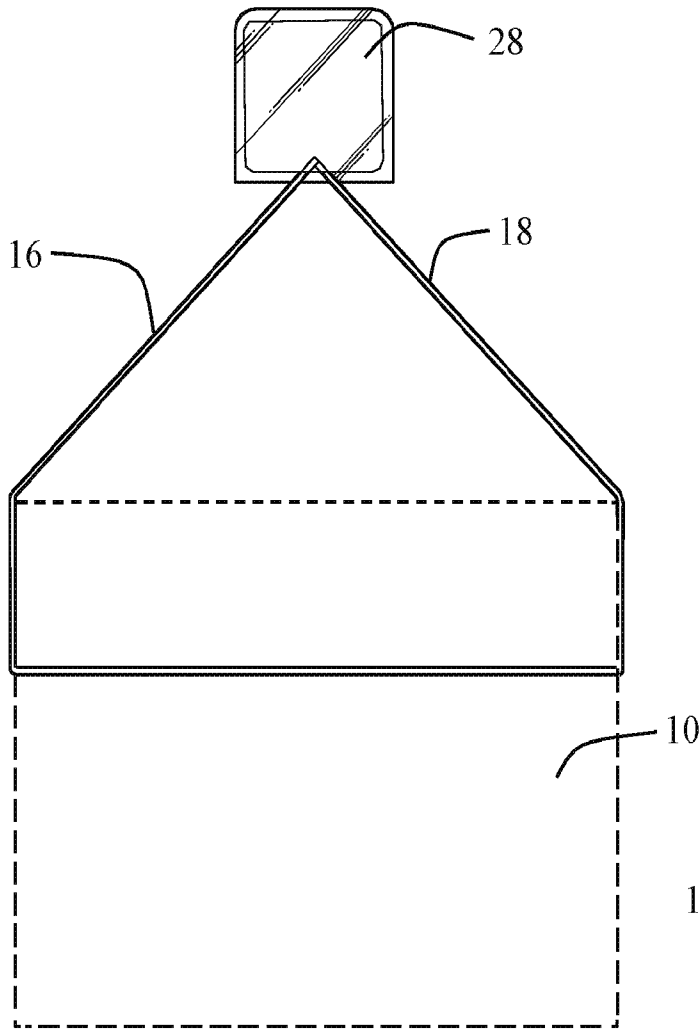
5. An assembly of a roll of toilet paper or a roll of absorbent sheet material and a holder for the roll of toilet paper or the roll of absorbent sheet material, the holder being constructed to have one side mountable directly to a surface of a wall, the holder-comprising a patch having an adhesive surface covered by a release sheet on said side and cordage being inserted through a roll core and directly secured to the adhesive surface of the patch, the assembly of the patch and cordage supporting the roll suspended by the cordage by adhesion of the patch directly to the surface of a wall, the patch consisting of paper, cloth or thin plastic sheet, wherein the cordage comprises a single cord with two legs for extending from a supported roll, each leg being secured at its end to the patch.

6. The assembly of claim 5 wherein one end of one leg of the cordage is fixed at a distal point below the patch to the other leg, the end of which is secured to the patch.

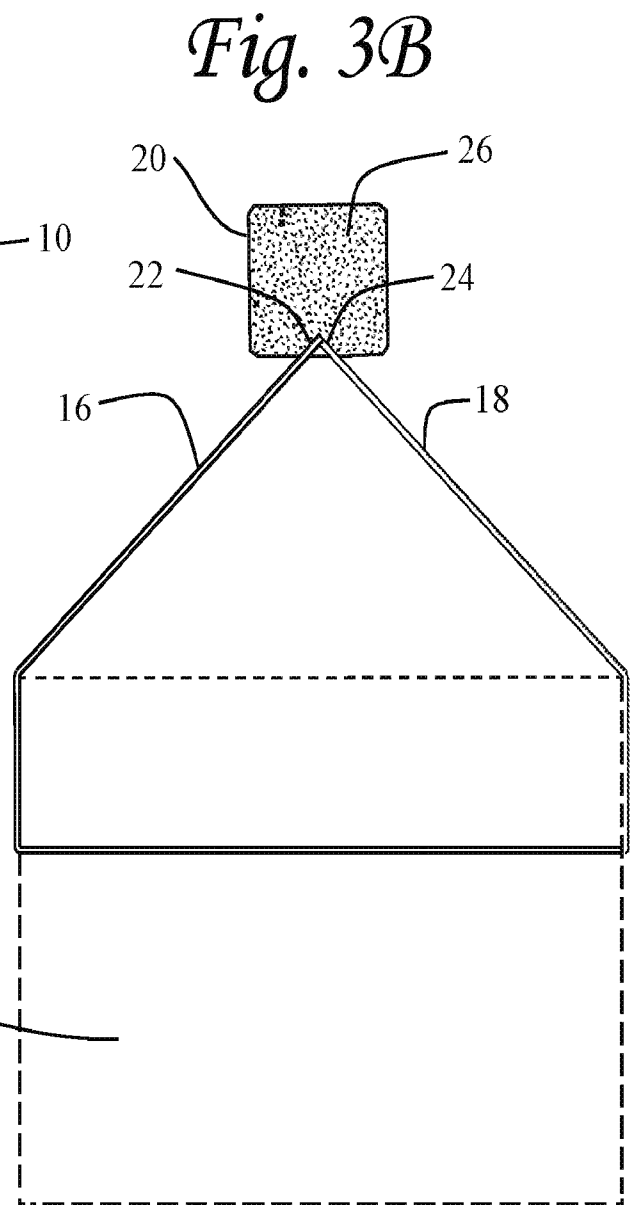
*Fig. 1*



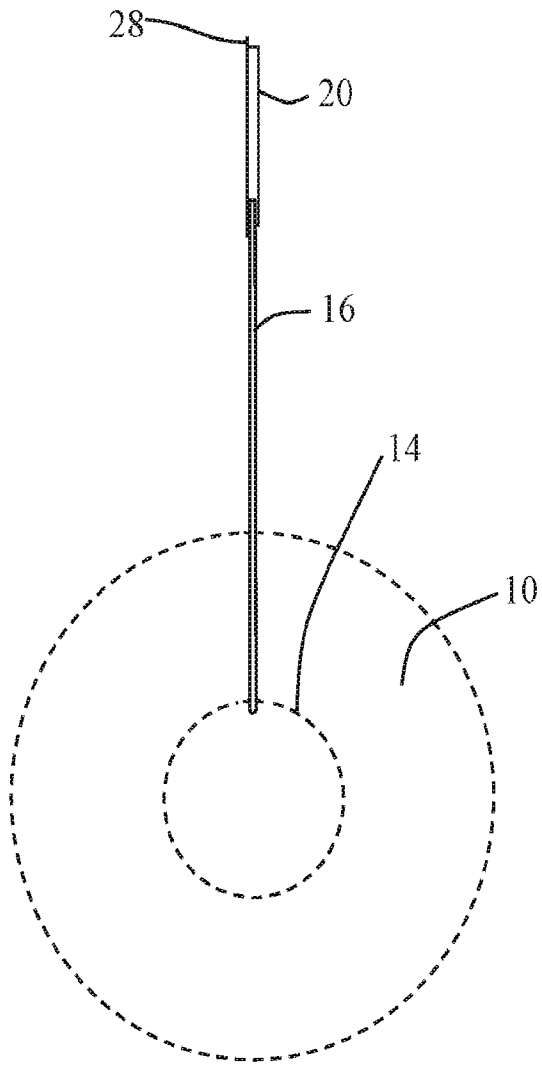
*Fig. 2*



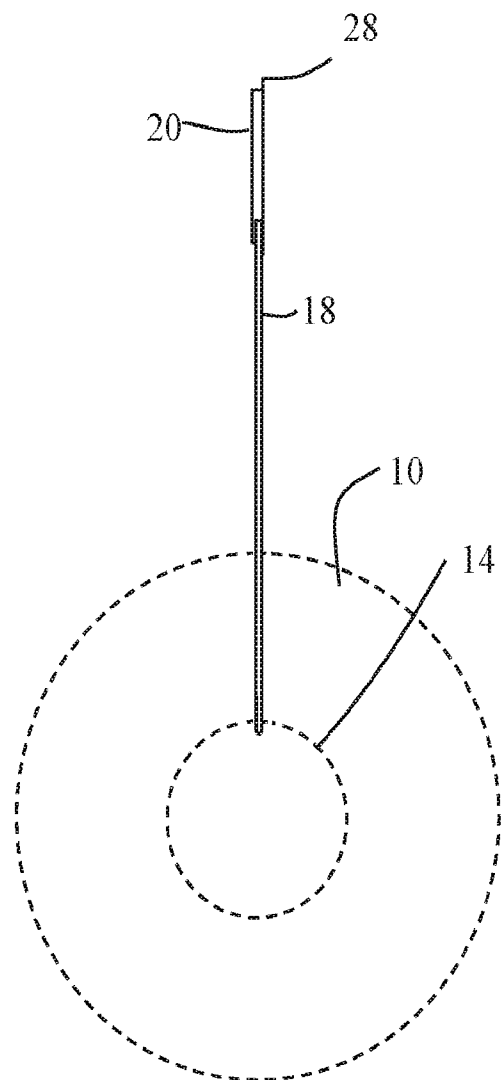
*Fig. 3A*

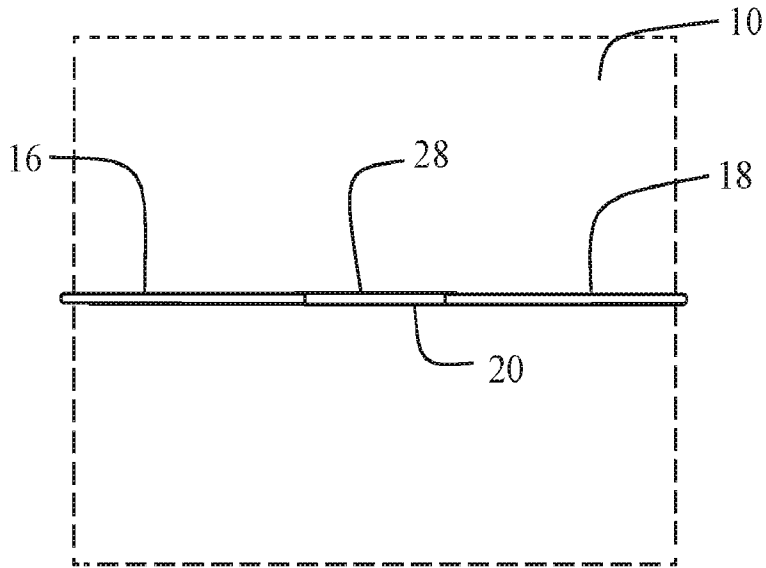


*Fig. 4*

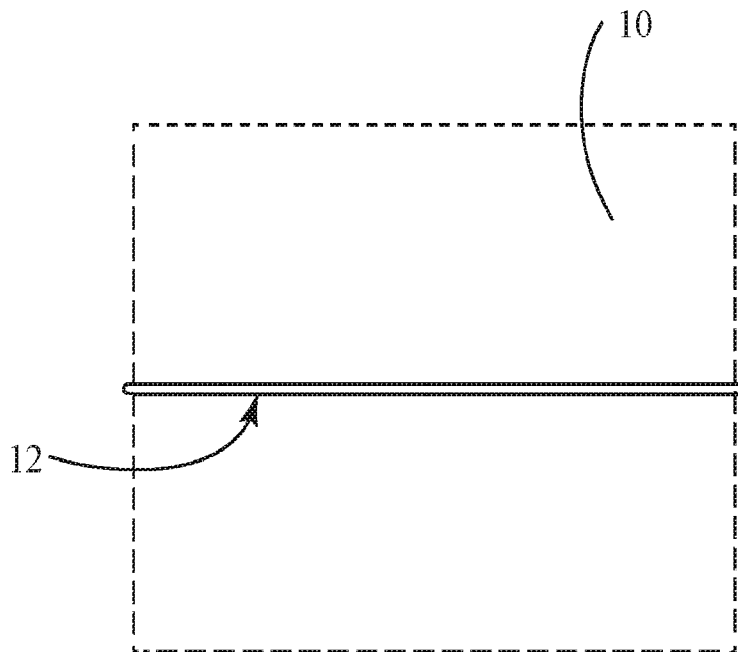


*Fig. 5*

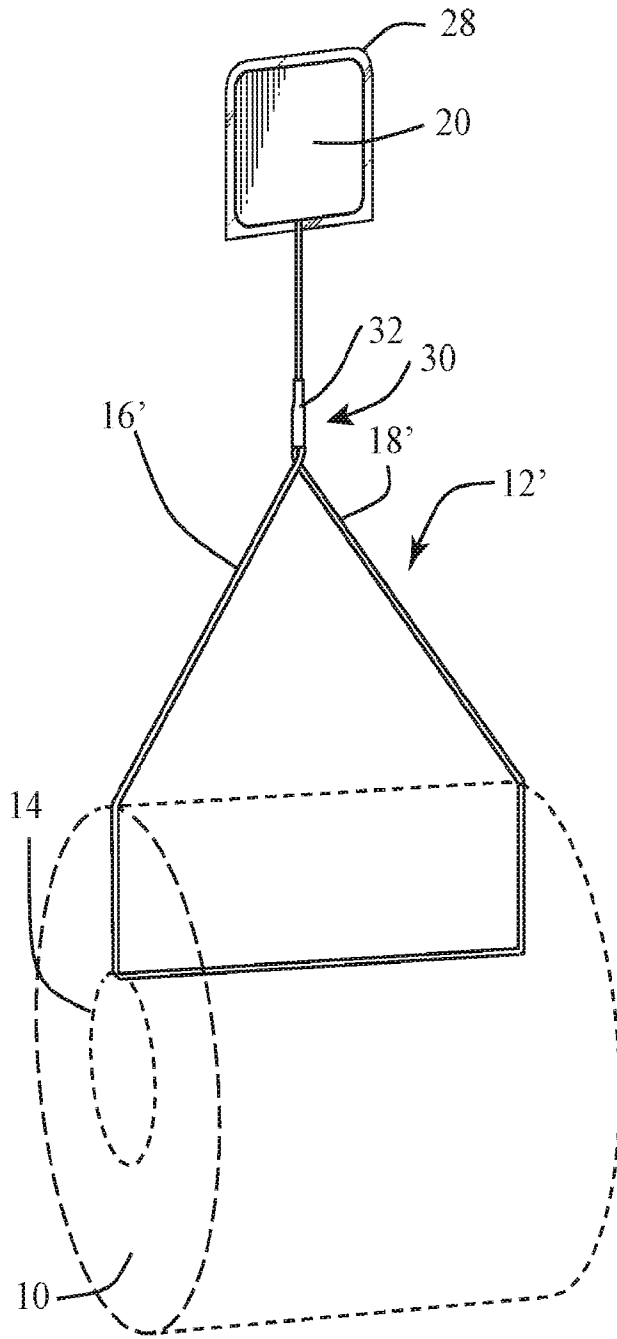




*Fig. 6*

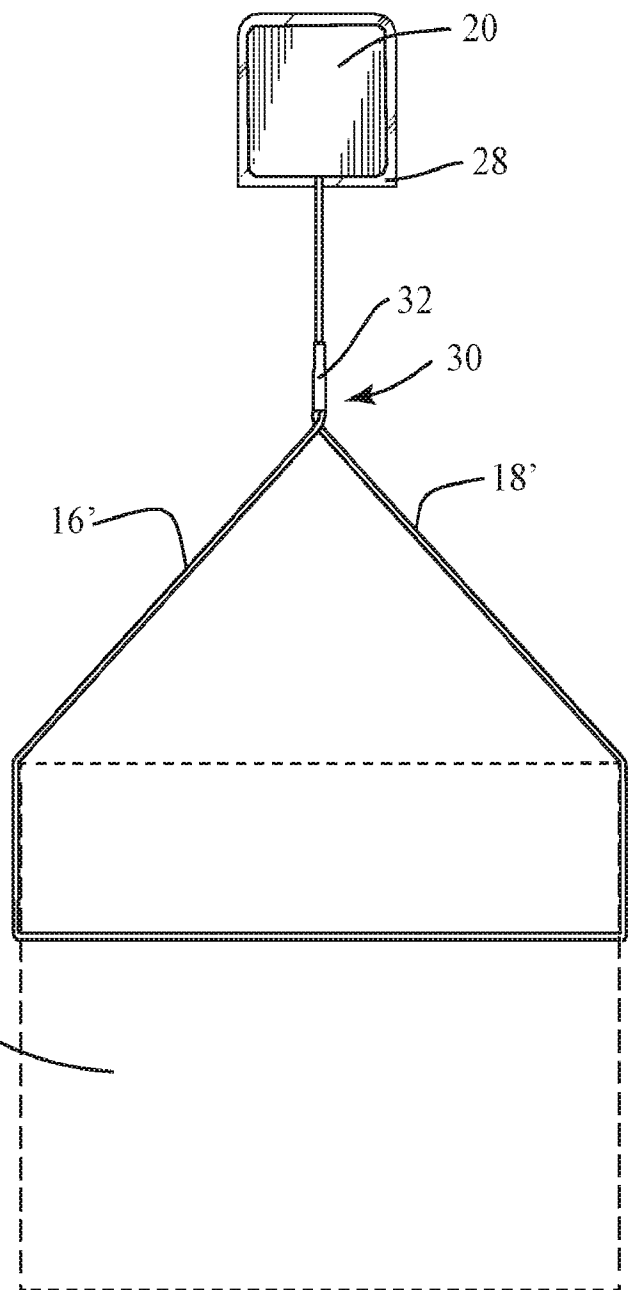


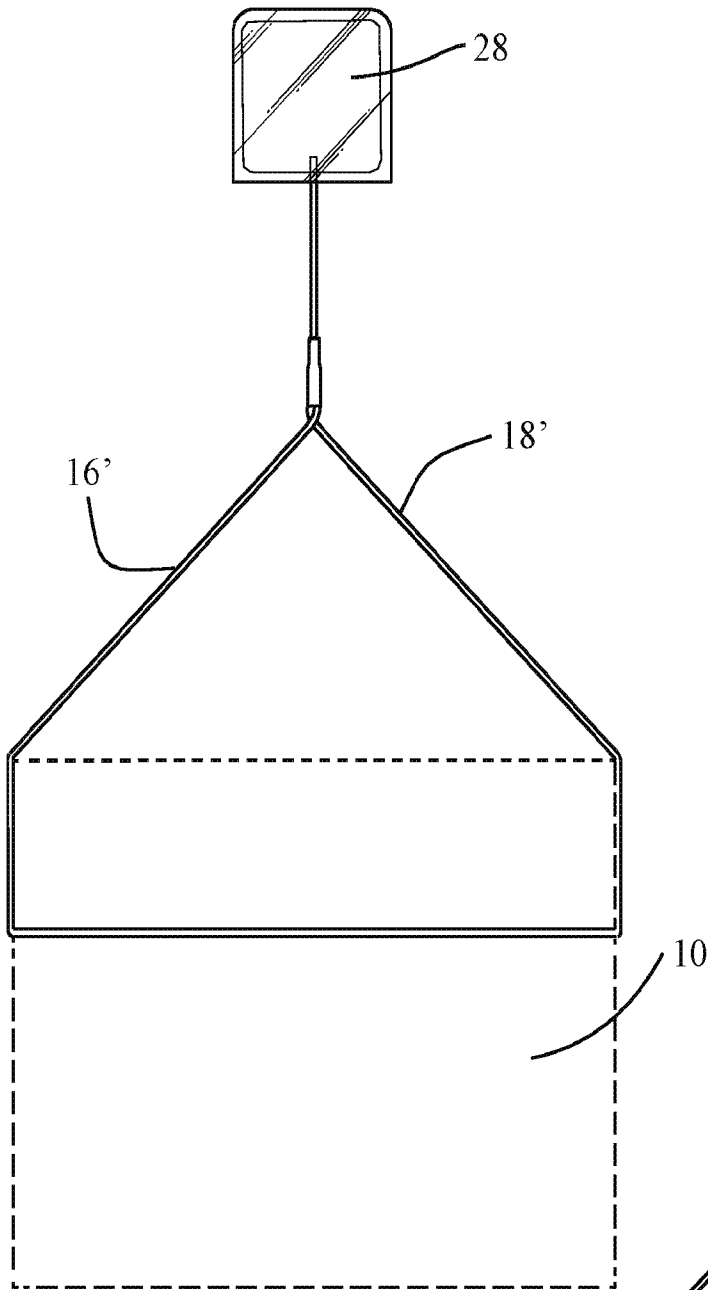
*Fig. 7*



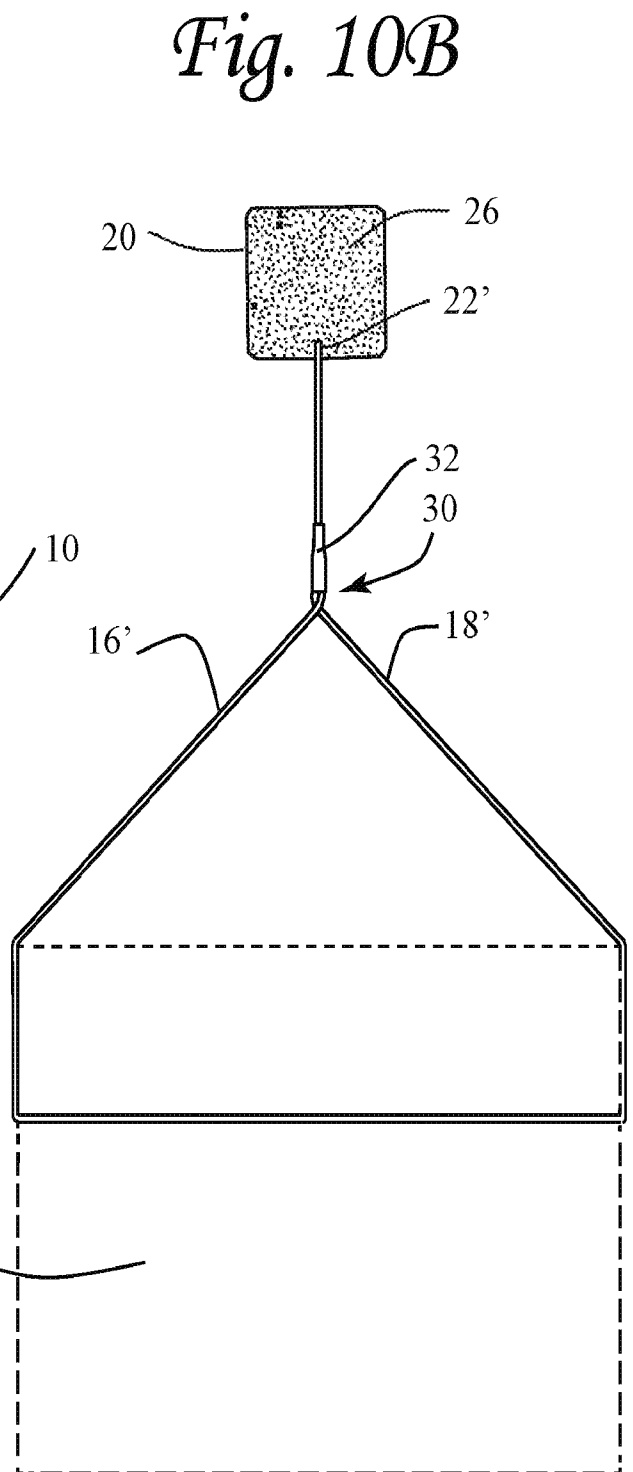
*Fig. 8*

*Fig. 9*

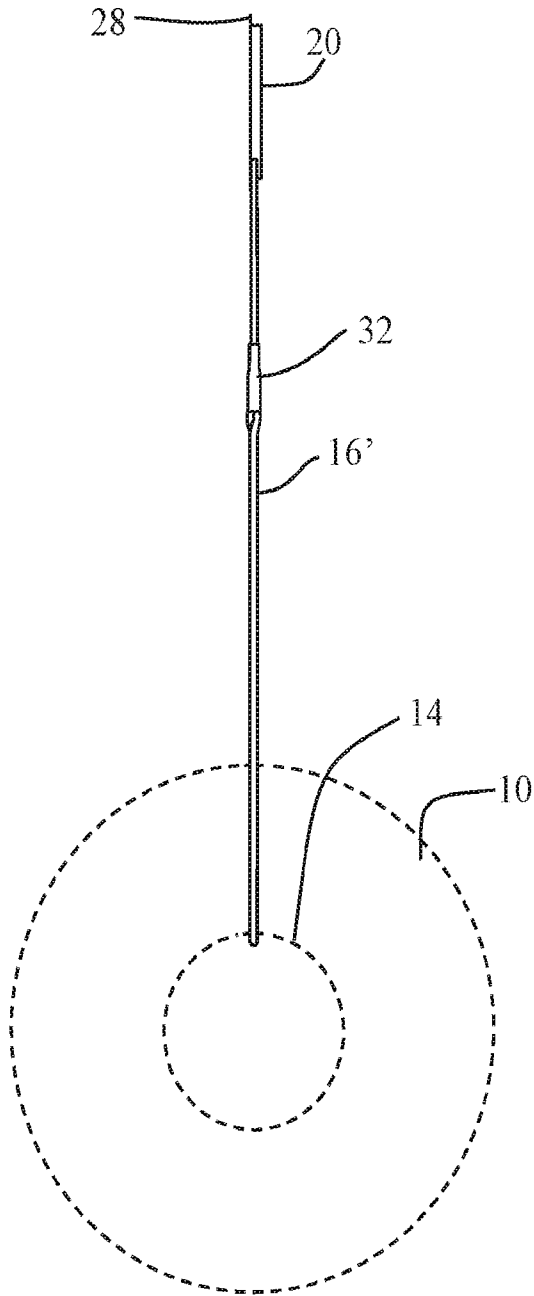




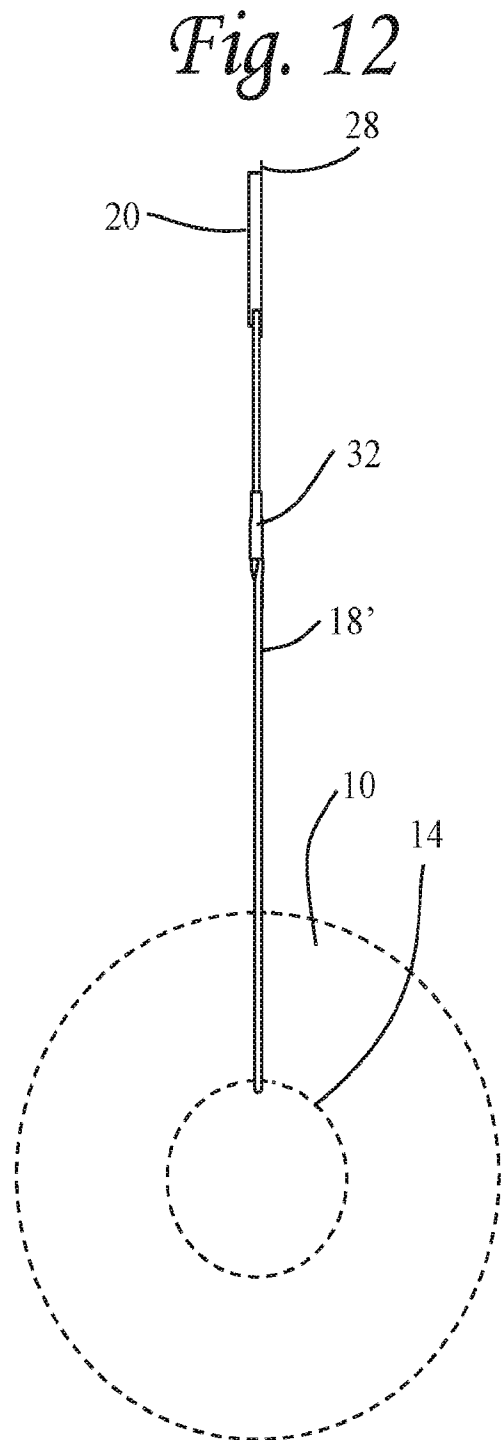
*Fig. 10A*



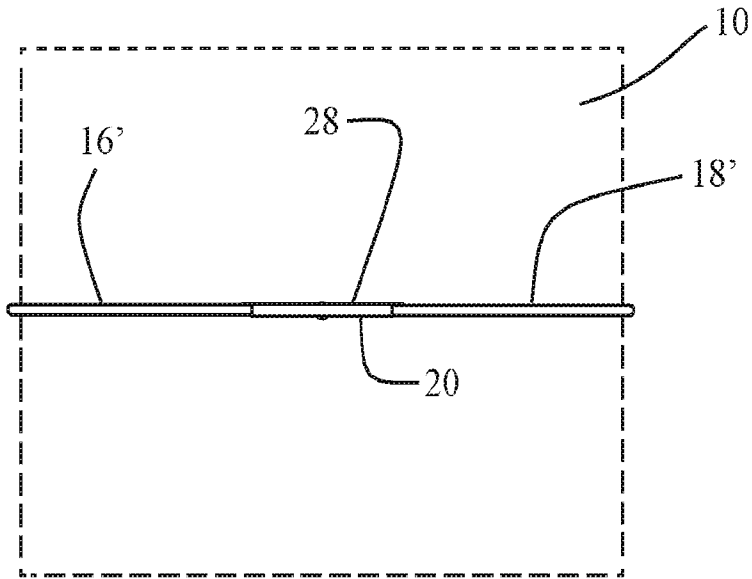
*Fig. 10B*



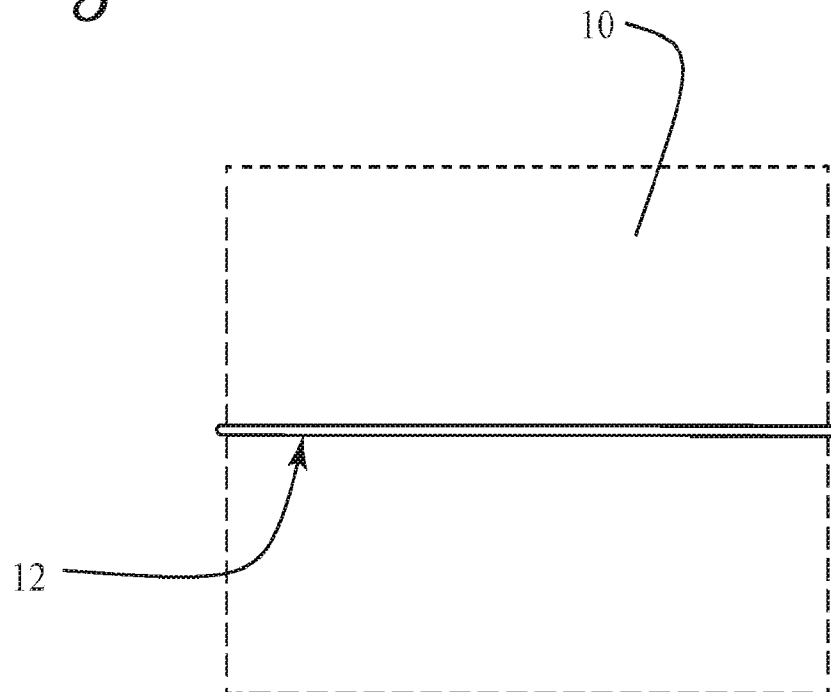
*Fig. 11*



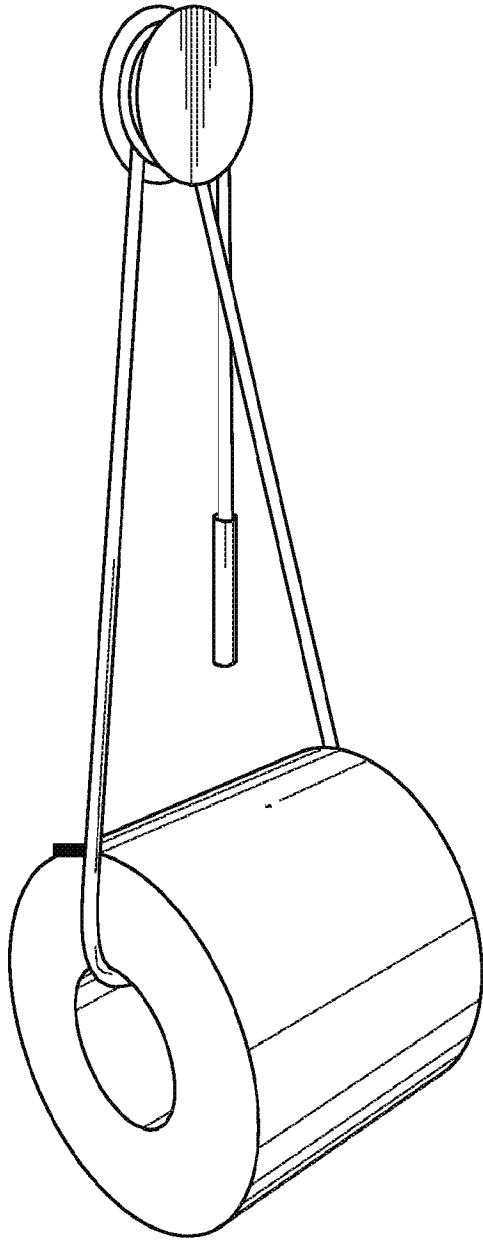




*Fig. 13*



*Fig. 14*



*Fig. 15A*  
Prior Art



*Fig. 15B*  
Prior Art

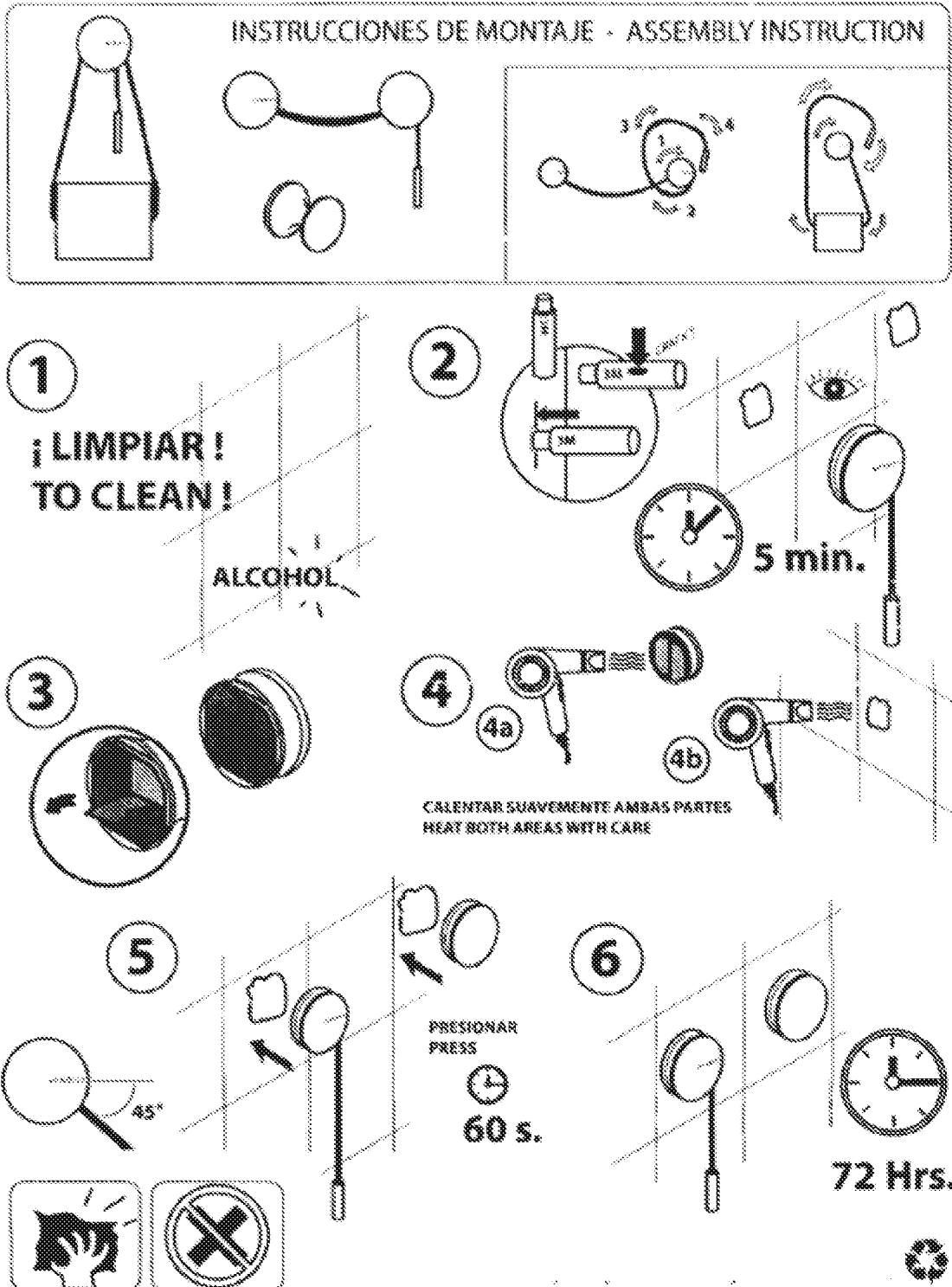


Fig. 15C

Prior Art