



US00D780084S

(12) **United States Design Patent**
Scheer et al.

(10) **Patent No.:** **US D780,084 S**

(45) **Date of Patent:** **** Feb. 28, 2017**

(54) **VEHICLE WHEEL**

(71) Applicant: **GM GLOBAL TECHNOLOGY OPERATIONS LLC**, Detroit, MI (US)

(72) Inventors: **Richard F. Scheer**, Bloomfield Township, MI (US); **Morio Ikeda**, Sao Paulo (BR); **Eduardo H. Mine**, Sao Caetano Sul (BR); **Lamildson Rolin**, Sao Caetano Do Sul (BR); **Danilo C. Rodrigues**, Sao Paulo (BR)

(73) Assignee: **GM Global Technology Operations LLC**, Detroit, MI (US)

(**) Term: **15 Years**

(21) Appl. No.: **29/536,447**

(22) Filed: **Aug. 17, 2015**

(51) **LOC (10) Cl.** **12-16**

(52) **U.S. Cl.**
USPC **D12/209**

(58) **Field of Classification Search**
USPC D12/204–213
CPC B60B 7/00; B60B 7/02; B60B 7/04;
B60B 7/01; B60B 7/06; B60B 3/02; B60B 3/04; B60B 3/06; B60B 3/10; B60B 1/00;
B60B 1/08; B60B 1/10; B60B 1/12
See application file for complete search history.

(56) **References Cited**

U.S. PATENT DOCUMENTS

D422,959 S * 4/2000 Hussaini D12/211
D532,739 S * 11/2006 Ettensberger D12/211

D608,711 S * 1/2010 Juergens D12/209
D638,770 S * 5/2011 Chung D12/211
D660,762 S * 5/2012 Gabath D12/209
D660,771 S * 5/2012 Mueller-Stolz D12/211
D696,176 S * 12/2013 Rojas D12/209
D713,314 S * 9/2014 Platto D12/209
D724,513 S * 3/2015 Wolff D12/209
D724,516 S * 3/2015 Di Buduo D12/211
D730,798 S * 6/2015 Diephuis D12/209
D732,449 S * 6/2015 Grake D12/209
D755,105 S * 5/2016 Garbas D12/211

* cited by examiner

Primary Examiner — Stacia Cadmus

(74) *Attorney, Agent, or Firm* — Reising Ethington P.C.

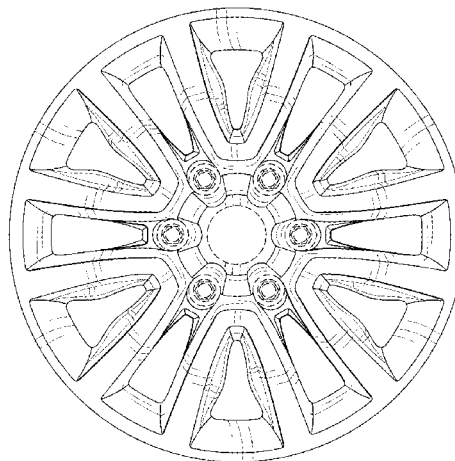
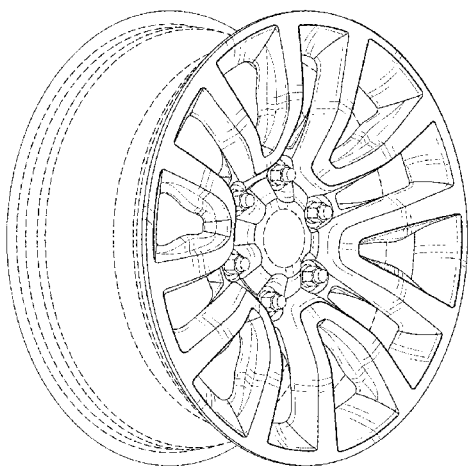
(57) **CLAIM**

The ornamental design for a vehicle wheel, as shown and described.

DESCRIPTION

FIG. 1 is a front perspective view of the vehicle wheel; FIG. 2 is a front view thereof; FIG. 3 is a side view thereof; FIG. 4 is another side view thereof; FIG. 5 is a rear view thereof; and, FIG. 6 is a rear perspective view thereof. In the drawings, the broken lines depict environmental subject matter only and form no part of the claimed design.

1 Claim, 3 Drawing Sheets



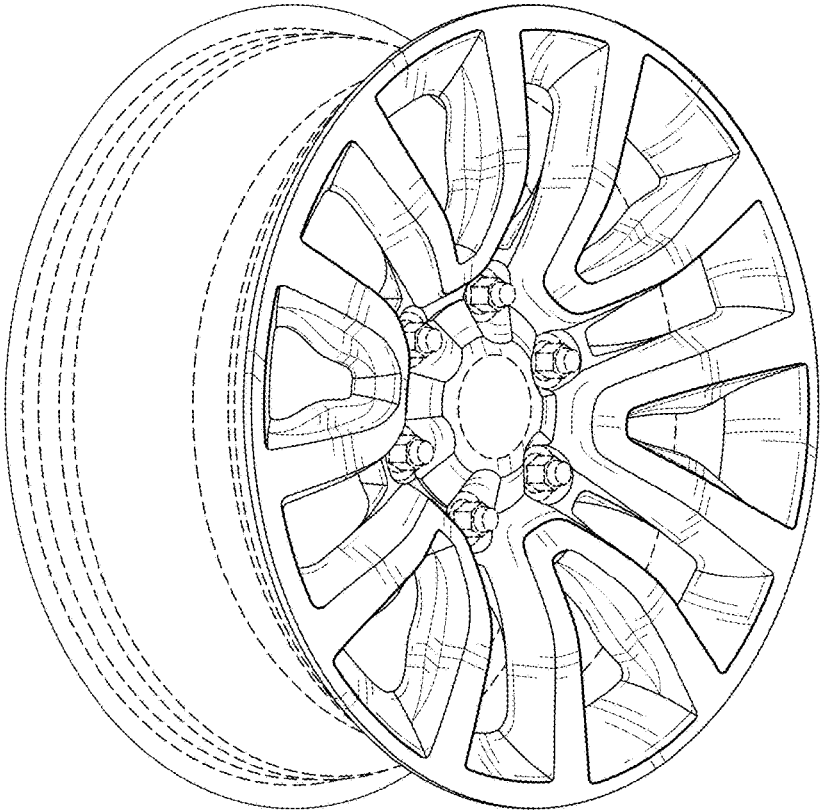


Fig. 1

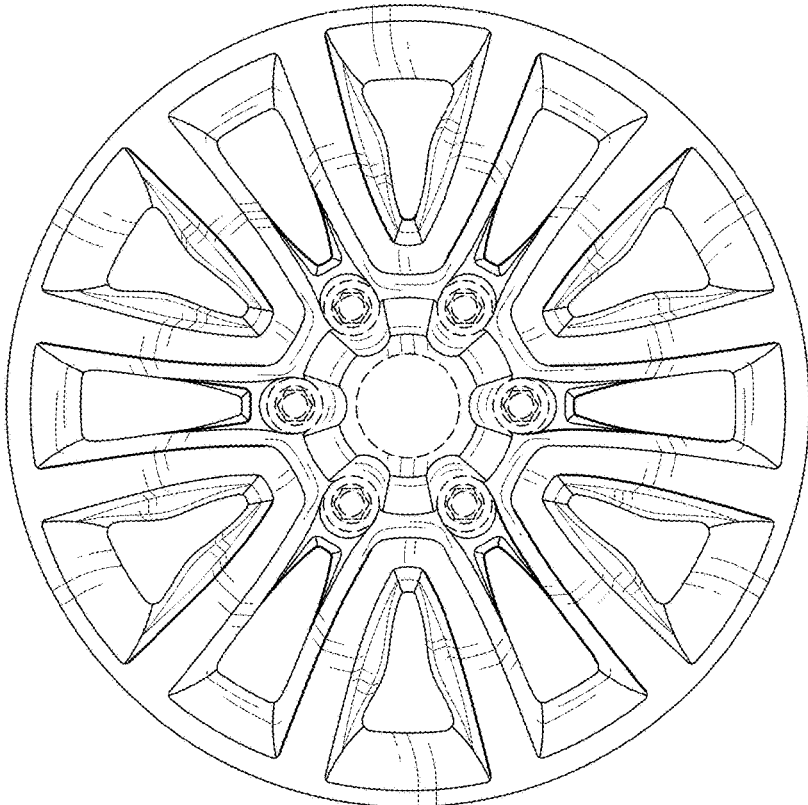


Fig. 2

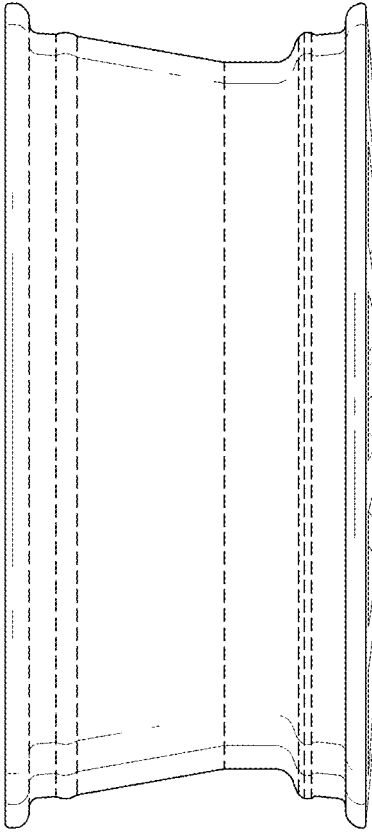


Fig. 3

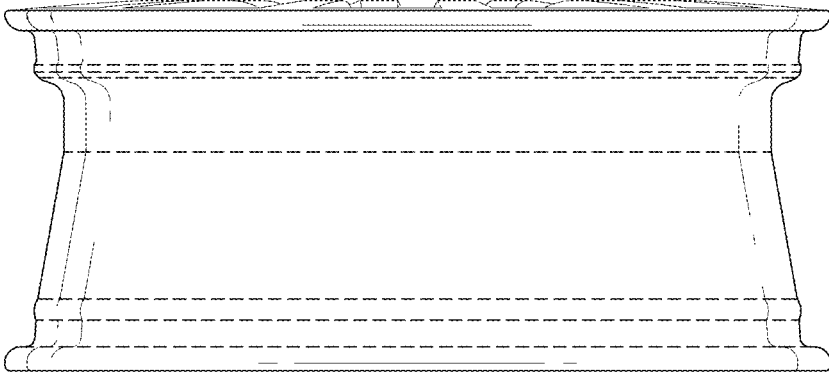


Fig. 4

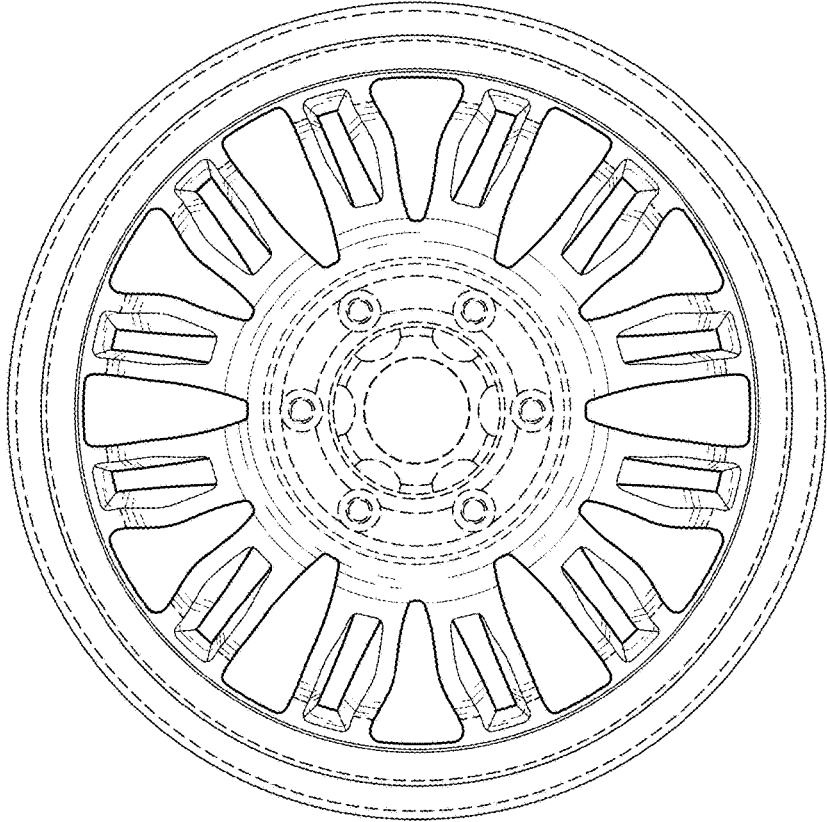


Fig. 5

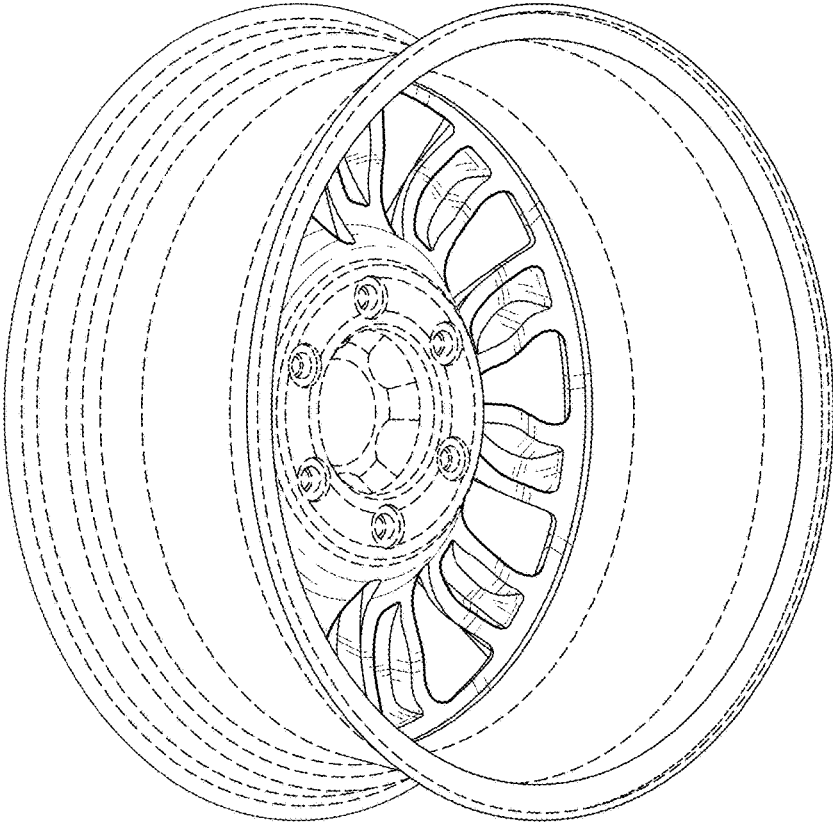


Fig. 6