



US00D378043S

United States Patent [19]

[11] **Patent Number:** **Des. 378,043**

Ogura

[45] **Date of Patent:** ****Feb. 18, 1997**

[54] **SCISSORS**

618585 2/1984 Japan .
619137 2/1984 Japan .

[75] Inventor: **Motoshi Ogura**, Gifu-ken, Japan

[73] Assignee: **Kai R & D Center Co., Ltd.**, Seki, Japan

[**] Term: **14 Years**

Primary Examiner—Ted Shooman
Assistant Examiner—Adir Aronovich
Attorney, Agent, or Firm—Stetina Brunda & Buyan

[21] Appl. No.: **41,316**

[57] **CLAIM**

[22] Filed: **Jul. 11, 1995**

The ornamental design for scissors, as shown and described.

[30] **Foreign Application Priority Data**

DESCRIPTION

Mar. 3, 1995 [JP] Japan 7-5788

[52] **U.S. Cl.** **D8/57**

[58] **Field of Search** D8/57, 98; 7/125, 7/132-135, 151; 30/252-255, 232, 233

FIG. 1 is a front elevational view of scissors in an open position showing a new design;

FIG. 2 is a front elevational view thereof when the scissors are in a closed position;

FIG. 3 is a rear elevational view thereof;

FIG. 4 is a plan view thereof, as seen from the top of FIG. 2;

FIG. 5 is a plan view thereof, as seen from the bottom of FIG. 2;

FIG. 6 is a cross-sectional view thereof taken along the line 6-6 in FIG. 2;

FIG. 7 is a side view thereof, as seen from the left of FIG. 2; and,

FIG. 8 is a side view thereof, as seen from the right of FIG. 2.

[56] **References Cited**

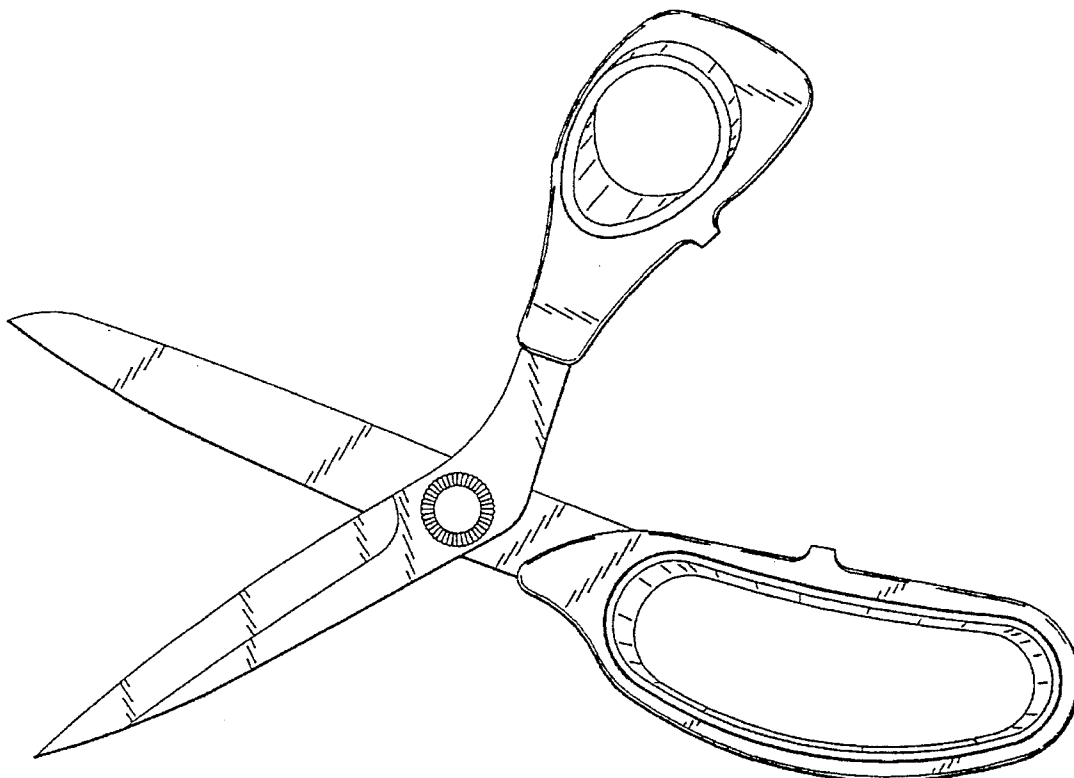
U.S. PATENT DOCUMENTS

D. 234,117	1/1975	Laurenti	D8/57
D. 245,569	8/1977	Ferguson	D8/57
D. 249,631	9/1978	Hellmann	D8/57
D. 279,760	7/1985	Asano	D8/57
D. 353,087	12/1994	Ramsey et al.	D8/57
944,925	12/1909	Tippery	30/233
3,869,792	3/1975	Laurenti	30/254

FOREIGN PATENT DOCUMENTS

2400524	6/1975	Germany	30/254
---------	--------	---------	-------	--------

1 Claim, 2 Drawing Sheets



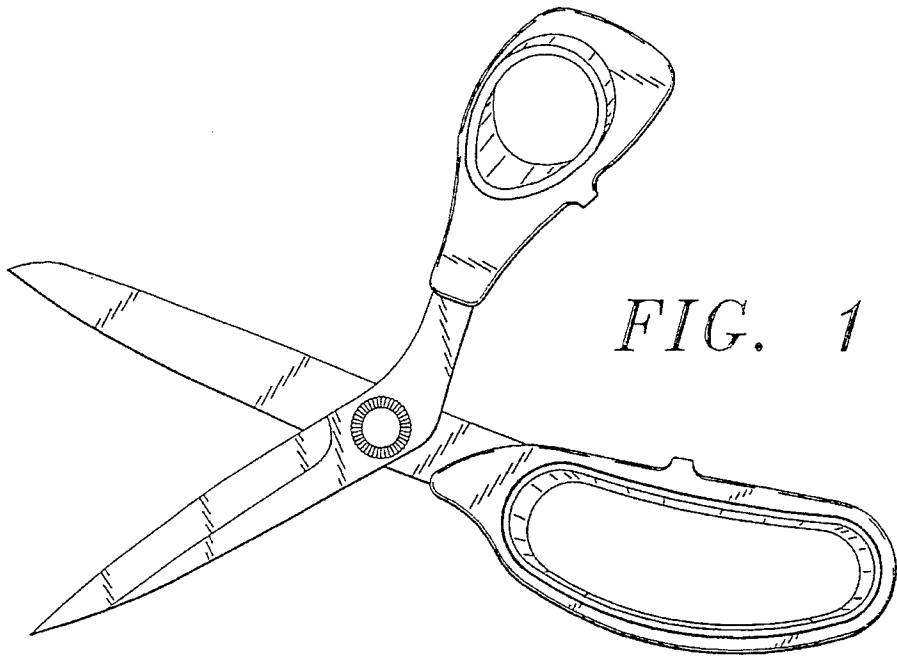


FIG. 1

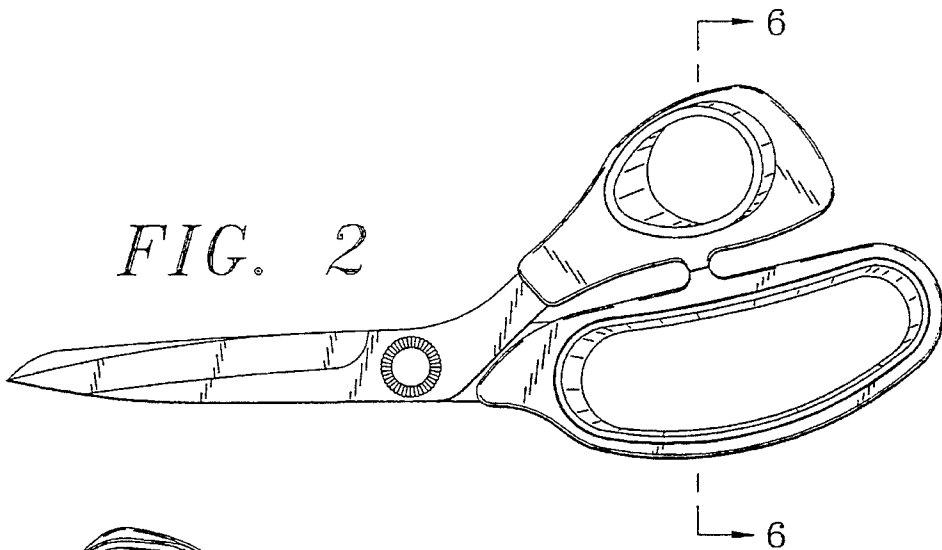


FIG. 2

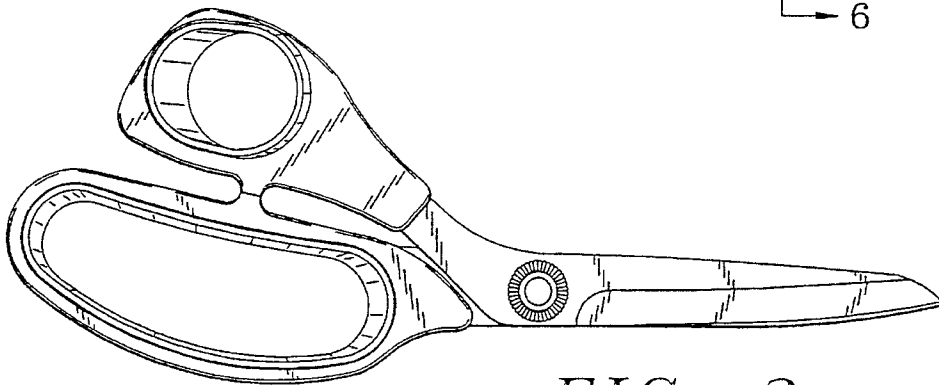


FIG. 3

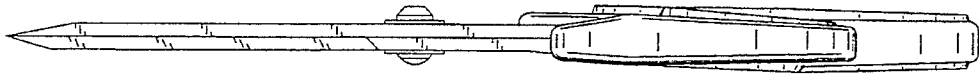


FIG. 4

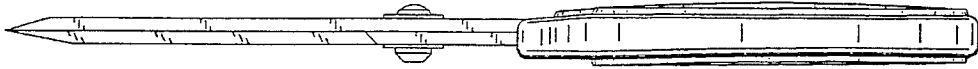


FIG. 5



FIG. 6



FIG. 7



FIG. 8