



US0D1008317S

(12) **United States Design Patent**
McEwen et al.

(10) **Patent No.:** **US D1,008,317 S**

(45) **Date of Patent:** **** Dec. 19, 2023**

(54) **CUTTING BLADE FOR A MOWING SYSTEM**

(71) Applicant: **TRIMAX MOWING SYSTEMS NZ LIMITED**, Greerton Tauranga (NZ)

(72) Inventors: **James Iain McEwen**, Tauranga (NZ); **Jason Deans Cansfield Low**, Maunganui (NZ); **Jason John Cheetham**, Tauranga (NZ); **Kieran Gerard O'Mahony**, Tauranga (NZ); **Thomas Allan Archbold**, Tauranga (NZ)

(73) Assignee: **TRIMAX MOWING SYSTEMS NZ LIMITED**, Greerton Tauranga (NZ)

(**) Term: **15 Years**

(21) Appl. No.: **29/811,463**

(22) Filed: **Oct. 14, 2021**

(30) **Foreign Application Priority Data**

Apr. 15, 2021 (NZ) 428810

(51) **LOC (14) Cl.** **15-03**

(52) **U.S. Cl.**

USPC **D15/17**

(58) **Field of Classification Search**

USPC D8/4, 5, 6, 7, 8, 9, 10, 11, 12, 16, 20; D15/17, 14, 28

CPC A01D 34/67; A01D 34/69; A01D 34/4168; A01D 34/47; A01D 34/53; A01D 34/005; A01D 34/03; A01D 34/412; A01D 34/416; A01D 34/4165; A01D 34/00; A01D 34/043; A01D 34/63; A01D 34/661; A01D 34/664; A01D 34/73; A01D 34/006; A01D 34/64; A01D 34/82; A01D 34/001; A01D 34/008; A01D 34/828; A01D 34/74; A01D 34/78; A01D 34/824; A01D 2101/00; A01D 43/063; A01D 43/077; A01D 43/14; A01D

(Continued)

(56) **References Cited**

U.S. PATENT DOCUMENTS

4,995,228 A 2/1991 Hladik, Jr.

5,094,065 A 3/1992 Azbell

(Continued)

FOREIGN PATENT DOCUMENTS

EP 0 430 281 A1 6/1991

OTHER PUBLICATIONS

Nexa Blades, available in trimaxmowers.com, no date found [online], [site visited Mar. 16, 2023], Internet URL:https://trimaxmowers.com/nexablades/ (Year: 2023).*

(Continued)

Primary Examiner — Calvin E Vansant

Assistant Examiner — Eidiol Ghigliotty Torres

(74) *Attorney, Agent, or Firm* — TAROLLI, SUNDHEIM, COVELL & TUMMINO L.L.P.

(57) **CLAIM**

The ornamental design for a cutting blade for a mowing system, as shown and described.

DESCRIPTION

FIG. 1 is a first perspective view of a cutting blade for a mowing system illustrating our ornamental design in accordance with a first embodiment;

FIG. 2 is a second perspective view thereof;

FIG. 3 is a first side elevation view thereof;

FIG. 4 is a second side elevation view thereof;

FIG. 5 is a top plan view thereof;

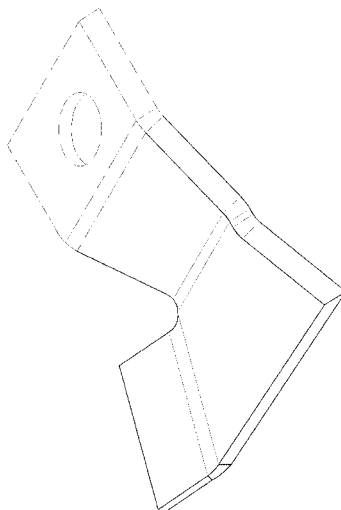
FIG. 6 is a rear plan view thereof;

FIG. 7 is a third side elevation view thereof; and,

FIG. 8 is a fourth side elevation view thereof.

In the drawings, the dashed dot lines depict environmental subject matter only and form no part of the claimed design.

1 Claim, 8 Drawing Sheets



(58) **Field of Classification Search**
 CPC 42/005; A01D 42/04; Y10S 56/17; Y10S
 56/20
 See application file for complete search history.

D743,448	S *	11/2015	Nelson	D15/17
D812,443	S *	3/2018	Gonzalez	D8/20
10,188,031	B2	1/2019	Carlson et al.	
D854,052	S *	7/2019	Jensen	D15/17
D873,866	S *	1/2020	Jensen	D15/17
D902,262	S *	11/2020	Hoover	D15/17
D949,206	S *	4/2022	Cmich	D15/17
2005/0172601	A1	8/2005	Besogne	
2010/0000193	A1	1/2010	De Benedetto et al.	
2013/0239538	A1	9/2013	Gohsman	
2014/0196428	A1	7/2014	Shiotsuki et al.	
2015/0047308	A1	2/2015	Schreiner	
2022/0369548	A1*	11/2022	Cheetham	A01D 34/73

(56) **References Cited**

U.S. PATENT DOCUMENTS

D338,607	S *	8/1993	Anderson	D8/98
5,284,006	A	2/1994	Sheldon	
5,291,725	A	3/1994	Meinerding	
5,299,414	A	4/1994	Long	
5,410,866	A	5/1995	Long	
5,473,873	A	12/1995	Sheldon	
5,501,068	A	3/1996	Martz	
5,515,670	A	5/1996	Meinerding	
5,615,542	A	4/1997	Thorud et al.	
5,711,141	A	1/1998	Pitman et al.	
D397,007	S *	8/1998	Schultz	D8/20
D406,502	S *	3/1999	Schultz	D8/20
6,052,979	A	4/2000	Tutschka	
6,301,868	B1	10/2001	Siplinger	
6,679,039	B2	1/2004	Deschamps et al.	
D627,797	S *	11/2010	Neuerburg	D15/17
D633,110	S *	2/2011	Neuerburg	D15/17
8,615,977	B2	12/2013	Campione	

OTHER PUBLICATIONS

Promotional specification for QuickHitch System RCF30 Series Dual Spindle Rotary Cutters, published on landpride.com. (1 page).
 Promotional specification for Spearhead MultiCut 460 Y20 Special Edition, published by Spearhead Machinery. (3 pages).
 Toro University Rotary Mower Basics Manual, Part No. 09167SL, Copyright The Toro Company. (28 pages).
 Wessex Proline Promotional specification for Generation 2 RMX Roller Mowers, Copyright Essex International 2021. (5 pages).

* cited by examiner

FIGURE 1

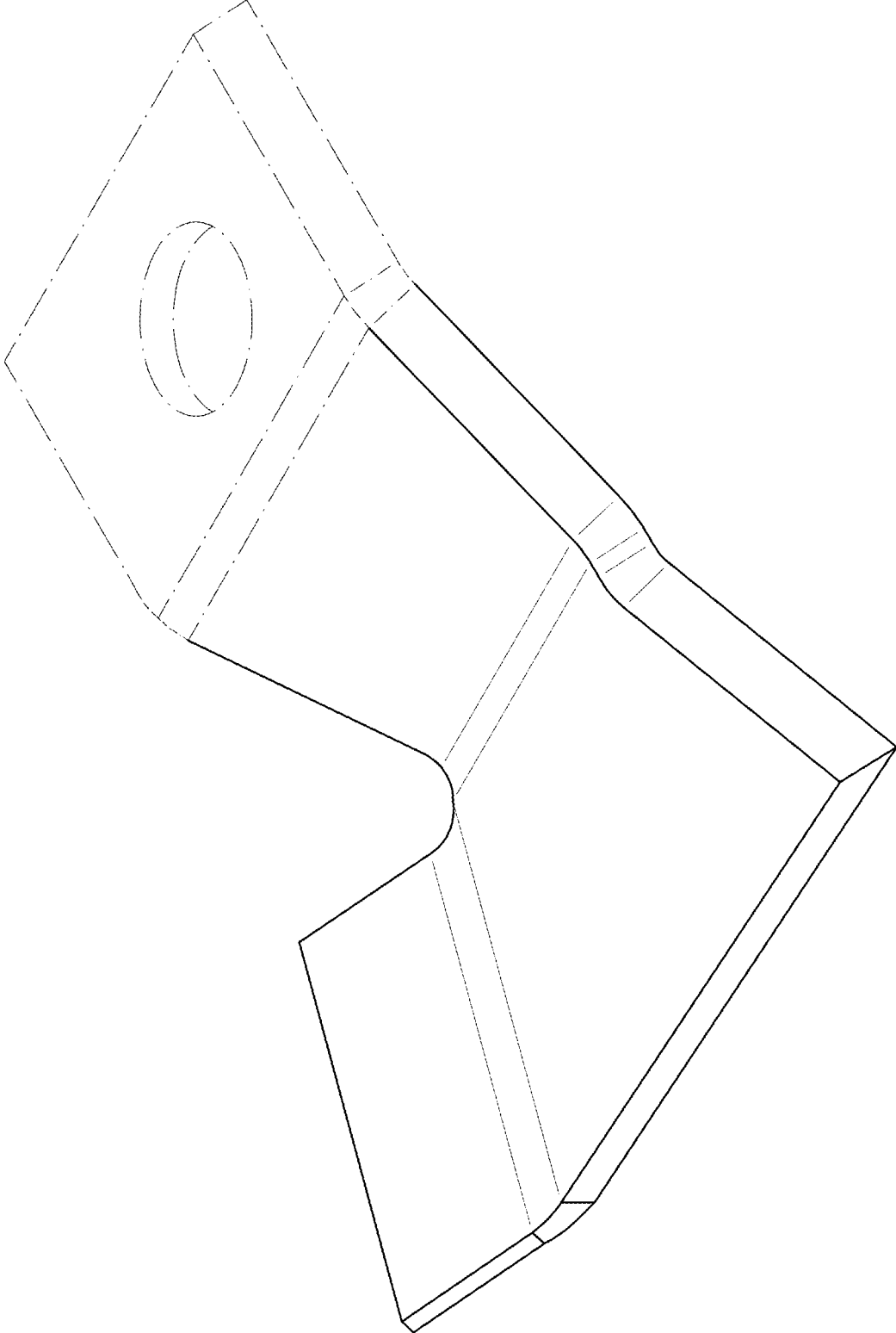


FIGURE 2

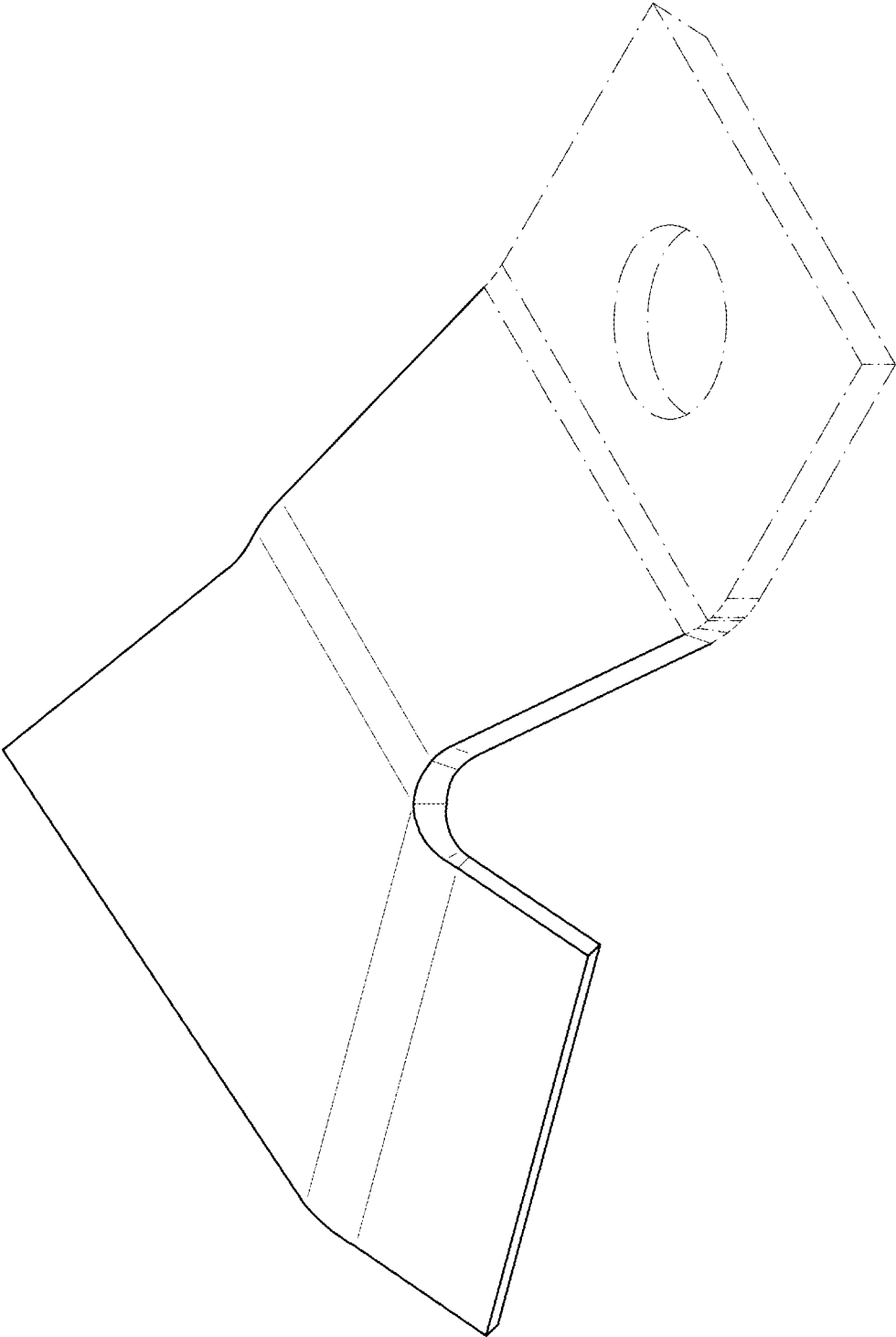


FIGURE 3

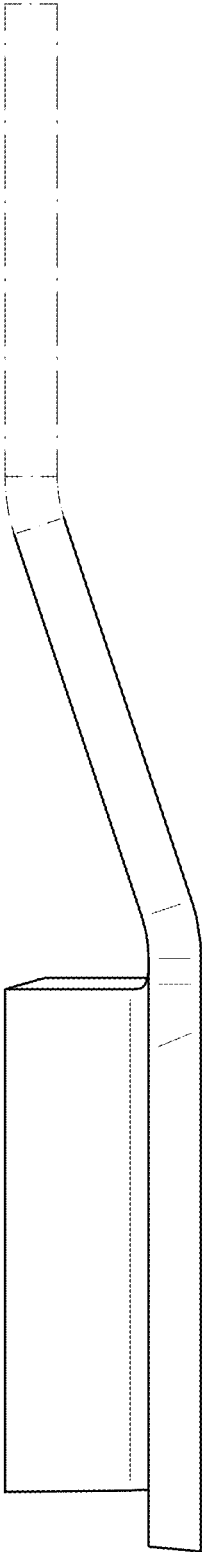


FIGURE 4

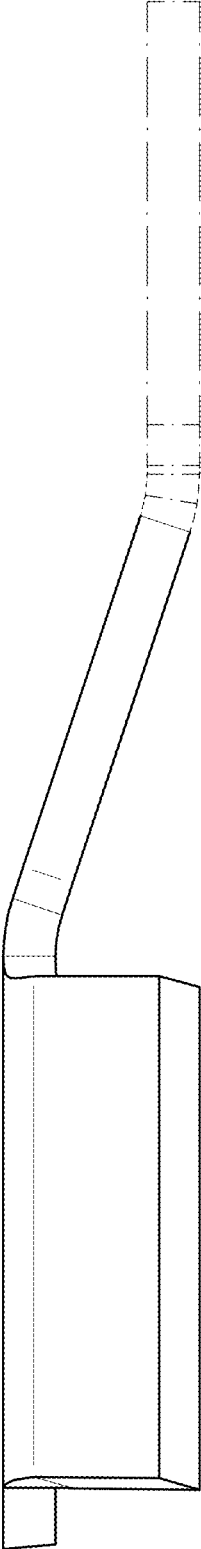


FIGURE 5

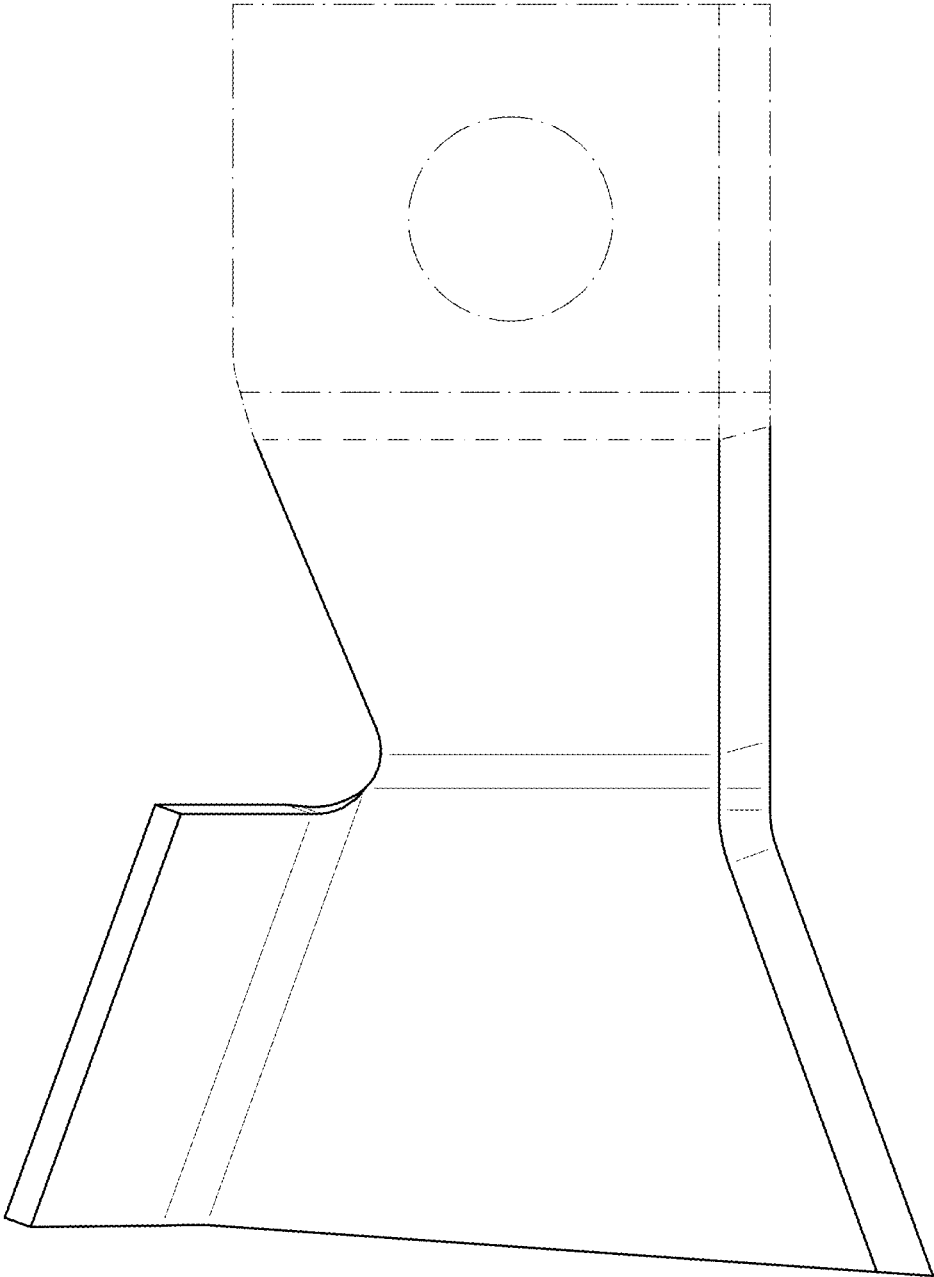


FIGURE 6

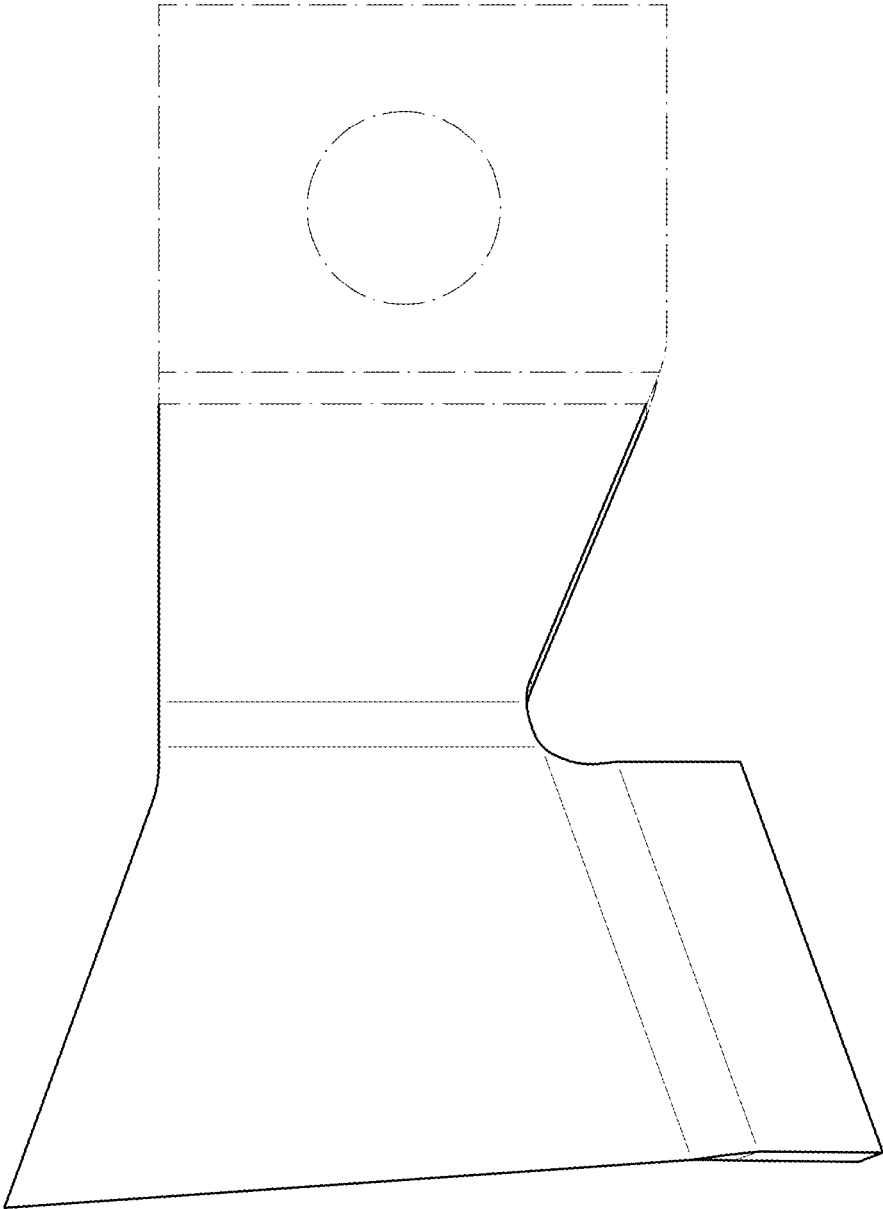


FIGURE 7

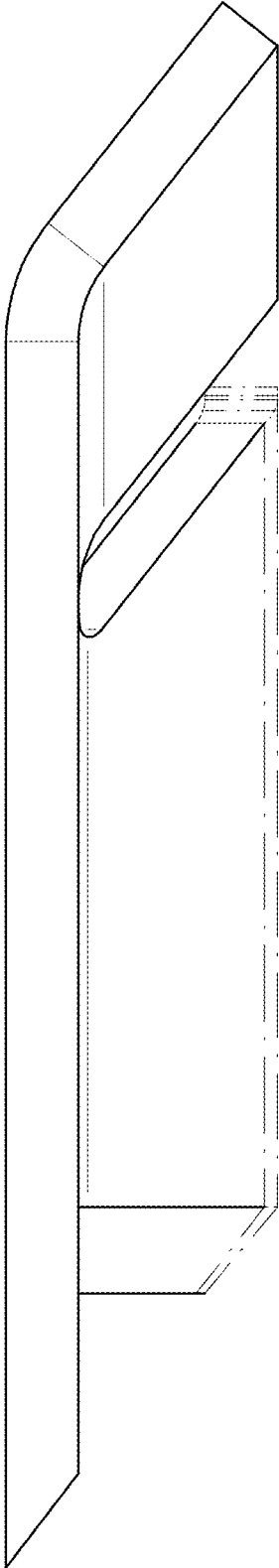


FIGURE 8

