

(19) World Intellectual Property Organization
International Bureau



(43) International Publication Date
27 September 2007 (27.09.2007)

PCT

(10) International Publication Number
WO 2007/109450 A3

(51) International Patent Classification:
A61M 31/00 (2006.01)

(74) Agent: SCHAMMEL, Bradley, S.; KV Pharmaceutical Company, 4080 B Wedgeway Court, Earth City, Missouri 63045 (US).

(21) International Application Number:
PCT/US2007/063801

(81) Designated States (unless otherwise indicated, for every kind of national protection available): AE, AG, AL, AM, AT, AU, AZ, BA, BB, BG, BR, BW, BY, BZ, CA, CH, CN, CO, CR, CU, CZ, DE, DK, DM, DZ, EC, EE, EG, ES, FI, GB, GD, GE, GH, GM, GT, HN, HR, HU, ID, IL, IN, IS, JP, KE, KG, KM, KN, KP, KR, KZ, LA, LC, LK, LR, LS, LT, LU, LY, MA, MD, MG, MK, MN, MW, MX, MY, MZ, NA, NG, NI, NO, NZ, OM, PG, PH, PL, PT, RO, RS, RU, SC, SD, SE, SG, SK, SL, SM, SV, SY, TJ, TM, TN, TR, TT, TZ, UA, UG, US, UZ, VC, VN, ZA, ZM, ZW.

(22) International Filing Date: 12 March 2007 (12.03.2007)

(25) Filing Language: English

(26) Publication Language: English

(30) Priority Data:
60/784,900 22 March 2006 (22.03.2006) US
11/684,009 9 March 2007 (09.03.2007) US

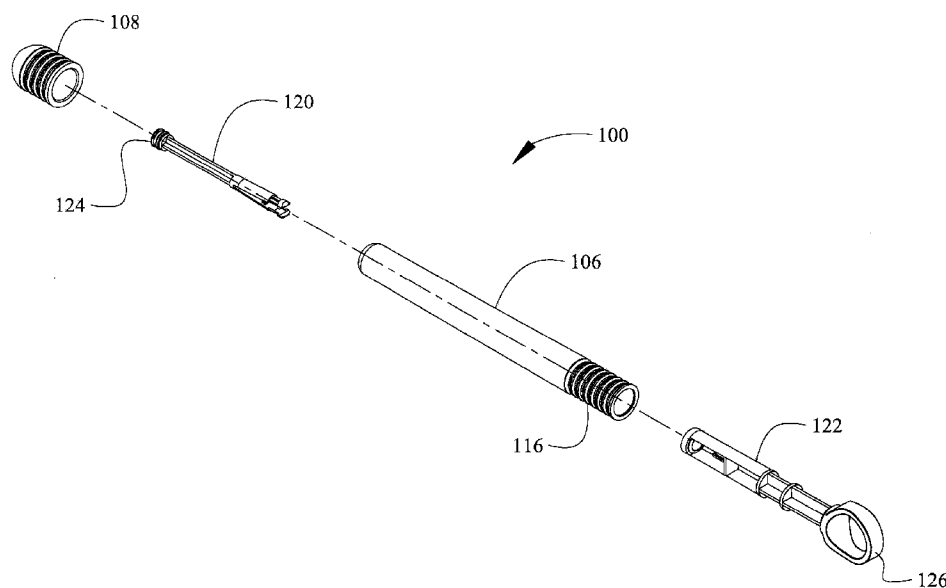
(71) Applicant (for all designated States except US):
DRUGTECH CORPORATION [US/US]; 300 Delaware Avenue, Suite 1270, Wilmington, DE 19801 (US).

(84) Designated States (unless otherwise indicated, for every kind of regional protection available): ARIPO (BW, GH, GM, KE, LS, MW, MZ, NA, SD, SL, SZ, TZ, UG, ZM, ZW), Eurasian (AM, AZ, BY, KG, KZ, MD, RU, TJ, TM), European (AT, BE, BG, CH, CY, CZ, DE, DK, EE, ES, FI, FR, GB, GR, HU, IE, IS, IT, LT, LU, LV, MC, MT, NL, PL, PT, RO, SE, SI, SK, TR), OAPI (BF, BJ, CF, CG, CI, CM, GA, GN, GQ, GW, ML, MR, NE, SN, TD, TG).

(72) Inventor; and
(75) Inventor/Applicant (for US only): **OSINGA, Sjoerd** [US/US]; 804 Springbirch Court, Ellisville, MO 63021 (US).

[Continued on next page]

(54) Title: INTRAVAGINAL MEDICAMENT APPLICATORS



(57) Abstract: An exemplary embodiment of a medicament applicator generally includes a body member having a reservoir portion for holding medicament and at least one outlet in communication with the reservoir portion for dispensing medicament from the reservoir portion. The applicator may also include a plunger assembly for urging medicament from the reservoir portion through the at least one outlet. The applicator may further include a removable cap configured for positioning over the dispensing end portion of the body member.



WO 2007/109450 A3



Published:

— *with international search report*

(88) Date of publication of the international search report:

12 June 2008

INTERNATIONAL SEARCH REPORT

International application No.

PCT/US 07/63801

<p>A. CLASSIFICATION OF SUBJECT MATTER IPC(8)- A61M 31/00 (2007.10) USPC - 604/279, 604/285 According to International Patent Classification (IPC) or to both national classification and IPC</p>																																							
<p>B. FIELDS SEARCHED</p> <p>Minimum documentation searched (classification system followed by classification symbols) USPC: 604/279, 285, 93.01, 48, 19</p> <p>Documentation searched other than minimum documentation to the extent that such documents are included in the fields searched All forward and backward references cited in US 7,217,252, 4,361,150, 5,354,304, 4,836,557, 5,577,843, 4,636,202, and 5,301,394 and see key words below.</p> <p>Electronic data base consulted during the international search (name of data base and, where practicable, search terms used) Delphion (US Granted; US Applications; WPI PCT Pubs) Google Scholar; (Plastic AND ((Shaft) OR (Fork)); (Interlocking Shaft AND Plastic); (Plastic AND Lock AND Releasable); Wedge AND (Lock Release); Interlocking AND (Fingers OR Beams); (Plastic AND Snap AND Wedge); (Wedge AND Spring); Plastic Rivet; and Snap Fastener.</p>																																							
<p>C. DOCUMENTS CONSIDERED TO BE RELEVANT</p> <table border="1"> <thead> <tr> <th>Category*</th> <th>Citation of document, with indication, where appropriate, of the relevant passages</th> <th>Relevant to claim No.</th> </tr> </thead> <tbody> <tr> <td>X - Y</td> <td>US 6,712,784 B2 (Huang) 30 March 2004 (30.03.2004) Column 1, lines 9-12, column 2, lines 29-36, column 3, lines 17-22, and figures 7 and 8.</td> <td>18, 26, 32-33 - 3-4, 19-25, and 27-31</td> </tr> <tr> <td>Y</td> <td>US 5,397,312 A (Rademaker et al.) 14 March 1995 (14.03.1995) Column 1, lines 6-13, column 4, lines 10-19, column 4, lines 23-37, and figure 2</td> <td>4, 6, 19-22, and 35</td> </tr> <tr> <td>Y</td> <td>US 3,506,008 A (Huck) 14 April 1970 (14.04.1970) Column 1, lines 12-15, column 3, lines 49-64, and figure 2</td> <td>7-10, 22-25, and 34-41</td> </tr> <tr> <td>Y</td> <td>US 4,636,202 A (Lowin et al.) 13 January 1987 (13.01.1987) Column 4, lines 19-24, column 4, lines 26-34, column 5, lines 15-20, column 5, line 66 to column 6, line 9, column 6, lines 10-13, column 6, lines 22-32, column 6, lines 32-35, column 6, lines 58-67, column 7, lines 37-58, and figures 6, 8, 11, and 15</td> <td>1-17, 27-31, and 34-41</td> </tr> <tr> <td>Y</td> <td>3,965,952 A (Rivman et al.) 29 June 1976 (29.06.1976) Column 1, lines 5-7, column 1, lines 45-49, column 2, lines 35-59, and figure 6.</td> <td>1-17, 27-30, and 36-38</td> </tr> <tr> <td>Y</td> <td>US 4,083,289 A (Erickson) 11 April 1978 (11.04.1978) Column 1, lines 5-6, column 3, lines 1-10 and figures 1 and 2</td> <td>1-17, 27-30, and 36-38</td> </tr> </tbody> </table> <p><input type="checkbox"/> Further documents are listed in the continuation of Box C. <input type="checkbox"/></p> <table border="1"> <tr> <td>* Special categories of cited documents:</td> <td>"T" later document published after the international filing date or priority date and not in conflict with the application but cited to understand the principle or theory underlying the invention</td> </tr> <tr> <td>"A" document defining the general state of the art which is not considered to be of particular relevance</td> <td>"X" document of particular relevance; the claimed invention cannot be considered novel or cannot be considered to involve an inventive step when the document is taken alone</td> </tr> <tr> <td>"E" earlier application or patent but published on or after the international filing date</td> <td>"Y" document of particular relevance; the claimed invention cannot be considered to involve an inventive step when the document is combined with one or more other such documents, such combination being obvious to a person skilled in the art</td> </tr> <tr> <td>"L" document which may throw doubts on priority claim(s) or which is cited to establish the publication date of another citation or other special reason (as specified)</td> <td>"&" document member of the same patent family</td> </tr> <tr> <td>"O" document referring to an oral disclosure, use, exhibition or other means</td> <td></td> </tr> <tr> <td>"P" document published prior to the international filing date but later than the priority date claimed</td> <td></td> </tr> </table> <table border="1"> <tr> <td>Date of the actual completion of the international search 27 November 2007 (27.11.2007)</td> <td>Date of mailing of the international search report 24 MAR 2008</td> </tr> <tr> <td>Name and mailing address of the ISA/US Mail Stop PCT, Attn: ISA/US, Commissioner for Patents P.O. Box 1450, Alexandria, Virginia 22313-1450 Facsimile No. 571-273-3201</td> <td>Authorized officer: Lee W. Young PCT Helpdesk: 571-272-4300 PCT OSP: 571-272-7774</td> </tr> </table>			Category*	Citation of document, with indication, where appropriate, of the relevant passages	Relevant to claim No.	X - Y	US 6,712,784 B2 (Huang) 30 March 2004 (30.03.2004) Column 1, lines 9-12, column 2, lines 29-36, column 3, lines 17-22, and figures 7 and 8.	18, 26, 32-33 - 3-4, 19-25, and 27-31	Y	US 5,397,312 A (Rademaker et al.) 14 March 1995 (14.03.1995) Column 1, lines 6-13, column 4, lines 10-19, column 4, lines 23-37, and figure 2	4, 6, 19-22, and 35	Y	US 3,506,008 A (Huck) 14 April 1970 (14.04.1970) Column 1, lines 12-15, column 3, lines 49-64, and figure 2	7-10, 22-25, and 34-41	Y	US 4,636,202 A (Lowin et al.) 13 January 1987 (13.01.1987) Column 4, lines 19-24, column 4, lines 26-34, column 5, lines 15-20, column 5, line 66 to column 6, line 9, column 6, lines 10-13, column 6, lines 22-32, column 6, lines 32-35, column 6, lines 58-67, column 7, lines 37-58, and figures 6, 8, 11, and 15	1-17, 27-31, and 34-41	Y	3,965,952 A (Rivman et al.) 29 June 1976 (29.06.1976) Column 1, lines 5-7, column 1, lines 45-49, column 2, lines 35-59, and figure 6.	1-17, 27-30, and 36-38	Y	US 4,083,289 A (Erickson) 11 April 1978 (11.04.1978) Column 1, lines 5-6, column 3, lines 1-10 and figures 1 and 2	1-17, 27-30, and 36-38	* Special categories of cited documents:	"T" later document published after the international filing date or priority date and not in conflict with the application but cited to understand the principle or theory underlying the invention	"A" document defining the general state of the art which is not considered to be of particular relevance	"X" document of particular relevance; the claimed invention cannot be considered novel or cannot be considered to involve an inventive step when the document is taken alone	"E" earlier application or patent but published on or after the international filing date	"Y" document of particular relevance; the claimed invention cannot be considered to involve an inventive step when the document is combined with one or more other such documents, such combination being obvious to a person skilled in the art	"L" document which may throw doubts on priority claim(s) or which is cited to establish the publication date of another citation or other special reason (as specified)	"&" document member of the same patent family	"O" document referring to an oral disclosure, use, exhibition or other means		"P" document published prior to the international filing date but later than the priority date claimed		Date of the actual completion of the international search 27 November 2007 (27.11.2007)	Date of mailing of the international search report 24 MAR 2008	Name and mailing address of the ISA/US Mail Stop PCT, Attn: ISA/US, Commissioner for Patents P.O. Box 1450, Alexandria, Virginia 22313-1450 Facsimile No. 571-273-3201	Authorized officer: Lee W. Young PCT Helpdesk: 571-272-4300 PCT OSP: 571-272-7774
Category*	Citation of document, with indication, where appropriate, of the relevant passages	Relevant to claim No.																																					
X - Y	US 6,712,784 B2 (Huang) 30 March 2004 (30.03.2004) Column 1, lines 9-12, column 2, lines 29-36, column 3, lines 17-22, and figures 7 and 8.	18, 26, 32-33 - 3-4, 19-25, and 27-31																																					
Y	US 5,397,312 A (Rademaker et al.) 14 March 1995 (14.03.1995) Column 1, lines 6-13, column 4, lines 10-19, column 4, lines 23-37, and figure 2	4, 6, 19-22, and 35																																					
Y	US 3,506,008 A (Huck) 14 April 1970 (14.04.1970) Column 1, lines 12-15, column 3, lines 49-64, and figure 2	7-10, 22-25, and 34-41																																					
Y	US 4,636,202 A (Lowin et al.) 13 January 1987 (13.01.1987) Column 4, lines 19-24, column 4, lines 26-34, column 5, lines 15-20, column 5, line 66 to column 6, line 9, column 6, lines 10-13, column 6, lines 22-32, column 6, lines 32-35, column 6, lines 58-67, column 7, lines 37-58, and figures 6, 8, 11, and 15	1-17, 27-31, and 34-41																																					
Y	3,965,952 A (Rivman et al.) 29 June 1976 (29.06.1976) Column 1, lines 5-7, column 1, lines 45-49, column 2, lines 35-59, and figure 6.	1-17, 27-30, and 36-38																																					
Y	US 4,083,289 A (Erickson) 11 April 1978 (11.04.1978) Column 1, lines 5-6, column 3, lines 1-10 and figures 1 and 2	1-17, 27-30, and 36-38																																					
* Special categories of cited documents:	"T" later document published after the international filing date or priority date and not in conflict with the application but cited to understand the principle or theory underlying the invention																																						
"A" document defining the general state of the art which is not considered to be of particular relevance	"X" document of particular relevance; the claimed invention cannot be considered novel or cannot be considered to involve an inventive step when the document is taken alone																																						
"E" earlier application or patent but published on or after the international filing date	"Y" document of particular relevance; the claimed invention cannot be considered to involve an inventive step when the document is combined with one or more other such documents, such combination being obvious to a person skilled in the art																																						
"L" document which may throw doubts on priority claim(s) or which is cited to establish the publication date of another citation or other special reason (as specified)	"&" document member of the same patent family																																						
"O" document referring to an oral disclosure, use, exhibition or other means																																							
"P" document published prior to the international filing date but later than the priority date claimed																																							
Date of the actual completion of the international search 27 November 2007 (27.11.2007)	Date of mailing of the international search report 24 MAR 2008																																						
Name and mailing address of the ISA/US Mail Stop PCT, Attn: ISA/US, Commissioner for Patents P.O. Box 1450, Alexandria, Virginia 22313-1450 Facsimile No. 571-273-3201	Authorized officer: Lee W. Young PCT Helpdesk: 571-272-4300 PCT OSP: 571-272-7774																																						