



- (51) International Patent Classification:
B64G 1/40 (2006.01) B64G 5/00 (2006.01)
- (21) International Application Number:
PCT/US2018/046394
- (22) International Filing Date:
11 August 2018 (11.08.2018)
- (25) Filing Language: English
- (26) Publication Language: English
- (30) Priority Data:
62/544,766 11 August 2017 (11.08.2017) US
- (72) Inventor; and
(71) Applicant: WEST, Brandon [US/US]; 11555 North Gate-
way, Roswell, Georgia 30075 (US).
- (74) Agent: GRELL, Mathew L.; Grell & Watson Patent At-
torneys LLC, 2796 Soulier Street, Pittsburgh, Pennsylvania
15227 (US).

- (81) Designated States (unless otherwise indicated, for every kind of national protection available): AE, AG, AL, AM, AO, AT, AU, AZ, BA, BB, BG, BH, BN, BR, BW, BY, BZ, CA, CH, CL, CN, CO, CR, CU, CZ, DE, DJ, DK, DM, DO, DZ, EC, EE, EG, ES, FI, GB, GD, GE, GH, GM, GT, HN, HR, HU, ID, IL, IN, IR, IS, JO, JP, KE, KG, KH, KN, KP, KR, KW, KZ, LA, LC, LK, LR, LS, LU, LY, MA, MD, ME, MG, MK, MN, MW, MX, MY, MZ, NA, NG, NI, NO, NZ, OM, PA, PE, PG, PH, PL, PT, QA, RO, RS, RU, RW, SA, SC, SD, SE, SG, SK, SL, SM, ST, SV, SY, TH, TJ, TM, TN, TR, TT, TZ, UA, UG, US, UZ, VC, VN, ZA, ZM, ZW.
- (84) Designated States (unless otherwise indicated, for every kind of regional protection available): ARIPO (BW, GH, GM, KE, LR, LS, MW, MZ, NA, RW, SD, SL, ST, SZ, TZ, UG, ZM, ZW), Eurasian (AM, AZ, BY, KG, KZ, RU, TJ, TM), European (AL, AT, BE, BG, CH, CY, CZ, DE, DK, EE, ES, FI, FR, GB, GR, HR, HU, IE, IS, IT, LT, LU, LV, MC, MK, MT, NL, NO, PL, PT, RO, RS, SE, SI, SK, SM,

(54) Title: SPACE BASED MAGNETIC VORTEX ACCELERATOR AND METHODS OF USE THEREOF

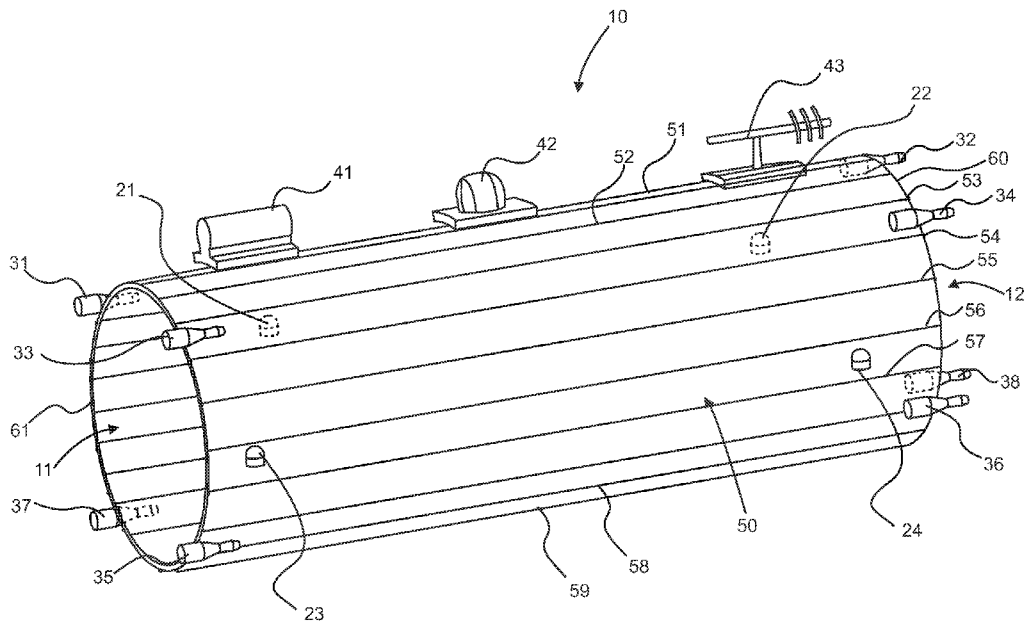


Fig. 1A

(57) Abstract: A space based magnetic vortex accelerator and methods of use thereof having one or more sections of magnetic material configured as a conduit with a flightpath therethrough for the spacecraft, a magnetic coil field generator electrically connected to said one or more sections of magnetic material configured to generate a space based magnetic field via said one or more sections of magnetic material, a power plant electrically connected to said magnetic coil field generator, said power plant configured to power said magnetic coil field generator, one or more magnetic field receivers affixed to the spacecraft, said one or more magnetic field receivers configured to magnetically engage said space based magnetic field.



WO 2019/203875 A3

TR), OAPI (BF, BJ, CF, CG, CI, CM, GA, GN, GQ, GW,
KM, ML, MR, NE, SN, TD, TG).

Published:

- *with international search report (Art. 21(3))*
- *before the expiration of the time limit for amending the claims and to be republished in the event of receipt of amendments (Rule 48.2(h))*

(88) Date of publication of the international search report:

05 December 2019 (05.12.2019)

INTERNATIONAL SEARCH REPORT

International application No.

PCT/US 18/46394

A. CLASSIFICATION OF SUBJECT MATTER

IPC(8) - B64G 1/40, B64G 5/00 (2019.01)

CPC - B64G 1/002, B64G 1/14, B64G 1/409, B64G 5/00, B64G 2005/005, F03H 99/00, F41B 6/003, F41B 6/006

According to International Patent Classification (IPC) or to both national classification and IPC

B. FIELDS SEARCHED

Minimum documentation searched (classification system followed by classification symbols)

See Search History Document

Documentation searched other than minimum documentation to the extent that such documents are included in the fields searched

See Search History Document

Electronic data base consulted during the international search (name of data base and, where practicable, search terms used)

See Search History Document

C. DOCUMENTS CONSIDERED TO BE RELEVANT

Category*	Citation of document, with indication, where appropriate, of the relevant passages	Relevant to claim No.
X --- A	US 2005/0077433 A1 (SCHUBERT) 14 April 2005 (14.04.2005), paras [0003], [0020], [0023], [0029], [0039]	1, 2, 5-9, 12 ----- 3, 4, 10, 11, 14-16
A	US 2007/0234705 A1 (EMSELLEM) 11 October 2007 (11.10.2007), FIG. 1, paras [0002], [0066]-[0068], [0076], [0093], [0098]	1-16
A	US 2004/0245407 A1 (D AUSILIO et al.), 09 December 2004 (09.12.2004), paras [0058]-[0059]	1-16

 Further documents are listed in the continuation of Box C. See patent family annex.

* Special categories of cited documents:

"A" document defining the general state of the art which is not considered to be of particular relevance

"E" earlier application or patent but published on or after the international filing date

"L" document which may throw doubts on priority claim(s) or which is cited to establish the publication date of another citation or other special reason (as specified)

"O" document referring to an oral disclosure, use, exhibition or other means

"P" document published prior to the international filing date but later than the priority date claimed

"T" later document published after the international filing date or priority date and not in conflict with the application but cited to understand the principle or theory underlying the invention

"X" document of particular relevance; the claimed invention cannot be considered novel or cannot be considered to involve an inventive step when the document is taken alone

"Y" document of particular relevance; the claimed invention cannot be considered to involve an inventive step when the document is combined with one or more other such documents, such combination being obvious to a person skilled in the art

"&" document member of the same patent family

Date of the actual completion of the international search

19 September 2019

Date of mailing of the international search report

16 OCT 2019

Name and mailing address of the ISA/US

Mail Stop PCT, Attn: ISA/US, Commissioner for Patents

P.O. Box 1450, Alexandria, Virginia 22313-1450

Facsimile No. 571-273-8300

Authorized officer:

Lee W. Young

PCT Helpdesk: 571-272-4300
PCT OSP: 571-272-7774