



US00D837304S

(12) **United States Design Patent**
Horikoshi

(10) **Patent No.:** **US D837,304 S**

(45) **Date of Patent:** **** Jan. 1, 2019**

- (54) **SPINNING TOP TOY**
- (71) Applicant: **TOMY COMPANY, LTD.**, Tokyo (JP)
- (72) Inventor: **Kenji Horikoshi**, Tokyo (JP)
- (73) Assignee: **TOMY COMPANY, LTD.**, Tokyo (JP)
- (**) Term: **15 Years**
- (21) Appl. No.: **29/505,900**
- (22) Filed: **Mar. 31, 2016**

(30) **Foreign Application Priority Data**

Dec. 21, 2015 (JP) 2015-028369

(51) **LOC (11) Cl.** **21-01**

(52) **U.S. Cl.**

USPC **D21/460**

(58) **Field of Classification Search**

USPC D21/436, 441, 443, 444, 455, 460-464;
446/236-266

CPC A63H 1/00-1/32; A63F 9/16

See application file for complete search history.

(56) **References Cited**

U.S. PATENT DOCUMENTS

D614,245 S *	4/2010	Ujita	D21/460
D615,602 S *	5/2010	Nishimoto	D21/460
D629,051 S *	12/2010	Nishimoto	D21/460
D629,847 S *	12/2010	Ujita	D21/460
D629,848 S *	12/2010	Ujita	D21/460
D639,348 S *	6/2011	Ujita	D21/460

(Continued)

FOREIGN PATENT DOCUMENTS

CN	3262744	*	11/2002
CN	3271036	*	1/2003

(Continued)

Primary Examiner — Catherine A Tuttle
(74) *Attorney, Agent, or Firm* — Staas & Halsey LLP

(57) **CLAIM**

The ornamental design for a spinning top toy, as shown and described.

DESCRIPTION

FIG. 1 is a front view of the spinning top toy showing our design;

FIG. 2 is a left side view thereof;

FIG. 3 is a rear view thereof;

FIG. 4 is right side view thereof;

FIG. 5 is a top view thereof;

FIG. 6 is a bottom view thereof;

FIG. 7 is a perspective view thereof;

FIG. 8 is a top plan view of the transparent portion of the design shown in isolation for clarity of disclosure;

FIG. 9 is a front view of the spinning top toy, corresponding to FIG. 1 but showing contour shading to the exterior parts and with the interior parts omitted;

FIG. 10 is a left side view thereof corresponding to FIG. 2 but showing contour shading to the exterior parts and with the interior parts omitted;

FIG. 11 is a rear view thereof corresponding to FIG. 3 but showing contour shading to the exterior parts and with the interior parts omitted;

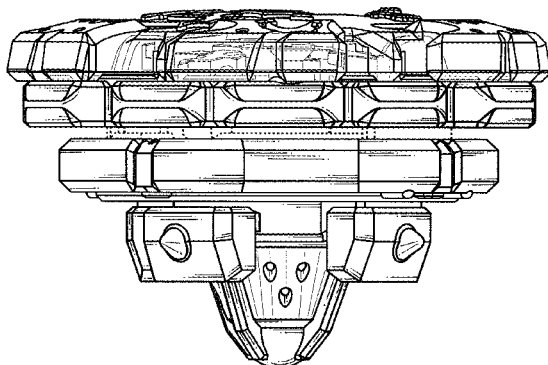
FIG. 12 is right side view thereof corresponding to FIG. 4 but showing contour shading to the exterior parts and with the interior parts omitted;

FIG. 13 is a top view thereof corresponding to FIG. 5 but showing contour shading to the exterior parts and with the interior parts omitted; and,

FIG. 14 is a perspective view thereof corresponding to FIG. 7 but showing contour shading to the exterior parts and with the interior parts omitted.

The portions of the spinning top toy shown in broken lines form no part of the claimed design.

1 Claim, 14 Drawing Sheets



(56)

References Cited

U.S. PATENT DOCUMENTS

D639,869 S * 6/2011 Nishimoto D21/460
D660,918 S * 5/2012 Ujita D21/460
D662,556 S * 6/2012 Horikoshi D21/460
D665,859 S * 8/2012 Horikoshi D21/460
D666,252 S * 8/2012 Ujita D21/460
D666,253 S * 8/2012 Ujita D21/460
2011/0177750 A1 * 7/2011 Ujita A63H 1/04
446/263
2014/0302743 A1 * 10/2014 Cai A63H 1/18
446/256
2015/0017872 A1 * 1/2015 Choi A63H 1/02
446/259

FOREIGN PATENT DOCUMENTS

CN 301218930 * 5/2010
CN 301301582 * 8/2010
CN 301320896 * 8/2010
CN 301531553 * 4/2011
CN 301612142 * 7/2011
CN 301715351 * 11/2011
CN 302143913 * 10/2012
CN 302552259 * 8/2013
CN 303533300 * 12/2015
JP 3160638 U * 7/2010 A63H 1/00
JP D1531578 * 8/2015
JP D1549779 * 5/2016
WO WO-2010151017 A2 * 12/2010 A63H 1/02

* cited by examiner

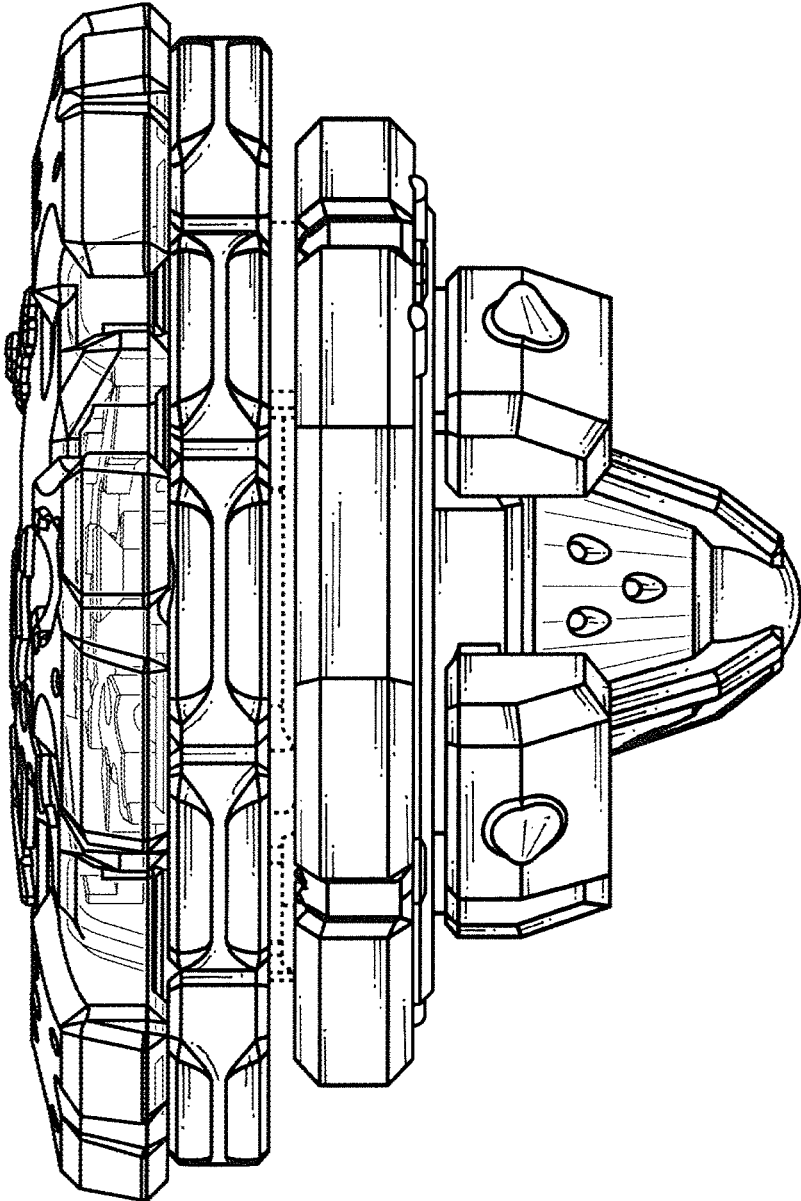


FIG. 1

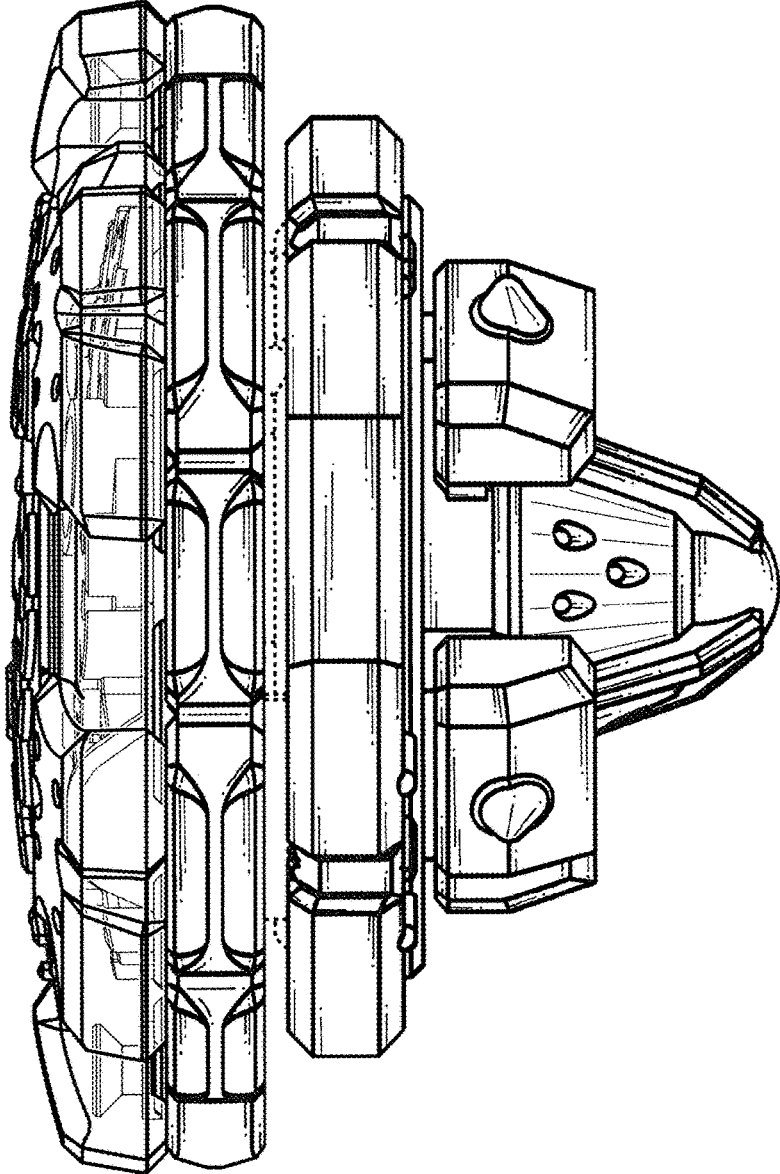


FIG. 2

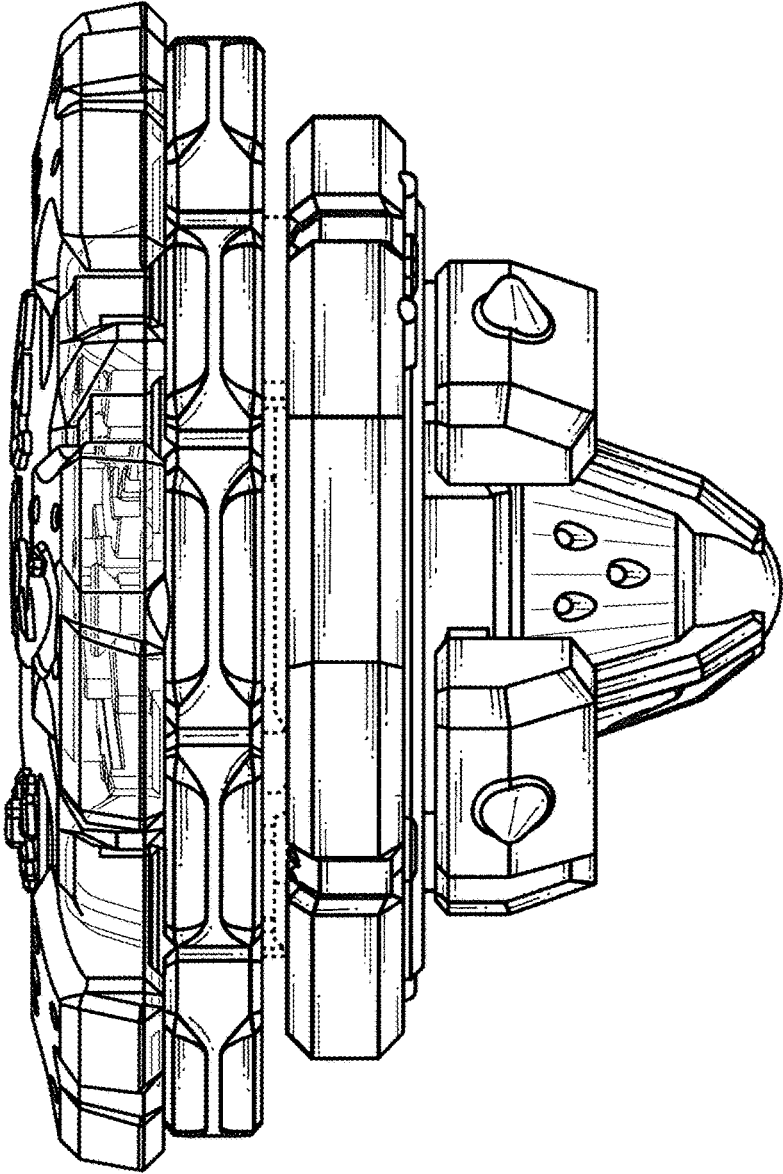


FIG. 3

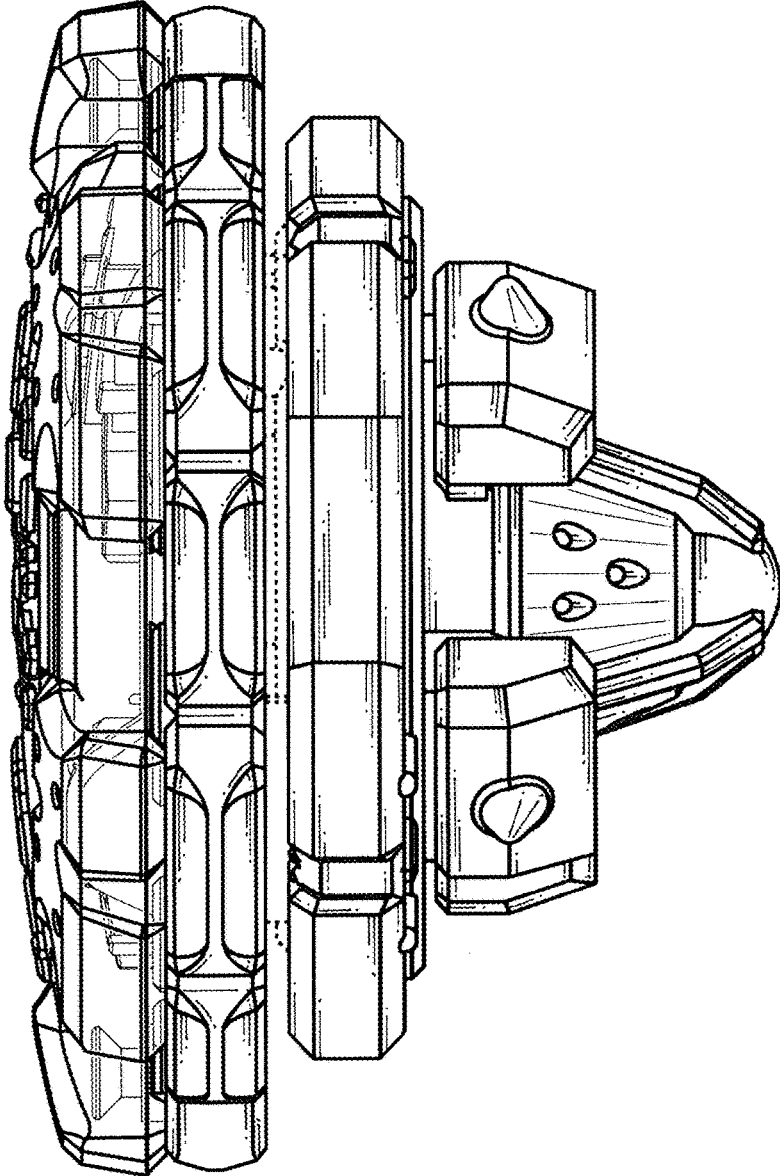


FIG. 4

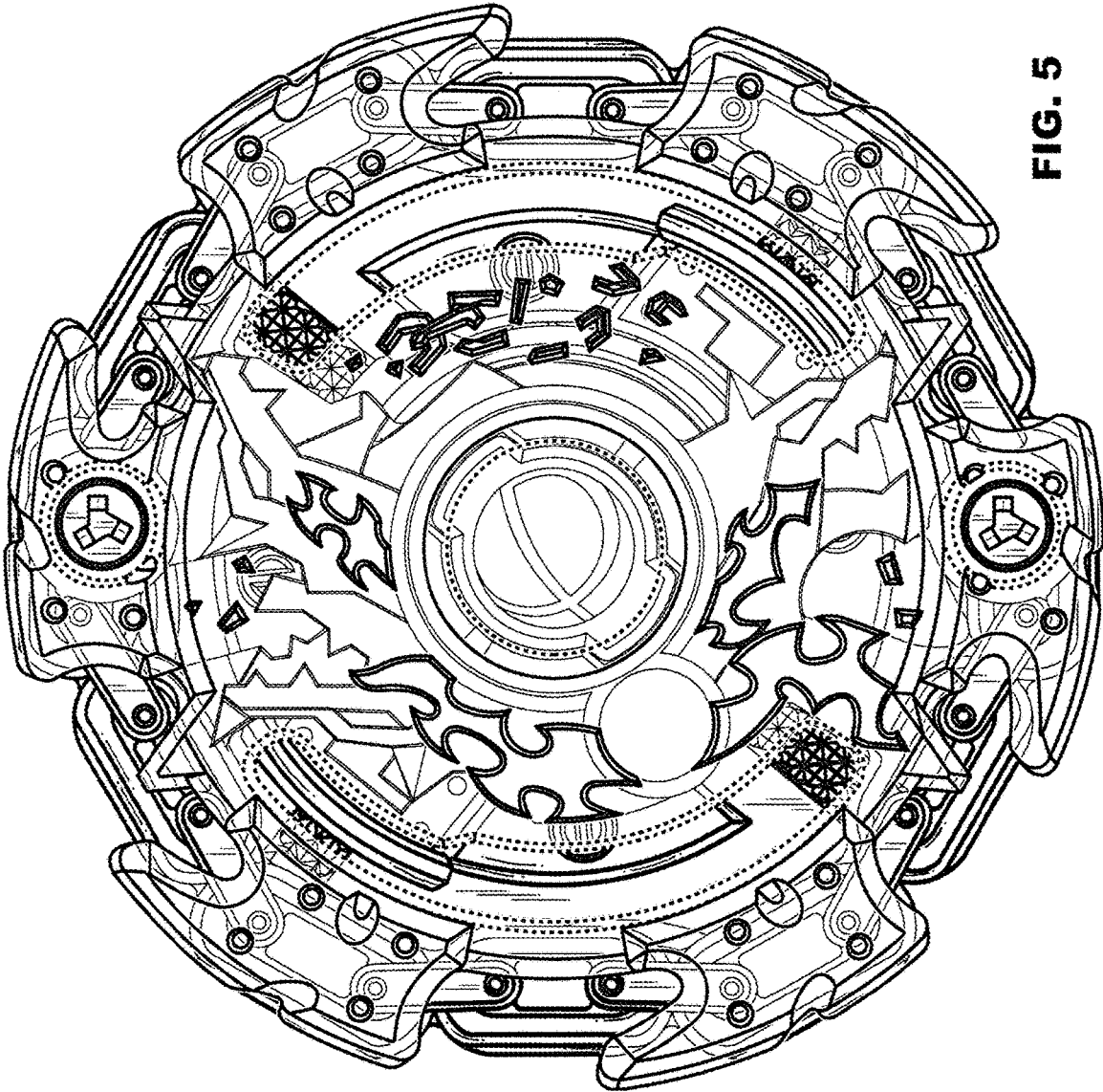


FIG. 5

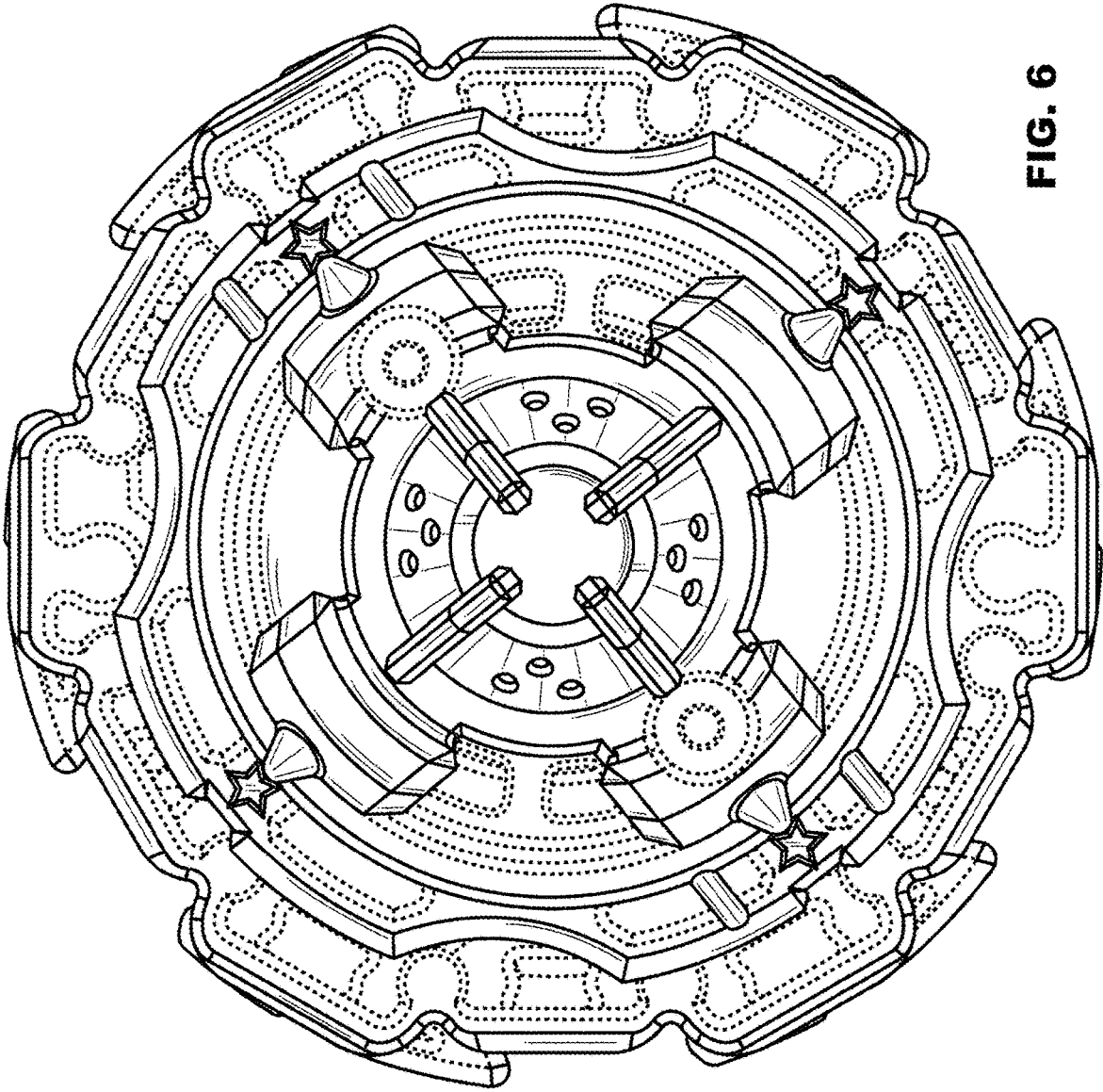


FIG. 6

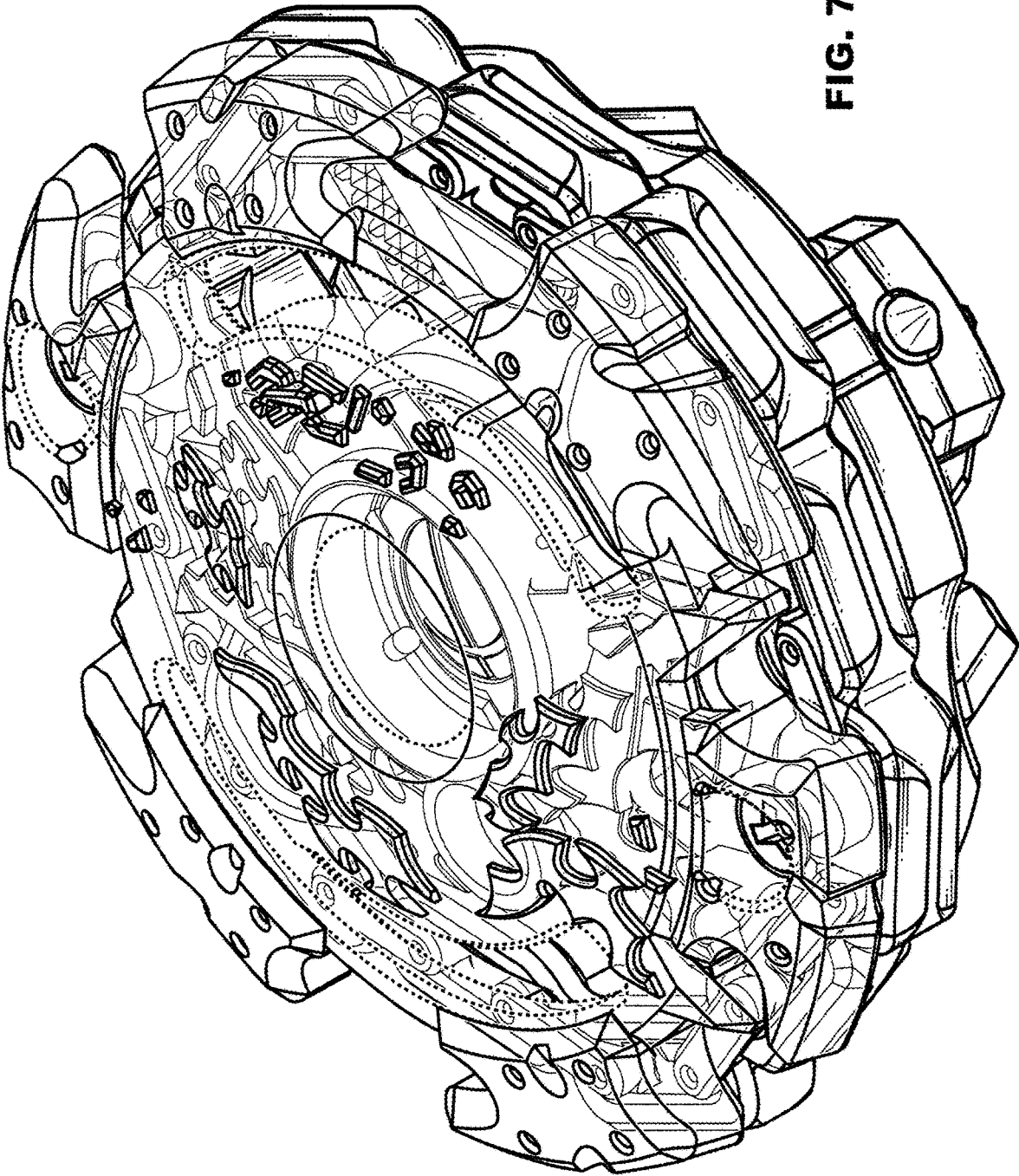


FIG. 7

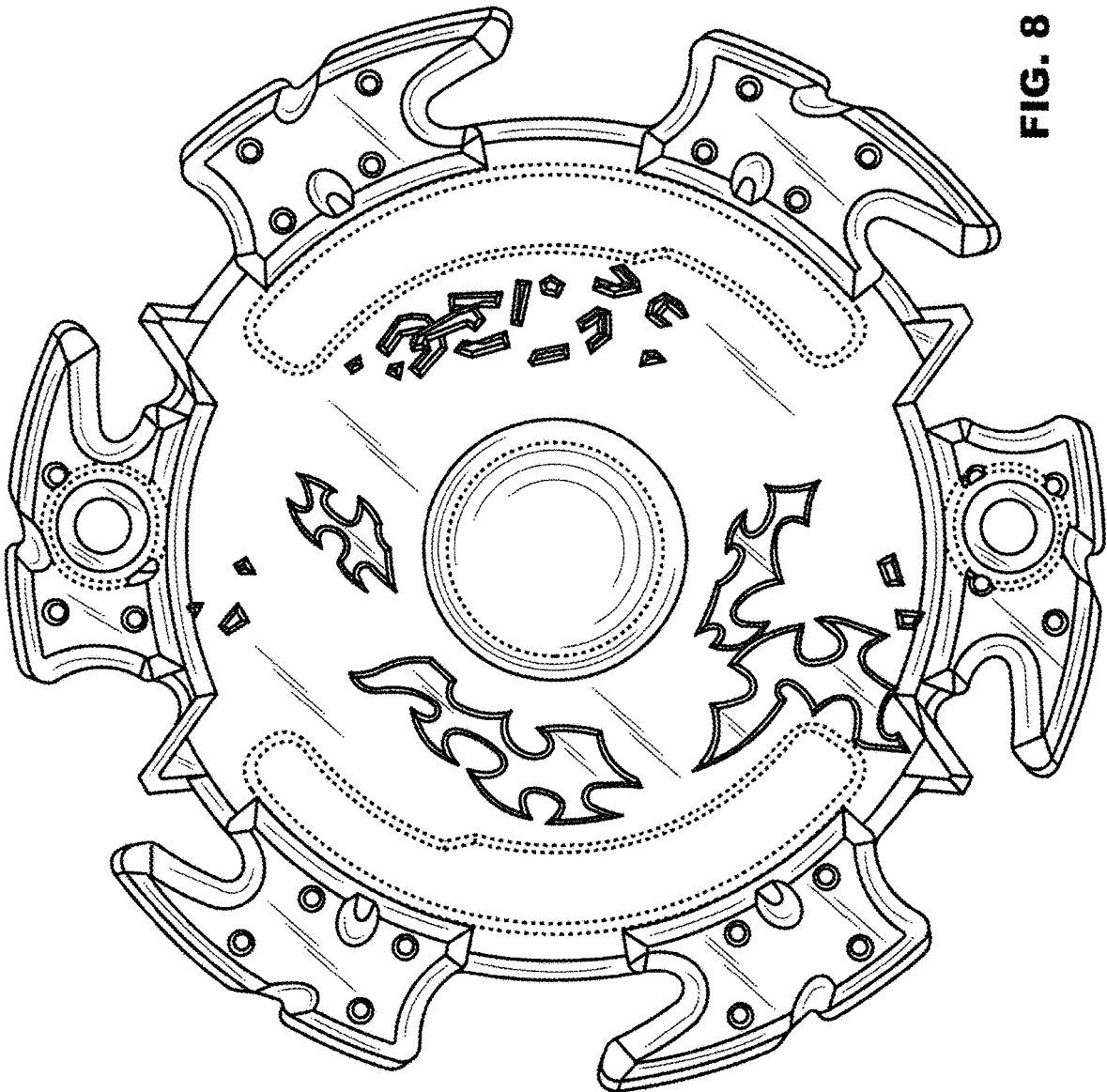


FIG. 8

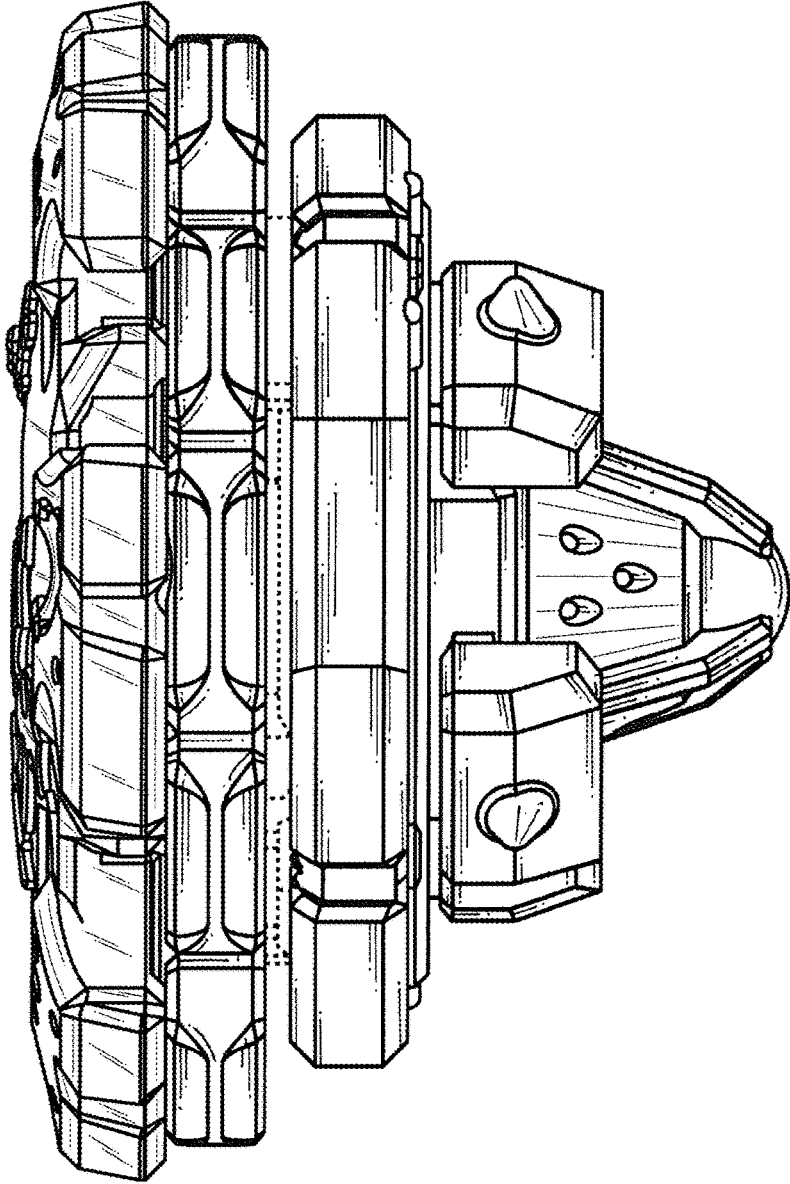


FIG. 9

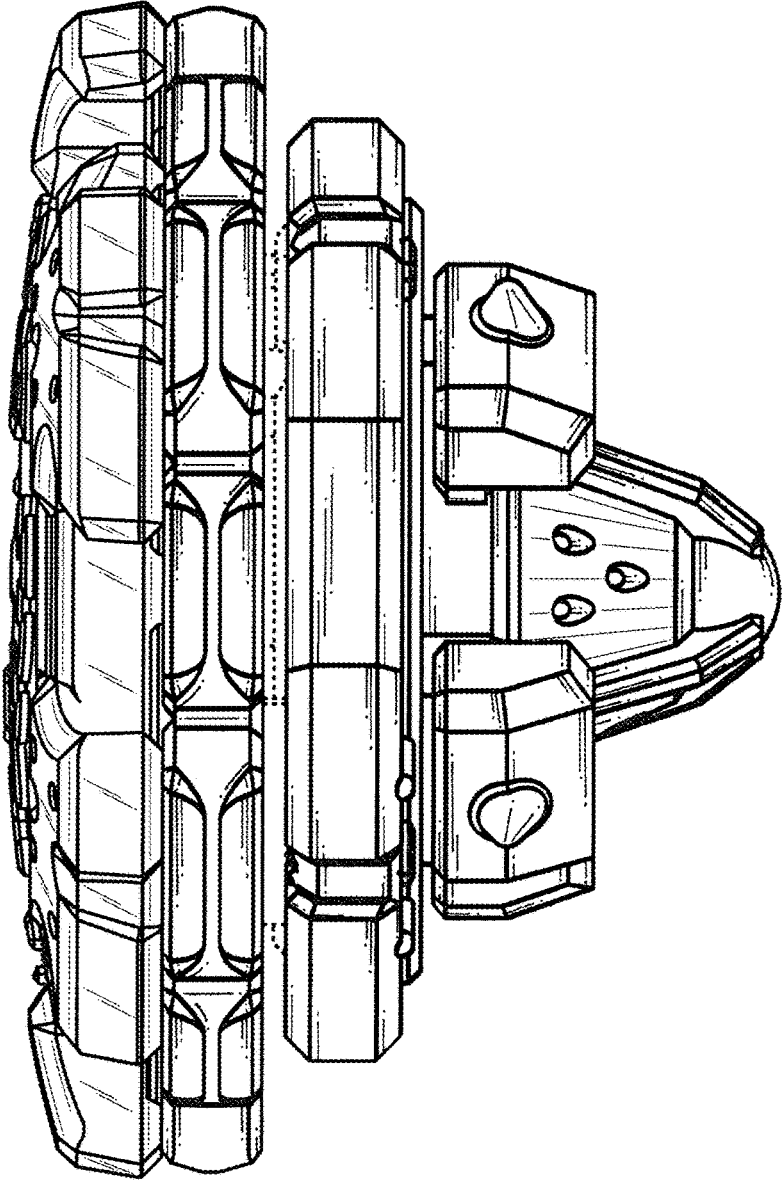


FIG. 10

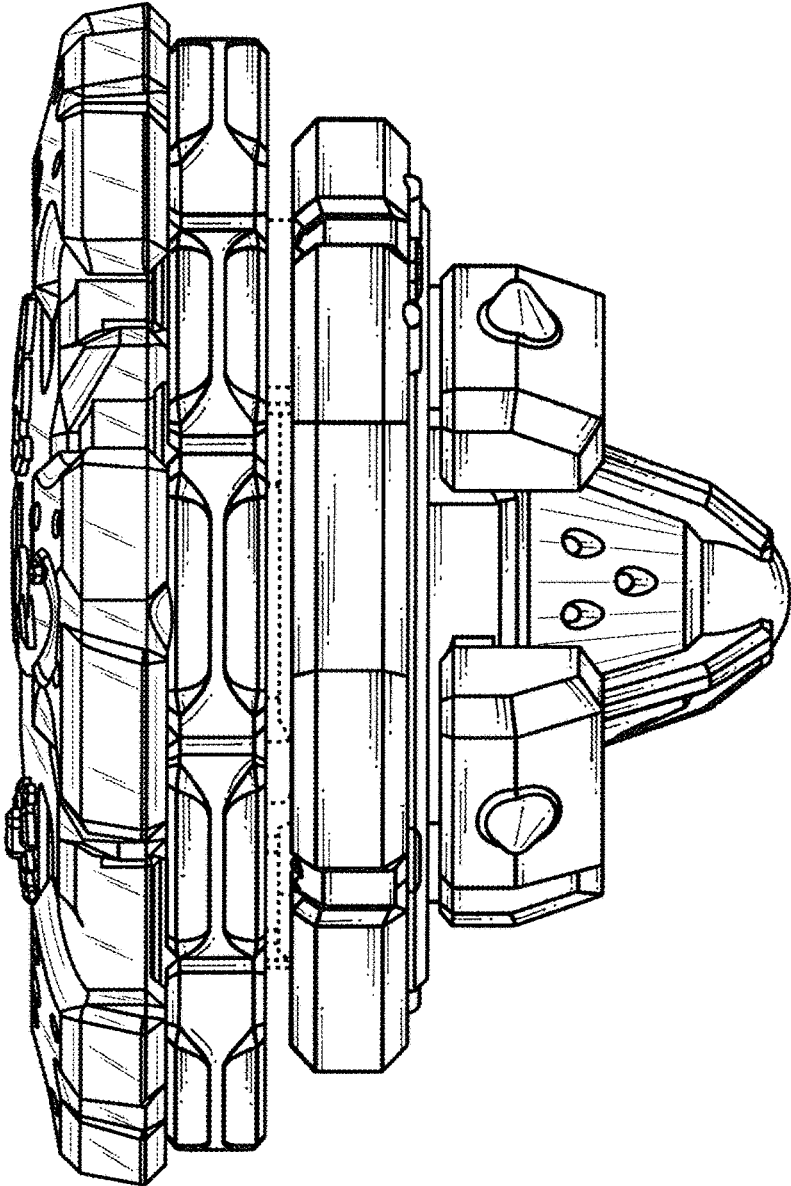


FIG. 11

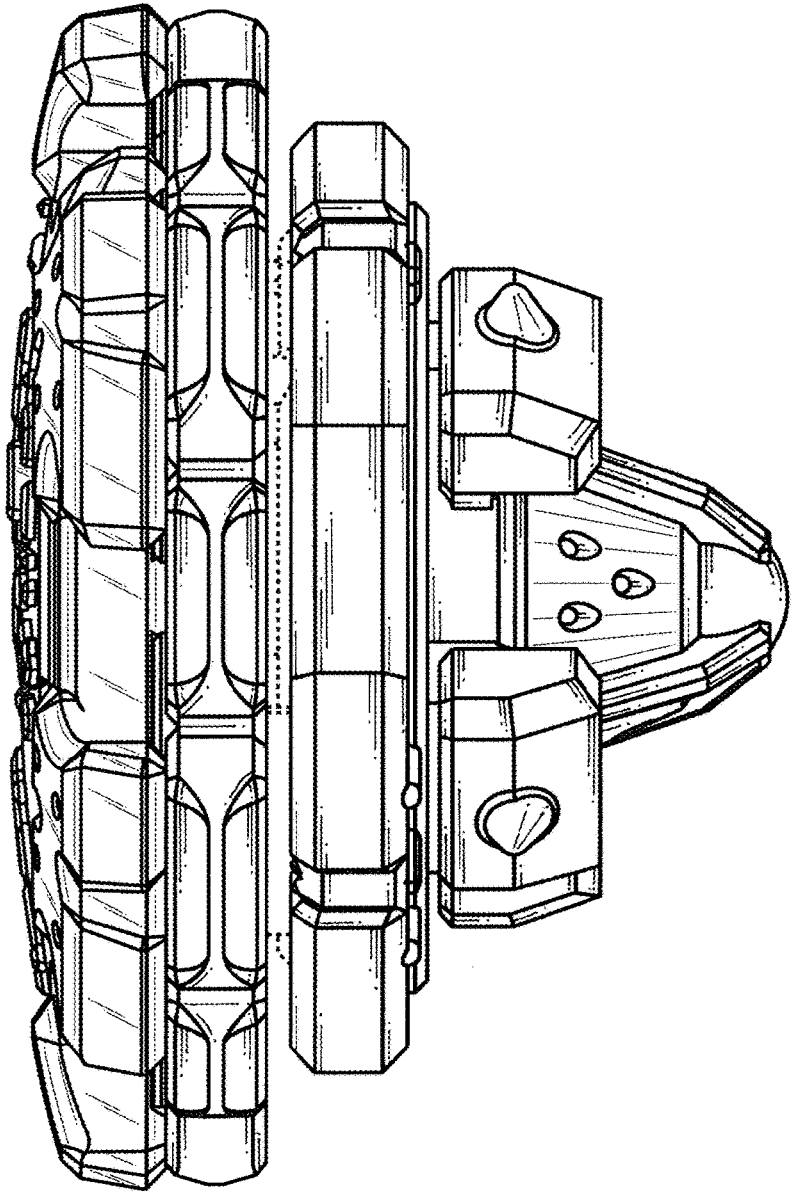


FIG. 12

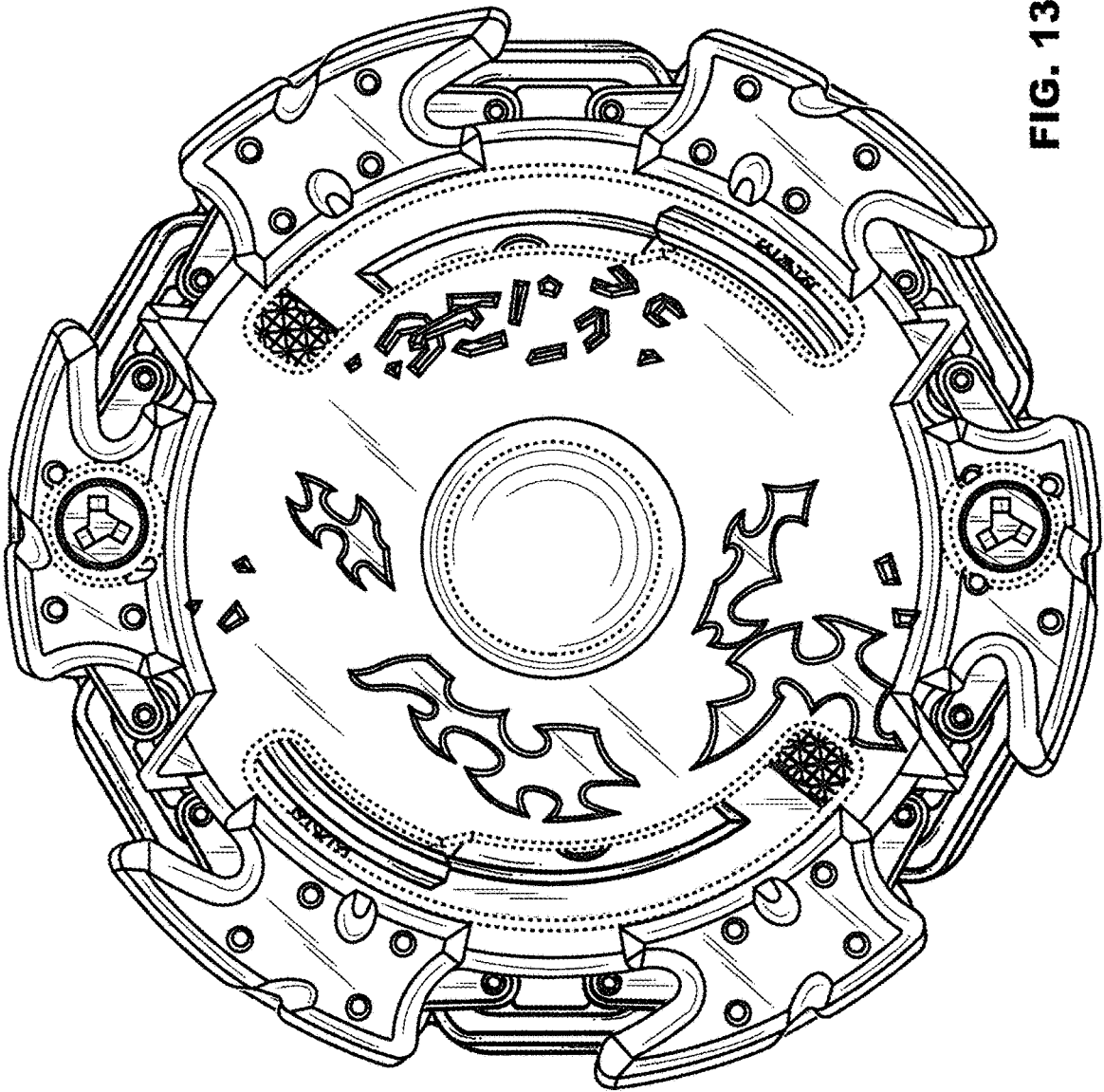


FIG. 13

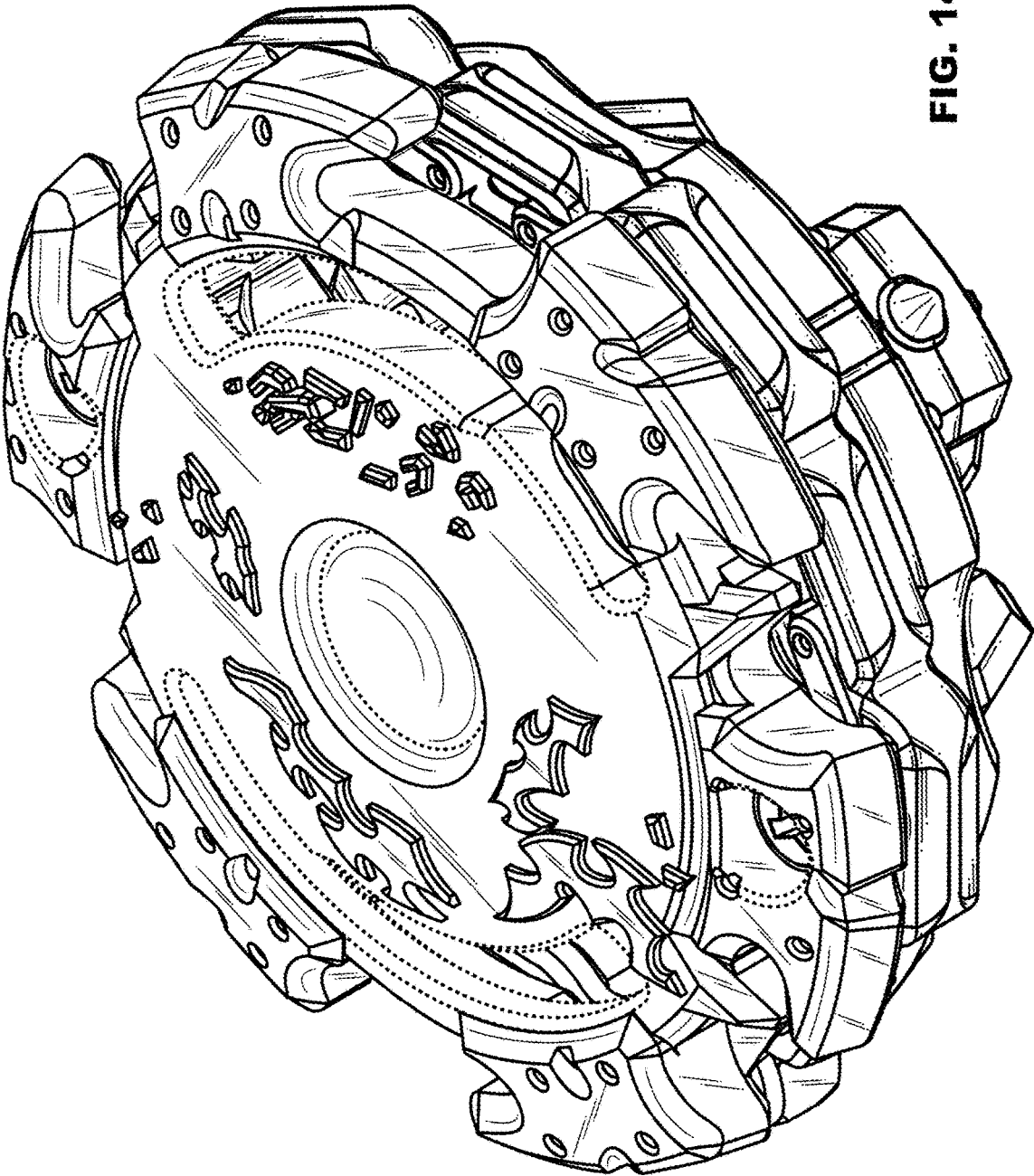


FIG. 14