



US00D995172S

(12) **United States Design Patent**
Xu

(10) **Patent No.:** **US D995,172 S**

(45) **Date of Patent:** **** Aug. 15, 2023**

(54) **GUITAR STAND**

(71) Applicant: **Suzhou Cahaya Co., Ltd.**, SuZhou (CN)

(72) Inventor: **Na Xu**, SuZhou (CN)

(73) Assignee: **Suzhou Cahaya Co., Ltd.**, SuZhou (CN)

(**) Term: **15 Years**

(21) Appl. No.: **29/802,774**

(22) Filed: **Aug. 8, 2021**

(51) **LOC (14) Cl.** **06-04**

(52) **U.S. Cl.**

USPC **D6/682**; D6/682.3

(58) **Field of Classification Search**

USPC D6/672, 682, 682.1, 682.2, 682.3, 682.4, D6/700, 673, 701, 682.5, 675.4, 683; D3/266; D7/601; D19/91
CPC A47B 73/006; A47B 81/007; G10G 5/00; A47F 7/02; A47F 7/022; A47F 7/28; A47F 5/13; A47F 7/024; A47G 23/0208; A47G 29/08

See application file for complete search history.

(56) **References Cited**

U.S. PATENT DOCUMENTS

D162,207 S *	2/1951	Mettenleiter	211/64
D249,425 S *	9/1978	Jones	D6/552
D396,579 S *	8/1998	Kalayjian	D6/682
D411,698 S *	6/1999	Kalayjian	D6/552
5,959,225 A *	9/1999	Hsu	G10G 5/00 84/327
D414,962 S *	10/1999	Welsh	D17/99
D419,707 S *	1/2000	Tierney	D6/673
D435,365 S *	12/2000	Eason	D16/244
6,533,228 B1 *	3/2003	Yu	G10G 5/00 84/327
D506,774 S *	6/2005	Stevens	D17/99
D609,940 S *	2/2010	Samu	D8/373
D628,830 S *	12/2010	Mono	D6/682.3

D646,505 S *	10/2011	Eason	D6/682.3
D648,572 S *	11/2011	Werner	D6/682.4
D675,039 S *	1/2013	Foisy	D6/682.1
D679,117 S *	4/2013	Werner	D6/682.4
D688,072 S *	8/2013	Hennessey	D6/682
D716,592 S *	11/2014	Belitz	F16B 7/1418 D6/682.3
D723,311 S *	3/2015	Jiang	D6/681
D784,056 S *	4/2017	Van Herpe	D6/682
D813,580 S *	3/2018	Reid	D6/682.3

(Continued)

OTHER PUBLICATIONS

Cahaya Guitar Stand, Amazon.com Product Listing (Dated to Feb. 4, 2022) Retrieved from the Internet (May 12, 2023), URL:https://www.amazon.com/CAHAYA-Acoustic-Universal-Portable-Classical/dp/B0991MYH3/ref=sr_1_13?keywords=cahaya%2Bmusic%2Bstand&qid=1683945119&sprefix=cahaya%2Caps%2C157&sr=8-13&th=1 (Year: 2022).*

Primary Examiner — Steven J Czyz

Assistant Examiner — Varun Salil Kamat

(74) *Attorney, Agent, or Firm* — Kunzler Bean & Adamson, PC; Michael Bartholomew

(57) **CLAIM**

The ornamental design for a guitar stand, as shown and described.

DESCRIPTION

FIG. 1 is a front, left, and top perspective view of a guitar stand, showing my design.

FIG. 2 is a front elevation view thereof.

FIG. 3 is a rear elevation view thereof.

FIG. 4 is a left side elevation view thereof.

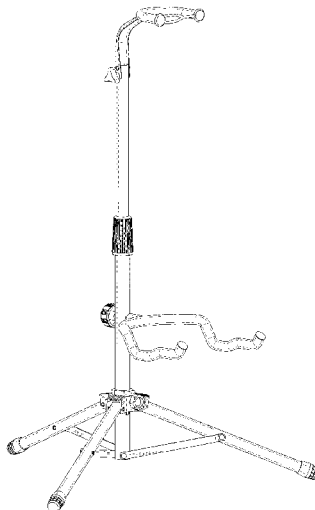
FIG. 5 is a right side elevation view thereof.

FIG. 6 is a top plan view thereof.

FIG. 7 is a bottom plan view thereof; and,

FIG. 8 is a partial enlarged view of an area labeled 8 in FIG. 7 comprising a bracket.

1 Claim, 8 Drawing Sheets



(56)

References Cited

U.S. PATENT DOCUMENTS

D846,321	S	*	4/2019	Vandervorst	D6/682
D869,885	S	*	12/2019	Wilfer	D6/682.2
D871,809	S	*	1/2020	Kimura	D6/682
D874,855	S	*	2/2020	Wilfer	D6/682
D875,445	S	*	2/2020	Wilfer	D6/682
10,679,594	B2	*	6/2020	Schmidt	A47F 5/0037
D906,027	S	*	12/2020	Dougherty	D6/682
D917,938	S	*	5/2021	Dougherty	D6/682

* cited by examiner

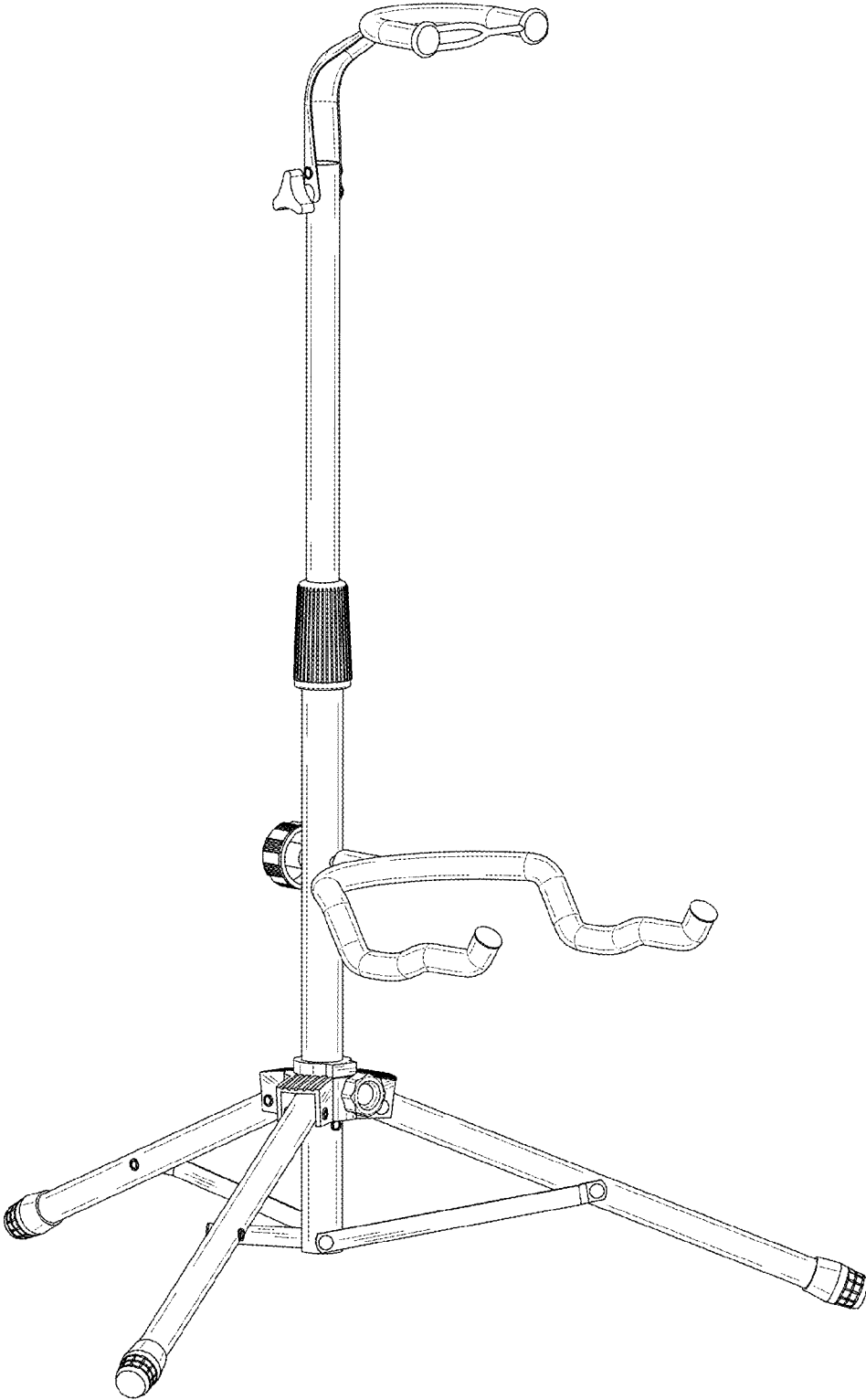


FIG. 1

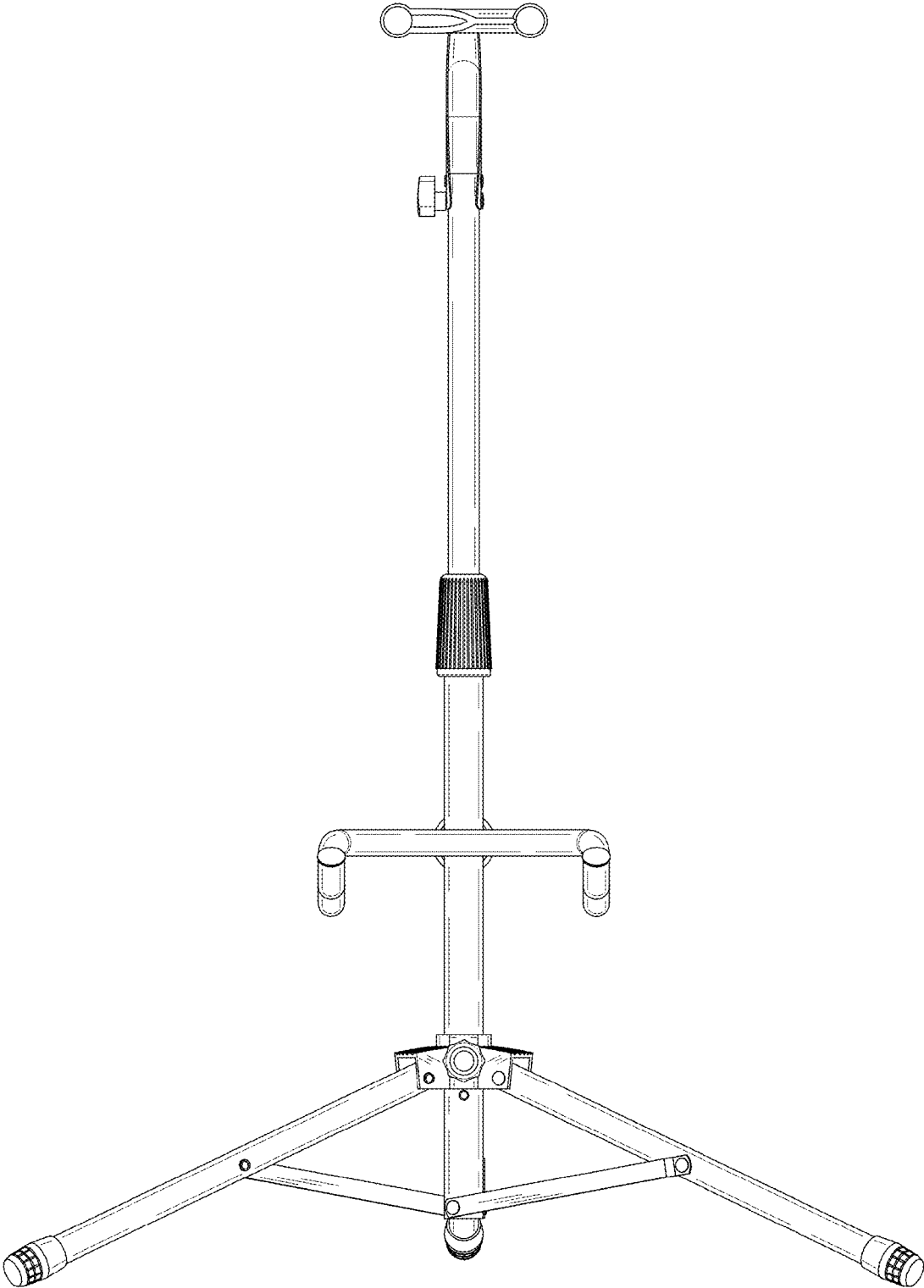


FIG. 2

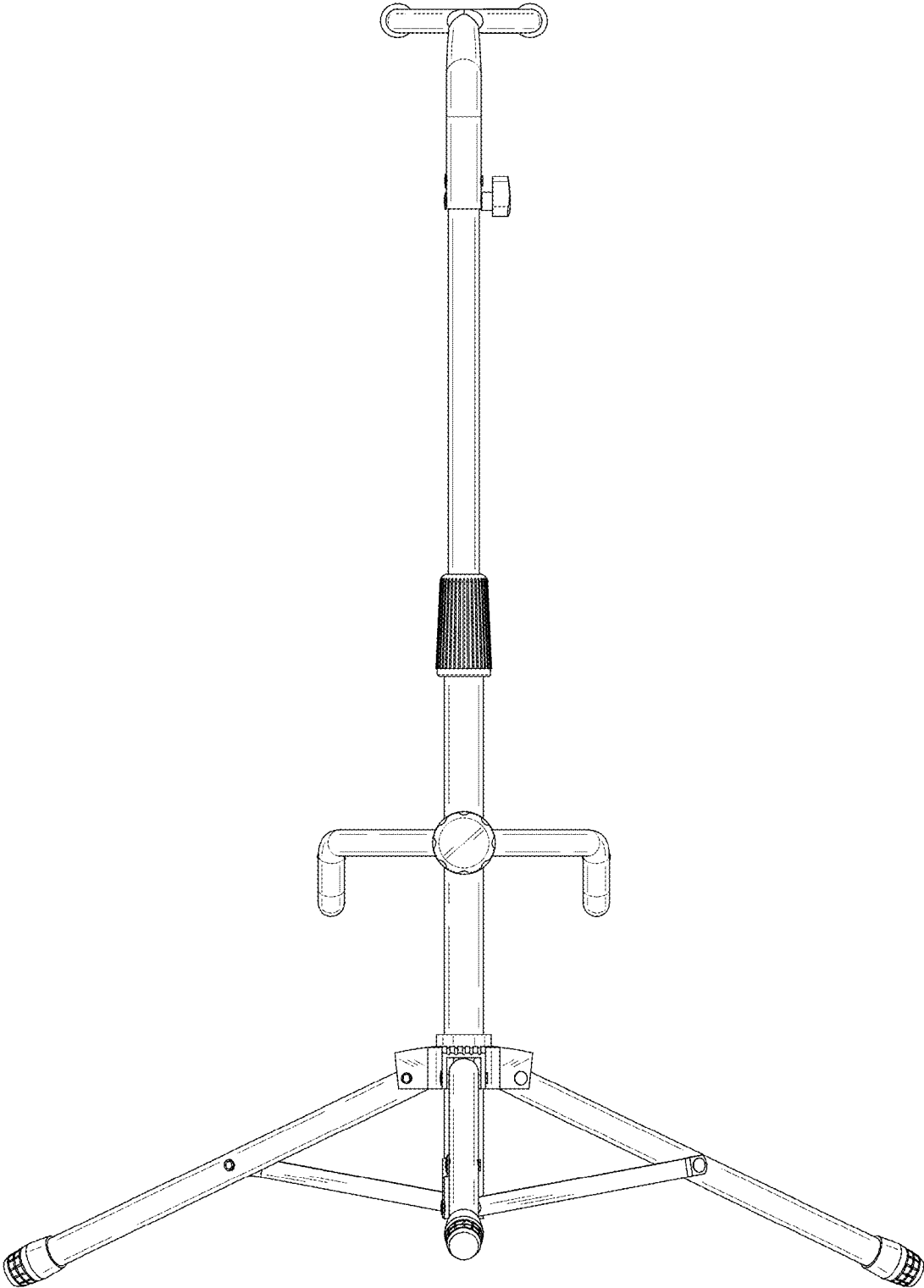


FIG. 3

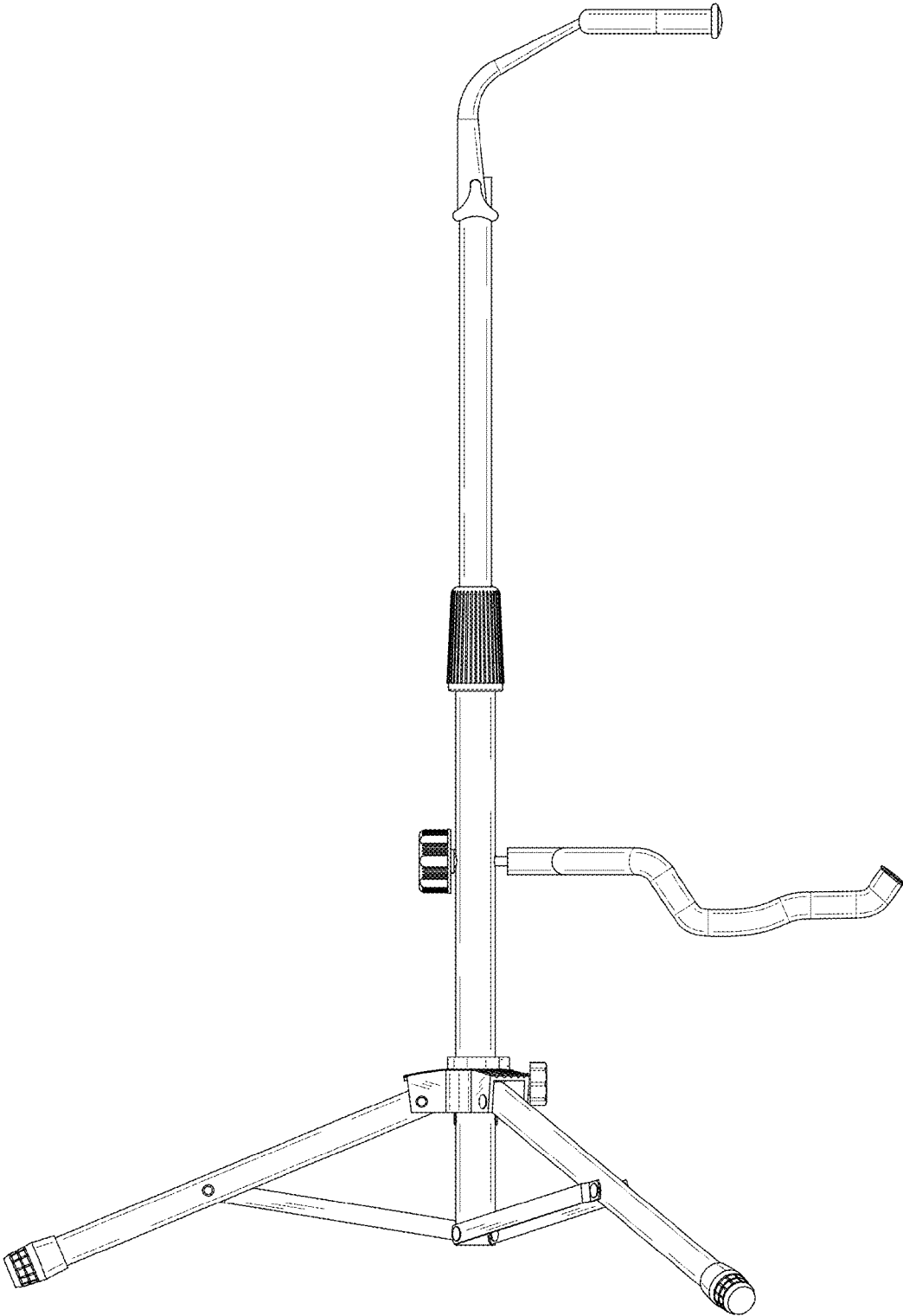


FIG. 4

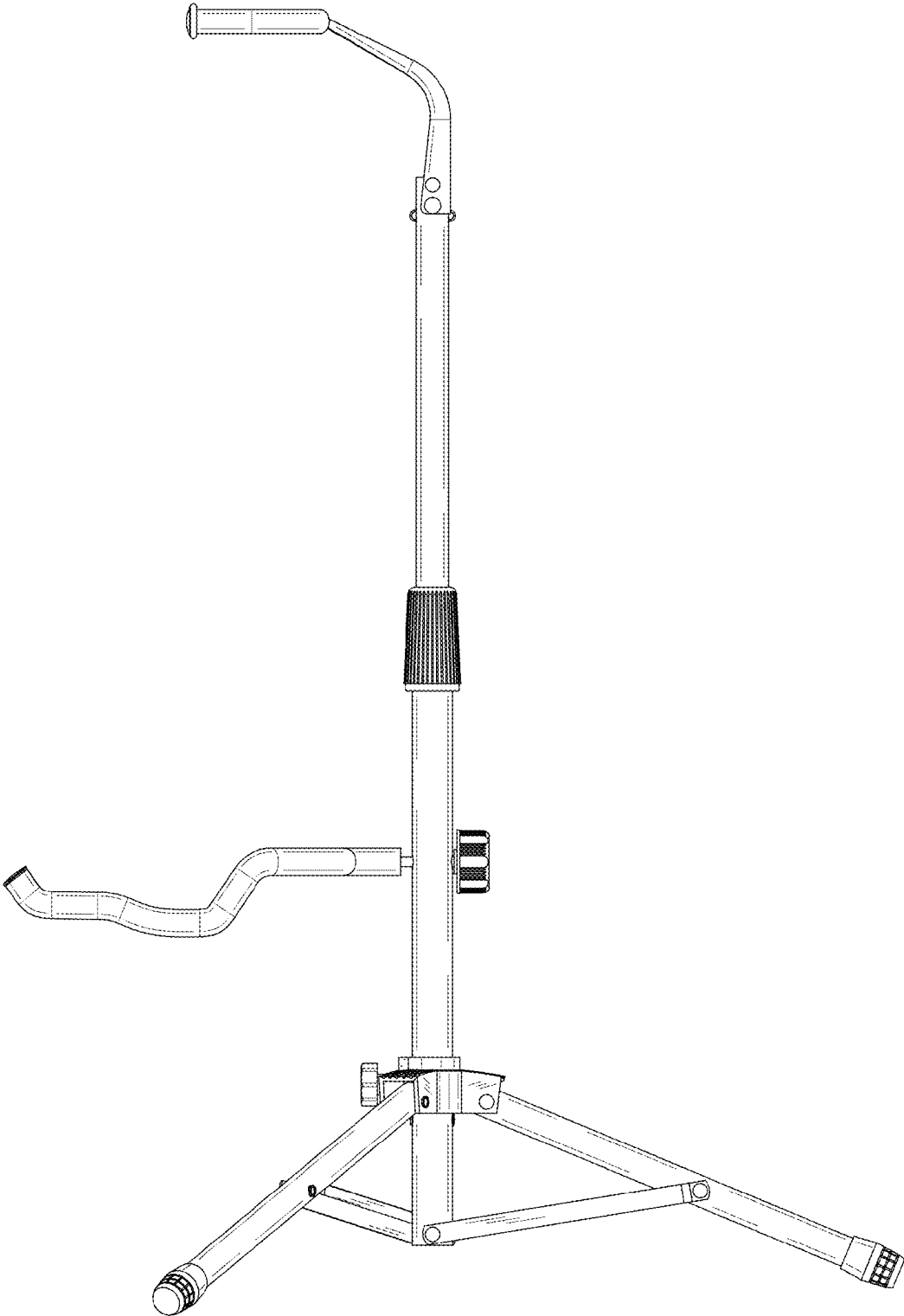


FIG. 5

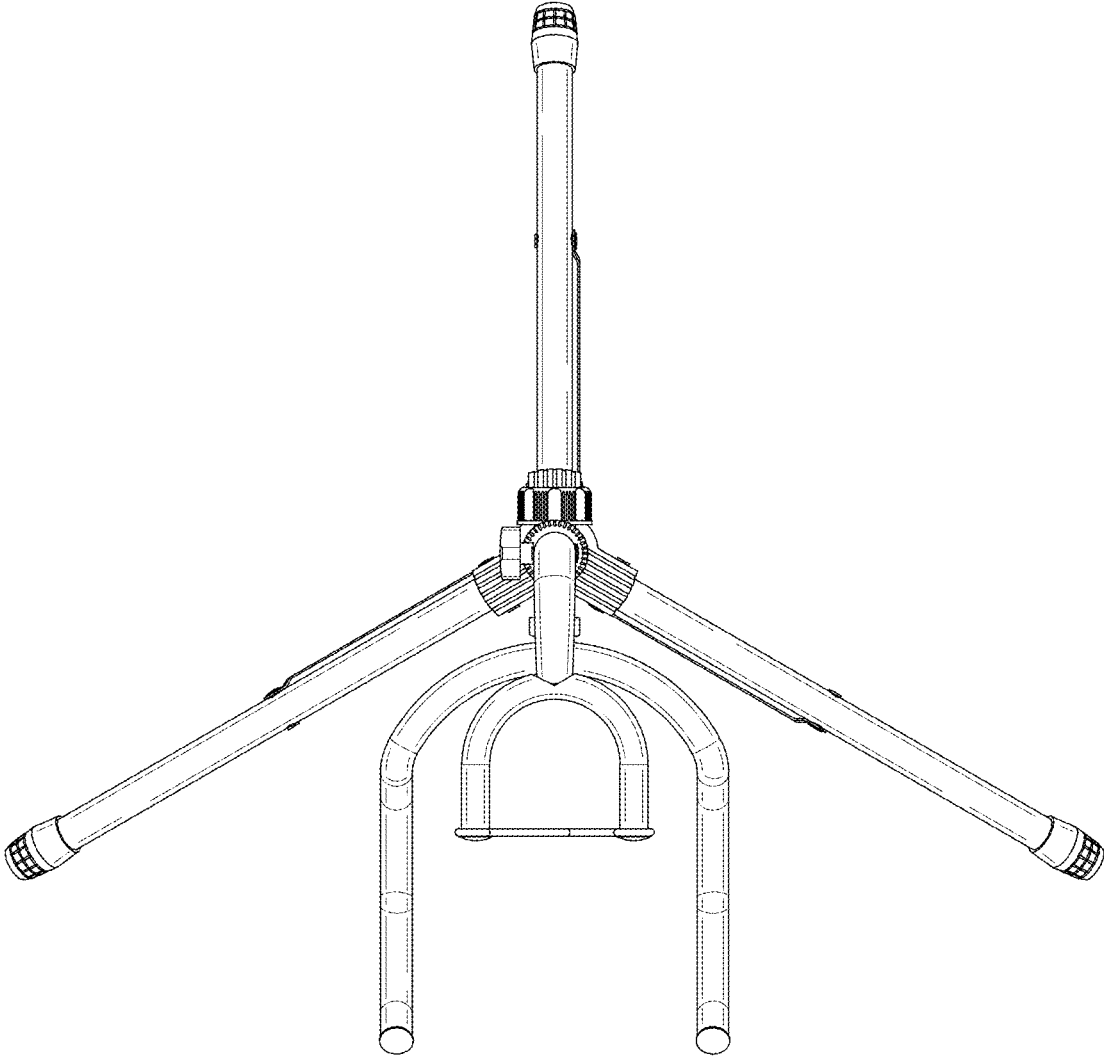


FIG.6

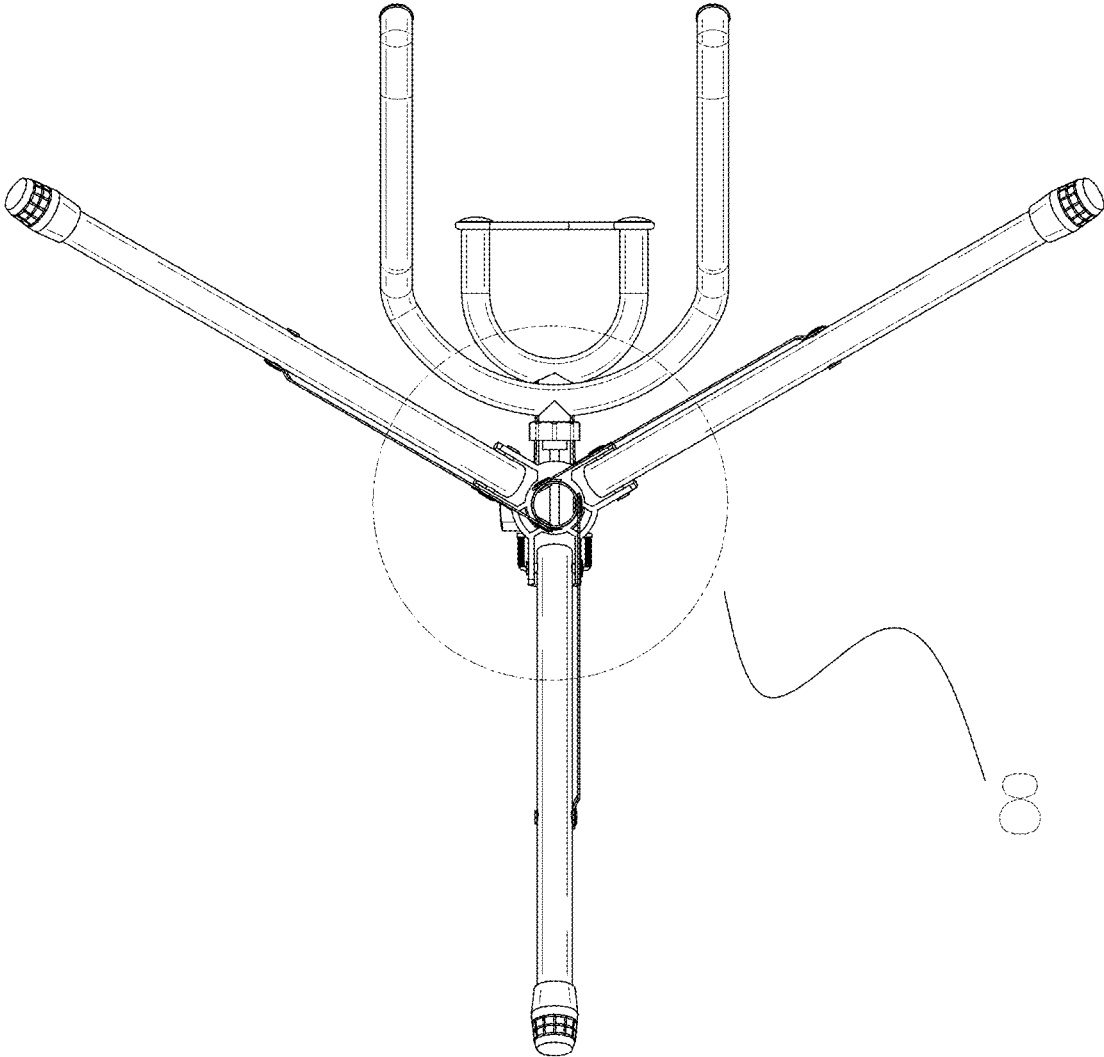


FIG. 7

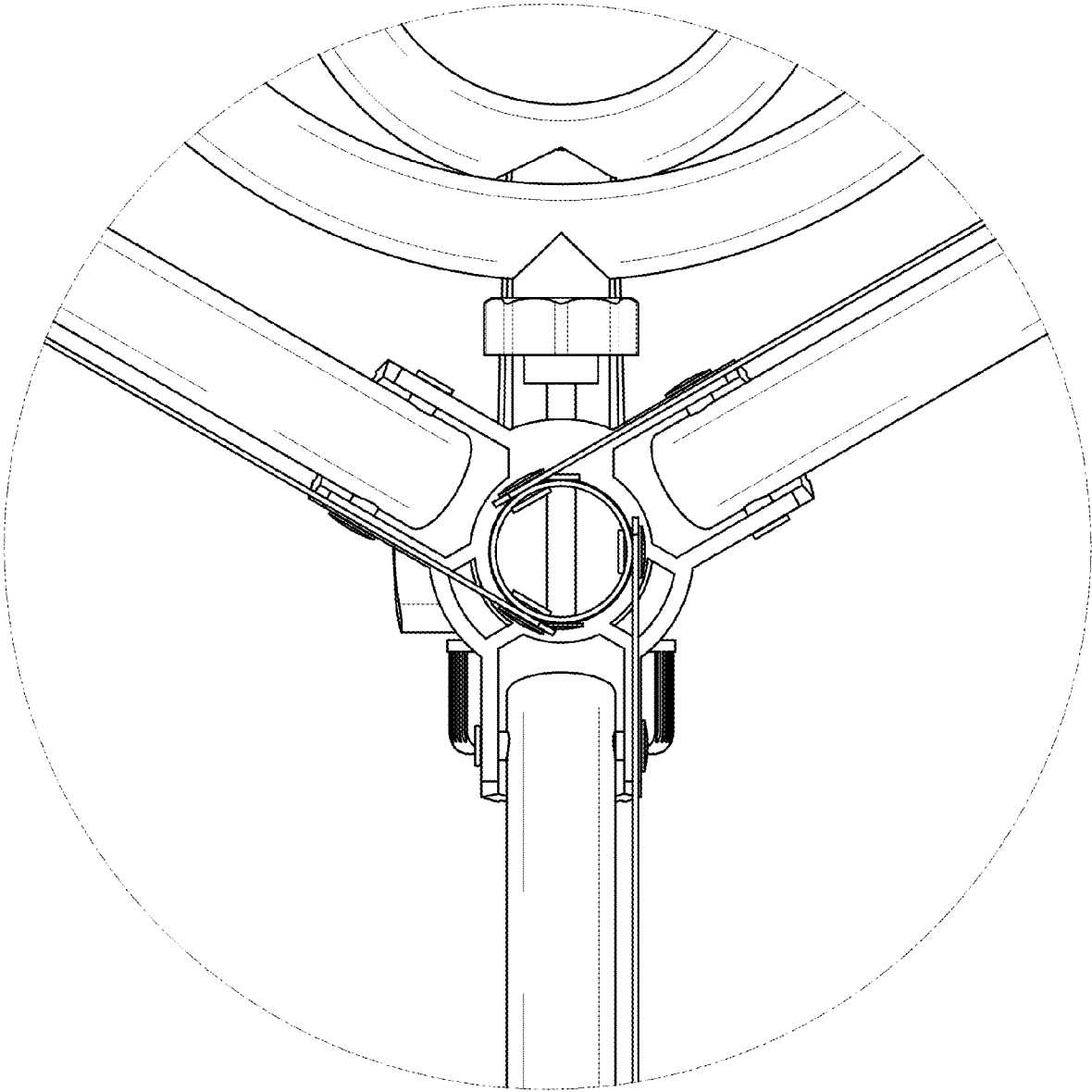


FIG.8