

CORRECTED VERSION

(19) World Intellectual Property Organization  
International Bureau



(43) International Publication Date  
26 November 2009 (26.11.2009)

(10) International Publication Number  
WO 2009/143123 A8

(51) International Patent Classification:  
H01R 13/02 (2006.01) H02G 3/18 (2006.01)  
H01R 13/20 (2006.01)

(21) International Application Number:  
PCT/US2009/044476

(22) International Filing Date:  
19 May 2009 (19.05.2009)

(25) Filing Language: English

(26) Publication Language: English

(30) Priority Data:  
61/054,183 19 May 2008 (19.05.2008) US

(71) Applicant (for all designated States except US): EMERSON ELECTRIC CO. [US/US]; 8000 West Florissant, St. Louis, MO 63136 (US).

(72) Inventors; and

(75) Inventors/Applicants (for US only): PATEREK, Dieter [NL/NL]; 2de Blokweg 3, NL-7681 Vroomshoop (NL). TANG, Mark, Yiu, Kong [CN/CN]; Flat 11A, Dawning Height, 80 Staunton Street, Central, Hong Kong, Hong Kong (CN). KWOK, Glen [CN/CN]; 29G, Block 2, Regentville 8 Wo Mun Street, Fanling, N.T. Hong Kong, Hong Kong (CN). NG, Gerald [CN/CN]; 813, Mei Po House Mei Tung Est., Kowloon City, Hong Kong, Hong

Kong (CN). MURPHY, Tim [US/US]; 309 Quail Run, Middletown, OH 45042 (US). LEUNG, CK [CN/CN]; 249, Sai Tao Wai Wang Chau, Yuen Long, N.T. Hong Kong, Hong Kong (CN).

(74) Agents: UTYKANSKI, David, P. et al.; Harness, Dickey & Pierce P.L.C., P.O. Box 828, Bloomfield Hills, MI 48303 (US).

(81) Designated States (unless otherwise indicated, for every kind of national protection available): AE, AG, AL, AM, AO, AT, AU, AZ, BA, BB, BG, BH, BR, BW, BY, BZ, CA, CH, CN, CO, CR, CU, CZ, DE, DK, DM, DO, DZ, EC, EE, EG, ES, FI, GB, GD, GE, GH, GM, GT, HN, HR, HU, ID, IL, IN, IS, JP, KE, KG, KM, KN, KP, KR, KZ, LA, LC, LK, LR, LS, LT, LU, LY, MA, MD, ME, MG, MK, MN, MW, MX, MY, MZ, NA, NG, NI, NO, NZ, OM, PG, PH, PL, PT, RO, RS, RU, SC, SD, SE, SG, SK, SL, SM, ST, SV, SY, TJ, TM, TN, TR, TT, TZ, UA, UG, US, UZ, VC, VN, ZA, ZM, ZW.

(84) Designated States (unless otherwise indicated, for every kind of regional protection available): ARIPO (BW, GH, GM, KE, LS, MW, MZ, NA, SD, SL, SZ, TZ, UG, ZM, ZW), Eurasian (AM, AZ, BY, KG, KZ, MD, RU, TJ, TM), European (AT, BE, BG, CH, CY, CZ, DE, DK, EE, ES, FI, FR, GB, GR, HR, HU, IE, IS, IT, LT, LU, LV, MC, MK, MT, NL, NO, PL, PT, RO, SE, SI, SK, TR),

[Continued on next page]

(54) Title: ELECTRIC POWER TERMINAL FEED-THROUGH

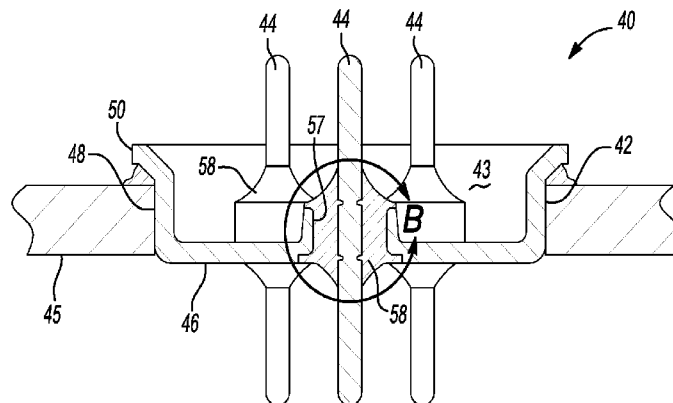
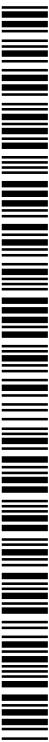


Fig-3

(57) Abstract: A power terminal feed-through includes a housing, at least one current conducting pin and a sealing glass hermetically sealing the at least one current conducting pin to the housing. The at least one current conducting pin defines a peripheral indentation in the surface of the current conducting pin. The sealing glass fills in the peripheral indentation when fused to both the current conducting pin and housing.



WO 2009/143123 A8



OAPI (BF, BJ, CF, CG, CI, CM, GA, GN, GQ, GW, ML,  
MR, NE, SN, TD, TG).

**(48) Date of publication of this corrected version:**

9 December 2010

**Published:**

— *with international search report (Art. 21(3))*

**(15) Information about Correction:**

see Notice of 9 December 2010

**(88) Date of publication of the international search report:**

4 March 2010