

[54] **COMBINED FOOD STORAGE AND SERVICE DISH**

2,463,719 3/1949 Schackett et al. 47/66
2,780,259 2/1957 Nalle, Jr. D9/219 X
4,092,804 6/1978 Morris et al. 47/66

[75] Inventor: **Rino Conti, Stoughton, Mass.**

[73] Assignee: **Dart Industries Inc., Northbrook, Ill.**

[*] Notice: The portion of the term of this patent subsequent to Jun. 8, 1996, has been disclaimed.

[**] Term: **14 Years**

[21] Appl. No.: **11,248**

[22] Filed: **Feb. 12, 1979**

[51] Int. Cl. **D07-01**

[52] U.S. Cl. **D7/1; D9/424; D9/431; D34/40**

[58] Field of Search 47/66, 67, 68, 71, 73; D11/155, 156, 143; D7/37, 1, 3, 41; D9/219, 242, 243; 220/23.8, 74; 206/519, 520, 518, 515; 229/2.5; D3/67

[56] **References Cited**

U.S. PATENT DOCUMENTS

D. 252,869 9/1979 Dziewulski D11/156 X
1,511,265 10/1924 Chilson D7/38 X

OTHER PUBLICATIONS

Idea 55, ©1955, Witte Born, Inc.-Publisher, p. 19, Top Panel #43-Franck 1953 Finland (square and rectangular dishes).

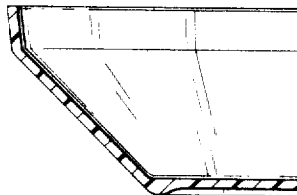
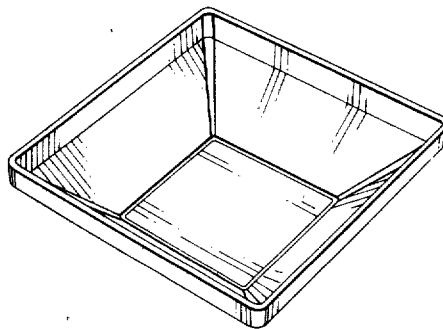
Primary Examiner—Winifred E. Herrmann
Attorney, Agent, or Firm—John A. Doninger

[57] **CLAIM**

The ornamental design for a combined food storage and service dish, substantially as shown and described.

DESCRIPTION

FIG. 1 is a top perspective view of a combined food storage and service dish showing my new design; FIG. 2 is a side elevational view thereof; FIG. 3 is a top plan view thereof; FIG. 4 is a bottom plan view thereof; and FIG. 5 is an enlarged partial cross-sectional view thereof taken along line 5-5 of FIG. 3. The design is characterized by a side wall comprising a generally planar outwardly angled upper side wall portion of substantially lesser vertical extent than the sharply inwardly angled lower side wall portion.



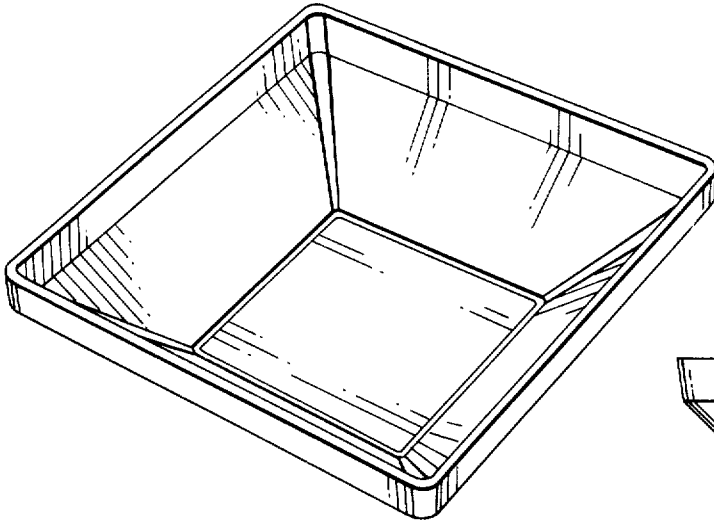


FIG. 1

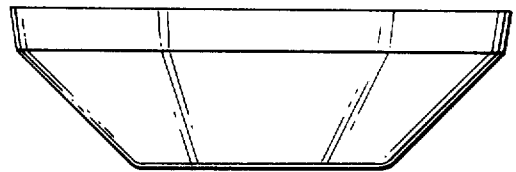


FIG. 2

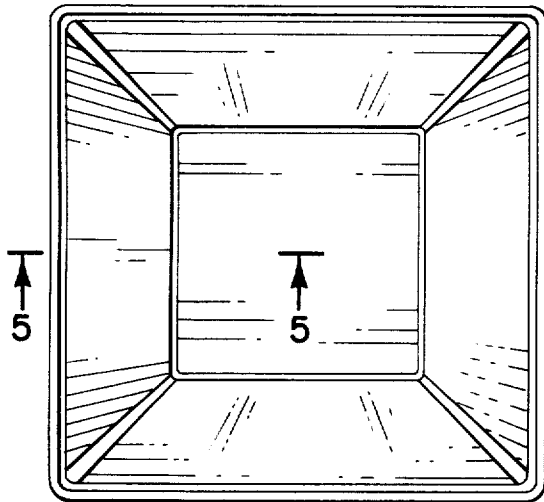


FIG. 3

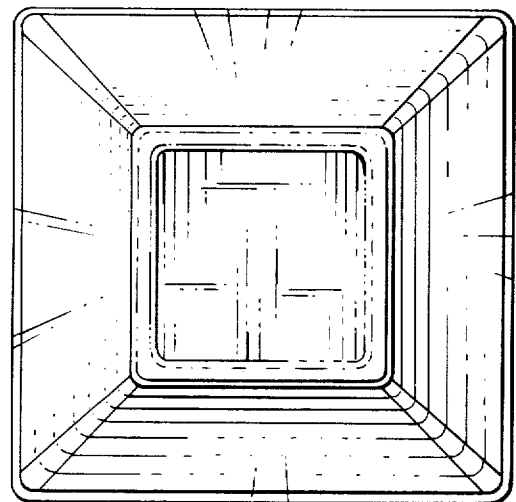


FIG. 4

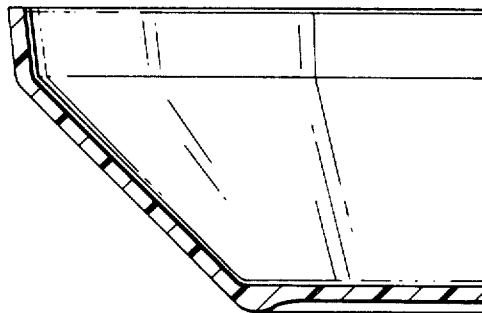


FIG. 5