



(51) International Patent Classification:

G01N 33/48 (2006.01) G01N 33/53 (2006.01)
G01N 33/50 (2006.01)

(21) International Application Number:

PCT/US2015/067383

(22) International Filing Date:

22 December 2015 (22.12.2015)

(25) Filing Language:

English

(26) Publication Language:

English

(30) Priority Data:

62/095,420 22 December 2014 (22.12.2014) US

(71) Applicant: **SIEMENS HEALTHCARE DIAGNOSTICS INC.** [US/US]; 511 Benedict Avenue, Tarrytown, New York 10591 (US).

(72) Inventor: **BENCO, John**; 139 Rolling Meadow Drive, Holliston, Massachusetts 01746 (US).

(74) Agents: **PETAJA, Kyle D.** et al.; Siemens Corporation, Intellectual Property Dept., 3501 Quadrangle Blvd Ste 230, Orlando, Florida 32817 (US).

(81) Designated States (unless otherwise indicated, for every kind of national protection available): AE, AG, AL, AM,

AO, AT, AU, AZ, BA, BB, BG, BH, BN, BR, BW, BY, BZ, CA, CH, CL, CN, CO, CR, CU, CZ, DE, DK, DM, DO, DZ, EC, EE, EG, ES, FI, GB, GD, GE, GH, GM, GT, HN, HR, HU, ID, IL, IN, IR, IS, JP, KE, KG, KN, KP, KR, KZ, LA, LC, LK, LR, LS, LU, LY, MA, MD, ME, MG, MK, MN, MW, MX, MY, MZ, NA, NG, NI, NO, NZ, OM, PA, PE, PG, PH, PL, PT, QA, RO, RS, RU, RW, SA, SC, SD, SE, SG, SK, SL, SM, ST, SV, SY, TH, TJ, TM, TN, TR, TT, TZ, UA, UG, US, UZ, VC, VN, ZA, ZM, ZW.

(84) Designated States (unless otherwise indicated, for every kind of regional protection available): ARIPO (BW, GH, GM, KE, LR, LS, MW, MZ, NA, RW, SD, SL, ST, SZ, TZ, UG, ZM, ZW), Eurasian (AM, AZ, BY, KG, KZ, RU, TJ, TM), European (AL, AT, BE, BG, CH, CY, CZ, DE, DK, EE, ES, FI, FR, GB, GR, HR, HU, IE, IS, IT, LT, LU, LV, MC, MK, MT, NL, NO, PL, PT, RO, RS, SE, SI, SK, SM, TR), OAPI (BF, BJ, CF, CG, CI, CM, GA, GN, GQ, GW, KM, ML, MR, NE, SN, TD, TG).

Published:

— with international search report (Art. 21(3))

(88) Date of publication of the international search report:

18 August 2016

(54) Title: FOLDABLE OPPOSING SENSOR ARRAY

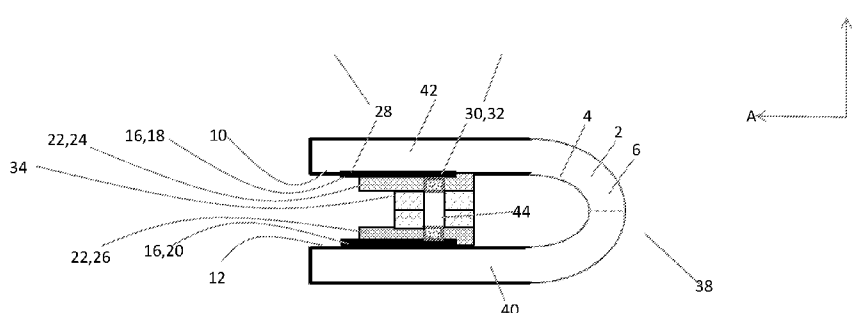


Fig. 7

(57) Abstract: A test device comprising a single substrate having a first surface with a first area that opposes a second area, a conductor layer disposed on the single substrate comprising a first group of electrodes printed in the first area and a second group of electrodes printed in the second area; a dielectric layer disposed on the conductor layer comprising a first area of dielectric material disposed on the first group of electrodes and a second area of dielectric material disposed on the second group of electrodes; and a spacer layer adjacent to the first area of dielectric material and the second area of dielectric material, the spacer layer forming a flow path between a first group and a second group of reaction wells.



WO 2016/106320 A3

INTERNATIONAL SEARCH REPORT

International application No.

PCT/US15/67383

A. CLASSIFICATION OF SUBJECT MATTER IPC(8) - G01N 33/48, 33/50, 33/53 (2016.01) CPC - G01N 33/50, 33/492, 33/5302 According to International Patent Classification (IPC) or to both national classification and IPC		
B. FIELDS SEARCHED Minimum documentation searched (classification system followed by classification symbols) IPC(8) - A61B 5/145, 5/1473; G01N27/26, 33/48, 33/49, 33/50, 33/53 (2016.01) CPC - A61B 5/145, 5/1473; G01N 3/00, 27/26, 33/48, 33/49, 33/483, 33/492, 33/493, 33/50, 33/53, 33/5302 USPC - 204/403.04; 435/4 Documentation searched other than minimum documentation to the extent that such documents are included in the fields searched Electronic data base consulted during the international search (name of data base and, where practicable, search terms used) PatSeer (US, EP, WO, JP, DE, GB, CN, FR, KR, ES, AU, IN, CA, INPADOC Data); Google/Google Scholar; EBSCO; IP.com; test; diagnostic, sensor, detector, fold, substrate, electrode, conductor, dielectric, insulator, reaction, well, chamber, break, broken, rupture, crack, perforate, fold, spacer, Siemens healthcare, benco john		
C. DOCUMENTS CONSIDERED TO BE RELEVANT		
Category*	Citation of document, with indication, where appropriate, of the relevant passages	Relevant to claim No.
X --- Y	US 2008/0248457 A1 (HOSOYA, T et al.) October 9, 2008; figures 4,14; paragraphs [0001], [0033], [0035], [0044]-[0049], [0051], [0176]-[0180], [0183], [0187], [0189], [0194]-[0195], [0211], [0214]	1-7, 10, 11/1-7, 11/10 --- 8-9, 11/8-9
Y	US 2005/0247573 A1 (NAKAMURA, H et al.) November 10, 2005; figures 14, 28h; paragraphs [00478], [0564]	8-9, 11/8-9
A	US 2012/0267245 A1 (CHAMBERS, G et al.) October 25, 2012; entire document	1-10, 11/1-10
A	US 2009/0260986 A1 (WANG, Y et al.) October 22, 2009; entire document	1-10, 11/1-10
<input type="checkbox"/> Further documents are listed in the continuation of Box C. <input type="checkbox"/> See patent family annex.		
* Special categories of cited documents: "A" document defining the general state of the art which is not considered to be of particular relevance "E" earlier application or patent but published on or after the international filing date "L" document which may throw doubts on priority claim(s) or which is cited to establish the publication date of another citation or other special reason (as specified) "O" document referring to an oral disclosure, use, exhibition or other means "P" document published prior to the international filing date but later than the priority date claimed "T" later document published after the international filing date or priority date and not in conflict with the application but cited to understand the principle or theory underlying the invention "X" document of particular relevance; the claimed invention cannot be considered novel or cannot be considered to involve an inventive step when the document is taken alone "Y" document of particular relevance; the claimed invention cannot be considered to involve an inventive step when the document is combined with one or more other such documents, such combination being obvious to a person skilled in the art "&" document member of the same patent family		
Date of the actual completion of the international search 6 February 2016 (06.02.2016)		Date of mailing of the international search report 25 FEB 2016
Name and mailing address of the ISA/ Mail Stop PCT, Attn: ISA/US, Commissioner for Patents P.O. Box 1450, Alexandria, Virginia 22313-1450 Facsimile No. 571-273-8300		Authorized officer Shane Thomas PCT Helpdesk: 571-272-4300 PCT OSP: 571-272-7774