



- (51) **International Patent Classification:**  
A61B 17/072 (2006.01) A61B 19/00 (2006.01)
- (21) **International Application Number:**  
PCT/US2014/014614
- (22) **International Filing Date:**  
4 February 2014 (04.02.2014)
- (25) **Filing Language:** English
- (26) **Publication Language:** English
- (30) **Priority Data:**  
13/763,177 8 February 2013 (08.02.2013) US
- (71) **Applicant:** ETHICON ENDO-SURGERY, INC. [US/US]; 4545 Creek Road, Cincinnati, Ohio 45242 (US).
- (72) **Inventors:** SHELTON, IV, Frederick E.; 245 East Main Street, Hillsboro, Ohio 45133 (US). MORGAN, Jerome R.; 3275 S. Whitetree Circle, Cincinnati, Ohio 45236 (US). SWAYZE, Jeffrey S.; 7047 Birchley Drive, Hamilton, Ohio 45011 (US). VENDELY, Michael J.; 1505 Shaker Run Blvd., Lebanon, Ohio 45036 (US). ARONHALT, Taylor W.; 306 Beech Road, Loveland, Ohio 45140 (US).
- (74) **Agents:** JOHNSON, Philip S. et al.; Johnson & Johnson, One Johnson & Johnson Plaza, New Brunswick, New Jersey 08933 (US).
- (81) **Designated States** (unless otherwise indicated, for every kind of national protection available): AE, AG, AL, AM, AO, AT, AU, AZ, BA, BB, BG, BH, BN, BR, BW, BY,

BZ, CA, CH, CL, CN, CO, CR, CU, CZ, DE, DK, DM, DO, DZ, EC, EE, EG, ES, FI, GB, GD, GE, GH, GM, GT, HN, HR, HU, ID, IL, IN, IR, IS, JP, KE, KG, KN, KP, KR, KZ, LA, LC, LK, LR, LS, LT, LU, LY, MA, MD, ME, MG, MK, MN, MW, MX, MY, MZ, NA, NG, NI, NO, NZ, OM, PA, PE, PG, PH, PL, PT, QA, RO, RS, RU, RW, SA, SC, SD, SE, SG, SK, SL, SM, ST, SV, SY, TH, TJ, TM, TN, TR, TT, TZ, UA, UG, US, UZ, VC, VN, ZA, ZM, ZW.

- (84) **Designated States** (unless otherwise indicated, for every kind of regional protection available): ARIPO (BW, GH, GM, KE, LR, LS, MW, MZ, NA, RW, SD, SL, SZ, TZ, UG, ZM, ZW), Eurasian (AM, AZ, BY, KG, KZ, RU, TJ, TM), European (AL, AT, BE, BG, CH, CY, CZ, DE, DK, EE, ES, FI, FR, GB, GR, HR, HU, IE, IS, IT, LT, LU, LV, MC, MK, MT, NL, NO, PL, PT, RO, RS, SE, SI, SK, SM, TR), OAPI (BF, BJ, CF, CG, CI, CM, GA, GN, GQ, GW, KM, ML, MR, NE, SN, TD, TG).

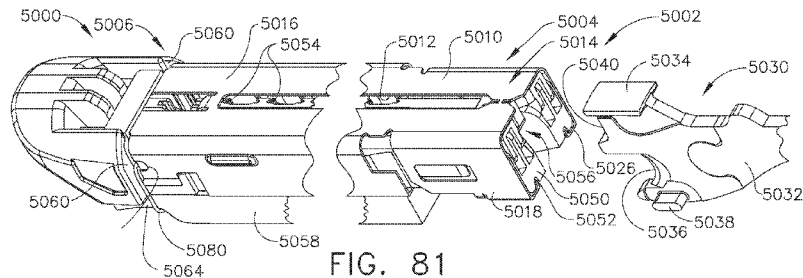
**Declarations under Rule 4.17:**

- as to the identity of the inventor (Rule 4.17(i))
- as to applicant's entitlement to apply for and be granted a patent (Rule 4.17(ii))
- as to the applicant's entitlement to claim the priority of the earlier application (Rule 4.17(iii))

**Published:**

- with international search report (Art. 21(3))

(54) **Title:** ACTUATOR FOR RELEASING A LAYER OF MATERIAL FROM A SURGICAL END EFFECTOR



(57) **Abstract:** An end effector assembly (5000) for use with a surgical instrument. The end effector assembly can comprise an anvil, a fastener cartridge (5050) including fastener cavities (5054), fasteners removably positioned in the fastener cavities, a piece of butress material (5058) releasably secured intermediate the anvil and the fastener cartridge, a connector (5080), and an actuator (5010) configured to overcome the connector when actuated. The connector can secure the piece of butress material relative to the anvil or the fastener cartridge at a location that is distal to at least one fastener cavity. The actuator can overcome the connector prior to the removal of the fasteners from the fastener cavities. Further, the actuator can extend past the fasteners in the fastener cavities, and can be actuated proximal to the fastener cavities.

WO 2014/123867 A1

## TITLE

**ACTUATOR FOR RELEASING A LAYER OF MATERIAL FROM A SURGICAL END EFFECTOR**

## CROSS REFERENCE TO RELATED APPLICATION

**[0001]** This non-provisional patent application is a continuation-in-part application under 35 U.S.C. §120 of U.S. Patent Application Ser. No. 12/032,002, entitled **SURGICAL END EFFECTOR HAVING BUTTRESS RETENTION FEATURES**, filed on February 15, 2008, now U.S. Patent Publication No. 2009/0206143, the entire disclosure of which is hereby incorporated by reference herein.

## BACKGROUND

**[0002]** The present invention relates to surgical instruments and, in various embodiments, to surgical cutting and stapling instruments and staple cartridges therefor that are designed to cut and staple tissue.

## BRIEF DESCRIPTION OF THE DRAWINGS

**[0003]** The features and advantages of this invention, and the manner of attaining them, will become more apparent and the invention itself will be better understood by reference to the following description of exemplary embodiments of the invention taken in conjunction with the accompanying drawings, wherein:

**[0004]** FIG. 1 is a perspective view of an end effector assembly attached to a distal end of a surgical instrument in accordance with one non-limiting embodiment of the present invention;

**[0005]** FIG. 2 is a perspective view of an end effector assembly including at least one piece of buttress material, wherein the end effector assembly is in an open configuration in accordance with one non-limiting embodiment of the present invention;

**[0006]** FIG. 3 is a perspective view of a staple cartridge of the end effector assembly of FIG. 2, wherein the buttress material is releasably retained thereto;

**[0007]** FIG. 4 is a partial perspective view of an end effector assembly with some components removed, wherein the end effector assembly includes a retractable member configured to releasably retain at least one piece of buttress material;

**[0008]** FIG. 5 is a perspective view of an anvil of the end effector assembly of FIG. 2, wherein the anvil has at least one piece of buttress material releasably retained thereto;

**[0009]** FIG. 6 is an exploded view of an end effector assembly including a staple cartridge and an anvil in accordance with one non-limiting embodiment of the present invention;

**[0010]** FIG. 7 is an exploded view of the end effector assembly of FIG. 6 with some components removed;

**[0011]** FIG. 8 is an exploded perspective view of a staple cartridge and a piece of buttress material, wherein the piece of buttress material includes a plurality of members extending therefrom;

**[0012]** FIG. 9 is a cross-sectional view of a piece of buttress material including members engaged with staple cavities of a staple cartridge in accordance with one non-limiting embodiment of the present invention;

**[0013]** FIG. 10 is an exploded view of FIG. 9 illustrating the members separated from the staple cavities of the staple cartridge in accordance with one non-limiting embodiment of the present invention;

**[0014]** FIG. 11 is an exploded perspective view of a handle assembly of a surgical stapling instrument;

**[0015]** FIG. 12 is a side cross-sectional view of the surgical stapling instrument shown in FIG. 11 illustrating the handle assembly in a non-actuated position;

**[0016]** FIG. 13 is an exploded perspective view of a portion of the surgical stapling instrument shown in FIG. 11;

**[0017]** FIG. 14 is an enlarged view of the indicated area of detail shown in FIG. 12;

**[0018]** FIG. 15 is a perspective view of a non-articulating disposable loading unit usable with the surgical stapling instrument shown in FIG. 11;

**[0019]** FIG. 16 is a perspective view of an articulating disposable loading unit usable with the surgical stapling instrument shown in FIG. 11;

**[0020]** FIG. 17 is a perspective view of a disposable loading unit usable with the surgical stapling instrument of FIG. 11;

**[0021]** FIG. 18 is another perspective view of a disposable loading unit usable with the surgical stapling instrument of FIG. 11;

**[0022]** FIG. 19 is an exploded perspective view of an end effector for use with the surgical stapling instrument of FIG. 11;



[0023] FIG. 20 is an enlarged perspective view of the distal end of a staple cartridge for use with the surgical stapling instrument shown in FIG. 11;

[0024] FIG. 21 is a side cross-sectional view taken along the section line indicated in FIG. 20;

[0025] FIG. 22 is a bottom perspective view of the staple cartridge shown in FIG. 20;

[0026] FIG. 23 is an enlarged perspective view of the actuation sled, the pushers and the fasteners shown in FIG. 21;

[0027] FIG. 24 is an enlarged perspective view of the mounting assembly of the disposable loading unit shown in FIG. 17 mounted to a distal end portion of the proximal housing portion;

[0028] FIG. 25 is an enlarged perspective view of the proximal housing portion and the mounting assembly of the disposable loading unit shown in FIG. 17 with the upper housing half removed;

[0029] FIG. 26 is a perspective view of the proximal housing portion and the mounting assembly of the disposable loading unit shown in FIG. 17 with the upper housing half removed;

[0030] FIG. 27 is a perspective view with parts separated of an axial drive assembly;

[0031] FIG. 28 is a perspective view of the surgical stapling apparatus shown in FIG. 11 with the disposable loading unit of FIG. 17 detached therefrom;

[0032] FIG. 29 is another perspective view of the surgical stapling instrument of FIG. 1;

[0033] FIG. 30 is an exploded view of an end effector assembly for use with the surgical stapling instrument of FIG. 29;

[0034] FIG. 31 is a perspective view of a staple cartridge portion of the end effector assembly of FIG. 30;

[0035] FIG. 32 is a partial perspective view of an end effector for use with the surgical stapling instrument of FIG. 29;

[0036] FIG. 33 is a partial detail view of the end effector of FIG. 32;

[0037] FIG. 33A is an exploded perspective view of an end effector of a stapling instrument comprising a staple cartridge and a tissue thickness compensator according to various embodiments;

[0038] FIG. 34 is a perspective view of tissue thickness compensators fastened to tissue according to various embodiments;

[0039] FIG. 35 is a partial cross sectional view of a tissue thickness compensator including a plurality of openings and a plurality of cavities according to various embodiments;

[0040] FIG. 36 is a perspective view of a tissue thickness compensator including pyramid-shaped cleats according to various embodiments;

[0041] FIG. 37 is a cross sectional view of the tissue thickness compensator in FIG. 36;

[0042] FIG. 38 is a perspective view of a corrugated tissue thickness compensator according to various embodiments;

[0043] FIG. 39 is a cross sectional view of the tissue thickness compensator in FIG. 38;

[0044] FIG. 40 is a perspective view of a tissue thickness compensator including a scalloped outer edge according to various embodiments;

[0045] FIG. 41 is a perspective view of a tissue thickness compensator including a scalloped outer edge according to various embodiments;

[0046] FIG. 42 is a perspective view of a tissue thickness compensator including a cushioning member according to various embodiments;

[0047] FIG. 43 is a cross sectional view of the tissue thickness compensator in FIG. 42;

[0048] FIG. 44 is a cross sectional view of the tissue thickness compensator of FIG. 42 fastened to tissue according to various embodiments;

[0049] FIG. 45 is a perspective view of a tissue thickness compensator including a rolled outer edge according to various embodiments;

[0050] FIG. 46 is a partial cross sectional view of the rolled outer edge in FIG. 45;

[0051] FIG. 47 is an exploded perspective view of an end effector of a stapling instrument comprising a staple cartridge and a tissue thickness compensator according to various embodiments;

[0052] FIG. 48 is a cross sectional view of the tissue thickness compensator in FIG. 47 according to various embodiments;

[0053] FIG. 49 is a top view of a tissue thickness compensator including a plurality of circular pieces according to various embodiments;

[0054] FIG. 50 is a top view of a tissue thickness compensator including a plurality of circular pieces according to various embodiments;

[0055] FIG. 51 is a cross sectional view of a tissue thickness compensator according to various embodiments;

[0056] FIG. 52 is a top view of a tissue thickness compensator according to various embodiments;

[0057] FIG. 53 is a top view of a tissue thickness compensator including a plurality of hexagonal pieces according to various embodiments;

[0058] FIG. 54 is a top view of a fastened tissue thickness compensator including a plurality of pieces according to various embodiments;

[0059] FIG. 55 is a top view of a tissue thickness compensator including a plurality of slits according to various embodiments;

[0060] FIG. 55A is an exploded perspective view of an end effector of a stapling instrument comprising a staple cartridge and a tissue thickness compensator according to various embodiments;

[0061] FIG. 55B is a cross sectional view of tissue thickness compensators fastened to tissue according to various embodiments;

[0062] FIG. 56 is a perspective view of a tissue thickness compensator according to various embodiments;

[0063] FIG. 57 is a detail view of the tissue thickness compensator in FIG. 56;

[0064] FIG. 58 is a plan view of two layers at least partially overlapping with each other;

[0065] FIG. 59 is a perspective view of a staple cartridge utilizing one of the layers illustrated in FIG. 58;

[0066] FIG. 60 is a perspective view of a layer configured to be used in connection with a staple cartridge;

[0067] FIG. 60A is a perspective view of the layer of FIG. 60 attached to a staple cartridge;

[0068] FIG. 60B is a detail view of adjacent layers at least partially overlapping with each other;

[0069] FIG. 61 is an exploded view of a staple cartridge assembly including a cartridge body and a layer assembly which includes a first layer and a second layer;

[0070] FIG. 62 is a side view of tissue T captured between layer assemblies by fired staples from the staple cartridge assembly of FIG. 61;

[0071] FIG. 63 is a cross-sectional view of the layer assembly of FIG. 61 showing the first layer and the second layer;

[0072] FIG. 64 is a perspective view of a fastener cartridge assembly for use with an end effector assembly according to various embodiments of the present disclosure, depicting a layer of material released from a cartridge body of the fastener cartridge assembly;

[0073] FIG. 65 is an elevation view of the fastener cartridge assembly of FIG. 64 with various elements removed therefrom, depicting the layer of material secured to the cartridge body by a proximal connector and by a distal connector, and further depicting a firing assembly in an unfired position;

[0074] FIG. 66 is an elevation view of the fastener cartridge assembly of FIG. 64 with various elements removed therefrom, depicting the layer of material secured to the cartridge body by the distal connector, and further depicting the firing assembly in a partially fired position;

**[0075]** FIG. 67 is a perspective view of a fastener cartridge assembly for use with an end effector assembly according to various embodiments of the present disclosure, depicting a layer of material released from a cartridge body of the fastener cartridge assembly;

**[0076]** FIG. 68 is a perspective view of the fastener cartridge assembly of FIG. 67, depicting the layer of material secured to the cartridge body by a proximal connector and by a distal connector;

**[0077]** FIG. 69 is a cross-sectional, perspective view of the fastener cartridge assembly of FIG. 67 taken along the plane indicated in FIG. 68, depicting the layer of material secured to the cartridge body by the proximal connector;

**[0078]** FIG. 70 is a cross-sectional, elevation view of the layer of material of FIG. 67 taken along the plane indicated in FIG. 68;

**[0079]** FIG. 71 is a cross-sectional, elevation view of a layer of material for use with an end effector assembly according to various embodiments of the present disclosure;

**[0080]** FIG. 72 is a perspective view of a fastener cartridge assembly for use with an end effector assembly according to various embodiments of the present disclosure, depicting a layer of material released from a cartridge body of the fastener cartridge assembly;

**[0081]** FIG. 73 is a perspective view of the fastener cartridge assembly of FIG. 72, depicting the layer of material secured to the cartridge body by a first connector and by a second connector;

**[0082]** FIG. 74 is a cross-sectional, perspective view of the fastener cartridge assembly of FIG. 72 taken along the plane indicated in FIG. 73, depicting the layer of material secured to the cartridge body by the proximal connector of FIG. 73;

**[0083]** FIG. 75 is a cross-sectional, elevation view of the layer of material of FIG. 72 taken along the plane indicated in FIG. 73;

**[0084]** FIG. 76 is a perspective view of a fastener cartridge assembly for use with an end effector assembly according to various embodiments of the present disclosure, depicting a layer of material released from a cartridge body of the fastener cartridge assembly;

**[0085]** FIG. 77 is a perspective view of the fastener cartridge assembly of FIG. 76, depicting the layer of material secured to the cartridge body by a proximal connector and by a distal connector;

**[0086]** FIG. 78 is a perspective view of a fastener cartridge assembly for use with an end effector assembly according to various embodiments of the present disclosure, depicting a layer of material released from a cartridge body of the fastener cartridge assembly;

**[0087]** FIG. 79 is a cross-sectional, elevation view of the fastener cartridge assembly of FIG. 78, depicting the layer of material secured to the cartridge body;

**[0088]** FIG. 80 is a cross-sectional, perspective view of the fastener cartridge assembly of FIG. 78, depicting the layer of material secured to the cartridge body;

**[0089]** FIG. 80A is a perspective view of a layer of material for use with an end effector assembly according to various embodiments of the present disclosure;

**[0090]** FIG. 80B is a perspective view of the layer of material of FIG. 80A;

**[0091]** FIG. 81 is a partial, perspective view of a jaw of an end effector assembly according to various embodiments of the present disclosure, depicting a layer of material secured to a cartridge body by a distal connector, and further depicting an actuator in a pre-actuated position;

**[0092]** FIG. 82 is a partial, perspective view of the jaw of FIG. 81, depicting a firing assembly against a release stop of the actuator, depicting the actuator in an actuated position, and further depicting the distal connector broken by the actuator;

**[0093]** FIG. 83 is a partial, perspective view of the jaw of FIG. 81, depicting the release stop of the actuator broken by the firing assembly, and further depicting the foot of the firing assembly distal to the release stop;

**[0094]** FIG. 84 is a detail, perspective view of the release stop of FIG. 83 broken by the firing assembly;

**[0095]** FIG. 85 is a perspective view of a jaw of an end effector assembly according to various embodiments of the present disclosure, the jaw having various elements removed therefrom, depicting an actuator in a pre-actuated position, and further depicting a distal connector;

**[0096]** FIG. 86 is a partial, perspective view of the jaw of FIG. 85, depicting the actuator in an actuated position, and further depicting the distal connector broken by the actuator;

**[0097]** FIG. 87 is an exploded view of a staple cartridge and a tissue thickness compensator in accordance with at least one embodiment;



**[0098]** FIG. 88A is a cross-sectional view of the staple cartridge and the tissue thickness compensator of FIG. 87 showing unformed staples supported by staple drivers;

**[0099]** FIG. 88B is a cross-sectional view of the tissue thickness compensator of FIG. 87 captured by formed staples;

**[0100]** FIG. 88 is a cross-sectional view of a tissue thickness compensator in accordance with at least one embodiment;

**[0101]** FIG. 89 is a cross-sectional view of a tissue thickness compensator in accordance with at least one embodiment; and

**[0102]** FIG. 90 is a cross-sectional view of a tissue thickness compensator in accordance with at least one embodiment.

#### DETAILED DESCRIPTION

**[0103]** The Applicant of the present application also owns the U.S. Patent Applications identified below which are each herein incorporated by reference in their respective entirety:

U.S. Patent Application Serial No. 12/894,311, entitled SURGICAL INSTRUMENTS WITH RECONFIGURABLE SHAFT SEGMENTS, now U.S. Patent Publication No. 2012/0080496;

U.S. Patent Application Serial No. 12/894,340, entitled SURGICAL STAPLE CARTRIDGES SUPPORTING NON-LINEARLY ARRANGED STAPLES AND SURGICAL STAPLING INSTRUMENTS WITH COMMON STAPLE-FORMING POCKETS, now U.S. Patent Publication No. 2012/0080482;

U.S. Patent Application Serial No. 12/894,327, entitled JAW CLOSURE ARRANGEMENTS FOR SURGICAL INSTRUMENTS, now U.S. Patent Publication No. 2012/0080499;

U.S. Patent Application Serial No. 12/894,351, entitled SURGICAL CUTTING AND FASTENING INSTRUMENTS WITH SEPARATE AND DISTINCT FASTENER DEPLOYMENT AND TISSUE CUTTING SYSTEMS, now U.S. Patent Publication No. 2012/0080502;

U.S. Patent Application Serial No. 12/894,338, entitled IMPLANTABLE FASTENER CARTRIDGE HAVING A NON-UNIFORM ARRANGEMENT, now U.S. Patent Publication No. 2012/0080481;

U.S. Patent Application Serial No. 12/894,369, entitled IMPLANTABLE FASTENER CARTRIDGE COMPRISING A SUPPORT RETAINER, now U.S. Patent Publication No. 2012/0080344;

U.S. Patent Application Serial No. 12/894,312, entitled IMPLANTABLE FASTENER CARTRIDGE COMPRISING MULTIPLE LAYERS, now U.S. Patent Publication No. 2012/0080479;

U.S. Patent Application Serial No. 12/894,377, entitled SELECTIVELY ORIENTABLE IMPLANTABLE FASTENER CARTRIDGE, now U.S. Patent Publication No. 2012/0080334;

U.S. Patent Application Serial No. 12/894,339, entitled SURGICAL STAPLING INSTRUMENT WITH COMPACT ARTICULATION CONTROL ARRANGEMENT, now U.S. Patent Publication No. 2012/0080500;

U.S. Patent Application Serial No. 12/894,360, entitled SURGICAL STAPLING INSTRUMENT WITH A VARIABLE STAPLE FORMING SYSTEM, now U.S. Patent Publication No. 2012/0080484;

U.S. Patent Application Serial No. 12/894,322, entitled SURGICAL STAPLING INSTRUMENT WITH INTERCHANGEABLE STAPLE CARTRIDGE ARRANGEMENTS, now U.S. Patent Publication No. 2012/0080501;

U.S. Patent Application Serial No. 12/894,350, entitled SURGICAL STAPLE CARTRIDGES WITH DETACHABLE SUPPORT STRUCTURES AND SURGICAL STAPLING INSTRUMENTS WITH SYSTEMS FOR PREVENTING ACTUATION MOTIONS WHEN A CARTRIDGE IS NOT PRESENT, now U.S. Patent Publication No. 2012/0080478;

U.S. Patent Application Serial No. 12/894,383, entitled IMPLANTABLE FASTENER CARTRIDGE COMPRISING BIOABSORBABLE LAYERS, now U.S. Patent Publication No. 2012/0080345;

U.S. Patent Application Serial No. 12/894,389, entitled COMPRESSIBLE FASTENER CARTRIDGE, now U.S. Patent Publication No. 2012/0080335;

U.S. Patent Application Serial No. 12/894,345, entitled FASTENERS SUPPORTED BY A FASTENER CARTRIDGE SUPPORT, now U.S. Patent Publication No. 2012/0080483;

U.S. Patent Application Serial No. 12/894,306, entitled COLLAPSIBLE FASTENER CARTRIDGE, now U.S. Patent Publication No. 2012/0080332;

U.S. Patent Application Serial No. 12/894,318, entitled FASTENER SYSTEM COMPRISING A PLURALITY OF CONNECTED RETENTION MATRIX ELEMENTS, now U.S. Patent Publication No. 2012/0080480;

U.S. Patent Application Serial No. 12/894,330, entitled FASTENER SYSTEM COMPRISING A RETENTION MATRIX AND AN ALIGNMENT MATRIX, now U.S. Patent Publication No. 2012/0080503;

U.S. Patent Application Serial No. 12/894,361, entitled FASTENER SYSTEM COMPRISING A RETENTION MATRIX, now U.S. Patent Publication No. 2012/0080333;

U.S. Patent Application Serial No. 12/894,367, entitled FASTENING INSTRUMENT FOR DEPLOYING A FASTENER SYSTEM COMPRISING A RETENTION MATRIX, now U.S. Patent Publication No. 2012/0080485;

U.S. Patent Application Serial No. 12/894,388, entitled FASTENER SYSTEM COMPRISING A RETENTION MATRIX AND A COVER, now U.S. Patent Publication No. 2012/0080487;

U.S. Patent Application Serial No. 12/894,376, entitled FASTENER SYSTEM COMPRISING A PLURALITY OF FASTENER CARTRIDGES, now U.S. Patent Publication No. 2012/0080486;

U.S. Patent Application Serial No. 13/097,865, entitled SURGICAL STAPLER ANVIL COMPRISING A PLURALITY OF FORMING POCKETS, now U.S. Patent Publication No. 2012/0080488;

U.S. Patent Application Serial No. 13/097,936, entitled TISSUE THICKNESS COMPENSATOR FOR A SURGICAL STAPLER, now U.S. Patent Publication No. 2012/0080339;

U.S. Patent Application Serial No. 13/097,954, entitled STAPLE CARTRIDGE COMPRISING A VARIABLE THICKNESS COMPRESSIBLE PORTION, now U.S. Patent Publication No. 2012/0080340;

U.S. Patent Application Serial No. 13/097,856, entitled STAPLE CARTRIDGE COMPRISING STAPLES POSITIONED WITHIN A COMPRESSIBLE PORTION THEREOF, now U.S. Patent Publication No. 2012/0080336;

U.S. Patent Application Serial No. 13/097,928, entitled TISSUE THICKNESS COMPENSATOR COMPRISING DETACHABLE PORTIONS, now U.S. Patent Publication No. 2012/0080490;

U.S. Patent Application Serial No. 13/097,891, entitled TISSUE THICKNESS COMPENSATOR FOR A SURGICAL STAPLER COMPRISING AN ADJUSTABLE ANVIL, now U.S. Patent Publication No. 2012/0080489;

U.S. Patent Application Serial No. 13/097,948, entitled STAPLE CARTRIDGE COMPRISING AN ADJUSTABLE DISTAL PORTION, now U.S. Patent Publication No. 2012/0083836;

U.S. Patent Application Serial No. 13/097,907, entitled COMPRESSIBLE STAPLE CARTRIDGE ASSEMBLY, now U.S. Patent Publication No. 2012/0080338;

U.S. Patent Application Serial No. 13/097,861, entitled TISSUE THICKNESS COMPENSATOR COMPRISING PORTIONS HAVING DIFFERENT PROPERTIES, now U.S. Patent Publication No. 2012/0080337;

U.S. Patent Application Serial No. 13/097,869, entitled STAPLE CARTRIDGE LOADING ASSEMBLY, now U.S. Patent Publication No. 2012/0160721;

U.S. Patent Application Serial No. 13/097,917, entitled COMPRESSIBLE STAPLE CARTRIDGE COMPRISING ALIGNMENT MEMBERS, now U.S. Patent Publication No. 2012/0083834;

U.S. Patent Application Serial No. 13/097,873, entitled STAPLE CARTRIDGE COMPRISING A RELEASABLE PORTION, now U.S. Patent Publication No. 2012/0083833;

U.S. Patent Application Serial No. 13/097,938, entitled STAPLE CARTRIDGE COMPRISING COMPRESSIBLE DISTORTION RESISTANT COMPONENTS, now U.S. Patent Publication No. 2012/0080491;

U.S. Patent Application Serial No. 13/097,924, entitled STAPLE CARTRIDGE COMPRISING A TISSUE THICKNESS COMPENSATOR, now U.S. Patent Publication No. 2012/0083835;

U.S. Patent Application Serial No. 13/242,029, entitled SURGICAL STAPLER WITH FLOATING ANVIL, now U.S. Patent Publication No. 2012/0080493;

U.S. Patent Application Serial No. 13/242,066, entitled CURVED END EFFECTOR FOR A STAPLING INSTRUMENT, now U.S. Patent Publication No. 2012/0080498;

U.S. Patent Application Serial No. 13/242,086, entitled STAPLE CARTRIDGE INCLUDING COLLAPSIBLE DECK;

U.S. Patent Application Serial No. 13/241,912, entitled STAPLE CARTRIDGE INCLUDING COLLAPSIBLE DECK ARRANGEMENT;

U.S. Patent Application Serial No. 13/241,922, entitled SURGICAL STAPLER WITH STATIONARY STAPLE DRIVERS;

U.S. Patent Application Serial No. 13/241,637, entitled SURGICAL INSTRUMENT WITH TRIGGER ASSEMBLY FOR GENERATING MULTIPLE ACTUATION MOTIONS, now U.S. Patent Publication No. 2012/0074201;

U.S. Patent Application Serial No. 13/241,629, entitled SURGICAL INSTRUMENT WITH SELECTIVELY ARTICULATABLE END EFFECTOR, now U.S. Patent Publication No. 2012/0074200;

U.S. Application Serial No. 13/433,096, entitled TISSUE THICKNESS COMPENSATOR COMPRISING A PLURALITY OF CAPSULES, now U.S. Patent Publication No. 2012/0241496;

U.S. Application Serial No. 13/433,103, entitled TISSUE THICKNESS COMPENSATOR COMPRISING A PLURALITY OF LAYERS, now U.S. Patent Publication No. 2012/0241498;

U.S. Application Serial No. 13/433,098, entitled EXPANDABLE TISSUE THICKNESS COMPENSATOR, now U.S. Patent Publication No. 2012/0241491;

U.S. Application Serial No. 13/433,102, entitled TISSUE THICKNESS COMPENSATOR COMPRISING A RESERVOIR, now U.S. Patent Publication No. 2012/0241497;

U.S. Application Serial No. 13/433,114, entitled RETAINER ASSEMBLY INCLUDING A TISSUE THICKNESS COMPENSATOR, now U.S. Patent Publication No. 2012/0241499;

U.S. Application Serial No. 12/433,136, entitled TISSUE THICKNESS COMPENSATOR COMPRISING AT LEAST ONE MEDICAMENT, now U.S. Patent Publication No. 2012/0241492;

U.S. Application Serial No. 13/433,141, entitled TISSUE THICKNESS COMPENSATOR COMPRISING CONTROLLED RELEASE AND EXPANSION, now U.S. Patent Publication No. 2012/0241493;

U.S. Application Serial No. 13/433,144, entitled TISSUE THICKNESS COMPENSATOR COMPRISING FIBERS TO PRODUCE A RESILIENT LOAD, now U.S. Patent Publication No. 2012/0241500;

U.S. Application Serial No. 13/433,148, entitled TISSUE THICKNESS COMPENSATOR COMPRISING STRUCTURE TO PRODUCE A RESILIENT LOAD, now U.S. Patent Publication No. 2012/0241501;

U.S. Application Serial No. 13/433,155, entitled TISSUE THICKNESS COMPENSATOR COMPRISING RESILIENT MEMBERS, now U.S. Patent Publication No. 2012/0241502;

U.S. Application Serial No. 13/433,163, entitled METHODS FOR FORMING TISSUE THICKNESS COMPENSATOR ARRANGEMENTS FOR SURGICAL STAPLERS, now U.S. Patent Publication No. 2012/0248169;

U.S. Application Serial No. 13/433,167, entitled TISSUE THICKNESS COMPENSATORS, now U.S. Patent Publication No. 2012/0241503;

U.S. Application Serial No. 13/433,175, entitled LAYERED TISSUE THICKNESS COMPENSATOR, now U.S. Patent Publication No. 2012/0253298;



U.S. Application Serial No. 13/433,179, entitled TISSUE THICKNESS COMPENSATORS FOR CIRCULAR SURGICAL STAPLERS, now U.S. Patent Publication No. 2012/0241505;

U.S. Application Serial No. 13/433,115, entitled TISSUE THICKNESS COMPENSATOR COMPRISING CAPSULES DEFINING A LOW PRESSURE ENVIRONMENT;

U.S. Application Serial No. 13/433,118, entitled TISSUE THICKNESS COMPENSATOR COMPRISED OF A PLURALITY OF MATERIALS;

U.S. Application Serial No. 13/433,135, entitled MOVABLE MEMBER FOR USE WITH A TISSUE THICKNESS COMPENSATOR;

U.S. Application Serial No. 13/433,140, entitled TISSUE THICKNESS COMPENSATOR AND METHOD FOR MAKING THE SAME;

U.S. Application Serial No. 13/433,147, entitled TISSUE THICKNESS COMPENSATOR COMPRISING CHANNELS;

U.S. Application Serial No. 13/433,126, entitled TISSUE THICKNESS COMPENSATOR COMPRISING TISSUE INGROWTH FEATURES;

U.S. Application Serial No. 13/433,132, entitled DEVICES AND METHODS FOR ATTACHING TISSUE THICKNESS COMPENSATING MATERIALS TO SURGICAL STAPLING INSTRUMENTS; and

U.S. Application Serial No. 13/433,129, entitled TISSUE THICKNESS COMPENSATOR COMPRISING A PLURALITY OF MEDICAMENTS.

**[0104]** The Applicant of the present application also owns the U.S. Patent Applications identified below which are each herein incorporated by reference in their respective entirety:

U.S. Application Serial No. 11/216,562, entitled STAPLE CARTRIDGES FOR FORMING STAPLES HAVING DIFFERING FORMED STAPLE HEIGHTS, now U.S. Patent No. 7,669,746;

U.S. Application Serial No. 11/714,049, entitled SURGICAL STAPLING DEVICE WITH ANVIL HAVING STAPLE FORMING POCKETS OF VARYING DEPTHS, now U.S. Patent Publication No. 2007/0194082;

U.S. Application Serial No. 11/711,979, entitled SURGICAL STAPLING DEVICES THAT PRODUCE FORMED STAPLES HAVING DIFFERENT LENGTHS, now U.S. Patent No. 8,317,070;

U.S. Application Serial No. 11/711,975, entitled SURGICAL STAPLING DEVICE WITH STAPLE DRIVERS OF DIFFERENT HEIGHT, now U.S. Patent Publication No. 2007/0194079;

U.S. Application Serial No. 11/711,977, entitled SURGICAL STAPLING DEVICE WITH STAPLE DRIVER THAT SUPPORTS MULTIPLE WIRE DIAMETER STAPLES, now U.S. Patent No. 7,673,781;

U.S. Application Serial No. 11/712,315, entitled SURGICAL STAPLING DEVICE WITH MULTIPLE STACKED ACTUATOR WEDGE CAMS FOR DRIVING STAPLE DRIVERS, now U.S. Patent No. 7,500,979;

U.S. Application Serial No. 12/038,939, entitled STAPLE CARTRIDGES FOR FORMING STAPLES HAVING DIFFERING FORMED STAPLE HEIGHTS, now U.S. Patent No. 7,934,630;

U.S. Application Serial No. 13/020,263, entitled SURGICAL STAPLING SYSTEMS THAT PRODUCE FORMED STAPLES HAVING DIFFERENT LENGTHS, now U.S. Patent Publication No. 2011/0147434;

U.S. Application Serial No. 13/118,278, entitled ROBOTICALLY-CONTROLLED SURGICAL STAPLING DEVICES THAT PRODUCE FORMED STAPLES HAVING DIFFERENT LENGTHS, now U.S. Patent Publication No. 2011/0290851;

U.S. Application Serial No. 13/369,629, entitled ROBOTICALLY-CONTROLLED CABLE-BASED SURGICAL END EFFECTORS, now U.S. Patent Publication No. 2012/0138660;

U.S. Application Serial No. 12/695,359, entitled SURGICAL STAPLING DEVICES FOR FORMING STAPLES WITH DIFFERENT FORMED HEIGHTS, now U.S. Patent Publication No. 2010/0127042; and

U.S. Application Serial No. 13/072,923, entitled STAPLE CARTRIDGES FOR FORMING STAPLES HAVING DIFFERING FORMED STAPLE HEIGHTS, now U.S. Patent Publication No. 2011/0174863.

**[0105]** The Applicant of the present application also owns the U.S. Patent Applications identified below which were filed on even date herewith and which are each herein incorporated by reference in their respective entirety:

U.S. Application Serial No. \_\_\_\_\_, entitled SURGICAL STAPLING CARTRIDGE WITH LAYER RETENTION FEATURES, (Attorney Docket No. END7104USCIP1/110606CIP1);

U.S. Application Serial No. \_\_\_\_\_, entitled ADHESIVE FILM LAMINATE, (Attorney Docket No. END6843USCIP19/100528CP19);

U.S. Application Serial No. \_\_\_\_\_, entitled ACTUATOR FOR RELEASING A TISSUE THICKNESS COMPENSATOR FROM A FASTENER CARTRIDGE, (Attorney Docket No. END6848USCIP2/100533CIP2);

U.S. Application Serial No. \_\_\_\_\_, entitled RELEASABLE TISSUE THICKNESS COMPENSATOR AND FASTENER CARTRIDGE HAVING THE SAME, (Attorney Docket No. END6848USCIP3/100533CIP3);

U.S. Application Serial No. \_\_\_\_\_, entitled FASTENER CARTRIDGE COMPRISING A RELEASABLE TISSUE THICKNESS COMPENSATOR, (Attorney Docket No. END6848USCIP4/100533CIP4);

U.S. Application Serial No. \_\_\_\_\_, entitled FASTENER CARTRIDGE COMPRISING A CUTTING MEMBER FOR RELEASING A TISSUE THICKNESS COMPENSATOR, (Attorney Docket No. END6848USCIP5/100533CIP5);

U.S. Application Serial No. \_\_\_\_\_, entitled FASTENER CARTRIDGE COMPRISING A RELEASABLY ATTACHED TISSUE THICKNESS COMPENSATOR, (Attorney Docket No. END6848USCIP6/100533CIP6);

U.S. Application Serial No. \_\_\_\_\_, entitled STAPLE CARTRIDGE COMPRISING A RELEASABLE COVER, (Attorney Docket No. END7201USNP/120294);

U.S. Application Serial No. \_\_\_\_\_, entitled ANVIL LAYER ATTACHED TO A PROXIMAL END OF AN END EFFECTOR, (Attorney Docket No. END7102USCIP2/110604CIP2);

U.S. Application Serial No. \_\_\_\_\_, entitled LAYER COMPRISING DEPLOYABLE ATTACHMENT MEMBERS, (Attorney Docket No. END7102USCIP3/110604CIP3);

U.S. Application Serial No. \_\_\_\_\_, entitled END EFFECTOR COMPRISING A DISTAL TISSUE ABUTMENT MEMBER, (Attorney Docket No. END7102USCIP4/110604CIP4);

U.S. Application Serial No. \_\_\_\_\_, entitled LAYER ARRANGEMENTS FOR SURGICAL STAPLE CARTRIDGES, (Attorney Docket No. END6232USCIP1/070348CIP1);

U.S. Application Serial No. \_\_\_\_\_, entitled IMPLANTABLE ARRANGEMENTS FOR SURGICAL STAPLE CARTRIDGES, (Attorney Docket No. END6232USCIP2/070348CIP2);

U.S. Application Serial No. \_\_\_\_\_, entitled MULTIPLE THICKNESS IMPLANTABLE LAYERS FOR SURGICAL STAPLING DEVICES, (Attorney Docket No. END6840USCIP2/100525CIP2);

U.S. Application Serial No. \_\_\_\_\_, entitled RELEASABLE LAYER OF MATERIAL AND SURGICAL END EFFECTOR HAVING THE SAME, (Attorney Docket No. END6232USCIP3/070348CIP3); and

U.S. Application Serial No. \_\_\_\_\_, entitled STAPLE CARTRIDGE  
COMPRISING A COMPRESSIBLE PORTION, (Attorney Docket No.  
END7200USNP/120302).

**[0106]** Certain exemplary embodiments will now be described to provide an overall understanding of the principles of the structure, function, manufacture, and use of the devices and methods disclosed herein. One or more examples of these embodiments are illustrated in the accompanying drawings. Those of ordinary skill in the art will understand that the devices and methods specifically described herein and illustrated in the accompanying drawings are non-limiting exemplary embodiments and that the scope of the various embodiments of the present invention is defined solely by the claims. The features illustrated or described in connection with one exemplary embodiment may be combined with the features of other embodiments. Such modifications and variations are intended to be included within the scope of the present invention.

**[0107]** Reference throughout the specification to “various embodiments,” “some embodiments,” “one embodiment,” or “an embodiment”, or the like, means that a particular feature, structure, or characteristic described in connection with the embodiment is included in at least one embodiment. Thus, appearances of the phrases “in various embodiments,” “in some embodiments,” “in one embodiment”, or “in an embodiment”, or the like, in places throughout the specification are not necessarily all referring to the same embodiment. Furthermore, the particular features, structures, or characteristics may be combined in any suitable manner in one or more embodiments. Thus, the particular features, structures, or characteristics illustrated or described in

connection with one embodiment may be combined, in whole or in part, with the features structures, or characteristics of one or more other embodiments without limitation. Such modifications and variations are intended to be included within the scope of the present invention.

**[0108]** The terms “proximal” and “distal” are used herein with reference to a clinician manipulating the handle portion of the surgical instrument. The term “proximal” referring to the portion closest to the clinician and the term “distal” referring to the portion located away from the clinician. It will be further appreciated that, for convenience and clarity, spatial terms such as “vertical”, “horizontal”, “up”, and “down” may be used herein with respect to the drawings. However, surgical instruments are used in many orientations and positions, and these terms are not intended to be limiting and/or absolute.

**[0109]** Various exemplary devices and methods are provided for performing laparoscopic and minimally invasive surgical procedures. However, the person of ordinary skill in the art will readily appreciate that the various methods and devices disclosed herein can be used in numerous surgical procedures and applications including, for example, in connection with open surgical procedures. As the present Detailed Description proceeds, those of ordinary skill in the art will further appreciate that the various instruments disclosed herein can be inserted into a body in any way, such as through a natural orifice, through an incision or puncture hole formed in tissue, etc. The working portions or end effector portions of the instruments can be inserted directly into a patient's body or can be inserted through an access device that has a working channel through which the end effector and elongated shaft of a surgical instrument can be advanced.

**[0110]** In various embodiments, a surgical stapling instrument, such as instrument 10, for example, can comprise a handle, a shaft extending from the handle, and an end effector extending from the shaft which can be configured to treat the tissue of a patient. Referring to FIG. 1, handle assembly 12 of instrument 10 can be attached to a first, or proximal, end 13 of an instrument shaft 16 and, additionally, an end effector assembly 14 can be configured to be attached to a second, or distal, end 15 of instrument shaft 16. In various embodiments, end effector assembly 14 and at least a portion of instrument shaft 16 can be configured to be positioned within, and inserted at least partially through, a cannula, or trocar, in a patient's body during a minimally invasive surgical procedure. Various surgical instruments are described in further detail in U.S. Patent Application Ser. No. 11/329,020, entitled SURGICAL INSTRUMENT HAVING AN ARTICULATING END EFFECTOR, which was filed on January 10, 2006; U.S. Patent Application Serial No. 11/343,321, entitled SURGICAL CUTTING AND FASTENING INSTRUMENT WITH CLOSURE TRIGGER LOCKING MECHANISM, which was filed on January 31, 2006; and U.S. Patent Application Serial No. 11/529,935, entitled SURGICAL STAPLES HAVING ATTACHED DRIVERS AND STAPLING INSTRUMENTS FOR DEPLOYING THE SAME, which was filed on September 29, 2006, the entire disclosures of which are hereby incorporated by reference herein.

**[0111]** In various embodiments, further to the above, the end effector assembly 14 can include a first jaw member 20 and a second jaw member 424 wherein at least one of the first and second jaw members can be configured to be moved relative to the other jaw member such that the tissue of a patient can be clamped therebetween. Referring



to FIGS. 1-3 and 5, first jaw member 20 can include staple cartridge 422 and, additionally, second jaw member 424 can include anvil 426. In at least one embodiment, staple cartridge 422 can include a deck having a plurality of staple cavities defined therein. Anvil 426 can include an anvil cover 427 and an anvil face, wherein the anvil face can have a plurality of anvil pockets defined therein. In various embodiments, each staple cavity can be configured to removably store a staple therein and each anvil pocket can be configured to deform at least a portion of the staple as the staple is deployed. In various embodiments, at least one of the staple cartridge and the anvil can comprise one or more gripping features, or ridges, 435 which can be configured to hold the tissue within the end effector.

**[0112]** Further to the above, end effector assembly 14 can include at least one piece of buttress material 436 and/or 436' which can be configured to be positioned intermediate the first and second jaw members and can be releasably retained to one of the cartridge deck and/or the anvil face, for example. In at least one embodiment, a surface on the piece of buttress material can be configured to contact tissue as the tissue is clamped between the first and second jaw members. In such an embodiment, the buttress material surface can be used to distribute the compressive clamping force over the tissue, remove excess fluid from the tissue, and/or improve the purchase of the staples. In various embodiments, one or more pieces of buttress material can be positioned within the end effector assembly. In at least one embodiment, one piece of buttress material 436 can be attached to staple cartridge 422 and one piece of buttress material 436' can be attached to anvil 426. In at least one other embodiment, two pieces of buttress material 436 can be positioned on the cartridge deck and one piece

of buttress material 436' can be positioned on the anvil face, for example. In other various embodiments, any suitable number of pieces of buttress material can be situated within an end effector assembly. In any event, in various embodiments, the piece(s) of buttress material can be comprised of a material such as, a bioabsorbable material, a biofragmentable material, and/or a dissolvable material, for example, such that the buttress material can be absorbed, fragmented, and/or dissolved during the healing process. In at least one embodiment, the piece(s) of buttress material can be at least partially comprised of a therapeutic drug which can be configured to be released over time to aid the tissue in healing, for example. In further various embodiments, the piece(s) of buttress material can include a non-absorbable and/or non-dissolvable material, for example.

**[0113]** In various embodiments, an end effector assembly can include at least one connection member or fastener, such as connection members 38, for example, which can be utilized to releasably retain a piece of buttress material to at least one of an anvil and a staple cartridge, for example. In various embodiments, connection members can be configured to be released from an end effector and deployed along with a piece of buttress material. In at least one embodiment, head portions of the connection members can be configured to be separated from body portions of the connection members such that the head portions can be deployed with the piece of buttress material while the body portions remain attached to the end effector. In other various embodiments, the entirety of the connection members can remain engaged with the end effector when the piece of buttress material is detached from the end effector. In any event, in at least one embodiment, the connection members can be at least partially

comprised of at least one of a bioabsorbable material, a biofragmentable material, and a dissolvable material such that the connection members can be absorbed, fragmented, and/or dissolved within the body. In various embodiments, the connection members comprised of a therapeutic drug which can be configured to be released over time to aid the tissue in healing, for example. In further various embodiments, the connection members can include a non-absorbable and/or non-dissolvable material, for example, such as a plastic.

**[0114]** In various embodiments, the connection members can be arranged in any suitable pattern or configuration. In at least one embodiment, the connection members can be situated around the outer perimeter of piece of buttress material 436, for example. In at least one embodiment, the connection members can be positioned proximate to one or more sides and/or ends of the piece of buttress material, for example, to prevent, or at least assist in preventing, the buttress material from peeling away from the staple cartridge deck and/or the anvil face when the end effector is inserted through a trocar or engaged with tissue. In various embodiments, the connection members can be used in conjunction with any suitable adhesive, such as cyanoacrylate, for example, to releasably retain the piece of buttress material, or at least a portion of the buttress material, to the end effector. In at least one embodiment, the adhesive can be applied to connection members prior to the connection members being engaged with the apertures in the piece of buttress material, staple cartridge, and/or anvil.

**[0115]** Referring to FIG. 4, a retention member can be configured to be moved within an end effector between a first position and a second position to releasably retain

a tissue thickness compensator to the end effector. An end effector assembly 214 can include a first jaw including staple cartridge 222 and a second jaw including anvil 226 wherein retention member 262 can be moved relative to staple cartridge 222 and anvil 226. For example, retention member 262 can be moved between a first, or extended, position near distal end 264 to a second, or retracted, position near proximal end 263. In its extended position, retention member 262 can hold a tissue thickness compensator such as, for example, tissue thickness compensator 236 in position as end effector 214 is inserted into a surgical site. Thereafter, end effector 214 can be closed onto tissue, for example, and staples can be deployed through the compensator 236 into the tissue. Retention member 262 can be moved into its retracted position such that retention member 262 can be operably disengaged from compensator 236. Alternatively, retention member 262 can be retracted prior to the staples being deployed. In any event, as a result of the above, end effector 214 can be opened and withdrawn from the surgical site leaving behind the stapled compensator 236 and tissue.

**[0116]** In various embodiments, referring to FIGS. 6 and 7, at least one resilient member can be utilized to releasably retain a piece of buttress material to a staple cartridge and/or anvil of an end effector. Similar to the above, a first jaw 520 of the end effector can comprise a staple cartridge 522 and a second jaw 524 can comprise an anvil 526. In at least one embodiment, at least one resilient member, such as resilient members 550 or 550', for example, can include a first end, such as first ends 552 or 552', configured to be attached to, or integrally formed with, at least one of first and second jaw members 520 and 524. In at least one embodiment, each resilient member 550 can include a second end, such as second ends 554 or 554', for example,

configured to contact and releasably retain a piece of buttress material, such as piece of buttress material 536, for example, to at least one of the first and second jaw members. In various embodiments, second end 554 can include tip 558 which can be configured to grip at least a portion of piece of buttress material 536, for example. In various embodiments, tip 558 can be contoured and/or configured to include a rough or ribbed surface, for example, in order to frictionally engage the piece of buttress material. Similarly, each second end 554' can comprise a tip 558' configured to engage and hold a piece of buttress material to the anvil.

**[0117]** In various embodiments, referring again to FIGS. 6 and 7, a plurality of resilient members can be provided on at least two sides of a jaw member to retain side portions of the piece of buttress material to the jaw member. In at least one embodiment, first ends 552 of each individual resilient member 550 can be attached to one another by a connecting member, such as connecting member, or bar, 556 or 556', for example. In various embodiments, connecting member 556 can be attached to second jaw member 524 such that connection member 556 can provide support to resilient members 550. In other various embodiments, a plurality of resilient members 550 can be attached to at least one of the first and second jaw members without the use of a connecting member. In such an embodiment, the first ends of the resilient members can be attached directly to one of the first and second jaw members, for example. In at least one embodiment, resilient members 550, for example, can be configured to release buttress material 536 after staples have been deployed through the buttress material and/or when the buttress material is disengaged from the end effector. In at least one embodiment, the

resilient members can be comprised of an elastic material such as metal or plastic, for example.

**[0118]** As outlined above, an end effector assembly can include a staple cartridge, an anvil, and at least one piece of buttress material positioned intermediate the staple cartridge and the anvil. In at least one embodiment, referring to FIG. 8, a piece of buttress material, such as buttress material 336, can be configured to be snap-fit to at least one of staple cartridge 322 and/or an anvil to releasably retain the piece of buttress material within the end effector. The staple cartridge 322 can include first side wall 302 and a second side wall opposite the first side wall 302, wherein at least one of the first and second side walls can include a lip 306 extending outwardly therefrom. In various embodiments, buttress material 336 can include first edge, or side, 308, second edge, or side, 310, and at least one lip 312 extending at least partially along the length of edges 308 and 310. In at least one embodiment, lips 312 can be configured to engage lips 306 in a snap-fit fashion in order to releasably retain buttress material 336 to staple cartridge 322.

**[0119]** Further to the above, buttress material 336 can include surface 316 which can be configured to be positioned adjacent to or against deck 328 of staple cartridge 322. In at least one embodiment, side edges 308 and 310 can comprise sidewalls which can extend in a perpendicular or transverse direction relative to surface 316. In such embodiments, lips 312 can extend from these sidewalls such that lips 312 can be interlocked behind lips 306 of staple cartridge 322. In various embodiments, lips 312 of buttress material 336 can be disengaged from lips 306 of staple cartridge 322 when the staples are deployed from staple cartridge 322. More particularly, when the staples are

deployed, the staples can contact buttress material 336, apply an upward force to buttress material 336, and dislodge buttress material 336 from staple cartridge 322. Advantageously, as a result, buttress material 336 may be automatically disengaged from staple cartridge 322 when the staples are deployed therefrom and/or when the end effector is opened as described above.

**[0120]** In various embodiments, a piece of buttress material can include at least one member extending therefrom which can be configured to releasably retain the buttress material to one of a staple cartridge and/or an anvil. In at least one embodiment, one or more members 318 can extend from buttress material 336 in a direction which is perpendicular or transverse to surface 316. In various embodiments, each member 318 can be engaged with a staple cavity 320 defined in the deck 328 in a friction-fit or press-fit manner to releasably retain the piece of buttress material 336 to the staple cartridge. In certain embodiments, a piece of buttress material can comprise members which engage pockets in the anvil. Similar to the above, in various embodiments, staples deployed from staple cavities 320 can apply an upward force to buttress material 336 and disengage members 318 from staple cavities 320. In various embodiments, the staples can pierce projections 318 and/or buttress material 336 to secure the buttress material to the tissue as outlined above.

**[0121]** As illustrated in FIG. 8, a piece of buttress material can include more than one member, or projection, extending therefrom to retain a piece of buttress material to one of a staple cartridge and an anvil. In various embodiments, referring to Figs. 9 and 10, more than one member 318' can extend from piece of buttress material 336', for example. In at least one embodiment, members 318' can be can press-fit into staple

cavities 320' of staple cartridge 322', and/or into anvil pockets of an anvil (not illustrated), such that the members can frictionally retain the piece of buttress material to the staple cartridge and/or the anvil as outlined above. In various embodiments, a staple cartridge can include slots or apertures therein in addition to the staple cavities defined in the staple cartridge which can be configured to frictionally receive the members 318'. Likewise, in various embodiments, an anvil can include slots or apertures therein in addition to the staple forming pockets defined therein which can be configured to frictionally receive the members 318'.

**[0122]** FIGS. 11 and 28 illustrate one embodiment of a surgical stapling instrument. Briefly, the surgical stapling instrument includes a handle assembly 12 and an elongated shaft 14. A disposable loading unit or DLU 16 is releasably secured to a distal end of the shaft 14. Disposable loading unit 16 includes a tool assembly 17 having a cartridge assembly 18 housing, a plurality of surgical staples, and an anvil assembly 20 movably secured in relation to cartridge assembly 18. Disposable loading unit 16 is configured to apply linear rows of staples measuring from about 30 mm to about 60 mm in length. Disposable loading units having linear rows of staples of other lengths are also envisioned, e.g., 45 mm. Handle assembly 12 includes a stationary handle member 22, a movable handle member 24, and a barrel portion 26. A rotatable member 28 is mounted on the forward end of barrel portion 26 to facilitate rotation of elongated body 14 with respect to handle assembly 12. An articulation lever 30 is also mounted on the forward end of barrel portion 26 adjacent rotatable knob 28 to facilitate the articulation of tool assembly 17. A pair of retraction knobs 32 are movably positioned along barrel portion 26 to return surgical stapling apparatus 10 to a retracted position, as will be



described in detail below.

**[0123]** Handle assembly 12 includes a housing which is formed from molded housing half-sections 36a and 36b, which forms stationary handle member 22 and barrel portion 26 of handle assembly 12 (See FIG. 1). Movable handle member 24 is pivotably supported between housing half-sections 36a and 36b about pivot pin 38. A biasing member 40, which is a torsion spring, biases movable handle 24 away from stationary handle 22. An actuation shaft 46 is supported within barrel portion 26 of housing 36 and includes a toothed rack 48. A driving pawl 42 having a rack engagement finger 43 with laterally extending wings 43a and 43b is pivotably mounted to one end of movable handle 24 about a pivot pin 44. A biasing member 50, which is also a torsion spring, is positioned to urge engagement finger 43 of driving pawl 42 towards toothed rack 48 of actuation shaft 46. Movable handle 24 is pivotable to move engagement finger 43 of driving pawl 42 into contact with toothed rack 48 of actuation shaft 46 to advance the actuation shaft linearly in the distal direction. The forward end of actuation shaft 46 rotatably receives the proximal end 49 of a control rod 52 such that linear advancement of actuation shaft 46 causes corresponding linear advancement of control rod 52. A locking pawl 54 having a rack engagement member 55 is pivotably mounted within housing 36 about pivot pin 57 and is biased towards toothed rack 48 by biasing member 56, which is also a torsion spring. Engagement member 55 of locking pawl 54 is movable into engagement with toothed rack 48 to retain actuation shaft 46 in a longitudinally fixed position.

**[0124]** A retraction mechanism 58, which includes a pair of retractor knobs 32, is connected to the proximal end of actuation shaft 46 by a coupling rod 60. Coupling rod

60 includes right and left engagement portions 62a and 62b for receiving retractor knobs 32 and a central portion 62c which is dimensioned and configured to translate within a pair of longitudinal slots 34a formed in actuation shaft 46 adjacent the proximal end thereof. A release plate 64 is operatively associated with actuation shaft 46 and is mounted for movement with respect thereto in response to manipulation of retractor knobs 32. A pair of spaced apart pins 66 extend outwardly from a lateral face of actuation shaft 46 to engage a pair of corresponding angled cam slots 68 formed in release plate 64. Upon rearward movement of retractor knobs 32, pins 66 can release plate 64 downwardly with respect to actuation shaft 46 and with respect to toothed rack 48 such that the bottom portion of release plate 64 extends below toothed rack 48 to disengage engagement finger 43 of driving pawl 42 from toothed rack 48. A transverse slot 70 is formed at the proximal end of release plate 64 to accommodate the central portion 62c of coupling rod 60, and elongated slots 34 (See FIG. 1) are defined in the barrel section 26 of handle assembly 12 to accommodate the longitudinal translation of coupling rod 60 as retraction knobs 32 are pulled rearwardly to retract actuation shaft 46 and thus retract control rod 52 rearwardly. Actuation shaft 46 is biased proximally by spring 72 which is secured at one end to coupling rod portion 62 via connector 74 and at the other end to post 76 on actuation shaft 46.

**[0125]** Further to the above, handle assembly 12 includes a firing lockout assembly 80 which includes a plunger 82 and a pivotable locking member 83. Plunger 82 is biased to a central position by biasing springs 84 and includes annular tapered camming surfaces 85. Each end of plunger 82 extends through housing 36 adjacent an upper end of stationary handle 22. Pivotable locking member 83 is pivotably attached at

its distal end between housing half-sections 36a and 36b about pivot pin 86 and includes a locking surface 88 and proximal extension 90 having a slot 89 formed therein. Locking member 83 is biased by spring 92 counter-clockwise (as viewed in FIG. 11) to move locking surface 88 to a position to abut the distal end of actuation shaft 46 to prevent advancement of shaft 46 and subsequent firing of the stapling apparatus. Annular tapered camming surface 85 is positioned to extend into tapered slot 89 in proximal extension 90. Lateral movement of plunger 82 in either direction against the bias of either spring 84 moves tapered camming surface 85 into engagement with the sidewalls of tapered slot 89 to pivot locking member 83 clockwise about pivot pin 86, as viewed in FIG. 11, to move blocking surface 88 to a position to permit advancement of actuation shaft 46 and thus firing of stapling apparatus 10. Blocking surface 88 is retained in this position by recesses which receive the tapered tip of camming surface 85 to lock locking member 83 in a counter-clockwise position. Operation of firing lockout assembly 80 will be further illustrated below.

**[0126]** Further to the above, handle mechanism 12 also includes an anti-reverse clutch mechanism which includes a first gear 94 rotatably mounted on a first shaft 96, and second gear 98 mounted on a second shaft 100, and a slide plate (not illustrated) slidably mounted within housing 36. The slide plate includes an elongated slot dimensioned and configured to be slidably positioned about locking pawl pivot pin 57, a gear plate configured to mesh with the teeth of second gear 98, and a cam surface. In the retracted position, the cam surface of the slide plate engages locking pawl 54 to prevent locking pawl 54 from engaging toothed rack 48. Actuation shaft 46 includes a distal set of gear teeth spaced from the proximal set of gear teeth positioned to engage

first gear 94 of actuation shaft 46 during movement of actuation shaft 46. When actuation shaft 46 is advanced by pivoting movable handle 24 about pivot pin 38, the distal gear teeth on actuation shaft 46 mesh with and rotate first gear 94 and first shaft 96. First shaft 96 is connected to second shaft 100 by spring clutch assembly such that rotation of first shaft 96 will cause corresponding rotation of second shaft 100. Rotation of second shaft 100 causes corresponding rotation of second gear 98 which is engaged with the gear plate on the slide plate to cause linear advancement of the slide plate. Linear advancement of the slide plate is limited to the length of elongated slot. When the slide plate has been advanced the length of the slot, the cam surface releases locking pawl 54 such that it is moved into engagement with toothed rack 48. Continued advancement of actuation shaft 46 eventually moves the distal gear teeth into engagement with the gear plate. However, since the slide plate is longitudinally fixed in position, the spring clutch is forced to release, such that continued distal advancement of actuation shaft 46 is permitted.

**[0127]** When actuation shaft 46 is returned to the retracted position (by pulling retraction knobs 34 proximally, as discussed above) the distal gear teeth engage first gear 94 to rotate second gear 98 in the reverse direction to retract the slide member proximally within housing 36. Proximal movement of the slide member advances the cam surface into locking pawl 54 prior to engagement between locking pawl 54 and toothed rack 48 to urge locking pawl 54 to a position to permit retraction of actuation shaft 46.

**[0128]** Referring again to FIG. 11, handle assembly 12 includes an emergency return button 112 pivotally mounted within housing 36 about a pivot member 114 supported

between housing half-sections 36a and 36b. Return button 112 includes an externally positioned member 116 positioned on the proximal end of barrel portion 26. Member 116 is movable about pivot member 114 into engagement with the proximal end of locking pawl 54 to urge rack engagement member 55 out of engagement with toothed rack 48 to permit retraction of actuation shaft 46 during the firing stroke of the stapling apparatus 10.

**[0129]** As discussed above, during the clamping portion of advancement of actuation shaft 46, the slide plate disengages pawl 54 from rack 48 and thus actuation of return button 112 is not necessary to retract the actuation shaft 46. FIGS. 12-14 illustrate the interconnection of elongated body 14 and handle assembly 12. Housing 36 includes an annular channel 117 configured to receive an annular rib 118 formed on the proximal end of rotation member 28, which is formed from molded half-sections 28a and 28b. Annular channel 117 and rib 118 permit relative rotation between rotation member 28 and housing 36. Elongated body 14 includes inner housing 122 and an outer casing 124. Inner housing 122 is dimensioned to be received within outer casing 124 and includes an internal bore 126 which extends therethrough and is dimensioned to slidably receive a first articulation link 123 and control rod 52. The proximal end of housing 122 and casing 124 each include a pair of diametrically opposed openings 130 and 128, respectively, which are dimensioned to receive radial projections 132 formed on the distal end of rotation member 28. Projections 132 and openings 128 and 130 fixedly secure rotation member 28 and elongated body 14 in relation to each other, both longitudinally and rotatably. Rotation of rotation knob 28 with respect to handle assembly 12 thus results in corresponding rotation of elongated body 14 with respect to

handle assembly 12.

**[0130]** An articulation mechanism 120 is supported on rotatable member 28 and includes articulation lever 30, a cam member 136, a translation member 138, and the first articulation link 123. Articulation lever 30 is pivotably mounted about pivot member 140 which extends outwardly from rotation member 28 and is formed integrally therewith. A projection 142 extends downwardly from articulation lever 30 for engagement with cam member 136. The distal end of translation member 138 includes arm 160 which includes an opening 162 configured to receive a finger 164 extending from the proximal end of articulation link 123. A pin 166 having a housing 168 constructed from a non-abrasive material, e.g., Teflon, is secured to translation member 138 and dimensioned to be received within a stepped camming surface. In an assembled condition, proximal and distal stepped portions 150 and 152 of cam member 136 are positioned beneath flanges, such as flange 170, formed on rotation member 28 to restrict cam member 136 to transverse movement with respect to the longitudinal axis of stapling apparatus 10. When articulation lever 30 is pivoted about pivot member 140, cam member 136 is moved transversely on rotation member 28 to move stepped camming surface 148 transversely relative to pin 166, forcing pin 166 to move proximally or distally along stepped cam surface 148. Since pin 166 is fixedly attached to translation member 138, translation member 138 is moved proximally or distally to effect corresponding proximal or distal movement of first actuation link 123.

**[0131]** A disposable loading unit sensing mechanism extends within the stapling instrument from elongated body 14 into handle assembly 12. The sensing mechanism includes a sensor tube 176 which is slidably supported within bore 26 of elongated body

14. The distal end of sensor tube 176 is positioned towards the distal end of elongated body 14 and the proximal end of sensor tube 176 is secured within the distal end of a sensor cylinder 178 via a pair of nubs 180. The distal end of a sensor link 182 is secured to the proximal end of sensor cylinder 178. Sensor link 182 has a bulbous end 184 which engages a camming surface on pivotable locking member 83. When a disposable loading unit is inserted in the distal end of elongated body 14, the disposable loading unit engages the distal end of sensor tube 176 to drive sensor tube 176 proximally, and thereby drive sensor cylinder 178 and sensor link 182 proximally. Movement of sensor link 182 proximally causes bulbous end 184 of sensor link 182 to move distally of the camming surface to allow locking member 83 to pivot under the bias of spring 92 from a position permitting firing of stapling apparatus 10 to a blocking position, wherein blocking member 83 is positioned to engage actuation shaft 46 and prevent firing of stapling apparatus 10. Sensor link 182 and locking member 83 function to prevent firing of surgical stapling apparatus 10 after a disposable loading unit has been secured to elongated body 14, without first operating firing lockout assembly 80.

**[0132]** Further to the above, cam member 136 can include a recess defined in the bottom portion thereof. A locking ring 184 having a nub portion 186 configured to be received within this recess can be positioned about sensor cylinder 178 between a control tab portion 188 and a proximal flange portion 190. A spring 192 positioned between flange portion 190 and locking ring 184 urges locking ring distally about sensor cylinder 178. When an articulating disposable loading unit having an extended insertion tip 193 (FIG. 16) is inserted into the distal end of elongated body 14 of stapling apparatus 10, insertion tip 193 causes tab portion 188 to move proximally into

engagement with locking ring 184 to urge locking ring 184 and nub 186 proximally of recess 154 in cam member 136. With nub 186 positioned proximally of the recess in cam member 136, the cam member 136 is free to move transversely to effect articulation of stapling apparatus 10. A non-articulating disposable loading unit may not have an extended insertion tip. As such, when a non-articulating disposable loading unit is inserted in elongated body 14, sensor cylinder 178 is not retracted proximally a sufficient distance to move nub 186 from recess 154. Thus, cam member 136 is prevented from moving transversely by nub 186 of locking ring 184 which is positioned in the recess defined in the cam member 136 and articulation lever 30 is locked in its central position.

**[0133]** Referring to FIGS. 15-18, a disposable loading unit, such as disposable loading unit 16a and/or 16b, for example, includes a proximal housing portion 200 adapted to releasably engage the distal end of body portion 14. A mounting assembly 202 is pivotally secured to the distal end of housing portion 200, and is configured to receive the proximal end of tool assembly 17 such that pivotal movement of mounting assembly 202 about an axis perpendicular to the longitudinal axis of housing portion 200 effects articulation of tool assembly 17 about pivot pin 244. Housing portion 200 of disposable loading unit 16 can include, one, engagement nubs 254 for releasably engaging elongated shaft 14 and, two, an insertion tip 193. Nubs 254 form a bayonet type coupling with the distal end of shaft 14. A second articulation link is dimensioned to be slidably positioned within a slot 258 formed between housing halves of housing portion 200.



**[0134]** Referring to FIGS. 19-27, tool assembly 17 includes anvil assembly 20 and cartridge assembly 18. Anvil assembly 20 includes anvil portion 204 having a plurality of staple deforming concavities 206 and a cover plate 208 secured to a top surface of anvil portion 204 to define a cavity 210 therebetween. Cover plate 208 is provided to prevent pinching of tissue during clamping and firing of the surgical stapling apparatus. Cavity 210 is dimensioned to receive a distal end of an axial drive assembly 212. A longitudinal slot 214 extends through anvil portion 204 to facilitate passage of retention flange 284 of axial drive assembly 212 into the anvil cavity 210. A camming surface 209 formed on anvil portion 204 is positioned to engage axial drive assembly 212 to facilitate clamping of tissue 198. A pair of pivot members 211 formed on anvil portion 204 are positioned within slots 213 formed in carrier 216 to guide the anvil portion between the open and clamped positions. A pair of stabilizing members can engage a respective shoulder 217 formed on carrier 216 to prevent anvil portion 204 from sliding axially relative to staple cartridge 220 as camming surface 209 is deformed.

**[0135]** Cartridge assembly 18 includes a carrier 216 which defines an elongated support channel 218. Elongated support channel 218 is dimensioned and configured to receive a staple cartridge 220. Corresponding tabs 222 and slots 224 formed along staple cartridge 220 and elongated support channel 218 function to retain staple cartridge 220 within support channel 218. A pair of support struts 223 formed on staple cartridge 220 are positioned to rest on side walls of carrier 216 to further stabilize staple cartridge 220 within support channel 218. Staple cartridge 220 includes retention slots 225 for receiving a plurality of fasteners 226 and pushers 228. A plurality of spaced apart longitudinal slots 230 extend through staple cartridge 220 to accommodate

upstanding cam wedges 232 of actuation sled 234. A central longitudinal slot 282 extends along the length of staple cartridge 220 to facilitate passage of a knife blade 280. During operation of the surgical stapler, actuation sled 234 translates through longitudinal slots 230 of staple cartridge 220 to advance cam wedges 232 into sequential contact with pushers 228, to cause pushers 228 to translate vertically within slots 225 and urge fasteners 226 from slots 225 into the staple deforming cavities 206 of anvil assembly 20.

**[0136]** Further to the above, the shaft of the surgical stapling instrument can include upper and lower mounting portions 236 and 238. Each mounting portion includes a threaded bore 240 on each side thereof dimensioned to receive threaded bolts 242 for securing the proximal end of carrier 216 thereto. A pair of centrally located pivot members 244 extends between upper and lower mounting portions via a pair of coupling members which engage the distal end of housing portion 200. Housing portion 200 of the disposable loading unit can include upper and lower housing halves contained within an outer casing 251. A second articulation link 256 is dimensioned to be slidably positioned within a slot formed between the housing halves. A pair of blow out plates 254 are positioned adjacent the distal end of housing portion 200 adjacent the distal end of axial drive assembly 212 to prevent outward bulging of drive assembly 212 during articulation of tool assembly 17. The second articulation link 256 includes at least one elongated metallic plate. Preferably, two or more metallic plates are stacked to form link 256. The proximal end of articulation link 256 includes a hook portion 258 configured to engage first articulation link 123 and the distal end includes a loop 260 dimensioned to engage a projection 262 formed on mounting assembly 202. Projection

262 is laterally offset from pivot pin 244 such that linear movement of second articulation link 256 causes mounting assembly 202 to pivot about pivot pins 244 to articulate tool assembly 17.

**[0137]** The distal end of drive beam 266 is defined by a vertical support strut 278 which supports a knife blade 280, and an abutment surface 283 which engages the central portion of actuation sled 234 during a stapling procedure. Surface 285 at the base of surface 283 is configured to receive a support member 287 slidably positioned along the bottom of the staple cartridge 220. Knife blade 280 is positioned to translate slightly behind actuation sled 234 through a central longitudinal slot 282 in staple cartridge 220 to form an incision between rows of stapled body tissue. A retention flange projects distally from the vertical strut and supports a cylindrical cam roller 286 at its distal end. Cam roller 286 is dimensioned and configured to engage cam surface 209 on anvil body 204 to clamp anvil portion 204 against body tissue.

**[0138]** In various embodiments, referring now to FIGS. 30 and 31, an end effector of a surgical stapling instrument can comprise a first jaw 680 including a staple cartridge assembly and a second jaw 670. The first jaw 680 can include a pan 680a, a cartridge body 682 positionable in the pan 680a, and a sled 690 which is movable through the cartridge body 682 to lift drivers 692 toward deck 682a of cartridge body 682 and eject the staples 684 removably stored in staple cavities defined therein. The cartridge body 682 can further comprise a plurality of slots 682b which can each be configured to receive a cam of the sled 690, such as cams 690a-690c, for example, which can be configured to engage and lift the drivers 692. The staple cartridge assembly can further comprise a layer B2 which can be attached to the cartridge body 682 utilizing

connectors S3 and S4. In various embodiments, each connector S3 and S4 can comprise a suture which ties the layer B2 to the cartridge body 682. For instance, the connector S3 can mount the distal end of the layer B2 to the distal end 682f of the cartridge body 682 while the connector S4 can mount the proximal end of the layer B2 to the proximal end 682e of the cartridge body 682. In use, a cutting member, such as cutting member 660, for example, can be advanced through the cartridge body 682 and incise, or otherwise deactivate, the connectors S3 and S4. For instance, the cutting member 660 can comprise a body 662, flanges 664a and 664b which are configured to engage the second jaw 670 and the first jaw 680, respectively, and a cutting member 66 which is configured to traverse a longitudinal slot 682c defined in the cartridge body 682a. The cutting member 660 can be advanced distally through the cartridge body 682 by a firing member assembly 650. The firing member assembly 650 can comprise a shaft 652 comprised of a plurality of layers including a distal end 654 engaged within the cutting member body 662 and a proximal end 656 configured to receive a firing force applied thereto.

**[0139]** When the firing force is applied to the firing member 650, further to the above, the flange 664a can engage the second jaw 670 and pivot the second jaw 670 downwardly toward the first jaw 680. The second jaw 670 can comprise an anvil assembly 623 which can include a frame 672 and an anvil plate including a plurality of anvil pockets defined therein. As the firing member 650 is being advanced distally, the cutting member 660 can pass through a longitudinal slot 670b defined in the anvil plate. Similar to the above, the second jaw 670 can further comprise a layer B1 attached thereto by one or more connectors, such as connectors S1 and S2, for example. Also

similar to the above, the connectors S1 and S2 can each comprise a suture, wherein the connector S1 can be configured to releasably hold the distal end of the layer B1 to the distal end 670e of the anvil assembly 623 and wherein the connector S2 can be configured to releasably hold the distal end of the layer B2 to the proximal end 670c of the anvil assembly 623. In various embodiments, the anvil assembly 623 can comprise a distal nose 676 assembled to the frame 672 and can include a slot 676a defined therein which is configured to receive the connector S1. Similarly, the proximal end of the frame 672 can include a slot 672a defined therein which is configured to receive the connector S2. In either event, in various embodiments, the connectors S1 and S2 can extend around the entirety of the anvil frame 672 while, in other embodiments, the connectors S1 and S2 can engage the sides of the anvil assembly 623. When the cutting member 660 is advanced distally through the anvil assembly 623, the cutting member 660 can transect, or otherwise deactivate, the connectors S1 and S2 to release the layer B1 from the anvil assembly 623. More particularly, in various embodiments, the layer B1 can be positioned on one side of the patient tissue and the layer B2 can be positioned on the opposite side of the patient tissue, wherein the staples 684 can then be fired through the layer B2, the patient tissue, and the layer B1 when the firing member 650 is advanced distally. As the firing member 650 is advanced distally, the cutting member 660 can progressively transect the connectors S1-S4 as the layers B1 and B2 are progressively transected by the cutting member 660. For instance, the cutting member 660 can transect connectors S2 and S4 at the beginning of the stroke and connectors S1 and S3 at the end of the stroke. In various embodiments, referring now to FIGS. 32 and 33, an end effector 716 can comprise a first jaw 718 and a second

jaw 720 wherein a connector 774 can be embedded within a slot 770e defined in an anvil 772 of the second jaw 720.

**[0140]** Referring to FIG. 33A, an end effector of a surgical stapling instrument can comprise a first jaw and a second jaw, wherein at least one of the first jaw and the second jaw can be configured to be moved relative to the other. The end effector can comprise a first jaw including a staple cartridge channel 1050 and a second jaw including an anvil, wherein the anvil can be pivoted toward and/or away from the staple cartridge channel 1050, for example. In various alternative embodiments, the first jaw including a staple cartridge thereto can be pivoted toward and/or away from the second jaw including the anvil. In either event, the staple cartridge channel 1050 can be configured to receive a staple cartridge 1060, for example, which can be removably retained within the staple cartridge channel 1050. The staple cartridge 1060 can comprise a cartridge body 1062, a cartridge deck 1064, and a tissue thickness compensator 1000 wherein, as illustrated in FIG. 33A, tissue thickness compensator 1000 may be removably positioned against or adjacent cartridge deck 1064. Similar to other embodiments described herein, referring now to FIGS. 33A and 34, the cartridge body 1062 can comprise a plurality of staple cavities 1066 and a staple 1002 positioned within each staple cavity 1066. Also similar to other embodiments described herein, the staples 1002 can be supported by staple drivers positioned within the cartridge body 1062 wherein a sled and/or firing member, for example, can be advanced through the staple cartridge 1060 to lift the staple drivers upwardly within the staple cavities 1066 and eject the staples 1002 from the staple cavities 1066.

**[0141]** Referring to FIG. 34, tissue thickness compensators, such as tissue thickness compensators 1000 and 1000', can be fastened to tissue T in order, for example, to provide support for fastened tissue T. As illustrated in FIG. 34, tissue thickness compensators 1000 and 1000' can be fastened to opposite sides of tissue T. A tissue thickness compensator such as, for example, tissue thickness compensator 1000, may comprise an inner portion 1004 and an outer portion 1006 which may form an outer perimeter at least partially surrounding the inner portion 1004. The outer portion 1006 may be more flexible than the inner portion 1004. In various circumstances, the outer portion 1006 may comprise sufficient flexibility to provide an atraumatic tissue contacting surface for tissue T, and the inner portion may comprise sufficient rigidity to provide adequate support for fastened tissue T.

**[0142]** Referring again to FIG. 34, the outer portion 1006 of tissue thickness compensator 1000 may include an outer edge 1008. To improve its flexibility, the outer portion 1006 may include multiple slits 1010. In addition, pieces of the outer edge 1008 and the outer portion 1006 can be cut or removed to improve the flexibility of the outer portion 1006. As illustrated in FIG. 34, slits 1010 can begin at the outer edge 1008 and can follow various paths terminating within the outer portion 1006. For example, a slit, such as slit 1010A, may begin at the outer edge 1008 then follow a path substantially perpendicular to the outer edge 1008 terminating within the outer portion 1006. In another example, a slit, such as slit 1010B, may also begin at the outer edge 1008 then follow a path at an acute angle with the outer edge 1008, also terminating within the outer portion 1006. Tissue thickness compensator 1000 can be manufactured with slits 1010 in the outer portion 1006. Alternatively, tissue thickness compensator 1000 can be

manufactured without the slits 1010, which can be incorporated into the outer portion 1006 prior to the implantation thereof, for example.

**[0143]** As described above, and as illustrated in FIG. 34, staples 1002 can be configured to at least partially capture tissue thickness compensator 1000 when the staples 1002 are moved from their unfired positions to their fired positions. Furthermore, staples 1002 can be fired in rows and each row may include multiple staples 1002. A row of staples 1002, for example row 1012, can be fastened onto the outer portion 1006 of tissue thickness compensator 1000 such that slits 1010 may be positioned between the staples 1002 of row 1012 to allow for sufficient support for the staples 1002 while maintaining an adequate flexibility within the outer portion 1006. Alternatively, under certain circumstances, slits 1010 can be positioned within the staples 1002, for example, to provide flexibility within the staples 1002.

**[0144]** Referring now to FIG. 35, tissue thickness compensator 1000 may include a plurality of openings 1014 extending therethrough. As illustrated in FIG. 35, the openings 1014 may comprise generally cylindrical shapes. Alternatively, openings 1014 may comprise cone shapes which can be narrow on one side and wide on the other side of tissue thickness compensator 1000. Other geometrical shapes for openings 1014 are contemplated within the scope of this disclosure. Tissue thickness compensator 1000 may also include multiple cavities 1016. As illustrated in FIG. 35, cavities 1016 may comprise generally cylindrical shapes, sometimes with tapered outer portions. Other geometrical shapes for cavities 1016 are contemplated within the scope of this disclosure. For example cavities 1016 can include closed ended cones. Openings 1014 and/or cavities 1016 may provide regions of localized flexibility within



tissue thickness compensator 1000 and can be positioned within the outer portion 1006, the inner portion 1004 and/or both portions 1004 and 1006 to enhance the flexibility of the tissue thickness compensator 1000. Furthermore, as illustrated in FIG. 35, tissue thickness compensator 1000 can include combinations of slits 1010, openings 1014, and/or cavities 1016 to yield a desired degree of flexibility.

**[0145]** Referring now to FIGS. 36-39, to improve its flexibility, the thickness of the tissue thickness compensator 1000 can include patterns that may provide regions of localized flexibility. Such patterns can be embossed patterns which can be molded or carved into the tissue thickness compensator 1000. As illustrated in FIG. 36, tissue thickness compensator 1000 can include a pattern 1020 comprising a plurality of pyramids 1018 which can be arranged, for example, in rows. Pyramids 1018, as illustrated in FIG. 37, can be separated from each by a distance "D." The degree of flexibility of tissue thickness compensator 1000 can, in part, be controlled by increasing or decreasing distance "D" between pyramids 1018. Pyramids 1018 can be arranged in other pattern arrangements which are contemplated within the scope of the present disclosure. In addition, other geometrical shapes, cones for example, and combinations thereof can also be used and are contemplated within the scope of the present disclosure. As illustrated in FIG. 38, tissue thickness compensator 1000 may comprise a corrugated pattern 1022. FIG. 38 shows a cross sectional view of corrugated pattern 1022 of tissue thickness compensator 1000 which may include multiple peaks 1024 and multiple valleys 1026. The various patterns illustrated herein and combinations thereof can be positioned within the outer portion 1006 and/or the inner portion 1004 to enhance the flexibility of the tissue thickness compensator 1000.

**[0146]** Further to the above, referring to FIGS. 40 and 41, the outer edge 1008 of tissue thickness compensator 1000 can comprise a generally atraumatic profile which can minimize an impact upon tissue T, for example, during and/or after the capturing of the tissue T and the tissue thickness compensator 1000 by staples 1002. For example, as illustrated in FIGS. 40 and 41, outer edge 1008 can comprise a generally scalloped profile. Other atraumatic profiles such as a feathered profile, for example, for the outer edge 1008 are also contemplated within the scope of the current disclosure. In addition, tissue thickness compensator 1000 may also comprise an atraumatic nose portion 1028 and/or an atraumatic tail portion 1030. As illustrated in FIGS. 40 and 41, atraumatic nose portion 1028 can comprise, for example, a generally curved shape and atraumatic tail portion 1030 may, for example, comprise a split tail with flexible ends 1032. Other atraumatic shapes for the nose portion 1028 and/or the tail portion 1030 are also contemplated within the scope of the current disclosure.

**[0147]** Referring again to FIGS. 40 and 41, tissue thickness compensator 1000 can comprise a gripping member 1034, which can reduce slippage between the tissue thickness compensator 1000 and the cartridge deck 1064 when the tissue thickness compensator 1000 is placed against the cartridge deck 1064. As illustrated in FIG. 40, gripping member 1034 can comprise multiple cylindrically shaped protrusions 1036, for example, which can be joined with corresponding recesses in the cartridge deck 1064. Gripping member 1034, as illustrated in FIG. 41, can comprise an arrow head shaped protrusion 1038 which can be mated with a corresponding recess in the cartridge deck 1064. Other gripping means for gripping tissue thickness compensator 1000 to cartridge deck 1064 are contemplated within the scope of the present disclosure. Gripping

member 1034, as illustrated in FIGS. 40 and 41, can be positioned in the nose portion 1028. Alternatively, gripping member 1034 can be positioned in other portions of tissue thickness compensator 1000 such as, for example, tail portion 1030.

**[0148]** Referring now to FIGS. 42-44, outer portion 1006 of tissue thickness compensator 1000 can comprise a cushioning member 1043 which can provide a pliable edge that contacts tissue T, for example, during and/or after the capturing of the tissue T and the tissue thickness compensator 1000 by staples 1002. In at least one embodiment, as illustrated in FIG. 44, cushioning member 1043 may comprise sufficient structural elasticity to collapse and/or bend when compressed against the tissue T. As illustrated in FIG. 43, cushioning member 1043 can partially extend over the outer edge 1008 and may be attached to outer edge 1008 by an adhesive, for example. Other attachment means for attaching cushioning member 1043 to outer edge 1008 are contemplated within the scope of the current disclosure. Alternatively, cushioning member 1043 can be an integral part of tissue thickness compensator 1000 that may be manufactured therewith. Cushioning member 1043 may comprise a biocompatible foam which can be comprised of a biodegradable material such as, for example, PGA, PCL, PLLA, and/or combinations thereof, for example. Furthermore, cushioning member 1043 may be comprised, at least in part, of alginate and/or oxidized regenerated cellulose (ORC). For example, cushioning member 1043 may include a plurality of alginate and/or ORC beads which may soften upon implantation in a patient which may increase the softness of cushioning member 1043.

**[0149]** The outer edge 1008 of the compensator 1000 may comprise a thickness greater than the thickness of the outer portion 1006. The greater thickness of the outer

edge 1008 may provide an atraumatic surface that contacts tissue T. Referring to FIGS. 45 and 46, outer portion 1006 of tissue thickness compensator 1000 can comprise a rolled outer edge 1046 which can be at least partially extended around outer portion 1006 and inwardly rolled towards the inner portion 1004. Similar to the above, rolled outer edge 1046 can provide a pliable outer edge that contacts tissue T, for example, during and/or after the capturing of the tissue T and the tissue thickness compensator 1000 by staples 1002.

**[0150]** Referring to FIGS. 47-49, as described above, the staple cartridge channel 1050 can be configured to receive a staple cartridge 1060 which can comprise a cartridge body 1062, a cartridge deck 1064. In addition, a tissue thickness compensator such as, for example, tissue thickness compensator 1100 may be removably positioned against or adjacent cartridge deck 1064, as illustrated in FIG. 47.

**[0151]** Referring again to FIGS. 47-49, a tissue thickness compensator may be configured to be absorbed after implantation in a patient. The absorption process may initially reduce the tissue thickness compensator into smaller pieces which may include rough edges that may have undesirable effects on surrounding tissue T. To mitigate these effects, tissue thickness compensator 1100 may be at least partially assembled from a plurality of pieces 1140, which each may have atraumatic outer peripheries and may be joined together to form a single structure, as illustrated in FIG. 48. Pieces 1140 can be joined to form tissue thickness compensator 1100 in a manner such that the absorption process may first reduce tissue thickness compensator 1100 into pieces 1140 thereby minimizing the presence of rough edges. For example, pieces 1140 may comprise circular profiles and may be joined together by thermal bonding to form tissue

thickness compensator 1100. Other profiles and other means for joining pieces 1140 are contemplated within the scope of the present disclosure. In one example, pieces 1140 can be joined together by an adhesive 1143 (See FIG. 48) configured to be absorbed faster than pieces 1140 to allow separation of the pieces 1140 in an initial stage of the absorption process. As illustrated in FIG. 48, pieces 1140 can be arranged in an overlapping array wherein an end portion of one of the pieces 1140 may overlap with an end portion of another one of the pieces 1140 such that the two end portions of the pieces 1140 are releasably attached to each other, for example, by an adhesive. Under certain circumstances, pieces 1140 can be arranged in another overlapping array wherein one of the pieces 1140 can be positioned over and releasably attached to a plurality of pieces 1140, as illustrated in FIG. 49.

**[0152]** Referring to FIGS. 50-53, as described above, a tissue thickness compensator may be configured to be absorbed after implantation in a patient and the absorption process may initially reduce the tissue thickness compensator into random smaller pieces. Guiding the absorption process to yield small pieces with atraumatic outer edges can be achieved, as described above, by starting with small pieces having atraumatic outer edges. Another approach may include modifying the tissue thickness compensator in such a manner that allows its separation into smaller pieces having atraumatic peripheries in an initial stage of the absorption process. For example, as illustrated in FIG. 50, a tissue thickness compensator 1200 may comprise a pattern such as pattern 1212, for example, which can be molded or carved into the tissue thickness compensator 1200 to yield, for example, a plurality of circular shaped portions 1210. The portions 1210 may be defined by reducing the thickness of tissue thickness

compensator 1200 along circumferences 1214 of the circular shaped portions 1210, as illustrated in the cross-sectional view in FIG. 51. In result, a faster absorption along the circumferences 1214 of circular shaped portions 1210 may occur which may lead to a separation of the circular shaped portions 1210 from each other in an initial stage of the absorption process. Patterns comprising portions with other geometrical shapes with atraumatic outer peripheries are contemplated within the scope of the current disclosure. For example, as illustrated in FIG. 52, tissue thickness compensator 1200' may comprise a pattern 1216 comprising portions 1218 which may include profiles that extend longitudinally in a wave-like profile along a length of tissue thickness compensator 1200'. In another example, as illustrated in FIG. 53, tissue thickness compensator 1200'' may comprise a pattern 1220 which may include hexagonal shaped portions 1222.

**[0153]** Referring to FIG. 54, as described above, a tissue thickness compensator, such as tissue thickness compensator 1250, may be captured along with tissue T by staples, such as staples 1002, for example, and may be configured to be reduced into atraumatic pieces, such as pieces 1226, for example, in an initial stage of the absorption process after implantation in a patient. Upon separation, pieces 1226 can move and/or slide relative to each other which may impact surrounding tissue T. To minimize relative motion between pieces 1226, fired staples 1002 can be spatially arranged onto tissue thickness compensator 1250 such that a staple 1002 may capture multiple pieces 1226, as illustrated in FIG. 54. This may also aid in maintaining tissue thickness compensator 1250 in a substantially singular structure even after pieces 1226 are separated from each other in the initial stage of the absorption process. As such,

the tissue thickness compensator 1250 may continue to provide support for tissue T captured by staples 1002 after pieces 1226 are separated from each other in the initial stage of the absorption process.

**[0154]** Further to the above, referring now to FIG. 55, yet another approach can be taken to guide the absorption process of a tissue thickness compensator to yield small pieces with atraumatic outer edges. For example, as illustrated in FIG. 55, a tissue thickness compensator such as tissue thickness compensator 1300 may comprise a plurality of slits 1310 which can be strategically positioned to improve the flexibility of tissue thickness compensator 1300, as described above. In addition, slits 1310 may partially divide tissue thickness compensator 1300 into a plurality of portions 1312 which may separate from each other during an initial stage of the absorption process. Slits 1312 can reduce the width of tissue thickness compensator 1300 along outer peripheries 1314 of portions 1312, as illustrated in FIG. 55. This reduction in width may lead to faster absorption along the outer peripheries 1314 of portions 1312, which can result in reducing tissue thickness compensator 1300 into separate portions 1312 during the initial stage of the absorption process.

**[0155]** Referring generally to FIGS. 55A-57, as described above, the staple cartridge channel 1050 can be configured to receive a staple cartridge 1060, for example, which in at least one embodiment, can be removably retained within the staple cartridge channel 1050. In various embodiments, the staple cartridge 1060 can comprise a cartridge body 1062, a cartridge deck 1064, and a tissue thickness compensator 1400 wherein, in at least one embodiment, as illustrated in FIG. 55A, tissue thickness compensator 1400 may be removably positioned against or adjacent cartridge deck

1064 and may comprise protrusions (not shown), as described above for mating engagement with recesses 1402.

**[0156]** Referring again to FIGS. 55A-57, compensator 1400 may comprise a plurality of layers. For instance, compensator 1400 may comprise a first layer 1400A, and a second layer 1400B, which can be positioned over the first layer 1400A. In addition, an outer periphery 1418 of the second layer 1400B may be at least partially extended beyond an outer periphery 1420 of the first layer 1400A. Furthermore, the first layer 1400A and the second layer 1400B may comprise different degrees of stiffness. For example, the second layer 1400B may be configured to be more flexible than the first layer 1400A. As illustrated in FIG. 55B, this arrangement may provide tissue thickness compensator 1400 with a sufficiently rigid inner region, comprised from the first layer 1400A and the second layer 1400 B, which may be suitable to provide adequate support for staples 1002, and a sufficiently flexible outer region, comprised from the second layer 1400B, which may be suitable to provide sufficient flexibility to soften the impact upon tissue T, for example, during and/or after the capturing of the tissue T and the tissue thickness compensator 1400 by staples 1002. Layers 1400A and 1400B can be joined together, for example, by an adhesive. Other attachment means for attaching the first layer 1400A to the second layer 1400B are contemplated within the scope of the current disclosure.

**[0157]** Further to the above, referring again to FIG. 55A, the first layer 1400A may include an inner portion 1404 and an outer portion 1406 at least partially surrounding the inner portion 1404, wherein the outer portion 1406 may be configured to be more flexible than the inner portion 1404. For example, as illustrated in FIG. 55A, the outer



portion 1404 may comprise a plurality of slits 1410, which as described above, may increase the flexibility of the outer portion 1404. Furthermore, as described above, the second layer 1400B may be configured to be more flexible than the first layer 1400A. This arrangement may provide tissue thickness compensator 1400 with three regions of different rigidity including a first inner region having the most rigidity, the inner region being comprised of inner portion 1404 of first layer 1400A and second layer 1400B, a middle region having an intermediate rigidity, the middle region being comprised of outer portion 1408 of first layer 1400A and the second layer 1400B, and a third outer region having the least rigidity, the third region being comprised solely of the second layer 1400B.

**[0158]** Referring now to FIGS. 56 and 57, the second layer 1400B of tissue thickness compensator 1400 can comprise a woven structure 1440, which may include a plurality of fibers 1442 which may be woven into woven structure 1440. The woven structure 1440 may provide the second layer 1400B with sufficient flexibility to soften the impact upon tissue T, for example, during and/or after the capturing of the tissue T and the tissue thickness compensator 1400 by staples 1002. Furthermore, the outer periphery 1418 can be comprised of fibers 1042 which can provide an atraumatic tissue contacting surface to minimize impact upon tissue T, as described above. Woven structure 1440 and fibers 1042 can be comprised of biocompatible materials. Furthermore, woven structure 1040 and/or fibers 1042 can be comprised from a bioabsorbable material such as PLLA, PGA, PCL, and/or combinations thereof, for example.

[0159] Referring now to FIGS. 60-60B, as described in greater detail below, a tissue thickness compensator 11050 can comprise a proximal end 11053 and a distal end 11055 wherein the proximal end 11053 and/or the distal end 11055 can comprise one or more strain relief portions which can reduce the rigidity of the tissue thickness compensator 11050 and the rigidity of the tissue being stapled. The distal end 11055 of the tissue thickness compensator 11050 can comprise one or more slots 11058 defined therein. The slots 11058 can comprise cuts and/or notches, for example, defined in the tissue thickness compensator 11050. The slots 11058 can define projections, or tabs, 11056 which can be configured to at least partially move and/or flex relative to one another and/or the body portion of the tissue thickness compensator 11050. Stated another way, the slots 11058 can provide localized strain relief to the tissue thickness compensator 11050 and the underlying tissue. In certain circumstances, the tabs 11056 of a first tissue thickness compensator 11050 can be overlapped with a proximal end 11053 of a second tissue thickness compensator 11050. In various circumstances, the slots 11058 can permit the first tissue thickness compensator 11050 and the second tissue thickness compensator to pivot relative to one another. In certain circumstances, referring primarily to FIG. 60B, the tabs 11056 of a first tissue thickness compensator 11050 can be overlapped with the tabs 11056 of a second tissue thickness compensator 11050. In various circumstances, the slots 11058 in the overlapped distal ends 11055 can further reduce the rigidity within the underlying tissue. Although the illustrated embodiment of tissue thickness compensator 11050 only comprises an arrangement of tabs 11057 and slots 11058 on one end thereof, a

tissue thickness compensator may comprise an arrangement of tabs 11056 and slots 11058 on both ends thereof, for example.

**[0160]** In certain embodiments, further to the above, each tab 11056 can comprise a tapered profile. For instance, each tab 11056 can comprise a base attached to the body of the tissue thickness compensator 11050 having a base width and a free end on the opposite end thereof having an end width, wherein the base width can be wider than the end width. In certain embodiments, the end width can be wider than the base width. Referring primarily to FIG. 60B, an end 11055 can comprise a plurality of tabs 11056 having different configurations. For instance, the tabs 11056 can have different lengths. As illustrated in FIG. 60B, an end-most tab 11056a can have a first length, a second tab 11056b can have a second length which is longer than the first length, a third tab 11056c can have a third length which is longer than the second length, a fourth tab 11056d can have a fourth length which is longer than the third length, a fifth tab 11056e can have a fifth length which is longer than the fourth length, and a sixth tab 11056f can have a sixth length which is longer than the fifth length, for example. In such an embodiment, the tabs 11056 can become progressively shorter toward the distal end of the tissue thickness compensator 11050. In other embodiments, the lengths of the tabs 11056 can be arranged in any other suitable arrangement.

**[0161]** In various circumstances, further to the above, a layer can comprise edges which define the perimeter of the layer. These edges may be straight, substantially straight, linear, and/or substantially linear, in certain circumstances. In some such circumstances, the layer edges may impinge on and/or otherwise affect the surrounding tissue. Also, in some such circumstances, the edges may be rigid and may rigidly

support the tissue. In effect, certain portions of the tissue may be unsupported by the layer which are adjacent to other portions of the tissue which are rigidly supported by the layer without transition therebetween. Referring to FIGS. 60-60B once again, the perimeter of the tissue thickness compensator 11050 can include a contoured configuration which can provide a region of transitional rigidity to the underlying tissue. The perimeter of the tissue thickness compensator 11050 can comprise a plurality of notches or recesses 11059 defined therein which can define tabs 11057. Similar to the above, the tabs 11057 can extend from the body of the tissue thickness compensator 11050 and can move relative thereto. Also similar to the above, each tab 11057 can comprise a base end attached to the body of the tissue thickness compensator 11050 and free end which is movable relative to the base end. In certain circumstances, the free end of a tab 11057 can have a width which is narrower than the width of the base end of the tab 11057 while, in other circumstances, the free end of a tab 11057 can have a width which is wider than the width of the base end of the tab 11057. The tabs 11057 can comprise any suitable configuration such as a semi-circular, or an at least partially arcuate, configuration, for example. As a result of the above, the tissue underlying and/or fastened to the body portion of the tissue thickness compensator 11050 can be rigidly supported by the body portion, the tissue underlying and/or fastened to the tabs 11057 can be less than rigidly supported by the tabs 11057, and the tissue adjacent to the tabs 11057, but not underlying the tabs 11057, may be unsupported by the tissue thickness compensator 11050.

**[0162]** Referring now to FIGS. 58 and 59, a staple cartridge assembly 11100 can comprise a cartridge body 11110 and a tissue thickness compensator 11150 attached

to the cartridge body 11110. The cartridge assembly 11100 can further comprise one or more attachment members 11160 configured to releasably hold the tissue thickness compensator 11150 to the cartridge body 11110. In at least one circumstance, each attachment member can comprise a strap which extends around the cartridge body 11110 and the tissue thickness compensator 11150. In use, further to the above, a firing member 10030 can be advanced through the staple cartridge 11100 to incise the tissue thickness compensator 11150, fire the staples at least partially stored in the cartridge body 11110, and sever the attachment members 11160. The tissue thickness compensator 11150 can comprise a first, or proximal, end 11157 and a second, or distal, end 11155. The distal end 11155 can comprise an elongate projection 11156 extending from a body portion 11153 of the tissue thickness compensator 11150. As illustrated in FIG. 58, the elongate projection 11156 can extend distally with respect to the distal-most attachment member 11160. In at least the illustrated embodiment, the cartridge body 11110 can comprise a deck 11113 within which staple cavities of the cartridge body 11110 can be defined. In various circumstances, the body 11153 of the tissue thickness compensator 11150 can be configured and arranged such that it covers the deck 11113 and the staple cavities defined in the cartridge body 11110. In at least some circumstances, as also illustrated in FIG. 58, the elongate projection 11156 can extend distally from the deck 11113 and extend distally with respect to the staple cavities defined in the deck 11113.

**[0163]** In use, further to the above, the tissue thickness compensator 11150 can be fastened to tissue and can provide tissue thickness compensation properties, as described herein. Similar to the above, the tissue underlying the tissue thickness

compensator 11150 may be rigidly supported by the tissue thickness compensator 11150 and the staples securing the same whereas the tissue surrounding the tissue thickness compensator 11150 may be unsupported by the tissue thickness compensator 11150 and may be flexible. In such circumstances, the tissue between the flexible unsupported tissue and the rigidly supported tissue underlying the tissue thickness compensator 11150, i.e., the transition tissue, can undergo an undesirable amount of strain. Such strain may negatively impact the transition tissue. For instance, when a tissue thickness compensator is secured to pulmonary, or lung, tissue, for example, the tissue immediately surrounding the perimeter of the tissue thickness compensator, i.e., the perimeter tissue, may tear in certain circumstances, especially the perimeter tissue adjacent to and/or surrounding the distal end of the tissue thickness compensator, i.e., the end perimeter tissue. The distal projection 11156 of the tissue thickness compensator 11150, however, can support the end perimeter tissue. Stated another way, the distal projection 11156 can provide transitional support to the end perimeter tissue. Such transitional support can be less than the support provided by the body of the tissue thickness compensator 11150 and can mitigate the change in strain between the unsupported tissue and the fully supported tissue underlying the tissue thickness compensator 11150. In various circumstances, the distal projection 11156 can provide an enlarged area in which force can be transmitted between the unstapled tissue and the stapled tissue. The distal projection 11156 can be configured to flex and move with the unsupported tissue and the tissue thickness compensator 11150. In various circumstances, the distal projection 11156 can move relative to the body portion of the tissue thickness compensator 11150 and/or the unsupported tissue.

**[0164]** The tissue thickness compensator 11150, referring again to FIGS. 58 and 59, can further comprise a notch 11157 defined in the proximal end 11153 thereof. The notch 11157 can be defined between two distally extending projections 11158. The notch 11157 can comprise any suitable shape, such as a parabolic shape, for example. Similar to the above, the distally extending projections 11158 can provide transitional support to the proximal end perimeter tissue. Such transitional support can be less than the support provided by the body of the tissue thickness compensator 11150 and can mitigate the change in strain between the unsupported tissue and the fully supported tissue underlying the tissue thickness compensator 11150. In various circumstances, the proximal projections 11158 can provide an enlarged area in which force can be transmitted between the unstapled tissue and the stapled tissue. The proximal projections 11158 can be configured to flex and move with the unsupported tissue and the tissue thickness compensator 11150. In various circumstances, the proximal projections 11158 can move relative to the body portion of the tissue thickness compensator 11150, each other, and/or the unsupported tissue. Various alternative embodiments are envisioned in which more than two projections extend from the proximal end and/or distal end of a tissue thickness compensator.

**[0165]** As illustrated in FIG. 59, two or more tissue thickness compensators 11150 can be implanted in an end-to-end manner along a path. In such circumstances, the distal end 11155 of a first tissue thickness compensator 11150 can overlap with the proximal end 11153 of a second tissue thickness compensator 11150. Similarly the distal end 11155 of the second tissue thickness compensator 11150 can overlap with the proximal end 11153 of a third tissue thickness compensator 11150. In various

circumstances, the distal projection 11156 of the first tissue thickness compensator 11150 can be aligned, or at least substantially aligned, with the recess 11157 of the second tissue thickness compensator 11150. Also, in various embodiments, the distal projection 11156 and the proximal recess 11158 can be sized and configured such that they have substantially the same size and/or shape. In various circumstances, a distal projection 11156 can be configured to be positioned within a proximal recess 11157 of an adjacent tissue thickness compensator 11150.

**[0166]** In various embodiments, referring now to FIG. 61, a staple cartridge assembly 16000 can comprise a cartridge body 16010 and a layer assembly 16020. The cartridge body 16010 can comprise a deck 16011 and a longitudinal slot 16012 defined in the deck 16011 which can be configured to slidably receive a cutting member 16030 therein. The cartridge body 16010 can further comprise a plurality of staple cavities defined therein which can each be configured to removably store a staple therein. The staple cavities can be part of two or more groups. For instance, the staple cavities can be divided into a first group of staple cavities 16015 and a second group of staple cavities 16016. In various circumstances, the groups of staple cavities can be organized in rows while, in other circumstances, the groups of staple cavities can overlap, or be inter-dispersed, with each other. In either event, the layer assembly 16020 can comprise a plurality of layers which can extend over the staple cavities. In use, as described in greater detail further below, the staples, when ejected from the staple cavities, can capture at least a portion of the layer assembly 16020 therein. The layers of the layer assembly 16020 can be configured such that only certain layers of the layer assembly 16020 extend over certain staple cavities. For instance, the layer



assembly 16020 can comprise a first layer 16050 which can extend over the first group of staple cavities 16015 and the second group of staple cavities 16016 and, in addition, a second layer 16040 which can extend over the second group of staple cavities 16016 but may not extend over the first group of staple cavities 16015.

**[0167]** In use, as a result the above and referring primarily to FIG. 62, certain staples deployed from the staple cartridge 16000 may capture only the first layer 16050 of the layer assembly 16020 while other staples may capture only the second layer 16040 of the layer assembly 16020. For instance, one or more outer rows of staples 16061 may capture only the first layer 16050 while one or more inner rows of staples 16063 may capture both the first layer 16050 and the second layer 16040. In various embodiments, one or more intermediate rows of staples 16062 can include some staples which capture only the first layer 16050 and other staples which capture both the first layer 16050 and the second layer 16040. In at least one embodiment, the second layer 16040 can comprise a plurality of tabs 16043 which can be configured to be captured within the staples 16062 of the intermediate row. The tabs 16043 can be separated by slots 16044 which can permit the tabs 16043 to move and flex relative to one another. For instance, the arrangement of slots 16044 and tabs 16043 can introduce flexibility within the staple tissue. In certain embodiments, the tabs 16043 can be sufficiently spaced apart such that some of the intermediate staples 16062 may capture a tab 16043 therein while others may not. Referring primarily to FIG. 61 once again, the second layer 16040 can include a longitudinal projection 16042 extending therefrom which can be configured to extend into the longitudinal slot 16012 defined in the cartridge body 16010. In various circumstances, the longitudinal projection 16042 can

be releasably secured or within the longitudinal slot 16012. In at least one embodiment, the longitudinal projection 16042 can fit snugly within the longitudinal slot 16012 via a press-fit engagement, for example. In any event, the engagement between the longitudinal slot 16012 and the longitudinal projection 16042 can maintain the alignment between the second layer 16040 and the cartridge body 16010. Moreover, the first layer 16050 can be mounted to the second layer 16040 such that the projection 16042 can also hold the first layer 16050 in position.

**[0168]** Further to the above, the first layer 16050 of the layer assembly 16020 can cover a first group of staple cavities and the second layer 16040 can cover a second group of staple cavities. Stated another way, the first layer 16050 of the layer assembly 16020 can have a different footprint than the second layer 16040. In various embodiments, the first layer 16050 of the layer assembly 16020 and the second layer 16040 can be comprised of different materials. In at least one such embodiment, the second layer 16040 can comprise a rigid material and can be configured to support the first layer 16050. The first layer 16050 can be comprised of a flexible material, or at least a material which is more flexible than the material comprising the second layer 16050. Referring primarily to FIG. 62, the flexible first layer 16050 can extend laterally beyond the second layer 16040. In such circumstances, the first layer 16050 can provide for a more flexible lateral edge of the layer assembly 16020. After the layer assembly 16020 has been implanted against the tissue T by the staples and transected by the cutting member 16030, referring primarily to FIG. 62, the second layer 16050 can support the tissue T located adjacent to the transection line while the first layer 16040 can extend laterally away alongside the tissue T. In various circumstances, the first

layer 16040 can provide a flexible transition between the tissue T supported by the second layer 16050 and the tissue T unsupported by the layer assembly 16020. In various circumstances, the first layer 16050 can comprise a tissue thickness compensator and the second layer 16040 can be comprised of a laminate material, for example.

**[0169]** In various embodiments, referring primarily to FIG. 61, the layer assembly 16020 can be attached to the cartridge body 16010. In at least one embodiment, the cartridge assembly 16000 can comprise at least one tie, or connector, which can releasably hold the layer assembly 16020 to the cartridge body 16010. For instance, the cartridge assembly 16000 can comprise a first connector releasably holding a distal end 16021 of the layer assembly 16020 to a distal end of the cartridge body 16010 and a second connector holding a proximal end 16022 of the layer assembly 16020 to a proximal end of the cartridge body 16010. As the firing member 16030 is advanced from the proximal end to the distal end of the cartridge body 16010 to deploy the staples therefrom and incise the layer assembly 16020, the firing member 16030 can also transect and/or otherwise defeat the connectors holding the layer assembly 16020 to the cartridge body 16010.

**[0170]** Referring now to FIGS. 64-66, an end effector assembly 5400 can include a first jaw, illustrated elsewhere, and a second jaw 5402. In various embodiments, the second jaw 5402 can include a fastener cartridge body 5450 and a layer of material 5458 releasably secured to the fastener cartridge body 5450 and/or to the second jaw 5402. The fastener cartridge body 5450 and the layer of material 5458 releasably secured thereto can comprise a fastener cartridge assembly, for example. In various

embodiments, the layer of material 5458 can comprise a piece of buttress material and/or a tissue thickness compensator, for example. In certain embodiments, the layer of material 5458 can be a piece of buttress material releasably secured to the fastener cartridge body 5450, for example. The second jaw 5402 can have a proximal portion 5404 and a distal portion 5406. In various embodiments, the second jaw 5402 can have a proximal connector 5480a (FIGS. 65 and 66) at the proximal portion 5404 and a distal connector 5480b (FIG. 66) at the distal portion 5406. The proximal connector 5480a and the distal connector 5480b can secure the layer of material 5458 relative to the cartridge body 5450. The connectors 5480a, 5480b can comprise bands and/or cords, for example.

**[0171]** Referring primarily to FIG. 64, the cartridge body 5450 can include a deck 5452. A slot 5456 can extend from the proximal portion 5404 toward the distal portion 5406 of the second jaw 5402, for example, and can be defined in a portion of the deck 5452, for example. In various embodiments, fastener cavities 5454 can also be defined in the deck 5452. Further, the second jaw 5402 can include fasteners, such as surgical staplers, for example, removably positioned in the fastener cavities 5454. For example, a fastener can be ejectably positioned in each fastener cavity 5454 of the cartridge body 5450. In various embodiments, the fasteners can be ejected from their respective fastener cavities 5454 by a sled 5434 (FIGS. 65 and 66) during a firing stroke.

**[0172]** Referring primarily to FIGS. 65 and 66, a firing assembly 5430 can include a firing bar 5432, a cutting edge 5436, and a foot 5438. The cutting edge 5438 can cut tissue and/or the layer of material 5458, for example, and the foot 5438 can guide the firing assembly 5430 along the slot 5456 in the cartridge body 5450 (FIG. 64), for

example. In various embodiments, the firing assembly 5430 can move along the slot 5456 in the cartridge body 5450 during a firing stroke. The firing assembly 5430 can engage the sled 5434 in the cartridge body 5430 and can drive the sled 5434 at least partially through the cartridge body 5450, for example. In certain embodiments, the sled 5434 can have a camming surface or ramp 5442, which can engage drivers in the fastener cavities 5454 during the firing stroke. When the ramp 5442 engages a driver in a fastener cavity 5454, the ramp 5442 can cam the driver and the corresponding fastener toward the cartridge deck 5452, and can eject the fastener from the fastener cavity 5454, for example. In certain embodiments, referring primarily to FIG. 65, at the beginning of the firing stroke, the firing assembly 5430 can be positioned at a proximal portion 5404 of the second jaw 5402. In such embodiments, referring primarily to FIG. 66, the firing bar 5432 can drive the firing assembly 5430 distally during the firing stroke. In various embodiments, the cutting edge 5436 can cut the proximal connector 5480a and the distal connector 5480b during the firing stroke. The cutting edge 5436 can cut the proximal connector 5480a at or near the beginning of the firing stroke, for example, and can cut the distal connector 5480b at or near the end of the firing stroke, for example.

**[0173]** Referring still to FIGS. 64-66, the layer of material 5458 can be secured to the deck 5452 of the cartridge body 5450 (FIG. 64) by the proximal connector 5480a (FIG. 65) and by the distal connector 5480b (FIGS. 65 and 66). Furthermore, the layer of material 5458 can include at least one mount 5460. The mount 5460 can be integrally molded with the layer of material 5458, for example. In certain embodiments, when the layer of material 5458 is secured to the deck 5452, the mount 5460 can extend from the

layer of material 5458 into the slot 5456 of the cartridge body 5450. Referring primarily to FIG. 65, the mount 5460 can extend into the slot 5456 (FIG. 64) between the proximal connector 5480a and the distal connector 5480b, for example. In other words, the mount 5460 can extend from an intermediate portion 5468 of the layer of material 5458. In various embodiments, the mount 5460 can be sized to fit in the slot 5456 when the layer of material 5458 is positioned on the deck 5452 cartridge body 5450.

Furthermore, the mount 5460 can be sized for unforced removal from the slot 5456 when the layer of material 5458 is lifted and/or peeled away from the cartridge body 5458. For example, the mount 5460 may not be friction fit in the slot 5456 and, in certain embodiments, when the mount 5460 is positioned in the slot 5456, a clearance or gap can exist between the mount 5460 and the slot 5456. The clearance can be approximately 0.12 mm, for example. In certain embodiments, the clearance can be up to approximately 0.24 mm, for example. In some embodiments, an interference of approximately 0.01 mm to approximately 0.12 mm can exist between the mount 5460 and the slot 5456, for example, such that the mount 5460 is compressed when positioned in the slot 5456, for example.

**[0174]** Referring still to FIGS. 64-66, the mount-slot engagement can prevent and/or limit lateral shifting and/or buckling of the intermediate portion 5468 of the layer of material 5458. For example, when the end effector assembly 5400 is placed and/or moved relative to tissue at a surgical site, the mount 5460 can remain positioned within the slot 5456 (FIG. 64) to hold the intermediate portion 5468 in position relative to the cartridge deck 5452. Some shifting of the layer of material 5458 may be possible owing to the clearance defined between the mount 5460 and the slot 5456, for example. In

various embodiments, the mount 5460 may not resist lifting and/or peeling of the layer of material 5458 away from the cartridge body 5450. For example, the mount 5460 may not be friction fit in the slot 5456, and the mount 5460 can be easily removed from the slot 5456 when the layer of material 5458 is lifted away from the deck 5452 of the cartridge body 5450, for example, after the cutting edge 5436 cuts the proximal connector 5680a and the distal connector 5680b. For example, as the firing assembly 5430 is driven distally during the firing stroke, an element of the firing assembly 5430 can contact the mount 5460 within the slot 5456. Referring primarily to FIG. 66, the sled 5434 can contact the mount 5460 when the sled 5434 is driven distally by the firing assembly 5430. Further, the sled 5434 can flex the mount 5460 out of the sled's path and out of the slot 5456. In other words, the sled 5434 can flex the mount 5460 to remove the mount 5460 from the slot 5456.

**[0175]** In various embodiments, the layer of material 5458 can include multiple mounts 5460, which can extend from the layer of material 5458 into the slot 5456 (FIG. 64) in the cartridge body 5450. The mounts 5460 can be spaced along at least a portion of the length of the slot 5456, for example. In certain embodiments, at least one mount 5460 can be positioned in the proximal portion 5404 of the second jaw 5402, and at least one mount 5460 can be positioned in the distal portion 5406 of the second jaw 5402. Further, the mounts 5460 can be positioned intermediate the proximal and distal connectors 5480a, 5480b (FIG. 65), for example. As the firing assembly 5430 (FIGS. 65 and 66) is fired distally during the firing stroke, the sled 5434 can sequentially engage each mount 5460 in the slot 5456 to flex and remove each mount 5460 from the slot 5456. When each mount 5460 is released from the slot 5456 and the proximal and

distal connectors 5480a, 5480b are cut or otherwise overcome, the layer of material 5458 can be unsecured relative to the deck 5452 of the cartridge body 5450.

**[0176]** Referring still to FIGS. 64-66, a mount 5460 can include a flexible stem 5462 and a head 5464. The flexible stem 5462 of the mount 5460 can flex when an element of the firing assembly 5430, such as the sled 5434, pushes against the head 5464 during the firing stroke. In certain embodiments, the head 5464 can have an enlarged, rounded shape to minimize the clearance between the head 5464 and the slot 5456 of the cartridge body 5450. In various embodiments, the head 5464 can fit within the slot 5456, and can be easily and smoothly removed from the slot 5456 when the layer of material 5458 lifted and/or peeled away from the cartridge body 5450.

**[0177]** Referring now to FIGS. 67-70, an end effector assembly 5500 can include a first jaw, illustrated elsewhere, and a second jaw 5502. In various embodiments, the second jaw 5502 can include the cartridge body 5450 and a layer of material 5558 releasably secured to the cartridge body 5450 and/or to the second jaw. The cartridge body 5450 and the layer of material 5558 releasably secured thereto can comprise a fastener cartridge assembly, for example. In various embodiments, the layer of material 5558 can comprise a piece of buttress material and/or a tissue thickness compensator, for example. In certain embodiments, the layer of material 5558 can be a piece of buttress material releasably secured to the cartridge body 5450. Further, the second jaw 5502 can have a proximal portion 5504 and a distal portion 5506. In various embodiments, the second jaw 5502 can have a proximal connector 5580a (FIGS. 68 and 69) at the proximal portion 5504 and a distal connector 5580b (FIG. 68) at the distal portion 5506. The proximal connector 5580a and the distal connector 5580b can



secure the layer of material 5558 relative to the cartridge body 5450. In various embodiments, the layer of material 5558 can include a ridge 5560. The ridge 5560 can be integrally molded with the layer of material 5558, for example. Referring primarily to FIG. 67, the ridge 5560 can extend longitudinally along at least a portion of the length of the layer of material 5558.

**[0178]** Referring primarily to FIG. 69, when the layer of material 5558 is secured to the cartridge body 5460, the ridge 5560 can extend into the slot 5456 in the cartridge body 5450. The ridge 5560 can extend into the slot 5456 between the proximal connector 5580a and the distal connector 5580b, for example. In various embodiments, the ridge 5560 can be sized to fit in the slot 5456 when the layer of material 5558 is positioned on the cartridge body 5450. Furthermore, the ridge 5560 can be sized for unforced removal from the slot 5456 when the layer of material 5558 is lifted and/or peeled away from the cartridge body 5458. For example, the ridge 5560 may not be friction fit in the slot 5456 and, in certain embodiments, when the ridge 5560 is positioned with the slot 5456, a clearance or gap can exist between the ridge 5560 and the slot 5456. The clearance can be approximately 0.08 mm, for example. In certain embodiments, the clearance can be up to approximately 0.24 mm, for example. In some embodiments, an interference of approximately 0.01 mm to approximately 0.06 mm can exist between the ridge 5560 and the slot 5456, for example, such that the ridge 5560 is compressed when positioned in the slot 5456, for example.

**[0179]** In various embodiments, the ridge-slot engagement can prevent and/or limit lateral shifting and/or buckling of the layer of material 5558 relative to the deck 5452 of the cartridge body 5450. For example, when the end effector assembly 5500 is placed

and/or moved relative to tissue at a surgical site, the ridge 5560 can remain positioned in the slot 5456 to hold the layer of material 5558 in position relative to the cartridge deck 5452. Some shifting of the layer of material 5558 relative to the cartridge body 5450 may be possible owing to the clearance defined between the ridge 5560 and the slot 5456, for example. In various embodiments, the ridge 5560 may not resist lifting and/or peeling of the layer of material 5558 away from the cartridge body 5450. For example, the ridge 5560 may not be friction fit in the slot 5456, and the ridge 5560 can be easily and smoothly removed from the slot 5456 when the layer of material 5550 is lifted away from the deck 5452 of the cartridge body 5450, for example, after the cutting edge 5436 cuts the proximal connector 5680a and the distal connector 5680b. In various embodiments, the cutting edge 5436 of the firing assembly 5430 can cut the layer of material 5558, as well as the ridge 5560, for example, when the cutting edge 5436 is driven distally during the firing stroke.

**[0180]** Referring primarily to FIGS. 68-70, the layer of material 5558 can include a reinforcement feature 5570, which can extend along at least a portion of the length of the layer of material 5558. The reinforcement feature 5570 can extend from a proximal portion 5504 of the second jaw 5502 toward the distal portion 5506 of the second jaw 5502, for example. The reinforcement feature 5570 can be integrally molded with the layer of material 5558, for example. In various embodiments, the reinforcement feature 5570 can increase the moment of inertia of the layer of material 5558 such that the reinforcement feature 5570 can reinforce, support and/or rigidify the layer of material 5558. For example, when the cutting edge 5436 (FIGS. 65 and 66) traverses the layer of material 5558 during the firing stroke, the reinforcement feature 5570 can prevent

and/or limit shifting and/or buckling of the layer of material 5558 relative to the cartridge body 5450. Further, the reinforcement feature 5570 can engage tissue clamped between the first jaw and the second jaw 5502 of the end effector assembly 5500. In certain embodiments, the reinforcement feature 5570 can prevent and/or limiting shifting of the clamped tissue relative to the cartridge body 5450, for example. In various embodiments, the layer of material 5558 can include multiple reinforcement features 5570, which can extend along at least a portion of the length of the layer of material 5558. The reinforcement features 5570 can be parallel, for example, and can extend on either side or both sides of the ridge 5560, for example. In various embodiments, the reinforcement feature 5570 and/or the ridge 5560 can extend along a portion of the length of the layer of material 5558 and can stop before reaching the distal portion thereof. The absence of the reinforcement feature 5570 and/or the ridge 5560 at the distal portion can lend flexibility to the distal portion of the layer of material 5558.

**[0181]** Referring now to FIG. 71, a layer of material 5588 for use with an end effector assembly can have a longitudinal ridge 5590, similar to the ridge 5560, for example. In various embodiments, the layer of material 5588 and/or the ridge 5590 can be a piece of buttress material and/or a tissue thickness compensator, for example. The ridge 5590 can extend along at least a portion of the length of the layer of material 5588. Further, the ridge 5590 can be received within a slot in the end effector, such as the slot 5456 in the cartridge body 5450 (**FIG. 67**), for example. In certain embodiments, the ridge 5590 can provide sufficient reinforcement, support, and rigidity to the layer of material 5588, without the addition of supplementary reinforcement features, for example.

[0182] Referring now to FIGS. 72-75, an end effector assembly 5600 can include a first jaw, illustrated elsewhere, and a second jaw 5602. In various embodiments, the second jaw 5602 can include the cartridge body 5450 and a layer of material 5658 releasably secured to the cartridge body 5450 and/or to the second jaw 5602. In various embodiments, the cartridge body 5450 and the layer of material 5458 releasably secured thereto can comprise a fastener cartridge assembly, for example. The layer of material 5658 can comprise a piece of buttress material and/or a tissue thickness compensator, for example. In certain embodiments, the layer of material 5658 can be a piece of buttress material releasably secured to the cartridge body 5450, for example. Further, the second jaw 5602 can have a proximal portion 5604 and a distal portion 5606. In various embodiments, the second jaw 5602 can have a proximal connector 5680a (FIGS. 73 and 74) at the proximal portion 5604 and a distal connector 5680b (FIG. 73) at the distal portion 5606. The proximal connector 5680a and the distal connector 5680b can secure the layer of material 5658 relative to the cartridge body 5450. In various embodiments, the layer of material 5658 can include a ridge 5660. The ridge 5660 can be integrally molded with the layer of material 5658, for example. Referring primarily to FIG. 72, the ridge 5660 can extend longitudinally along at least a portion of the length of the layer of material 5658. In various embodiments, the ridge 5660 can be a folded portion of the layer of material 5658. For example, the layer of material 5658 can be crimped, creased and/or folded over itself to form a thicker portion, which can be the ridge 5660. Referring primarily to FIGS. 74 and 75, the ridge 5660 can be folded into a U-shape, for example, and can include a rounded tip 5662.

**[0183]** Referring primarily to FIG. 74, when the layer of material 5658 is secured to the cartridge body 5460, the ridge 5660 can extend into the slot 5456 in the cartridge body 5450. In certain embodiments, the slot 5456 can be structured to receive the ridge 5660. The ridge 5660 can be sized to fit in the slot 5456 when the layer of material 5658 is positioned on the cartridge body 5450. Furthermore, the ridge 5660 can be sized for unforced removal from the slot 5456 when the layer of material 5658 is lifted and/or peeled away from the cartridge body 5458. For example, the ridge 5660 may not be friction fit in the slot 5456 and, in certain embodiments, when the ridge 5660 is positioned within the slot 5456, a clearance or gap can exist between the ridge 5660 and the slot 5456. The clearance can be approximately 0.12 mm, for example. In certain embodiments, the clearance can be up to approximately 0.24 mm, for example. In some embodiments, an interference of approximately 0.01 mm to approximately 0.18 mm can exist between the ridge 5660 and the slot 5456, for example, such that the ridge 5660 is compressed when positioned in the slot 5456, for example.

**[0184]** In various embodiments, the ridge-slot engagement can prevent and/or limit lateral shifting and/or buckling of the layer of material 5658. For example, when the end effector assembly 5600 is placed and/or moved relative to tissue at a surgical site, the ridge 5660 can remain positioned in the slot 5456 to hold the layer of material 5658 in position relative to the cartridge deck 5452. Shifting of the layer of material 5658 relative to the cartridge body 5450 can be limited by the clearance. For example, some shifting of the layer of material 5658 may be possible owing to the clearance defined between the ridge 5660 and the slot 5456. In various embodiments, the ridge 5660 may not resist lifting and/or peeling of the layer of material 5658 away from the cartridge

body 5450. For example, the ridge 5660 may not be friction fit in the slot 5456, and the ridge 5660 can be easily removed from the slot when the layer of material 5658 is lifted away from the deck 5452 of the cartridge body 5450, for example, after the cutting edge 5436 cuts the proximal connector 5680a and the distal connector 5680b. In various embodiments, when the firing assembly 5430 (FIGS. 65 and 66) is fired along the slot 5456 during a firing stroke, the sled 5434 and/or another element of the firing assembly 5430 can easily and smoothly release the ridge 5660 from the slot 5456, for example, to release the layer of material 5658 from the cartridge body 5450. The cutting edge 5436 of the firing assembly 5430 can cut the layer of material 5658, as well as the ridge 5660, for example, when the cutting edge 5436 is driven distally during the firing stroke.

**[0185]** Referring primarily to FIGS. 73-75, the layer of material 5658 can include a reinforcement feature 5670, which can extend along at least a portion of the length of the layer of material 5658. The reinforcement feature 5670 can extend from the proximal end of the second jaw 5602 to the distal end of the second jaw 5602, for example. The reinforcement feature 5670 can be integrally molded with the layer of material 5658, for example. In various embodiments, the reinforcement feature 5670 can be a folded portion of the layer of material 5658. For example, the layer of material 5658 can be creased, crimped and/or folded over itself to form a thicker portion, which can form the reinforcement feature 5670. Referring primarily to FIGS. 74 and 75, the reinforcement feature 5670 can be crimped into a V-shape, and can include a pointed tip 5672, for example. In various embodiments, the reinforcement feature 5670 can reinforce, support and/or rigidify the layer of material 5658. In some embodiments, the reinforcement feature 5670 can be configured to bend along the tip 5672 thereof to

resist a lateral force applied along the edge of the layer of material 5658 such that the layer of material 5658 remains positioned on the cartridge body 5450. For example, when the cutting edge 5436 (FIGS. 65 and 66) traverses the layer of material 5658 during the firing stroke, the reinforcement feature 5670 can prevent and/or limit shifting and/or buckling of the layer of material 5658 relative to the cartridge body 5450.

Further, the reinforcement feature 5670 can engage tissue clamped between the first jaw and the second jaw 5602 of the end effector assembly 5600. For example, the reinforcement feature 5670 can prevent and/or limiting shifting of the clamped tissue relative to the cartridge body 5450. The pointed tip 5672 can engage the tissue, and can hold the tissue in place relative to the layer of material 5658 during the firing stroke, for example. In various embodiments, the layer of material 5658 can include multiple reinforcement features 5670 which can extend along at least a portion of the length of the layer of material 5658. The reinforcement features 5670 can be parallel, for example, and can extend on either side or both sides of the ridge 5660, for example.

**[0186]** Referring now to FIGS. 76 and 77, an end effector assembly 5700 can include a first jaw, illustrated elsewhere, and a second jaw 5702. In various embodiments, the second jaw 5702 can include a cartridge body 5750 and a layer of material 5758 releasably secured to the cartridge body 5750 and/or to the second jaw 5702. In various embodiments, the cartridge body 5750 and the layer of material 5758 releasably secured thereto can comprise a fastener cartridge assembly, for example. The layer of material 5758 can comprise a piece of buttress material and/or a tissue thickness compensator, for example. In certain embodiments, the layer of material 5758 can be a piece of buttress material releasably secured to the cartridge body 5750, for example.

The second jaw 5702 can have a proximal portion 5704 and a distal portion 5706. In various embodiments, the second jaw 5702 can have a proximal connector 5780a (FIG. 77) at the proximal portion 5704 and a distal connector 5780b (FIG. 77) at the distal portion 5706. The proximal connector 5780a and the distal connector 5780b can secure the layer of material 5758 relative to the cartridge body 5750.

**[0187]** Referring primarily to FIG. 76, the cartridge body 5750 can include a deck 5752. A slot 5756 can extend from the proximal portion 5704 toward the distal portion 5706 of the second jaw 5702, and can be defined in a portion of the deck 5752, for example. In various embodiments, fastener cavities 5754 can be defined in the deck 5752. The second jaw 5702 can also include fasteners, such as surgical staplers, removably positioned in the fastener cavities 5754. For example, a fastener can be ejectably positioned in each fastener cavity 5754 of the cartridge body 5750. In various embodiments, the fasteners can be ejected from their respective fastener cavities 5754 in the cartridge body 5750 by a sled, similar to sled 5434 (FIGS. 65 and 66) during a firing stroke.

**[0188]** Referring still to FIGS. 76 and 77, a firing assembly, such as the firing assembly 5430 (FIGS. 65 and 66) can move along the slot 5756 in the cartridge body 5750 during the firing stroke. As described previously, the firing assembly 5430 can include a firing bar 5432, a cutting edge 5436, and a foot 5438 (FIGS. 65 and 66), for example. In various embodiments, the firing assembly 5430 can engage the sled in the cartridge body 5730 and can drive the sled at least partially through the cartridge body 5750 during the firing stroke. In certain embodiments, the sled can have a camming surface or ramp, which can engage drivers in the fasteners cavities 5754 during the



firing stroke. When the ramp engages a driver in a fastener cavity 5754, the ramp can cam the driver and corresponding fastener toward the cartridge deck 5752, and can eject the fastener from the fastener cavity 5754, for example. In various embodiments, the cutting edge 5436 can cut the proximal connector 5780a and the distal connector 5780b (FIG. 77) during the firing stroke. The cutting edge 5436 can cut the proximal connector 5780a at or near the beginning of the firing stroke, for example, and can cut the distal connector 5780b at or near the end of the firing stroke, for example.

**[0189]** Referring still to FIGS. 76 and 77, the layer of material 5758 can be releasably secured to the deck 5752 of the cartridge body 5750 by the proximal connector 5780a and by the distal connector 5780b (FIG. 77). In various embodiments, the cartridge body 5750 can include at least one notch 5748a (FIG. 76), which can be defined in the deck 5752, for example. The notch 5748a can be positioned between the proximal connector 5780a and the distal connector 5780b, for example. Further, in various embodiments, the layer of material 5758 can include a mount 5760a (FIG. 76), which can be integrally molded with the layer of material 5758, for example. In certain embodiments, when the layer of material 5758 is secured to the deck 5752, the mount 5760a can extend from the layer of material 5758 into the notch 5748a of the cartridge body 5750. The mount 5760a can remain positioned within the notch 5748a to hold the layer of material 5758 relative to the deck 5752 of the cartridge body 5750. The mount 5760a can be sized to fit in the notch 5748a when the layer of material 5758 is positioned on the cartridge body 5750. Furthermore, the mount 5760a can be sized for unforced removal from the notch 5748a when the layer of material 5758 is lifted and/or peeled away from the cartridge body 5758. For example, the mount 5760 may not be

friction fit in the notch 5748a, and, in certain embodiments, when the mount 5760a is positioned in the notch 5748a, a clearance or gap can exist between the mount 5760a and the notch 5748a. The clearance can be approximately 0.08 mm, for example. In certain embodiments, the clearance can be up to approximately 0.24 mm, for example. In some embodiments, an interference of approximately 0.01 mm to approximately 0.06 mm can exist between the mount 5760a and the notch 5748a, for example, such that the mount 5760a is compressed when positioned in the notch 5748a, for example.

**[0190]** In various embodiments, the mount-notch engagement can prevent and/or limit lateral shifting and/or buckling of the layer of material 5758 relative to the cartridge body 5750. For example, when the end effector assembly 5700 is placed and/or moved relative to tissue at a surgical site and/or when the cutting edge 5436 (FIGS. 65 and 66) cuts the layer of material 5758, the mount 5760a can remain positioned in the notch 5748a to hold the layer of material 5758 in position relative to the cartridge deck 5752. In certain embodiments, shifting of the layer of material 5758 relative to the cartridge body 5750 can be limited by the clearance defined between the mount 5760a and the notch 5748a. For example, some shifting of the layer of material 5758 may be possible owing to the clearance. Further, after the cutting edge 5436 cuts the proximal connector 5780a and the distal connector 5780b, the mount 5760a can smoothly disengage and/or be removed from the notch 5748a as the layer of material 5758 is lifted and/or peeled away from the cartridge body 5750.

**[0191]** Referring primarily to FIG. 76, the cartridge body 5750 can include at least one pair of notches 5748a, 5748b, and the layer of material 5758 can include a pair of mounts 5760a, 5760b. The first notch 5748a can be positioned on a first longitudinal

side of the cartridge body 5750, for example, and the second notch 5748b can be positioned on a second longitudinal side of the cartridge body 5750, for example. In other words, each notch of the pair of notches 5748a, 5748b can be positioned on opposite sides of the slot 5756 in the cartridge body 5750. In certain embodiments, the second notch 5748b can be a mirror image reflection of the first notch 5748a across the slot 5756, for example. Further, when the layer of material 5758 is secured to the cartridge body 5750, each mount of the pair of mounts 5760a, 5760b can be aligned with a notch of the pair of notches 5748a, 5748b such that the first mount 5760a extends into the first notch 5748a and the second mount 5760b extends into the second notch 5748b. In various embodiments, the pair of notches 5748a, 5748b in the cartridge body 5750 can be positioned at the perimeter of the cartridge body 5750. Further, in certain embodiments, the pair of mounts 5760a, 5760b can be positioned at the perimeter of the layer of material 5758.

**[0192]** In various embodiments, the mount-notch engagement on both sides of the cartridge body 5750 can further prevent and/or limit lateral shifting and/or buckling of both longitudinal sides of the layer of material 5758. For example, when the cutting edge 5436 of the firing assembly 5430 (FIGS. 65 and 66) cuts the layer of material 5758, the pair of mounts 5760a, 5760b can remain positioned in the pair of notches 5748a, 5748b to hold the perimeter of the layer of material 5758 in position relative to the perimeter of the cartridge deck 5752. In other words, the pair of mounts 5760a, 5760b can prevent at least a portion of the layer of material 5758 from slipping laterally relative to the cartridge deck 5752. Further, as the layer of material 5758 is lifted and/or peeled away from the cartridge body 5750, for example, after the cutting edge 5436

cuts the proximal and distal connectors, the pair of mounts 5760a, 5760b can be easily and smoothly removed from the pair of notches 5748a, 5748b. In various embodiments, the layer of material 5758 can include multiple pairs of mounts 5760a, 5860b, and the cartridge body 5750 can include multiple pairs of notches 5748a, 5748b. When the layer of material 5758 is secured to the cartridge body 5750, each pair of mounts 5760a, 5760b of the layer of material 5758 can be aligned with a pair of notches 5748, for example. In such embodiments, the mount-notch engagement along a length of the perimeter of the lower jaw 5702 can further prevent and/or limit lateral shifting and/or buckling of a length of the layer of material 5758 relative to the cartridge body 5750.

**[0193]** Referring now to FIGS. 78-80, an end effector assembly 5800 can include a first jaw, illustrated elsewhere, and a second jaw 5802. In various embodiments, the second jaw 5802 can include a cartridge body 5850 and a layer of material 5858 releasably secured to the cartridge body 5850 and/or to the second jaw 5802. In various embodiments, the cartridge body 5850 and the layer of material 5858 releasably secured thereto can comprise a fastener cartridge assembly, for example. The layer of material 5858 can comprise a piece of buttress material and/or a tissue thickness compensator, for example. In certain embodiments, the layer of material 5858 can be a piece of buttress material releasably secured to the cartridge body 5850, for example. The second jaw 5802 can have a proximal portion 5804 and a distal portion 5806. In various embodiments, the second jaw 5802 can have a proximal connector, similar to proximal connector 5780a (FIG. 77), at the proximal portion 5804 and a distal connector, similar to distal connector 5880b (FIG. 77), at the distal portion 5406. The

proximal connector and the distal connector can secure the layer of material 5858 relative to the cartridge body 5850.

**[0194]** Referring primarily to FIG. 78, the cartridge body 5850 can include a deck 5852. A slot 5856 can extend from the proximal portion 5804 toward the distal portion 5806 of the second jaw 5802, and can be defined in a portion of the deck 5852, for example. In various embodiments, fastener cavities 5854 can be defined in the deck 5852. The second jaw 5802 can also include fasteners, such as surgical staplers, removably positioned in the fastener cavities 5854. For example, a fastener can be ejectably positioned in each fastener cavity 5854 of the cartridge body 5850. In various embodiments, the fasteners can be ejected from their respective fastener cavities 5854 in the cartridge body 5850 by a sled, similar to sled 5434 (FIGS. 65 and 66) during a firing stroke.

**[0195]** A firing assembly, such as firing assembly 5430 (FIGS. 65 and 66) can move along the slot 5856 in the cartridge body 5850 during the firing stroke. The firing assembly 5430 can include a firing bar 5432, a cutting edge 5436, and a foot 5438, for example. In various embodiments, the firing assembly 5430 can engage the sled in the cartridge body 5850 and can drive the sled at least partially through the cartridge body 5850 during the firing stroke. In certain embodiments, the sled can have a camming surface or ramp, which can engage drivers in the fasteners cavities 5854 during the firing stroke. When the ramp engages a driver in a fastener cavity 5854, the ramp can cam the driver and the corresponding fastener toward the cartridge deck 5852, and can eject the fastener from the fastener cavity 5854, for example. In various embodiments, the cutting edge 5436 can cut the proximal and distal connectors during the firing

stroke. The cutting edge 5436 can cut the proximal connector at or near the beginning of the firing stroke, for example, and can cut the distal connector at or near the end of the firing stroke, for example.

**[0196]** Referring still to FIGS. 78-80, the cartridge body 5850 can include at least one notch 5848, which can be defined in the deck 5852 (FIG. 78), for example. The notch 5848 can be positioned between the proximal connector and the distal connector, for example. Further, in various embodiments, the layer of material 5858 can include a pair of mounts 5860a, 5860b. The pair of mounts 5860a, 5860b can be integrally molded with the layer of material 5858, for example. In certain embodiments, when the layer of material 5858 is secured to the deck 5852, the pair of mounts 5860a, 5860b can extend from the layer of material 5858 into the notch 5848 of the cartridge body 5850. The pair of mounts 5860a, 5860b can be positioned the notch 5848 to hold the layer of material 5858 relative to the deck 5852 of the cartridge body 5850. In various embodiments, the pair of mounts 5860a, 5860b can be sized to fit in the notch 5848 when the layer of material 5858 is positioned on the cartridge body 5850. Furthermore, the pair of mounts 5860a, 5860b can be sized for unforced removal from the notch 5848 when the layer of material 5858 is lifted and/or peeled from the cartridge body 5858. In certain embodiments, when the pair of mounts 5860a, 5860b are positioned within the notch 5848, a clearance or gap can exist between each mount 5860a, 5860b and the notch 5848. The clearance can be approximately 0.12 mm, for example. In certain embodiments, the clearance can be up to approximately 0.24 mm, for example. In some embodiments, an interference of approximately 0.01 mm to approximately 0.18 mm can exist between the each mount 5860a, 5860b and the notch 5848, for example,

such that each mount 5860a, 5860b is compressed when positioned in the notch 5848, for example.

**[0197]** In various embodiments, the mount-notch engagement can prevent and/or limit lateral shifting and/or buckling of the layer of material 5858. For example, when the cutting edge 5436 (FIGS. 65 and 66) cuts the layer of material 5858, the pair of mounts 5860a, 5860b can remain positioned in the notch 5848 to hold the layer of material 5858 in position relative to the cartridge deck 5852. Shifting of the layer of material 5858 relative to the cartridge body 5850 can be limited by the clearance defined between each mount 5860a, 5860b and the notch 5848, for example. For example, some shifting of the layer of material 5858 may be possible owing to the clearance. In various embodiments, the mounts 5860a, 5860b may not resist lifting and/or peeling of the layer of material 5858 away from the cartridge body 5850. For example, the mounts 5860a, 5860b may not be friction fit in the notch 5848, and the mounts 5860a, 5860b can be easily and smoothly removed from the notch 5848 when the layer of material is lifted away from the deck of the cartridge body 5850, for example, after the cutting edge 5436 cuts the proximal and distal connectors.

**[0198]** Referring primarily to FIG. 78, the notch 5848 can extend from the slot 5856 in the cartridge body 5850, and can intersect the slot 5856, for example. In such embodiments, when the pair of mounts 5860a, 5860b extends into the notch 5848, the mount 5860a can be positioned on a first side of the slot 5856 and the mount 5860b can be positioned on a second side of the slot 5856, for example. In certain embodiments, the mount 5860b can be a mirror image reflection of the mount 5860a across the slot 5856, for example. Further, referring primarily to FIG. 79, the pair of mounts 5860a,

5860b may not overlap the slot 5856, for example. In such embodiments, the cutting edge 5436 of the firing assembly 5430 (FIGS. 65 and 66) can transect the layer of material 5858 during the firing stroke without cutting the mounts 5860a, 5860b, for example. In other words, the firing assembly 5430 can pass between the pair of mounts 5860a, 5860b during the firing stroke. In such embodiments, the mount-notch engagement on both sides of the slot 5856 can further prevent and/or limit lateral shifting and/or buckling of both longitudinal sides of the layer of material 5858, for example. Referring primarily to FIG. 78, the cartridge body 5850 can include multiple notches 5848 spaced along a portion of the length of the cartridge body 5850. Further, the layer of material 5858 can include multiple pairs of mounts 5860a, 5860b. When the layer of material 5858 is secured to the cartridge body 5850, the pairs of mounts 5860a, 5860b of the layer of material 5858 can be aligned with the notches 5848, for example. In such embodiments, the mount-notch engagement along a portion of the length of the lower jaw 5802 can further prevent and/or limit lateral shifting and/or buckling of a length of the layer of material 5858.

**[0199]** Referring now to FIGS. 80A and 80B, a layer of material 5958 for use with an end effector can have a perimeter 5970 that defines the edge of the layer of material 5958. In various embodiments, the layer of material 5958 can be a piece of buttress material or a tissue thickness compensator, for example. Further, the perimeter 5970 can include contours 5974 and indentations 5972. In various embodiments, an indentation 5972 can be positioned intermediate each contour 5974 to form a scalloped edge along at least a portion of the perimeter 5970. In various embodiments, the perimeter can be a scalloped perimeter. In certain embodiments, a portion of the



perimeter 5970 can be a scalloped perimeter, and a portion of the perimeter can be a non-scalloped perimeter. The scalloped edge of the perimeter 5970 can prevent and/or limit abrasions and/or other damage to tissue that contacts the perimeter 5970 while the layer of material 5958 is positioned relative to the surgical site.

**[0200]** Referring still to FIGS. 80A and 80B, the layer of material 5958 can include a top surface 5962 (FIG. 80A) and a bottom surface 5966 (FIG. 80B). The top surface 5962 can be positioned relative to the first jaw or anvil of an end effector, for example, and the bottom surface 5966 can be positioned relative to a second jaw or fastener cartridge of the end effector, for example. In various embodiments, the layer of material 5958 can include a proximal portion 5904 and a distal portion 5906. In certain embodiments, the layer of material 5958 can include a mount 5960, 5964 extending from the top surface 5962 and/or the bottom surface 5966 thereof. In various embodiments, the mount 5960, 5964 can be positioned in an indentation or notch in the end effector 5902, such as a notch in the cartridge body and/or in the anvil. In certain embodiments, the mount 5960, 5964 can support, reinforce and/or rigidify the layer of material 5958. For example, when the cutting edge 5436 (FIGS. 65 and 66) traverses the layer of material 5958 during a firing stroke, the mount 5960 can prevent and/or limit shifting and/or buckling of the layer of material 5958 relative to the cartridge body. Further, one of the mounts 5960, 5964 can engage tissue clamped between the first jaw and the second jaw of the end effector 5902, for example. In such embodiments, the mount 5960, 5964 can prevent and/or limiting shifting of the clamped tissue relative to the cartridge body, for example. Referring primarily to FIG. 80A, the mount 5960 can be at the distal portion 5906 of the layer of material 5958. The mount 5960 can include

multiple projections or buttons extending from the top surface 5962, for example. In various embodiments, the buttons of the mount 5960 can be arranged in a triangle, for example. Referring primarily to FIG. 80B, the mount 5964 can extend from the bottom surface 5966 of the layer of material 5958, for example. The mount 5964 can be at the distal portion 5906 of the layer of material 5958, and can be V-shaped, for example.

**[0201]** Referring now to FIGS. 81-84, an end effector assembly 5000 can include a first jaw, illustrated elsewhere, and a second jaw 5002. In various embodiments, the second jaw 5002 can include a fastener cartridge assembly comprising a fastener cartridge body 5050 and a layer of material 5058 releasably secured to the fastener cartridge body 5050. In various embodiments, the layer of material 5058 can comprise a tissue thickness compensator and/or piece of buttress material. For example, the layer of material 5058 can be a piece of buttress material releasably secured to the fastener cartridge body 5050. Referring primarily to FIG. 81, the fastener cartridge body 5050 can have fastener cavities 5054 defined therein. Further, the second jaw 5002 and/or the fastener cartridge body 5050 can include fasteners, such as surgical staples, for example, which can be removably positioned in the fastener cavities 5054. For example, a fastener can be ejectably positioned in each fastener cavity 5054 of the cartridge body 5050. In certain embodiments, the cartridge body 5050 can include a slot 5056, which can extend from a proximal portion 5004 of the second jaw 5002 toward a distal portion 5006 of the second jaw 5002. In various embodiments, a firing assembly 5030 can translate along the slot 5056 of the cartridge body 5050. For example, the firing assembly 5030 can translate within the slot 5056 during a firing

stroke, and can eject the fasteners from the fastener cavities 5054 during the firing stroke.

**[0202]** Referring still to FIGS. 81-84, the firing assembly 5030 can include a firing bar, a cutting edge 5036 (FIGS. 81 and 82), a crossbar 5038 (FIGS. 81 and 82), a nose 5040 (FIG. 81) and a foot 5034. The cutting edge 5036 can cut tissue and/or cut the layer of material 5058 as the firing assembly 5030 is fired through the second jaw 5002 during a firing stroke. The crossbar 5038 can engage the first jaw, such as a slot in the anvil thereof, to hold the first jaw relative to the cartridge body 5050, and the foot 5034 can engage the second jaw 5002, such as the slot 5056 (FIG. 81) in the cartridge body 5050, to hold the firing assembly 5030 relative to the cartridge body 5050, for example. In various embodiments, the firing assembly 5030 can engage a sled in the cartridge body 5050 during the firing stroke. An element of the firing assembly 5030, such as the nose 5040, for example, can engage the sled and push the sled distally during the firing stroke to eject fasteners from the fastener cavities 5054, for example.

**[0203]** Referring primarily to FIG. 81, the layer of material 5058 can be releasably secured to the cartridge body 5050 by at least one connector. In certain embodiments, multiple connectors can secure the layer of material 5058 to the cartridge body 5050. For example, a proximal connector can secure the layer of material 5058 to the cartridge body 5050 at the proximal portion 5004 of the second jaw 5002, and a distal connector 5080 can secure the layer of material 5058 to the cartridge body 5050 at the distal portion 5006 of the second jaw 5002. In various embodiments, a mount 5064 can extend from the layer of material 5058 at the distal portion of the second jaw 5002. The distal connector 5080 can extend or wrap around at least part of the second jaw 5002

and/or the cartridge body 5050, as well as the mount 5064 to hold the layer of material 5058 relative to the cartridge body 5050, for example. In certain embodiments, additional connectors can secure the layer of material 5058 to the cartridge body 5050. In such embodiments, the additional connectors can be spaced along at least a portion of the length of the cartridge body 5050, and can be positioned between the proximal connector and the distal connector 5080, for example. In various embodiments, a connector can be a band, a tie, and/or a suture, and can include braided and/or intertwined fibers, for example. The end of a cut and/or severed connector may be sharp, for example, and may pierce and/or lacerate adjacent tissue as the surgeon removes the end effector assembly from the patient's tissue. However, the end of a braided connector can be less sharp than the end of a non-braided connector. For example, the cut end of a braided connector may fray, which can result in a less sharp end. With braided connectors, puncturing and/or lacerations to the tissue by the cut and/or severed end of the connector can be reduced and/or substantially eliminated. In various embodiments, a braided connector can have at least substantially the same tensile holding strength as a non-braided connector, for example. Further, in certain embodiments, when cut and/or severed, a braided connector can have substantially less compressive strength than a non-braided connector, for example.

**[0204]** Still referring primarily to FIG. 81, the distal connector 5080 can hold the layer of material 5058 relative to the cartridge body 5050. The layer of material 5058 can be released from the cartridge body 5050 when the distal connector 5080, as well as any additional connectors, are broken, cut, dislodged or otherwise overcome. In certain embodiments, the firing assembly 5030 can overcome the distal connector 5080 as the

firing assembly 5030 translates along the slot 5056 in the fastener cartridge 5050 during a firing stroke. For example, during the firing stroke, the firing assembly 5030 can cut tissue clamped between the first jaw and the second jaw 5002, and can also move the fasteners from the fastener cavities 5054 into the clamped tissue and the layer of material 5058. In various embodiments, the firing assembly 5030 can push the sled distally during the firing stroke. The sled can have a camming surface or ramp, for example, which can engage drivers in the fastener cavities 5054. When the ramp engages a driver, the ramp can push the driver toward the layer of material 5058 to eject the fastener from the fastener cavity 5054. Further, the firing assembly 5030 can cut the layer of material 5058 and/or the distal connector 5080 during the firing stroke.

**[0205]** Referring still to FIGS. 81-84, in various embodiments, the second jaw 5002 can overcome the connector or connectors, such as or including the distal connector 5080, at or near the beginning of the firing stroke. In other words, an element of the second jaw 5002 can overcome the distal connector 5080 at or near the beginning of the firing stroke. The second jaw 5002 and/or the fastener cartridge assembly can include an actuator 5010, for example, which can overcome the distal connector 5080 before the fasteners are ejected from the fastener cavities 5054. The actuator 5010 can overcome the distal connector 5080, and the layer of material 5058 can be released from the cartridge body 5050 even when the firing stroke terminates prematurely, *i.e.*, before the firing assembly 5030 reaches the distal portion 5006 of the second jaw 5002, for example. In various embodiments, the actuator 5010 can include a bottom side 5016, sidewalls 5018, and/or rims 5026. The sidewalls 5018 can extend from the bottom side 5016 and around at least a portion of the cartridge body 5050. The rims

5026 can extend from the sidewalls 5018 and around at least a portion of the cartridge body 5050. In various embodiments, the rims 5026 can extend into slits 5052 in the cartridge body 5050, for example. The bottom side 5016, the sidewalls 5018, and/or the rims 5026 can extend past and/or around the cartridge body 5050 and the fasteners positioned in the fastener cavities 5054 thereof. Further, the actuator 5010 can be moveably held relative to the cartridge body 5050. For example, the actuator 5010 can move from a pre-actuated position (FIG. 81) to an actuated position (FIG. 82). In certain embodiments, the rims 5026 of the actuator 5010 can slide in the slits 5052 in the cartridge body 5050 when the actuator 5010 moves relative to the cartridge body 5050. When the actuator 5010 moves relative to the cartridge body 5050, the actuator 5010 can slide relative to the fasteners positioned in the fastener cavities 5054 of the cartridge body 5050. For example, the actuator 5010 can slide past and/or around the fasteners positioned in the cartridge body 5050.

**[0206]** Referring primarily to FIGS. 81-84, the actuator 5010 can include a slot 5012, which can extend from the proximal portion 5004 toward the distal portion 5006 of the second jaw 5002 when the actuator 5010 is positioned relative to the cartridge body 5050. The slot 5012 in the actuator 5010 can correspond to and/or be aligned with the slot 5056 (FIG. 81) in the cartridge body 5050, for example. Further, the firing assembly 5030 can translate within the slot 5012 in the actuator 5010 as the firing assembly 5030 translates within the slot 5056 in the cartridge body 5050 during the firing stroke. In various embodiments, the firing assembly 5030 can engage the actuator 5010 to move the actuator 5010 distally when the firing assembly 5030 is at or near the beginning of the firing stroke. In such embodiments, the firing assembly 5030 can actuate the

actuator 5010 at the proximal portion 5004 of the second jaw 5002. When the actuator 5010 is actuated and moves distally, a distal end of the actuator 5010 can cut or otherwise overcome the distal connector 5080, for example. In other words, the proximal actuation of the actuator 5010 can effectuate the distal release of the layer of material 5058 from the cartridge body 5050. In various embodiments, the actuator 5010 can merely shift distally to overcome the distal connector 5080. In at least one embodiment, the actuator 5010 can shift approximately 1.0 mm before overcoming the distal connector 5080. In certain embodiments, the actuator 5010 can shift approximately 0.5 mm to approximately 5.0 mm before overcoming the distal connector 5080.

**[0207]** Referring primarily to FIGS. 81 and 82, the actuator 5010 can move from the pre-actuated position (FIG. 81) to the actuated position (FIG. 82) when the firing assembly 5030 moves between an unfired position and a partially fired position during part of the firing stroke. In various embodiments, the slot 5012 in the actuator 5010 can include a release stop 5014. The release stop 5014 can include a frangible bridge across the slot 5012, for example. Referring primarily to FIG. 82, an element of the firing assembly 5030 can push against the release stop 5014 as the firing assembly 5030 translates along the slot 5056 (FIG. 81) during the firing stroke. The firing assembly 5030 can push against the release stop 5014 at or near the beginning of the firing stroke, for example. In certain embodiments, the release stop 5014 can be near the proximal end of the slot 5012, and an element of the firing assembly 5030, such as the nose 5040, can abut the release stop 5014 upon the initiation of the firing stroke. When the nose 5040 is positioned against the release stop 5014, the nose 5040 can

push against the actuator 5010 and move the actuator 5010 distally. In certain embodiments, referring primarily to FIG. 82, the actuator 5010 can be moved distally until it reaches a hard stop 5060, for example. The hard stop 5060 can be at the distal portion 5006 of the second jaw 5002, and can prevent further distal movement of the actuator 5010, for example. In various embodiments, the actuator 5010 can abut the hard stop 5060 before the firing assembly 5030 ejects the fasteners from the fastener cavities 5054. In certain embodiments, the actuator can abut the hard stop 5060 as the firing assembly 5030 ejects at least one fastener from a fastener cavity 5054 and/or after the firing assembly 5030 ejects at least one fastener from a fastener cavity 5054.

**[0208]** Referring still to FIG. 82, when the actuator 5010 is pushed distally by the firing assembly 5030, the actuator 5010 can cut or otherwise overcome the distal connector 5080 to release the layer of material 5058 from the cartridge body 5050 at the distal portion 5006 of the second jaw 5002. In certain embodiments, the actuator 5010 can include a notch 5024 for receiving and holding the distal connector 5080. The notch 5024 can hold the distal connector 5080 as the actuator 5010 shifts distally toward the hard stop 5060. Further, the actuator 5010 can include a cutting edge 5020, for example, along a portion of the notch 5024. In certain embodiments, when the actuator 5010 moves toward the hard stop 5060, the distal connector 5080 can be pushed between the hard stop 5060 and the cutting edge 5020 of the actuator 5010. In various embodiments, the cutting edge 5020 can cut the distal connector 5080 when the cutting edge 5020 is pushed into the hard stop 5060. In such embodiments, the distal connector 5080 can be cut by the cutting edge 5020 of the actuator 5010 at or near the beginning of the firing stroke and before the fasteners are fired from the fastener



cavities 5054. In various embodiments, the actuator 5010 can overcome the distal connector 5080 without cutting it. For example, the actuator 5010 can dislodge or stretch the distal connector 5080 out of position such that the distal connector 5080 no longer holds the layer of material 5058 relative to the cartridge body 5050. In various embodiments, distal movement of the actuator 5010 can overcome or unlock a restraint, such as a cam-lock, that locks and/or tightens the distal connector 5080 around the layer of material 5058. For example, referring to FIG. 30, a restraint 694 can be positioned in the lower jaw 680 and, for example, can be positioned between the pan 680a and the cartridge body 682. In various embodiments, the restraint 694 can be used when assembling the end effector, and the connector S3 can be connected thereto. When the restraint 694 is pushed and secured in place, the restraint 694 can tighten the connector S3 around the layer B2, and can be adjustably positioned to adjust the tightness of the connector S3 around the layer B2. In various embodiments, referring again to FIG. 82, the actuator 5010 can unlock a restraint, such as restraint 694 (FIG. 30), for example. The actuator 5010 can cam the restraint, such that the restraint loosens and/or releases the distal connector 5080.

**[0209]** In various embodiments, additional connectors along the length of the cartridge body 5050 can be cut or otherwise overcome by the actuator 5010 at or near the beginning of the firing stroke. For example, a proximal cutting edge on the actuator 5010 can cut an additional proximal connector, and/or an intermediate cutting edge on the actuator 5010 can cut an additional intermediate connector. The various cutting edges and/or portions of the actuator 5010 can cut or otherwise overcome each of the connectors at and/or near the beginning of the firing stroke. Additionally or alternatively,

the cutting edge 5036 of the firing assembly 5030 can cut or otherwise overcome the additional connectors. For example, the cutting edge 5036 of the firing assembly 5030 can cut a connector at the proximal portion 5004 of the second jaw 5002 and the cutting edge 5020 of the actuator 5010 can cut the distal connector 5080 before the fasteners are ejected from the fastener cavities 5054 of the cartridge body 5050. In certain embodiments, the actuator 5010 can over the distal connector 5080 as at least one fastener is ejected from a fastener cavity 5054 and/or after at least one fastener is ejected from a fastener cavity 5054.

**[0210]** Referring primarily to FIGS. 83 and 84, when the actuator 5010 is blocked from further distal movement by the hard stop 5060, the firing assembly 5030 can push through the release stop 5014 in the slot 5012 of the actuator 5010. For example, the nose 5040 of the firing assembly 5030 can break the frangible bridge of the release stop 5014 to continue moving distally along the slot 5012 during the firing stroke. The frangible bridge can be sufficiently rigid to withstand the force of the firing assembly 5030 as the actuator 5010 shifts distally toward the hard stop 5060, and can be sufficiently frangible to break when the actuator 5010 reaches the hard stop 5060 without requiring excessive force by a motor and/or an operator. The actuator 5010 and/or the frangible bridge thereof can comprise stainless steel, titanium, aluminum, liquid crystal polymer (LCP), nylon and/or ultem, for example. In certain embodiments, the actuator 5010 can comprise stainless steel and the frangible bridge can comprise a thin piece of stainless steel. In certain embodiments, the frangible bridge can include a perforation, which can increase the frangibility thereof. The size and shape of the perforation can be selected such that the frangible bridge is appropriately breakable. In

various embodiments, the actuator 5010 can overcome the distal connector 5080 before a fastener is fired from the fastener cartridge 5050. In certain embodiments, at least one fastener can be fired from a fastener cavity before or while the actuator 5010 overcomes the distal connector 5080. Upon breaking through the release stop 5014, the firing assembly 5030 can continue to move distally along the slot 5056 (FIG. 81) in the cartridge body 5050 and along the slot 5012 in the actuator 5010 to eject fasteners from the fastener cartridge 5050 during the remaining portion of the firing stroke. Stated differently, the firing assembly 5030 can actuate the actuator during a first stage or portion of the firing stroke, and can fire fasteners from the fastener cavities 5054 and/or cut tissue and/or the layer of material 5058 during a second stage or portion of the firing stroke.

**[0211]** Referring now to FIGS. 85 and 86, an end effector assembly can include a first jaw 5102 and a second jaw, illustrated elsewhere. In various embodiments, the first jaw 5102 can include an anvil frame 5170 and a layer of material releasably secured to the anvil frame 5170. The layer of material can comprise a tissue thickness compensator and/or a piece of buttress material, for example, similar to the layer of material 5058 (FIGS. 81-84). For example, the layer of material can be a piece of buttress material releasably secured to the anvil frame 5170. In certain embodiments, the anvil frame 5170 can include a slot 5172, which can extend from a proximal portion 5104 of the first jaw 5102 toward a distal portion 5106 of the first jaw 5102. In various embodiments, a firing assembly 5130 can translate along the slot 5172 of the anvil frame 5170. For example, the firing assembly 5130 can translate along the slot 5172 during a firing stroke. The translation of the firing assembly 5130 along the slot 5172 can correspond

to the translation of a firing element through the second jaw of the end effector assembly. As the firing element translates through the second jaw, for example, the firing element can eject fasteners from the second jaw into the layer of material and the tissue clamped between the first jaw 5102 and the second jaw. Referring primarily to FIG. 85, the firing assembly 5130 can include a firing bar 5132 and a nose 5136. In various embodiments, the nose 5136 of the firing assembly 5130 can include a cutting edge for cutting tissue and the layer of material clamped between the first jaw 5102 and the second jaw.

**[0212]** Referring primarily to FIG. 85, the layer of material can be releasably secured to the anvil frame 5170 by at least one connector. In certain embodiments, multiple connectors can secure the layer of material to the anvil frame 5170. For example, a proximal connector can secure the layer of material to the anvil frame 5170 at the proximal portion 5104 of the first jaw 5102, and a distal connector 5180 can secure the layer of material to the anvil frame 5170 at the distal portion 5106 of the first jaw 5102. In certain embodiments, additional connectors can secure the layer of material to the anvil frame 5170. In such embodiments, the additional connectors can be spaced along at least a portion of the length of the anvil frame 5170, and can be positioned between the proximal connector and the distal connector 5180, for example.

**[0213]** Still referring primarily to FIG. 85, the distal connector 5180 can hold the layer of material relative to the anvil frame 5170. The layer of material can be released from the anvil frame 5170 when the distal connector 5180 and any additional connectors are broken, cut, dislodged or otherwise overcome. In certain embodiments, the firing assembly 5130 can overcome the distal connector 5180 as the firing assembly 5130

translates along the slot 5172 in the anvil frame 5170 during a firing stroke. In various embodiments, an element of the first jaw 5102 can overcome the connector or connectors, such as or including distal connector 5180, at or near the beginning of the firing stroke. In other words, the first jaw 5102 can overcome the distal connector 5180 at or near the beginning of the firing stroke and before a fastener is ejected into the clamped tissue. In various embodiments, the first jaw 5102 can include an actuator 5110, for example, which can overcome the distal connector 5080 at or near the beginning of the firing stroke. The actuator 5110 can overcome the distal connector 5180, and the layer of material 5158 can be released from the anvil frame 5170 even when the firing stroke terminates prematurely, *i.e.*, before the firing assembly 5130 reaches the distal portion 5106 of the first jaw 5102, for example. In various embodiments, the actuator 5110 can comprise a longitudinal plate that extends along a length of the anvil frame 5170. In certain embodiments, the plate can include a longitudinal portion on one side of the anvil slot 5172, another longitudinal portion on another side of the anvil slot 5172, and a distal bridge 5174 extending between the longitudinal portions to reinforce the distal end of the actuator 5110. The actuator 5110 can extend through the first jaw 5102, and can be positioned between a fastener forming surface and an outer surface of the first jaw 5102, for example. Further, the actuator 5110 can be moveably held relative to the anvil frame 5170. For example, the actuator 5110 can move from a pre-actuated position (FIG. 85) to an actuated position (FIG. 86).

**[0214]** Referring primarily to FIG. 85, the actuator 5110 can include a slot 5112, which can extend from the proximal portion 5104 toward the distal portion 5106 of the first jaw

5102 when the actuator 5110 is positioned relative to the anvil frame 5170. The slot 5112 in the actuator 5110 can correspond to and/or be aligned with the slot 5172 in the anvil frame 5170, for example. Further, the firing assembly 5130 can translate along the slot 5112 in the actuator 5110 as the firing assembly 5130 translates along the slot 5172 in the anvil frame 5170 during the firing stroke. In various embodiments, the firing assembly 5130 can engage the actuator 5110 to move the actuator 5110 distally when the firing assembly 5130 is at or near the beginning of the firing stroke. In such embodiments, the firing assembly 5130 can actuate the actuator 5110 at the proximal portion 5104 of the first jaw 5102. When the actuator 5110 is actuated and moves distally, a distal end of the actuator 5110 can cut or otherwise overcome the distal connector 5180, for example. In other words, the proximal actuation of the actuator 5110 can effectuate the distal release of the layer of material from the anvil frame 5172. In various embodiments, the actuator 5110 can merely shift distally to overcome the distal connector 5180. In at least one embodiment, the actuator 5110 can shift approximately 1.0 mm before overcoming the distal connector 5180. In certain embodiments, the actuator 5110 can shift approximately 0.5 mm to approximately 5.0 mm before overcoming the distal connector 5180.

**[0215]** Referring still to FIGS. 85 and 86, the actuator 5110 can move from the pre-actuated position (FIG. 85) to the actuated position (FIG. 86) when the firing assembly 5130 moves between an unfired position and a partially fired position during part of the firing stroke. In various embodiments, the slot 5112 in the actuator 5110 can include a release stop 5114. The release stop 5114 can have a narrower width than the portions of the slot 5112 adjacent to the release stop 5114, for example. Referring primarily to

FIG. 85, an element of the firing assembly 5130 can push against the release stop 5114 as the firing assembly 5130 translates along the slot 5172 during the firing stroke. The firing assembly 5130 can push against the release stop 5114 at or near the beginning of the firing stroke, for example. In certain embodiments, the release stop 5114 can be near the proximal end of the slot 5112, and an element of the firing assembly 5130, such as the nose 5136, can abut the release stop 5114 upon the initiation of the firing stroke. When the nose 5136 is positioned against the release stop 5114, the nose 5136 can push against the actuator 5110 and move the actuator 5110 distally. In certain embodiments, the actuator 5110 can move distally until it reaches a hard stop 5160, for example. The hard stop 5160 can be at the distal portion 5106 of the first jaw 5102 and/or the anvil frame 5170, and can prevent further distal movement of the actuator 5110, for example.

**[0216]** Referring primarily to FIG. 86, when the actuator 5110 is pushed distally by the firing assembly 5130, the actuator 5110 can cut or otherwise overcome the distal connector 5180 to release the layer of material from the anvil frame 5172 at the distal portion 5106 of the first jaw 5102. In certain embodiments, the actuator 5110 can include a notch 5124 for receiving and holding the distal connector 5180. The notch 5124 can hold the distal connector 5180 as the actuator 5110 shifts distally toward the hard stop 5160. Further, the actuator 5110 can include a cutting edge 5120, for example, along the notch 5124. In certain embodiments, when the actuator 5110 moves toward the hard stop 5160, the distal connector 5180 can be pushed between the hard stop 5160 and the cutting edge 5120 of the actuator 5110. In various embodiments, the cutting edge 5120 can cut the distal connector 5180 when the cutting

edge 5120 is pushed into the hard stop 5160. In such embodiments, the distal connector 5080 can be cut by the cutting edge 5120 of the actuator 5110 at or near the beginning of the firing stroke. In various embodiments, the actuator 5110 can overcome the distal connector 5180 without cutting it. For example, the actuator 5110 can dislodge or stretch the distal connector 5180 out of position such that the distal connector 5180 no longer holds the layer of material relative to the anvil frame 5170.

**[0217]** In various embodiments, additional connectors along the length of the anvil frame 5170 can be cut or otherwise overcome by the actuator 5110 at or near the beginning of the firing stroke. For example, a proximal cutting edge on the actuator 5110 can cut an additional proximal connector and/or an intermediate cutting edge on the actuator 5110 can cut an additional intermediate connector. The various cutting edges and/or portions of the actuator 5110 can cut or otherwise overcome each of the connectors at and/or near the beginning of the firing stroke. Additionally or alternatively, a cutting edge of the firing assembly 5130 can cut or otherwise overcome the additional connectors. For example, the firing assembly cutting edge can cut a connector at the proximal portion 5104 of the first jaw 5102 and the cutting edge 5120 of the actuator 5110 can cut the distal connector 5180 before the fasteners are ejected from the cartridge body of the second jaw. In certain embodiments, the actuator 5110 can overcome the distal connector 5180 as at least one fastener is ejected from a fastener cavity and/or after at least one fastener has been ejected from a fastener cavity. When the actuator 5110 is blocked from further distal movement by the hard stop 5160, the firing assembly 5130 can push through the release stop 5114 in the slot 5112 of the actuator 5110. When the firing assembly 5130 pushes through the release stop 5114,



the firing assembly 5130 can widen the width of the slot 5112 to permit passage of the firing assembly 5130 therethrough. For example, the nose 5136 of the firing assembly 5130 can widen the release stop 5114 such that the firing bar 5132 can extend through the release stop 5114 and translate along the slot 5112. In various embodiments, the release stop 5114 can be sufficiently rigid to withstand the force of the firing assembly 5130 as the actuator 5110 shifts distally toward the hard stop 5160, and can be sufficiently flexible to widen when the actuator 5110 reaches the hard stop 5160 without requiring excessive force by a motor and/or an operator. The actuator 5110 and/or the release stop 5114 thereof can comprise stainless steel, titanium, aluminum, liquid crystal polymer (LCP), nylon and/or ultem, for example. In various embodiments, the actuator 5110 can overcome the distal connector 5180 before a fastener is fired from the fastener cartridge of the second jaw. In certain embodiments, the distal connector 5180 can be overcome after and/or while at least one fastener is ejected from a fastener cavity. Upon extending through the release stop 5114, the firing assembly 5130 can continue to move distally along the slot 5172 in the anvil frame 5172 and along the slot 5112 in the actuator 5110.

**[0218]** In various embodiments, an actuator can shift proximally when actuated by the firing assembly. The proximally-shifting actuator can overcome a proximal connector, for example. In certain embodiments, a first piece of an actuator can shift distally when actuated and a second piece of the actuator can shift proximally when actuated. The first and second pieces of the actuator can simultaneously overcome the connectors. For example, the first piece of the actuator can overcome a proximal connector as the second piece of the actuator overcomes the distal connector.

**[0219]** In various embodiments, an end effector assembly can include a first jaw and a second jaw. In certain embodiments, a layer of material can be releasably secured to the first jaw and another layer of material can be releasably secured to the second jaw. For example, a first layer of material can be releasably secured to a first jaw and/or an anvil frame, and a second layer of material can be releasably secured to a second jaw and/or a fastener cartridge assembly. In certain embodiments, an actuator, such as actuator 5010, for example, can release the first layer of material from the first jaw, and a second actuator, such as actuator 5110, for example, can release the second layer of material from the second jaw. The release of the first layer of material by the first actuator and the second layer of material by the second actuator can be timed. For example, the actuators can be arranged and/or configured such that the first and second layers of material can be released from the end effector assembly simultaneously and/or consecutively.

**[0220]** Referring generally to FIGS. 87-90, an end effector of a surgical stapling instrument can comprise a first jaw and a second jaw, wherein at least one of the first jaw and the second jaw can be configured to be moved relative to the other. The end effector can comprise a first jaw including a staple cartridge channel and a second jaw including an anvil such as, for example, anvil 2030 (FIG. 88A) which may include a plurality of forming pockets 2032 (FIG. 88A), wherein the anvil 2030 can be pivoted toward and/or away from the staple cartridge channel. The staple cartridge channel can be configured to receive a staple cartridge 2010 (FIG. 87) which can be removably retained within the staple cartridge channel. Tissue T can be captured between anvil

2030 and staple cartridge 2010, for example, when anvil 2030 is pivoted toward the staple cartridge channel.

**[0221]** Referring primarily to FIG. 87, a staple cartridge assembly such as, for example, staple cartridge assembly 2000 can comprise a tissue thickness compensator, such as tissue thickness compensator 2020 and a staple cartridge, such as staple cartridge 2010, for example, which may comprise a cartridge body 2012 and a multistep cartridge deck 2014. As illustrated in FIG. 87, cartridge deck 2014 may comprise a slot 2016 extending longitudinally therethrough, wherein the slot 2016 can be configured to receive a cutting member which can be slidably moved through slot 2016.

**[0222]** Further to the above, as illustrated in FIG. 87, cartridge deck 2014 may comprise a plurality of surfaces 2018a-c extending longitudinally along slot 2016, wherein surface 2018a may lie closer to slot 2016 than surface 2018b which may lie closer to slot 2016 than surface 2018c. For example, surface 2018b may be laterally offset from surface 2018a in a direction away from slot 2016 and surface 2018c may be laterally offset from surface 2018b also in a direction away from slot 2016. In addition, surfaces 2018a-c can be vertically offset from each other. For example, surfaces 2018a-c may each lie, or at least substantially lie, in a separate plane wherein the planes of surfaces 2018a-c can be vertically offset from each other.

**[0223]** Further to the above, referring again to FIGS. 87-88B, the cartridge 2010 can comprise a plurality of staple cavities 2022 within cartridge body 2012, wherein cavities 2022 may comprise openings in surfaces 2018a-c of cartridge deck 2014. A staple can be positioned within each staple cavity 2022. For example, staples 2024a-c can be positioned within cavities 2022 and can be supported by staple drivers 2026a-c within

cartridge body 2012. A sled and/or firing member, for example, can be advanced through the staple cartridge 2010 to lift the staple drivers 2026a-c upwardly within the staple cavities 2022 and eject the staples 2024a-c from cavities 2022 through the openings in the surfaces 2018a-c, respectively. The staples 2024a-c may be formed by advancing the staples 2024a-c against corresponding forming pockets 2032 defined in the anvil 2030 while the anvil 2030 is in the closed position.

**[0224]** As illustrated in FIG. 88A, drivers 2026a-c can be positioned at different unfired distances from corresponding forming pockets 2032 defined in the anvil 2030 when anvil 2030 is in a closed position. For example, as illustrated in FIG. 88A, drivers 2026a can be positioned a first unfired distance from their corresponding forming pockets 2032, drivers 2026b can be positioned a second unfired distance from their corresponding forming pockets 2032, and drivers 2026c can be positioned a third unfired distance from their corresponding forming pockets 2032, wherein the first distance may be shorter than the second distance, and wherein the second distance may be shorter than the third distance, for example. Referring now to FIG. 88B, the staple drivers 2026a can drive the staples 2024a supported thereon to a first formed height 2021a, staple drivers 2026b can drive the staples 2024b supported thereon to a second formed height 2021b, and staple drivers 2026c can drive the staples 2024c supported thereon to a third formed height 2021c, wherein the first formed height 2021a may be shorter than the second formed height 2021b and the second formed height 2021b may be shorter than the third formed height 2021c, for example. Staples 2024a-c can comprise the same, or substantially the same, unformed or unfired height. Alternatively, the drivers 2026a-c can support staples having different unformed heights.

In addition, as illustrated in FIG. 88A, the tips of the unformed staples 2024a-c can lie, or at least substantially lie, in different planes in their unfired positions. Alternatively, staple cartridge 2010 may include unformed staples comprising staple tips that may lie, or at least substantially lie, in a single plane. Other embodiments are envisioned in which the staples 2024a-c can be formed to any suitable formed heights and/or any relative formed heights.

**[0225]** Referring again to FIGS. 87-88B, the tissue thickness compensator 2020 may include a plurality of portions, such as portions 2020a-c (See FIG. 87) which can be captured by staples 2024a-c, respectively. Portions 2020a-c, as illustrated in FIG 88A, can be laterally offset from each other. For example, portions 2020b can be laterally offset from portions 2020a in a direction away from slot 2016 and portions 2020c can be laterally offset from portions 2020b also in a direction away from slot 2016. Furthermore, Portions 2020a-c, as illustrated in FIG 88A, may include deck contacting surfaces 2036a-c, wherein compensator 2020 can be positioned against cartridge deck 2014 such that deck contacting surfaces 2036a-c may be removably positioned against or adjacent surfaces 2018a-c of deck 2014, respectively. Similar to surfaces 2018a-c, the deck contacting surfaces 2036a-c can be vertically offset from each other. For example, as illustrated in FIG. 88A, surfaces 2036a-c may each lie, or at least substantially lie, in a separate plane, wherein the planes of surfaces 2036a-c can be vertically offset from each other. In other words, surface 2036a may lie in a first plane, surface 2036b may lie in a second plane, and surface 2036c may lie in a third plane, wherein the first plane is closer than the second plane to a datum and the second plane is closer than the third plane to a datum such as, for example, datum 2031 at anvil 2030. As illustrated in FIG.

88A, datum 2031 may comprise a plane that passes through anvil 2030 when anvil 2030 is in the closed position, wherein datum 2031 may be parallel, or substantially parallel, to surfaces 2036a-c.

**[0226]** Further to the above, as illustrated in FIG. 88A, the distance between the planes of surfaces 2036a and 2036b can be the same, or at least substantially the same as the distance between the planes of surfaces 2036b and 2036c. Alternatively, the distance between the planes of surfaces 2036a and 2036b can be different from the distance between the planes of surfaces 2036b and 2036c. For example, the distance between the planes of surfaces 2036a and 2036b can be smaller than the distance between the planes of surfaces 2036b and 2036c.

**[0227]** Referring again to FIGS. 87-88B, portions 2020a-c may comprise tissue contacting surfaces 2034a-c which can be positioned against or adjacent tissue T. Similar to surfaces 2018a-c, as illustrated in FIG. 88A, the tissue contacting surfaces 2034a-c may be vertically offset from each other. For example, as illustrated in FIG. 88A, surfaces 2034a-c may each lie, or at least substantially lie, in a separate plane, wherein the planes of surfaces 2034a-c can be vertically offset from each other. In other words, surface 2034a may lie in a first plane, surface 2034b may lie in a second plane, and surface 2034c may lie in a third plane, wherein the first plane is closer than the second plane to a datum and the second plane is closer than the third plane to datum 2031, wherein datum 2031 may be parallel, or substantially parallel, to surfaces 2036a-c.

**[0228]** Further to the above, the distance between the planes of surfaces 2034a and 2034b can be the same, or at least substantially the same as the distance between the

planes of surfaces 2034b and 2034c. Alternatively, the distance between the planes of surfaces 2034a and 2034b can be different from the distance between the planes of surfaces 2034b and 2034c. For example, the distance between the planes of surfaces 2034a and 2034b can be smaller than the distance between the planes of surfaces 2034b and 2034c.

**[0229]** Referring to FIGS. 88-90, portions 2020a-c of compensator 2020 may comprise a uniform, or substantially uniform uncompressed thickness. For example, as illustrated in the cross-sectional view in FIG. 88, portions 2020a may comprise a first uncompressed thickness between surfaces 2034a and surfaces 2036a and portions 2020b may comprise a second uncompressed thickness between surfaces 2034b and surfaces 2036b, wherein the first uncompressed thickness can be the same or substantially the same as the second uncompressed thickness. In addition, portions 2020c can comprise a third uncompressed thickness between surfaces 2034c and 2036c, wherein the third uncompressed thickness can be the same, or substantially the same as the first uncompressed thickness and/or the second uncompressed thickness.

**[0230]** Alternatively, compensator 2020 may comprise portions having different uncompressed thicknesses, wherein all or some of portions 2020a-c may comprise different uncompressed thicknesses. For example, as illustrated in FIG. 89, the third uncompressed thickness of portions 2020c may be greater than the second uncompressed thickness of portions 2020a while the first uncompressed thickness of portions 2020a may comprise the same, or substantially the same, uncompressed thickness as the second uncompressed thickness of portions 2020b. Under certain circumstances, the second uncompressed thickness can be greater than the first

uncompressed thickness and the third uncompressed thickness can be greater than the second uncompressed thickness thereby forming a thickness gradient. Accordingly, compensator 2020 may comprise a thickness gradient, wherein the uncompressed thickness of certain portions of compensator 2020 may depend on the relative position of these portions. For example, compensator 2020 may comprise central portions having a minimum uncompressed thickness, peripheral portions having a maximum uncompressed thickness, and intermediate portions having a medium uncompressed thickness. Alternatively, the central portions may comprise a maximum uncompressed thickness and the peripheral portions may comprise a minimum uncompressed thickness. The reader will appreciate that the thickness of portions 2020a-c and their relative positions within the compensator 2020 can be configured to provide a desired thickness compensation for the tissue T within the formed staples 2024a-c.

**[0231]** Further to the above, as illustrated in FIG. 88B, formed staples 2024a-c may capture tissue T and/or compensator 2020, wherein captured tissue T and captured compensator 2020 may compete for space within formed staples 2024a-c. Accordingly, tissue T and/or compensator 2020 can be compressed under compression forces applied thereto by formed staples 2024a-c which may depend, at least in part, on the formed heights of the staples 2024a-c, compressibility of tissue T, compressibility of compensator 2020, tissue T thickness, and/or compensator 2020 thickness.

Accordingly, some or all of these parameters can be manipulated to yield a desired compression in the tissue T within the formed staples 2024a-c.

**[0232]** Further to the above, the compressibility of the tissue T may depend, at least in part, on the modulus of elasticity of the tissue T and the compressibility of compensator



2020 may depend, at least in part, on the modulus of elasticity of compensator 2020, wherein a greater modulus of elasticity may result in greater compressibility. For example, as illustrated in FIG. 88B, staples 2024a may capture corresponding portions 2020a of compensator 2020 and corresponding tissue T which may result in a competition for space between the portions 2020a and corresponding tissue T within the formed staples 2024a. In the example illustrated in FIG. 88B, the tissue T may comprise a greater modulus of elasticity than the corresponding portions 2020a. Accordingly, formed staples 2024a may compress tissue T to a greater degree than corresponding portions 2020a. Furthermore, as described above and as illustrated in FIG. 88B, the formed height 2021a of staples 2024a may be shorter than the formed height 2021b of staples 2024b and the formed height 2021b may be shorter than the formed height 2021c of staples 2024c. Accordingly, the space available within formed staples 2024a may be less than the space available within formed staples 2024b which may be less than the space available within formed staples 2024c. In result, the tissue T within formed staples 2024a may be compressed to a greater degree than the tissue T within formed staples 2024b which may be compressed to a greater degree than the tissue T within formed staples 2024c.

**[0233]** Further to the above, portions 2020a-c of compensator 2020 may comprise different moduli of elasticity which may result in different degrees of compressibility across compensator 2020. For example, portions 2020a may comprise a greater modulus of elasticity than the portions 2020b and the portions 2020b may comprise a greater modulus of elasticity than the portions 2020c. In result, a modulus of elasticity gradient may exist across the compensator 2020 wherein a central portion, for example

one of the portions 2020a, may comprise a greater modulus of elasticity than a peripheral portion, for example one of the portions 2020c. In addition, an intermediate portion, for example one of the portions 2020b, may comprise a greater modulus of elasticity than the peripheral portion and a lesser modulus of elasticity than the central portion. Accordingly, tissue T within the formed staples 2024a-c may be configured to experience a desirable compression force by manipulating the modulus of elasticity of the corresponding portions 2020a-c.

**[0234]** Referring again to FIG. 88B, as described above, the compression forces experienced by the tissue T and the compensator 2020 may depend, at least in part, on the heights 2021a-c of the formed staples 2024a-c which may determine the total space available within formed staples 2024a-c for the tissue T and the corresponding portions 2020a-c of compensator 2020 to compete therein. For example, as illustrated in FIG. 88B, the space available within formed staples 2024c may be greater than the space available within formed staples 2024b and the space available within formed staples 2024b may be greater than the space available within formed staples 2024a. In result, tissue T and corresponding portions 2020a may experience greater compression forces within staples 2024a than that experienced by tissue T and corresponding portions 2020b within formed staples 2024b. In addition, tissue T and corresponding portions 2020b may experience greater compression forces within formed staples 2024b than that experienced by tissue T and corresponding portions 2020c within formed staples 2024c. Accordingly, a tissue compression gradient can be established, wherein tissue T within formed staples 2024a may experience a greater compression than tissue T within formed staples 2024b and tissue T within staples 2024b may experience a greater

compression than tissue T within staples 2024c. Other embodiments are envisioned in which a tissue thickness compensator and formed staples can be made to induce a suitable compression through the tissue T within the formed staples.

**[0235]** Further to the above, referring to FIG. 89, a tissue thickness compensator 2020' may comprise a plurality of portions 2020'a-c. The compression forces experienced by tissue T and the compensator 2020' upon being captured by staples 2024a-c can depend, at least in part, upon the thickness of portions 2020'a-c of compensator 2020'. The portions 2020'a-c may comprise different uncompressed thicknesses. For example, as illustrated in FIG. 89, the portions 2020'c may comprise a greater uncompressed thickness than the portions 2020'a and 2020'b which may result in a greater compression in the tissue T captured by staples 2024c than the tissue T captured by staples 2024a and 2024b. Under certain circumstances, the compression forces experienced by captured tissue T and captured compensator 2020' may be directly proportional to the thickness of compensator 2020'.

**[0236]** Referring now to FIG. 90, a tissue thickness compensator composite such as, for example, composite 2060 can comprise multiple tissue thickness compensators. For example, composite 2060 may comprise tissue thickness compensator 2020 and tissue thickness compensator 2080, wherein compensator 2080 can be positioned, at least in part, adjacent or against compensator 2020. For example, compensator 2080 can be selectively positioned over certain portions of compensator 2020 to provide, for example, a desirable thickness and/or compliance. As illustrated in FIG. 90, compensator 2080 may comprise portions 2080c which can be positioned over, for example, portions 2020c of compensator 2020.

**[0237]** Further to the above, compensator 2080 and compensator 2020 can be joined together, for example, by an adhesive. Other attachment means for attaching compensator 2020 to compensator 2080 are contemplated within the scope of this disclosure. Similar to compensator 2020, the portions of compensator 2080 may comprise various thicknesses, moduli of elasticity, and/or relative spatial arrangements. Furthermore, the portions of compensator 2080 and the corresponding portions of compensator 2020 may comprise the same or different uncompressed thickness and/or moduli of elasticity. For example, portions 2080c may comprise a higher modulus of elasticity than portions 2020c to provide and may provide a compliant tissue contacting surface on a peripheral region of composite 2080.

**[0238]** Further to the above, compensator 2020 and/or compensator 2080 may be comprised of biocompatible materials. In addition, compensator 2020 and/or compensator 2080 may be comprised of biodegradable materials such as, for example, PGA, PCL, PLLA, and/or combinations thereof, for example. Compensator 2020 and compensator 2080 may be comprised of the same material or different materials to yield a desired localized compressibility across composite 2080.

**[0239]** As described herein, a tissue thickness compensator can compensate for variations in the thickness of tissue that is captured within the staples ejected from a staple cartridge and/or contained within a staple line, for example. Stated another way, certain staples within a staple line can capture thick portions of the tissue while other staples within the staple line can capture thin portions of the tissue. In such circumstances, the tissue thickness compensator can assume different heights or thicknesses within the staples and apply a compressive force to the tissue captured

within the staples regardless of whether the captured tissue is thick or thin. In various embodiments, a tissue thickness compensator can compensate for variations in the hardness of the tissue. For instance, certain staples within a staple line can capture highly compressible portions of the tissue while other staples within the staple line can capture portions of the tissue which are less compressible. In such circumstances, the tissue thickness compensator can be configured to assume a smaller height within the staples that have captured tissue having a lower compressibility, or higher hardness, and, correspondingly, a larger height within the staples that have captured tissue having a higher compressibility, or lower hardness, for example. In any event, a tissue thickness compensator, regardless of whether it compensates for variations in tissue thickness and/or variations in tissue hardness, for example, can be referred to as a 'tissue compensator' and/or as a 'compensator', for example.

**[0240]** The devices disclosed herein can be designed to be disposed of after a single use, or they can be designed to be used multiple times. In either case, however, the device can be reconditioned for reuse after at least one use. Reconditioning can include any combination of the steps of disassembly of the device, followed by cleaning or replacement of particular pieces, and subsequent reassembly. In particular, the device can be disassembled, and any number of the particular pieces or parts of the device can be selectively replaced or removed in any combination. Upon cleaning and/or replacement of particular parts, the device can be reassembled for subsequent use either at a reconditioning facility, or by a surgical team immediately prior to a surgical procedure. Those skilled in the art will appreciate that reconditioning of a

device can utilize a variety of techniques for disassembly, cleaning/replacement, and reassembly. Use of such techniques, and the resulting reconditioned device, are all within the scope of the present application.

**[0241]** Preferably, the invention described herein will be processed before surgery. First, a new or used instrument is obtained and if necessary cleaned. The instrument can then be sterilized. In one sterilization technique, the instrument is placed in a closed and sealed container, such as a plastic or TYVEK bag. The container and instrument are then placed in a field of radiation that can penetrate the container, such as gamma radiation, x-rays, or high-energy electrons. The radiation kills bacteria on the instrument and in the container. The sterilized instrument can then be stored in the sterile container. The sealed container keeps the instrument sterile until it is opened in the medical facility.

**[0242]** Various embodiments described herein are described in the context of staples removably stored within staple cartridges for use with surgical stapling instruments. In some circumstances, staples can include wires which are deformed when they contact an anvil of the surgical stapler. Such wires can be comprised of metal, such as stainless steel, for example, and/or any other suitable material. Such embodiments, and the teachings thereof, can be applied to embodiments which include fasteners removably stored with fastener cartridges for use with any suitable fastening instrument.

**[0243]** Various embodiments described herein are described in the context of tissue thickness compensators attached to, and/or for use with, staple cartridges and/or fastener cartridges. Such tissue thickness compensators can be utilized to compensate for variations in tissue thickness from one end of a staple cartridge to another, or for

variations in tissue thickness captured within one staple, or fastener, as compared to another. Such tissue thickness compensators can also be utilized to compensate for variations in tissue thickness from one side of a staple cartridge to another. Such embodiments, and the teachings thereof, can be applied to embodiments which include a layer, or layers, of material attached to, and/or for use with, staple cartridges and/or fastener cartridges. A layer can include buttress material.

**[0244]** Various embodiments described herein are described in the context of linear end effectors and/or linear fastener cartridges. Such embodiments, and the teachings thereof, can be applied to non-linear end effectors and/or non-linear fastener cartridges, such as, for example, circular and/or contoured end effectors. For example, various end effectors, including non-linear end effectors, are disclosed in U.S. Patent Application Ser. No. 13/036,647, filed February 28, 2011, entitled SURGICAL STAPLING INSTRUMENT, now U.S. Patent Application Publication No. 2011/0226837, which is hereby incorporated by reference in its entirety. Additionally, U.S. Patent Application Ser. No. 12/893,461, filed September 29, 2012, entitled STAPLE CARTRIDGE, now U.S. Patent Application Publication No. 2012/0074198, is hereby incorporated by reference in its entirety. U.S. Patent Application Ser. No. 12/031,873, filed February 15, 2008, entitled END EFFECTORS FOR A SURGICAL CUTTING AND STAPLING INSTRUMENT, now U.S. Patent No. 7,980,443, is also hereby incorporated by reference in its entirety.

**[0245]** Any patent, publication, or other disclosure material, in whole or in part, that is said to be incorporated by reference herein is incorporated herein only to the extent that the incorporated materials does not conflict with existing definitions, statements, or

other disclosure material set forth in this disclosure. As such, and to the extent necessary, the disclosure as explicitly set forth herein supersedes any conflicting material incorporated herein by reference. Any material, or portion thereof, that is said to be incorporated by reference herein, but which conflicts with existing definitions, statements, or other disclosure material set forth herein will only be incorporated to the extent that no conflict arises between that incorporated material and the existing disclosure material.

**[0246]** While this invention has been described as having exemplary designs, the present invention may be further modified within the spirit and scope of the disclosure. This application is therefore intended to cover any variations, uses, or adaptations of the invention using its general principles. Further, this application is intended to cover such departures from the present disclosure as come within known or customary practice in the art to which this invention pertains.



## WHAT IS CLAIMED IS:

1. An end effector assembly for use with a surgical instrument, the end effector assembly comprising:

an anvil;

a fastener cartridge comprising a plurality of fastener cavities;

a plurality of fasteners, wherein each said fastener is removably positioned in a said fastener cavity;

a piece of buttress material releasably secured intermediate said anvil and said fastener cartridge;

a connector, wherein said connector secures said piece of buttress material intermediate said anvil and said fastener cartridge at a location, and wherein the location is distal to at least one said fastener cavity; and

an actuator configured to overcome said connector when actuated, wherein said actuator overcomes said connector prior to the removal of said fasteners from said fastener cavities.

2. The end effector assembly of Claim 1, wherein said actuator breaks said connector when actuated.

3. The end effector assembly of Claim 2, wherein said piece of buttress material is released from said fastener cartridge when said connector breaks.

4. The end effector assembly of Claim 1, wherein said actuator dislodges said connector when actuated to release said piece of buttress material from said fastener cartridge.
5. The end effector assembly of Claim 1, wherein said actuator comprises a slot, and wherein said slot comprises a release stop.
6. The end effector assembly of Claim 5, comprising a firing element configured to move along said slot and configured to push through said release stop, wherein said firing element is configured to shift said actuator when said firing element pushes against said release stop.
7. The end effector assembly of Claim 6, wherein said slot comprises a first width, wherein said release stop comprises a second width that is narrower than said first width, and wherein said firing element is configured to widen said second width to pass through said release stop.
8. The end effector assembly of Claim 6, wherein said release stop comprises a breakable portion, and wherein said firing element breaks said breakable portion to pass through said release stop.
9. The end effector assembly of Claim 6, comprising a hard stop, wherein said hard stop blocks distal movement of said actuator past said hard stop.

10. The end effector assembly of Claim 1, wherein said connector comprises braided fibers.
11. The end effector assembly of Claim 1, wherein said actuator extends through at least a portion of said anvil.
12. The end effector assembly of Claim 1, wherein said actuator surrounds at least a portion of said fastener cartridge.
13. An end effector assembly for use with a surgical instrument, the end effector assembly comprising:
  - an anvil;
  - a fastener cartridge comprising a fastener cavity;
  - a fastener removably positioned in said fastener cavity;
  - a piece of buttress material releasably secured intermediate said anvil and said fastener cartridge;
  - an connector, wherein said connector secures said piece of buttress material to one of said anvil or said fastener cartridge, and wherein said connector is positioned distal to said fastener cavity; and
  - an actuator configured to overcome said connector when actuated, wherein said actuator extends past said fastener in said fastener cavity, and wherein said actuator is actuated proximal to said fastener cavity.

14. The end effector assembly of Claim 13, wherein said fastener is configured to capture a portion of said piece of buttress material when said fastener moves from an unfired to a fired position.

15. The end effector assembly of Claim 13, comprising a firing element, wherein said actuator comprises a slot, and wherein said firing element is configured to translate along said slot.

16. The end effector assembly of Claim 15, wherein said slot comprises a release stop, wherein said firing element is configured to push through said release stop when translating along said slot, and wherein said firing element is configured to shift said actuator when said firing element pushes against said release stop.

17. The end effector assembly of Claim 16, wherein said release stop comprises a breakable portion, and wherein said firing element breaks said breakable portion to pass through said release stop.

18. The end effector assembly of Claim 16, comprising a hard stop, wherein said hard stop blocks distal movement of said actuator past said hard stop.

19. The end effector assembly of Claim 13, wherein said actuator comprises a distal cutting edge, and wherein said distal cutting edge cuts said connector when said actuator is actuated.

20. The end effector assembly of Claim 13, wherein said actuator overcomes said connector prior to the removal of said fastener from said fastener cavity.

21. An end effector assembly for use with a surgical instrument, the end effector assembly comprising:

a proximal portion and a distal portion;

an anvil;

a fastener cartridge comprising a fastener cavity;

a fastener removably positioned in said fastener cavity;

buttressing means for buttressing, wherein said buttressing means is releasably secured intermediate said anvil and said fastener cartridge;

attachment means for securing said buttressing means intermediate said anvil and said fastener cartridge at said distal portion; and

releasing means for releasing said buttressing means, wherein said releasing means is actuated at said proximal portion, and wherein said releasing means moves past said fastener in said fastener cavity to overcome said attachment means when actuated.

22. A fastener cartridge assembly for use with a fastening instrument, said fastener cartridge assembly comprising:

a cartridge body, comprising:

a proximal end portion;

a distal end portion; and

a plurality of fastener cavities;

a plurality of fasteners, wherein said fasteners are ejected from said fastener cavities during a portion of a firing stroke of the fastening instrument;

buttressing means for buttressing the tissue, wherein said buttressing means is releasably attached to said cartridge body;

first attachment means for attaching said buttressing means to said proximal end portion of said cartridge body;

second attachment means for attaching said buttressing means to said distal end portion of said cartridge body; and

releasing means for releasing said buttressing means from said cartridge body by overcoming said first attachment means and said second attachment means during an initial portion of the firing stroke.

23. The fastener cartridge of Claim 22, wherein the initial portion of the firing stroke coincides with the ejection of the fasteners from the fastener cavities.

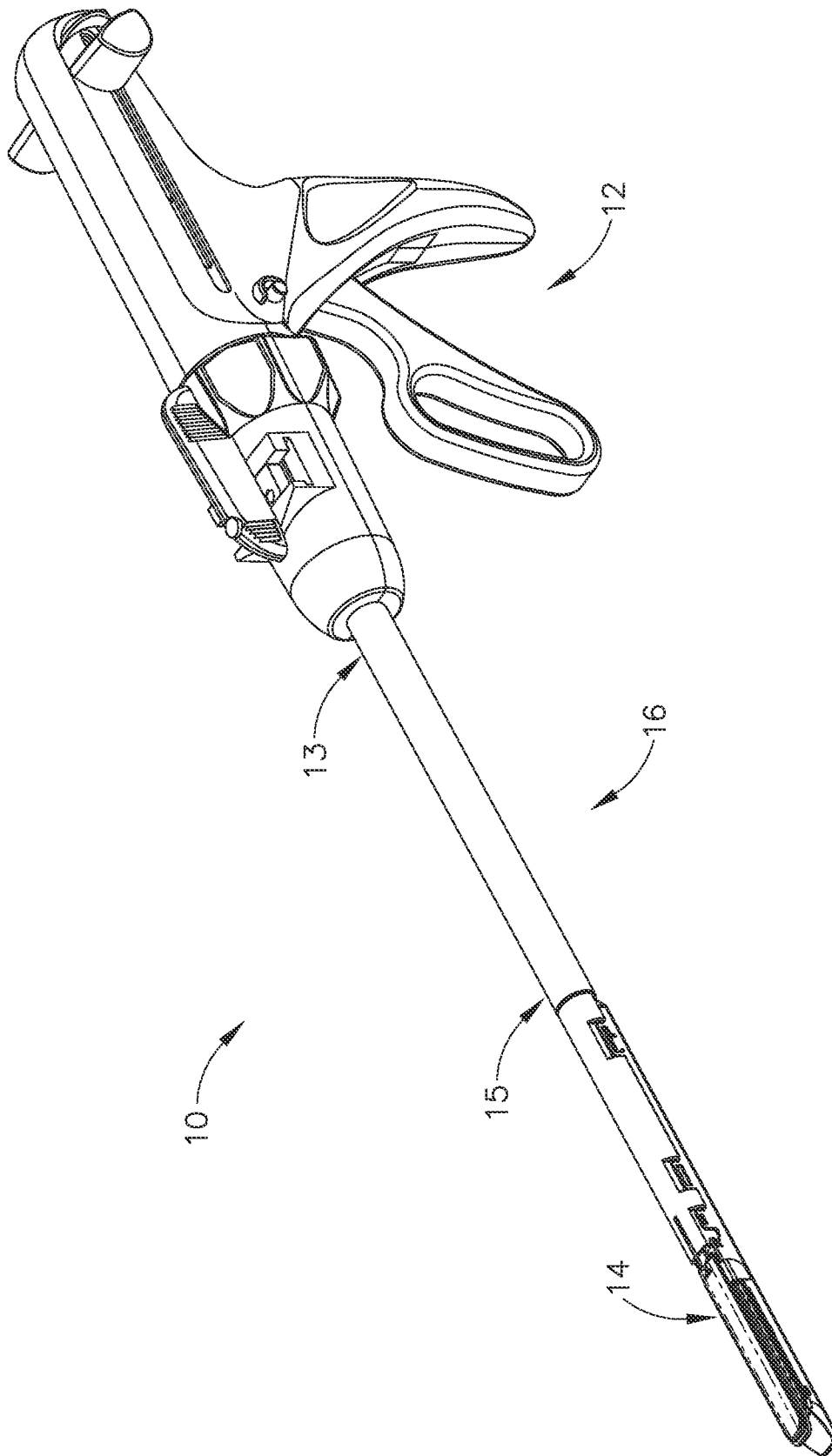


FIG. 1

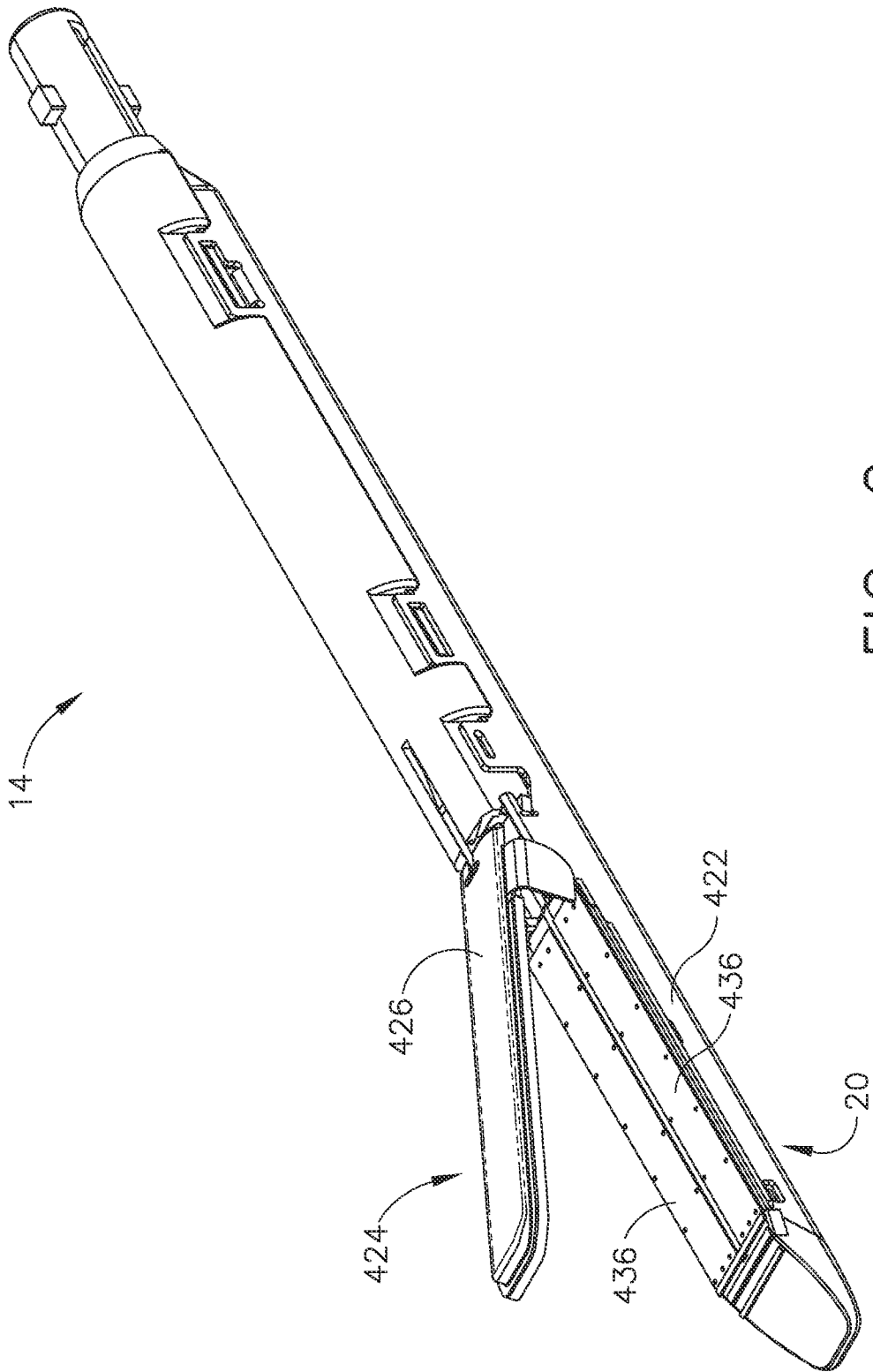


FIG. 2



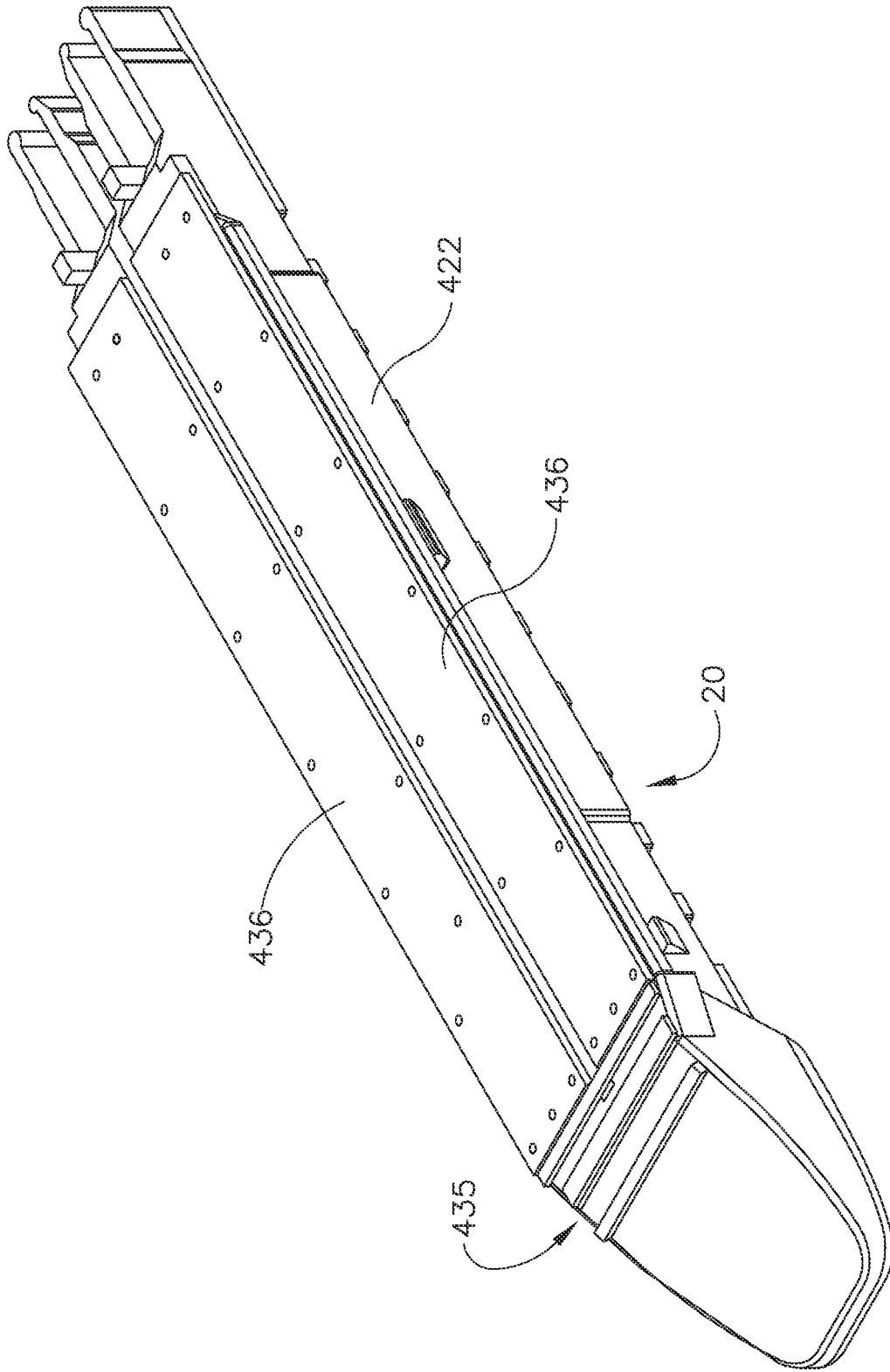


FIG. 3

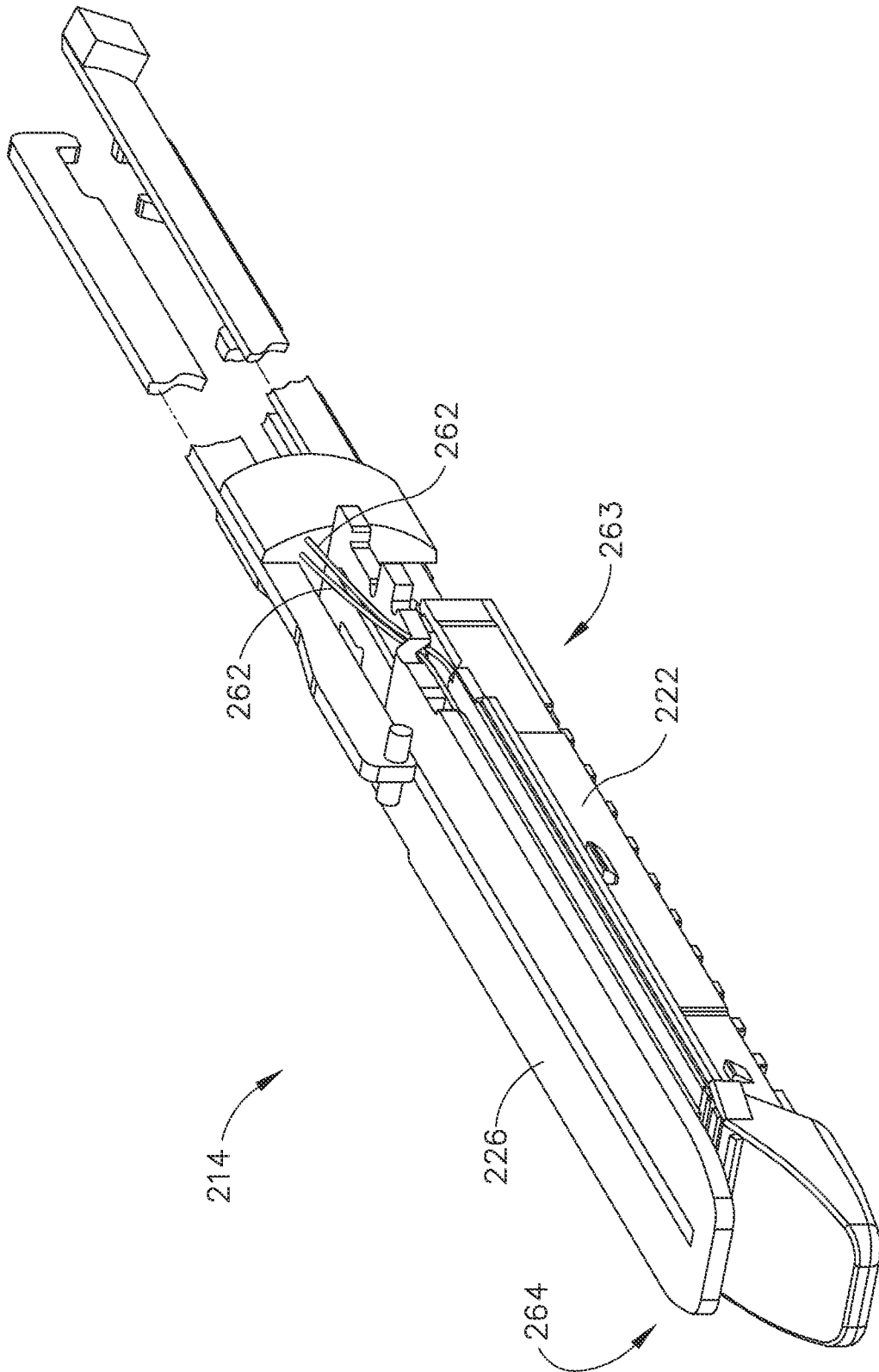


FIG. 4

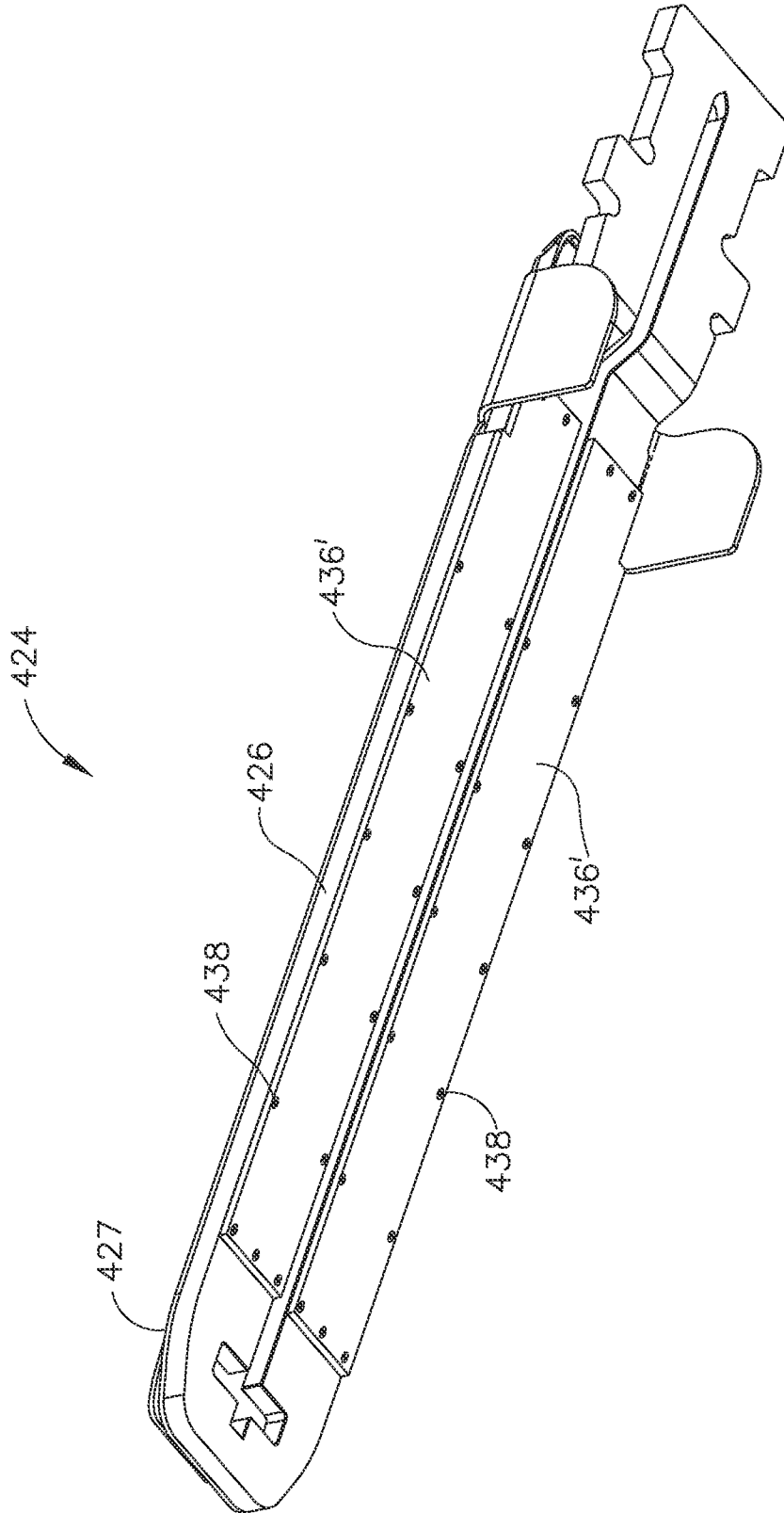


FIG. 5

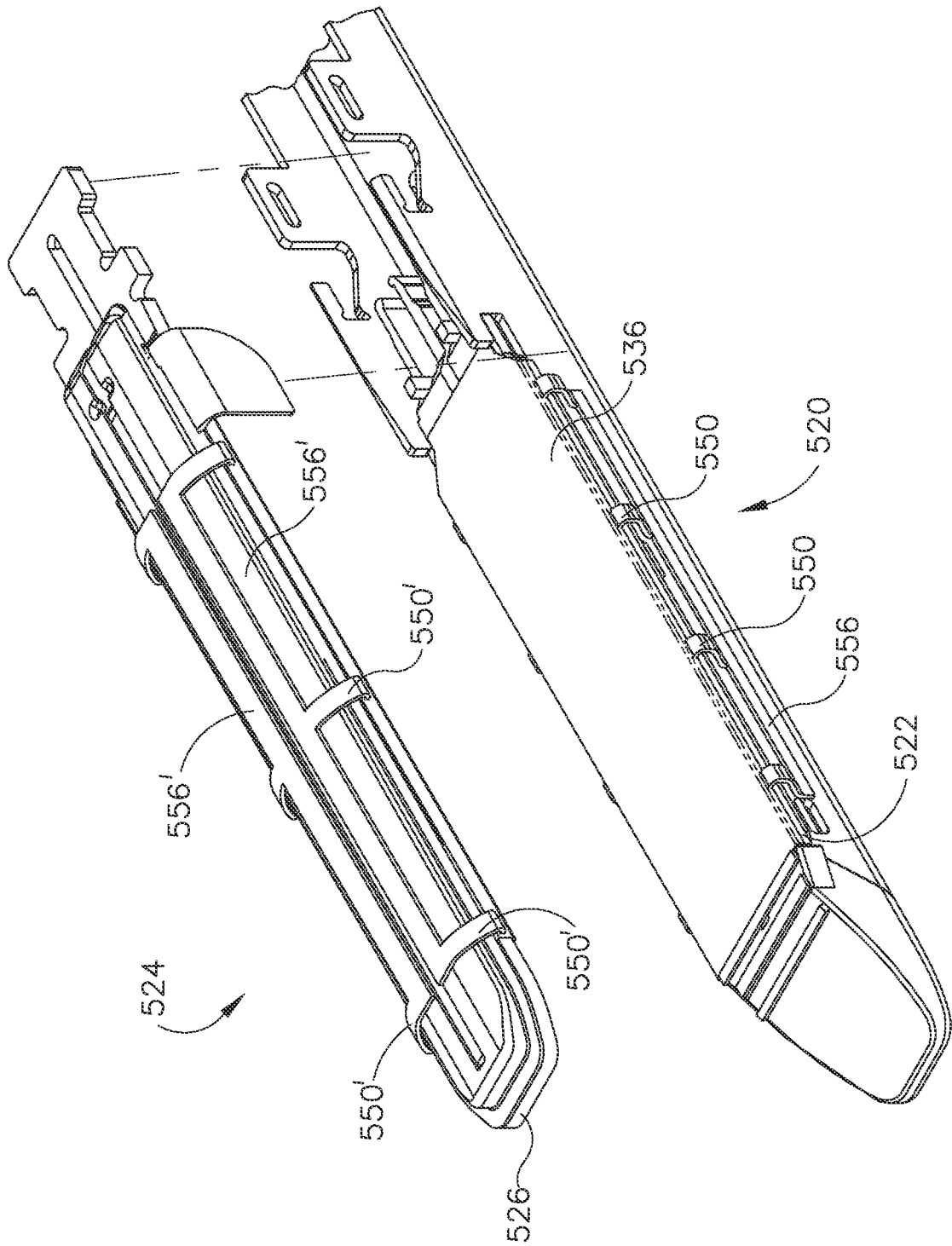


FIG. 6

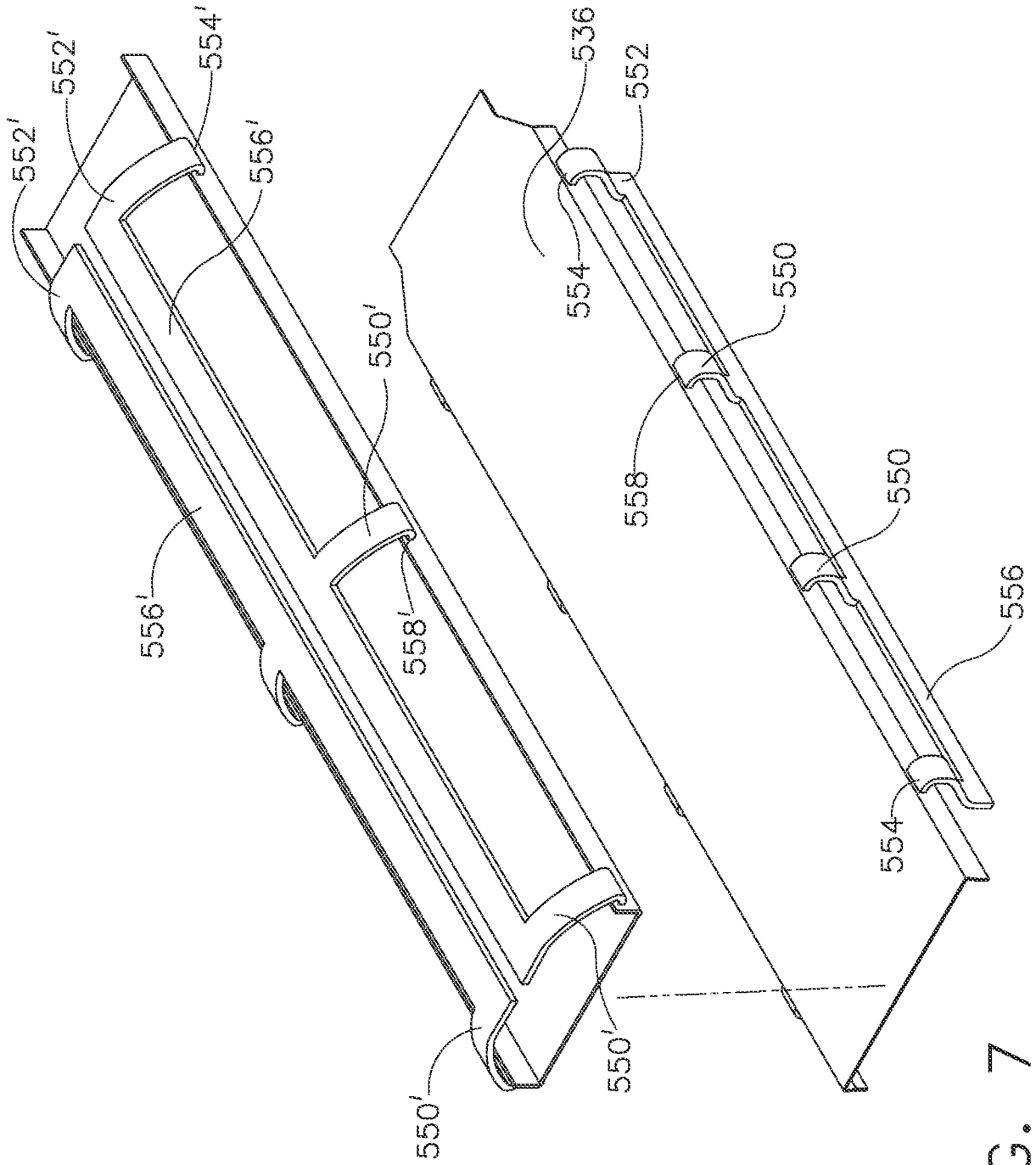


FIG. 7

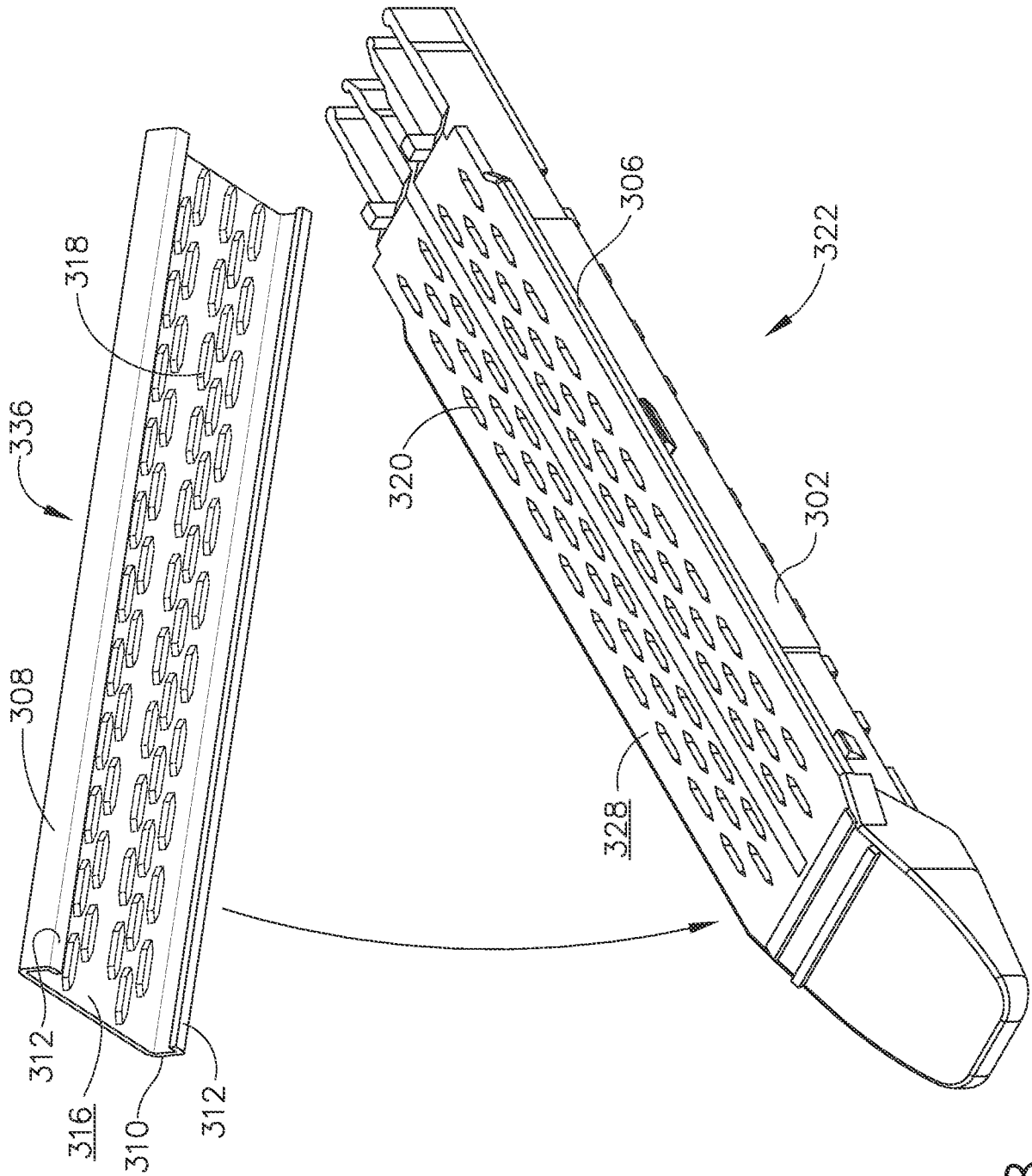


FIG. 8

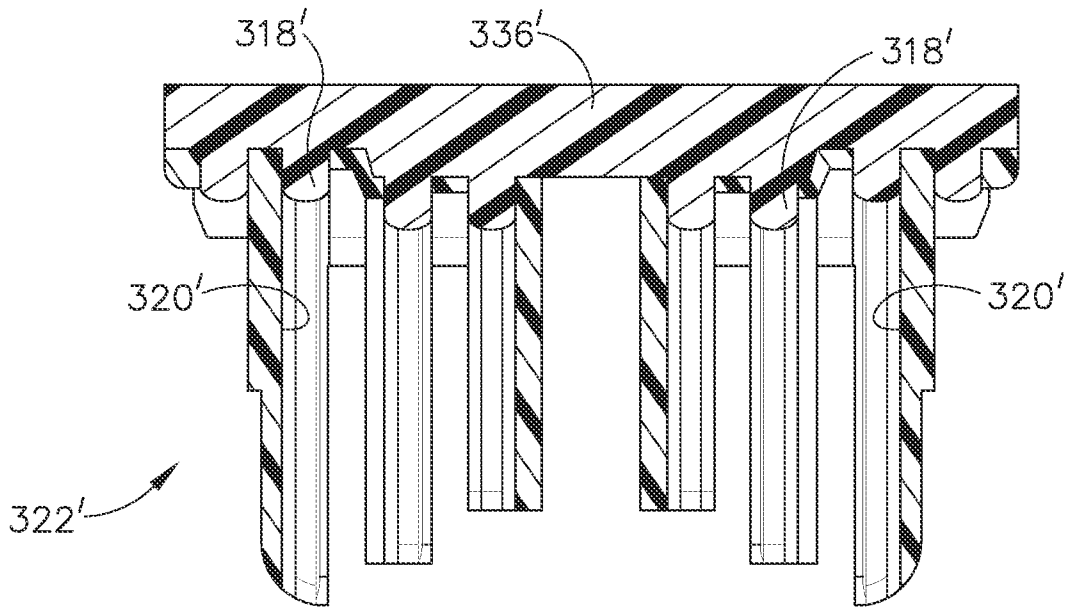


FIG. 9

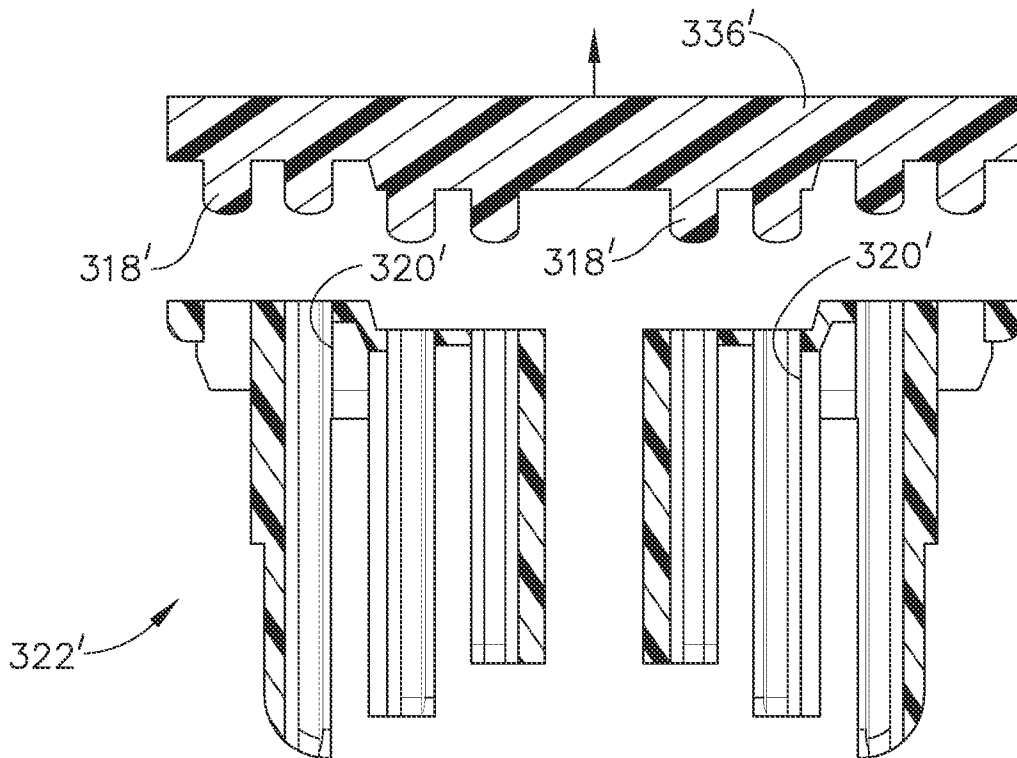


FIG. 10







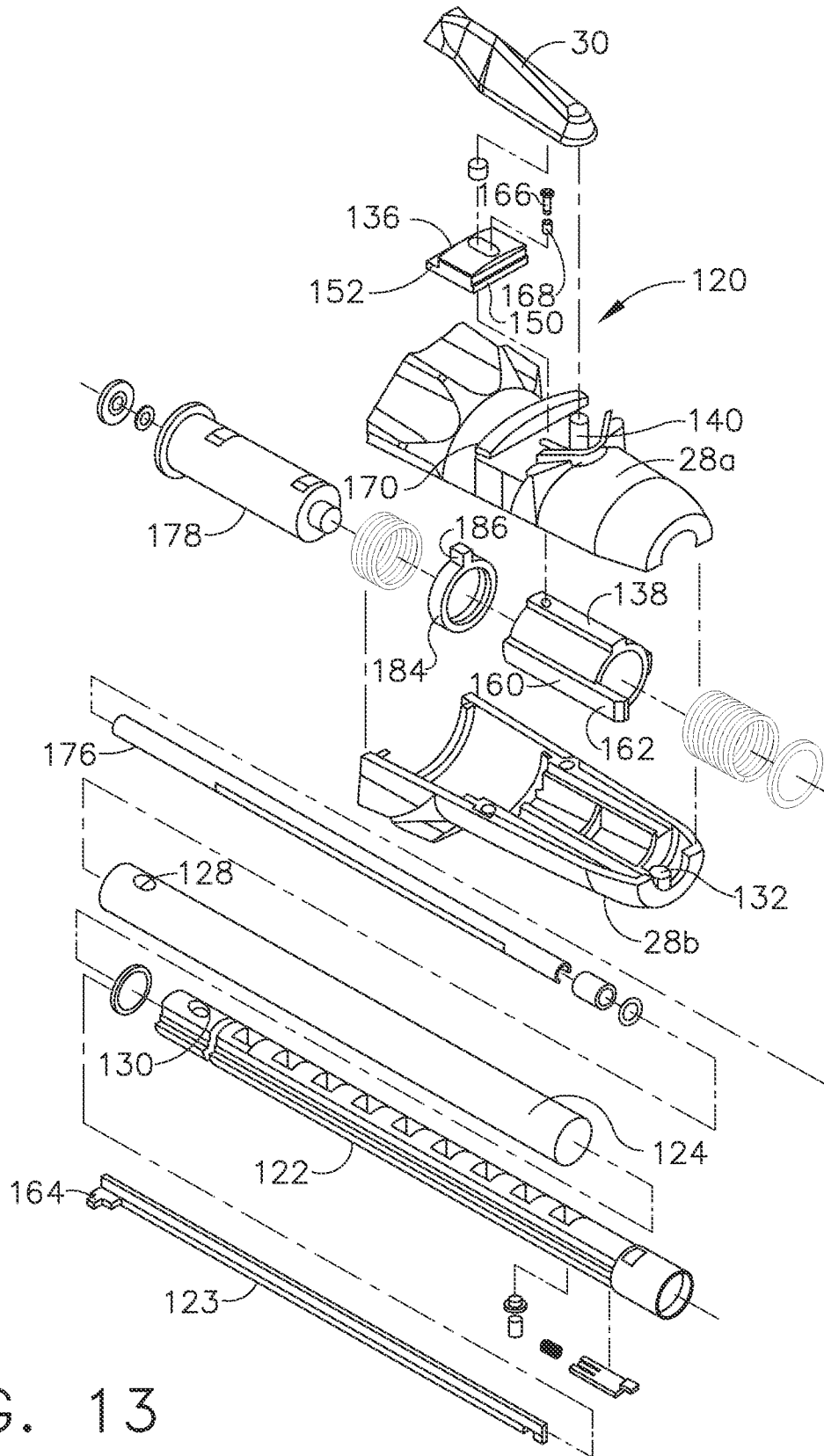


FIG. 13

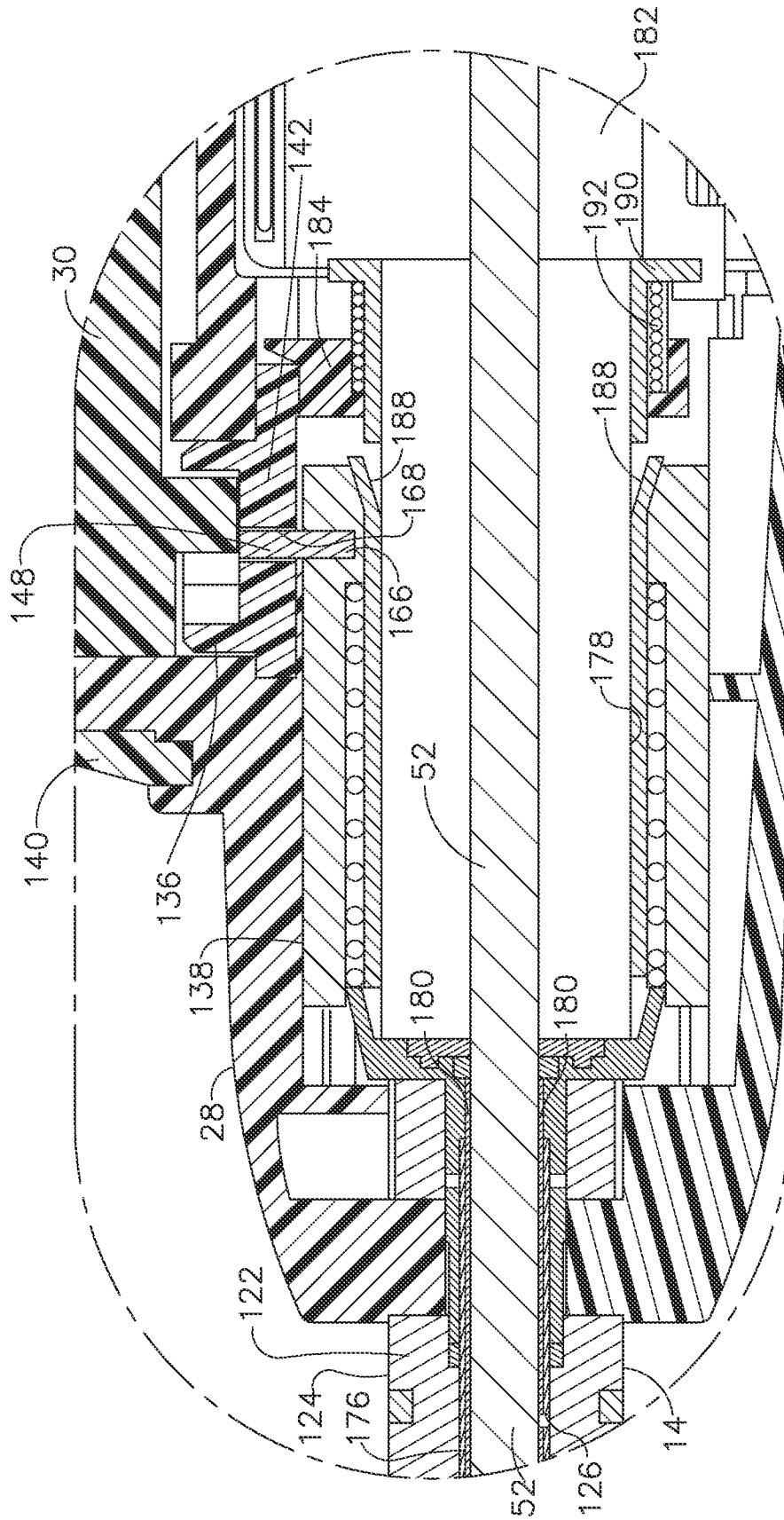


FIG. 14

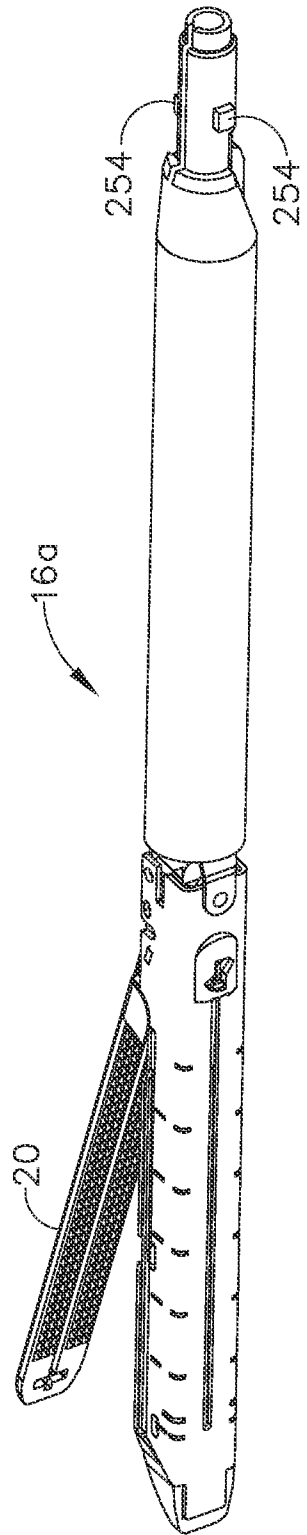


FIG. 15

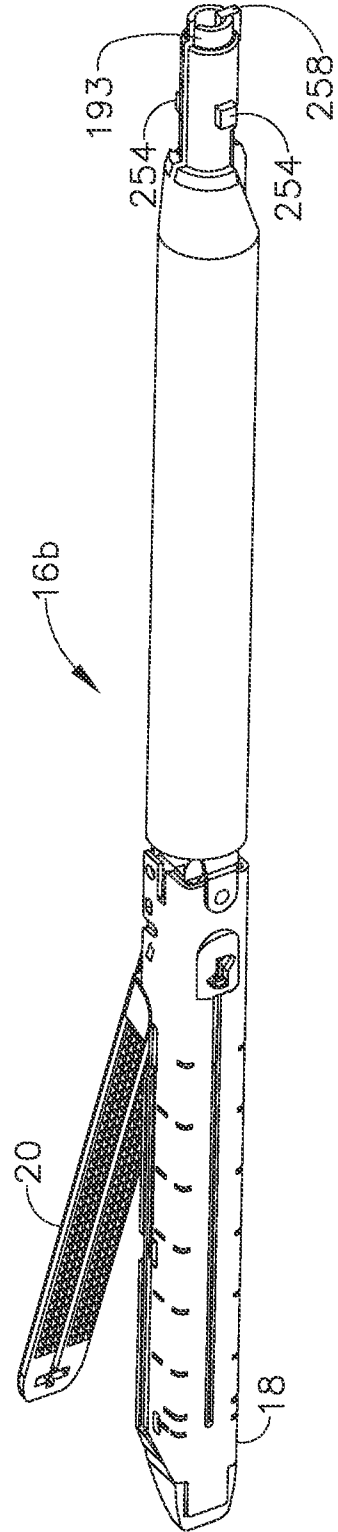
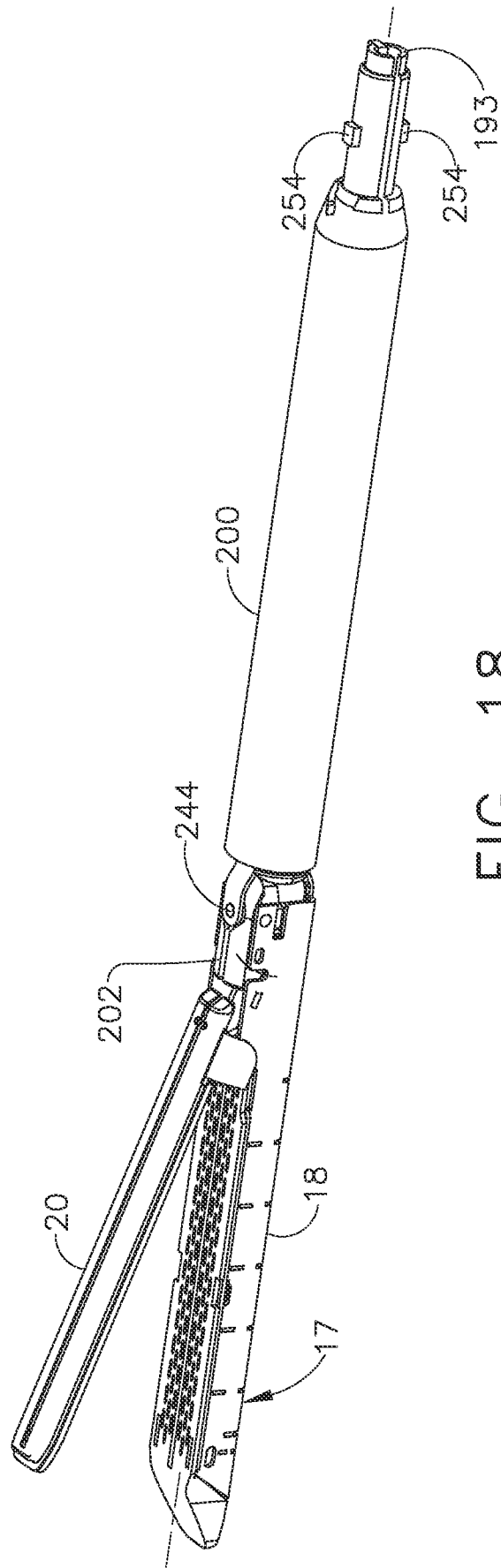
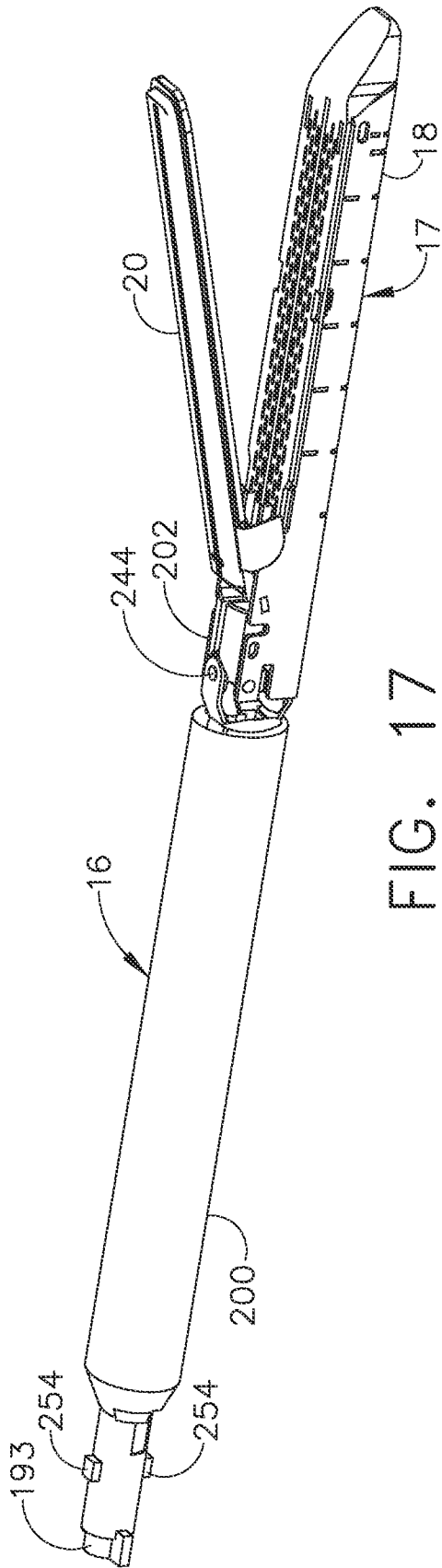


FIG. 16





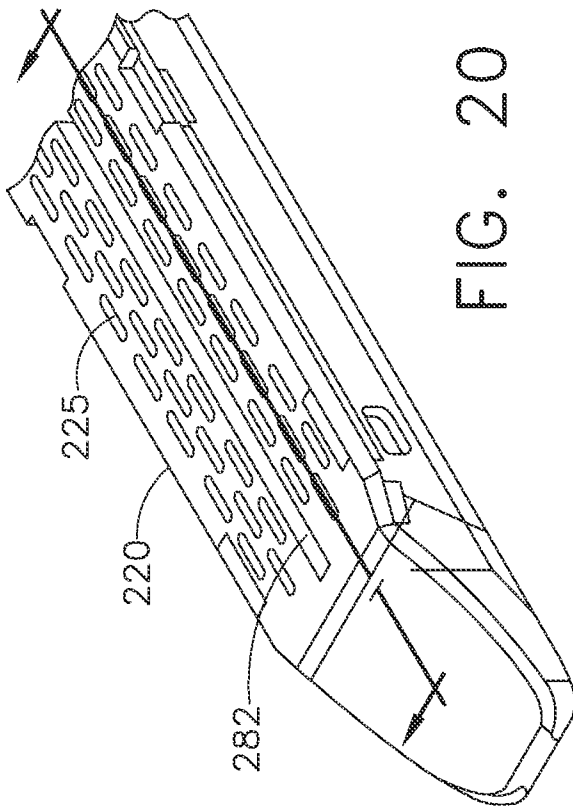


FIG. 20

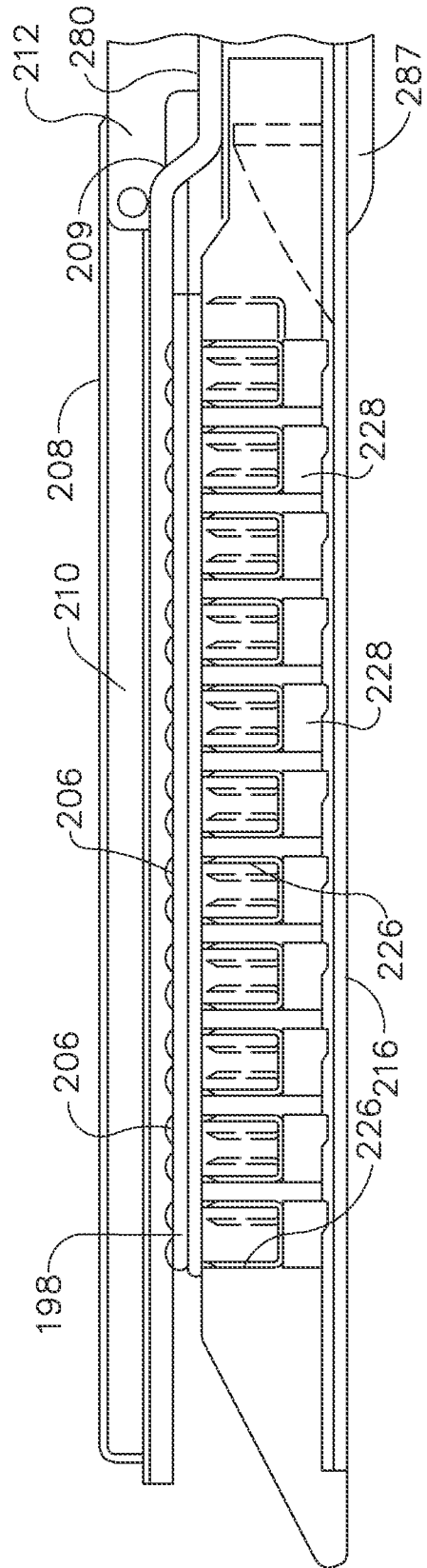


FIG. 21

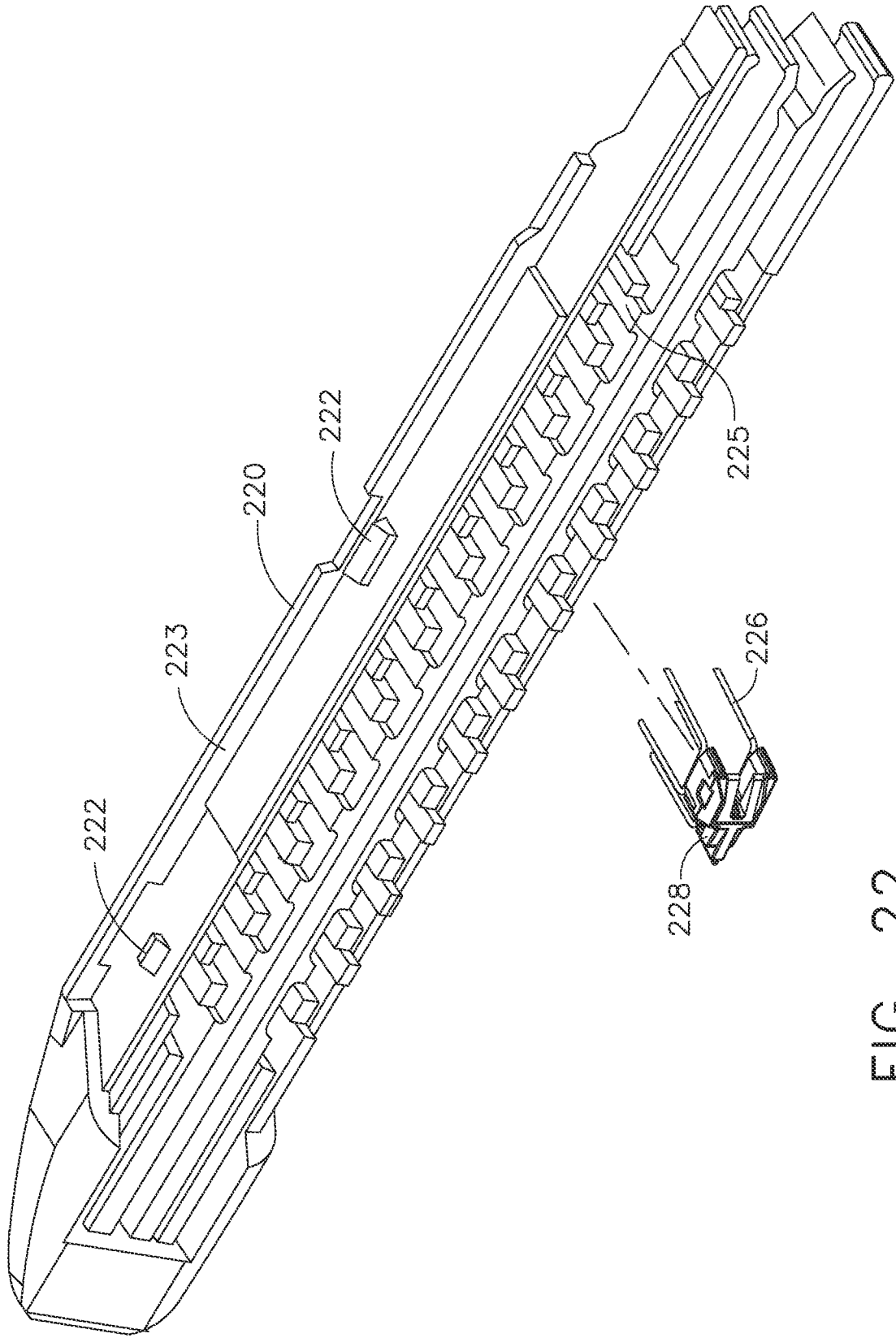


FIG. 22



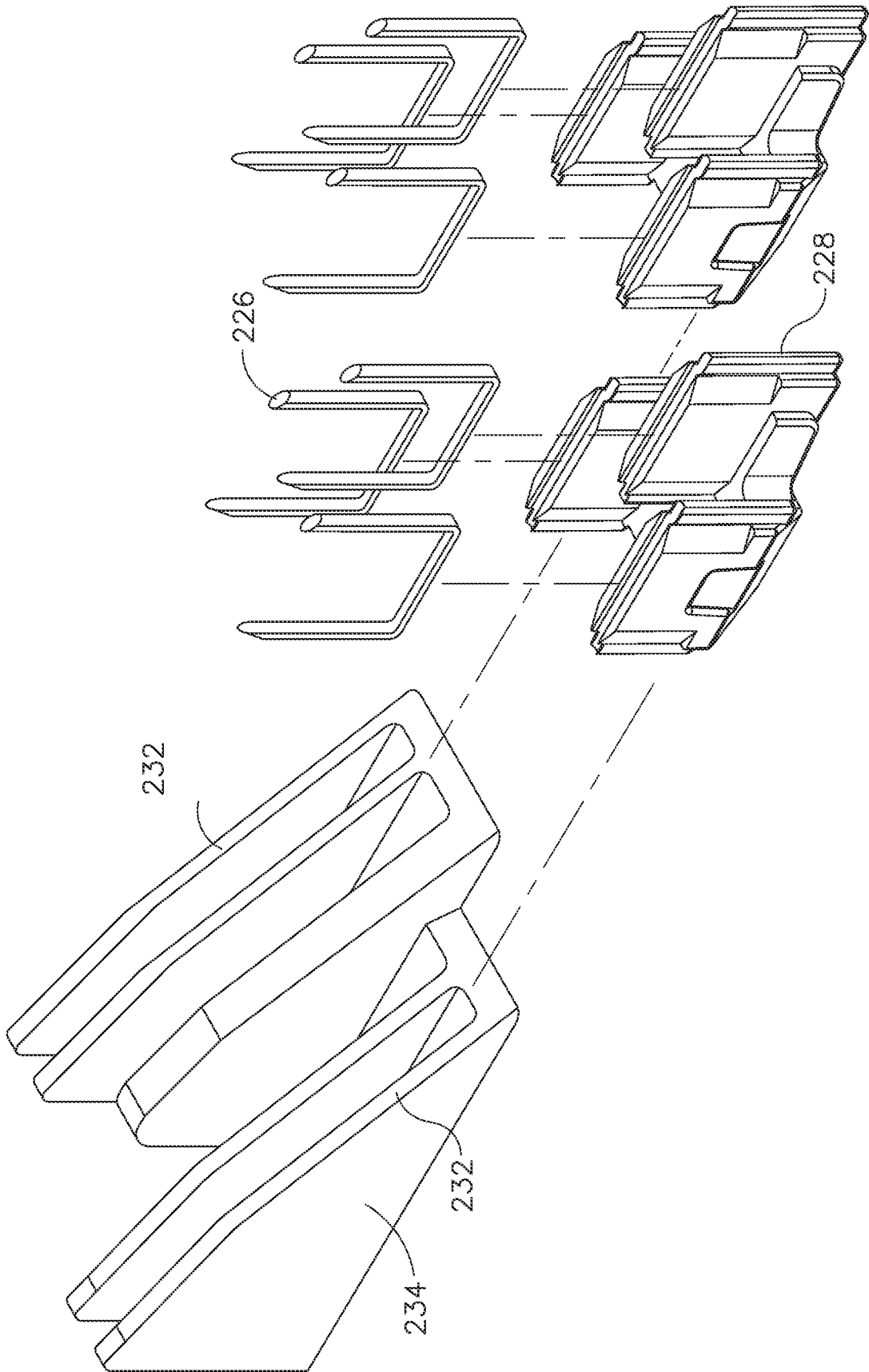
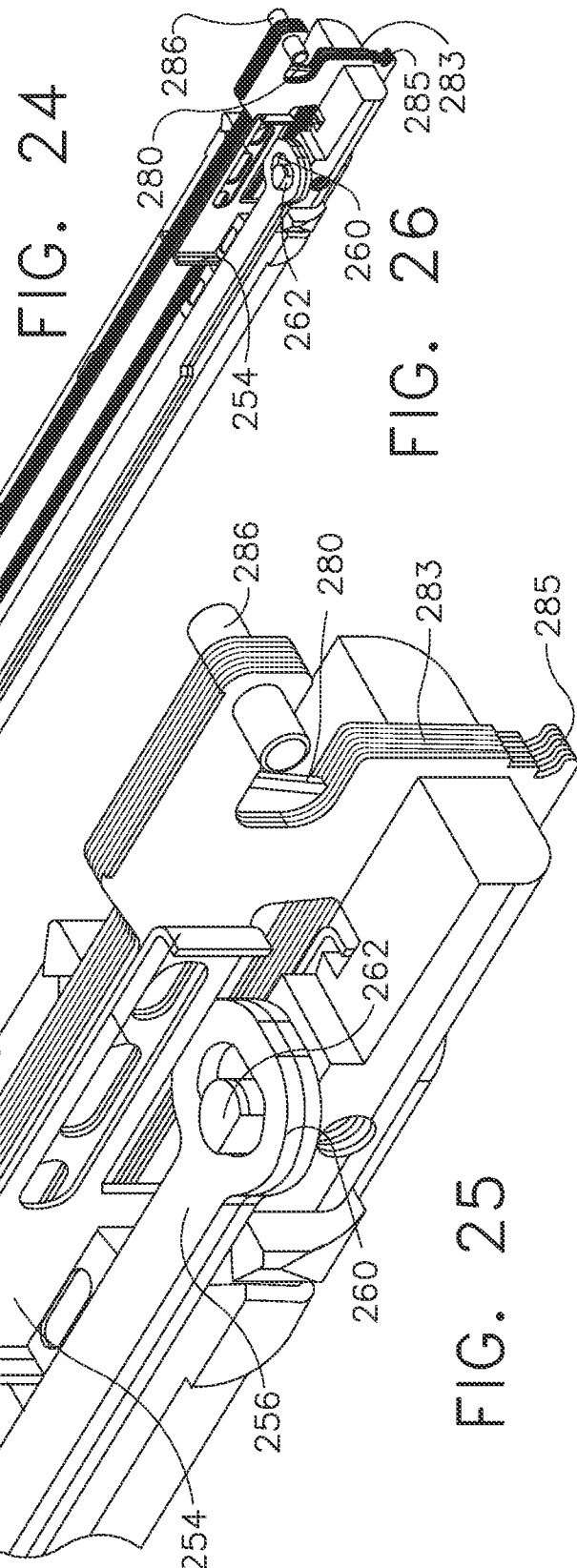
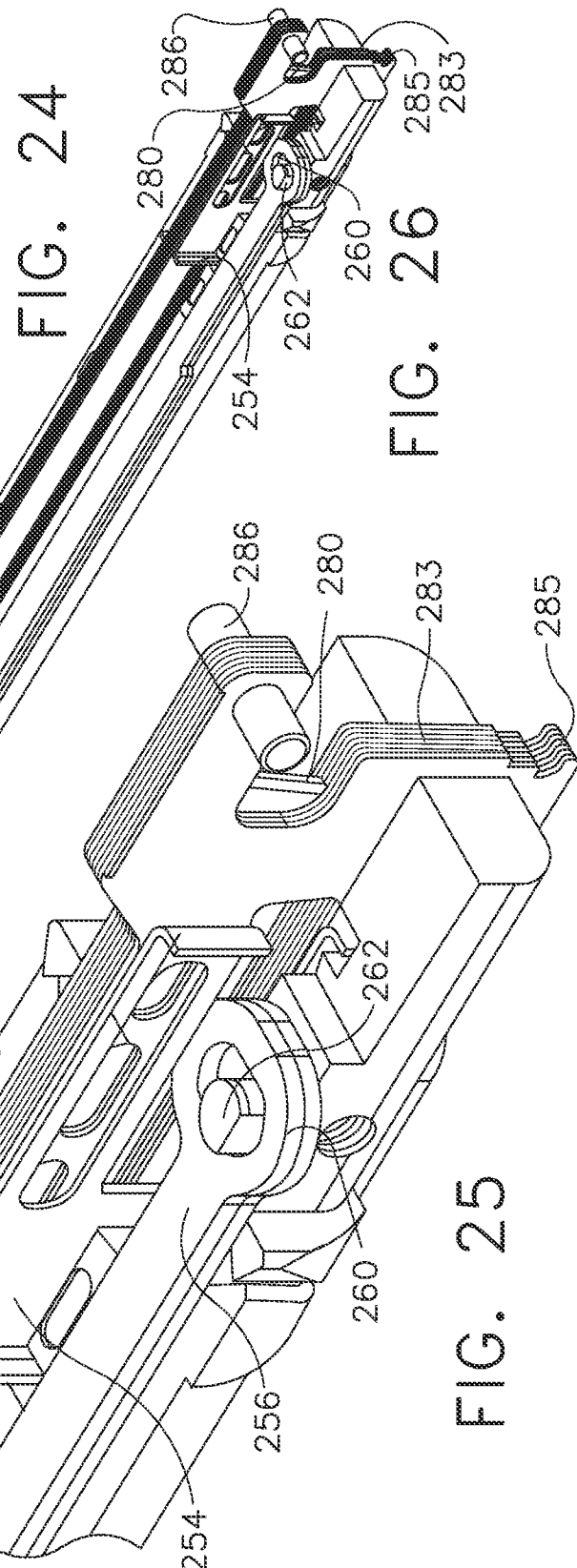
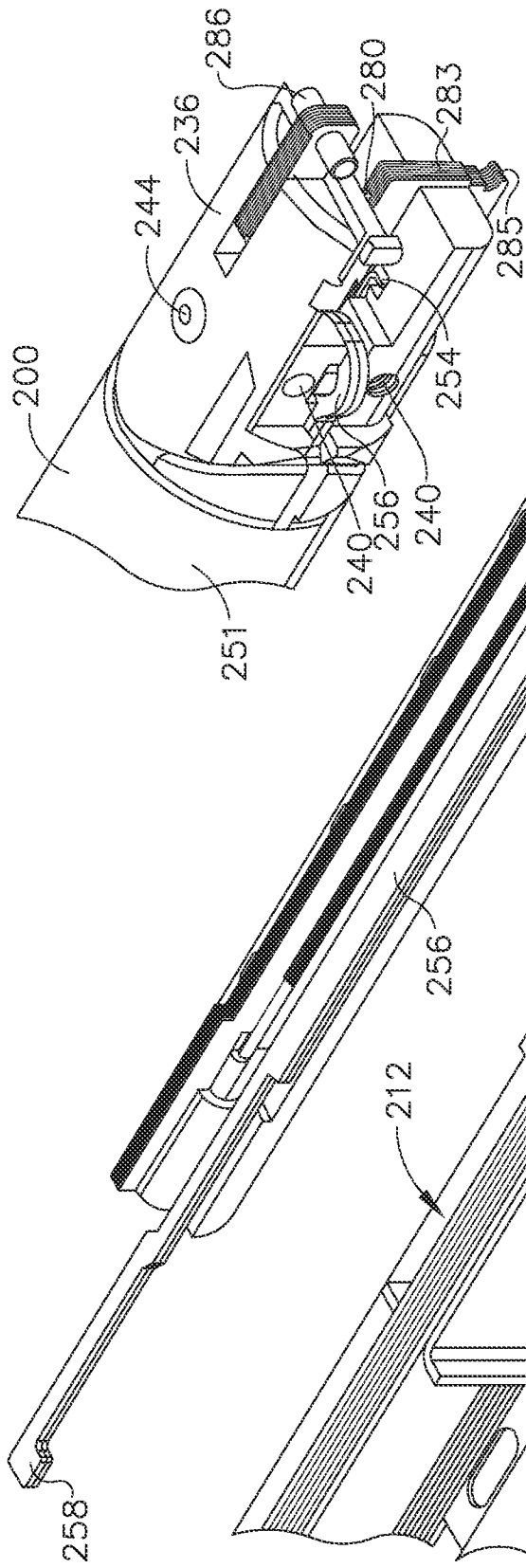


FIG. 23



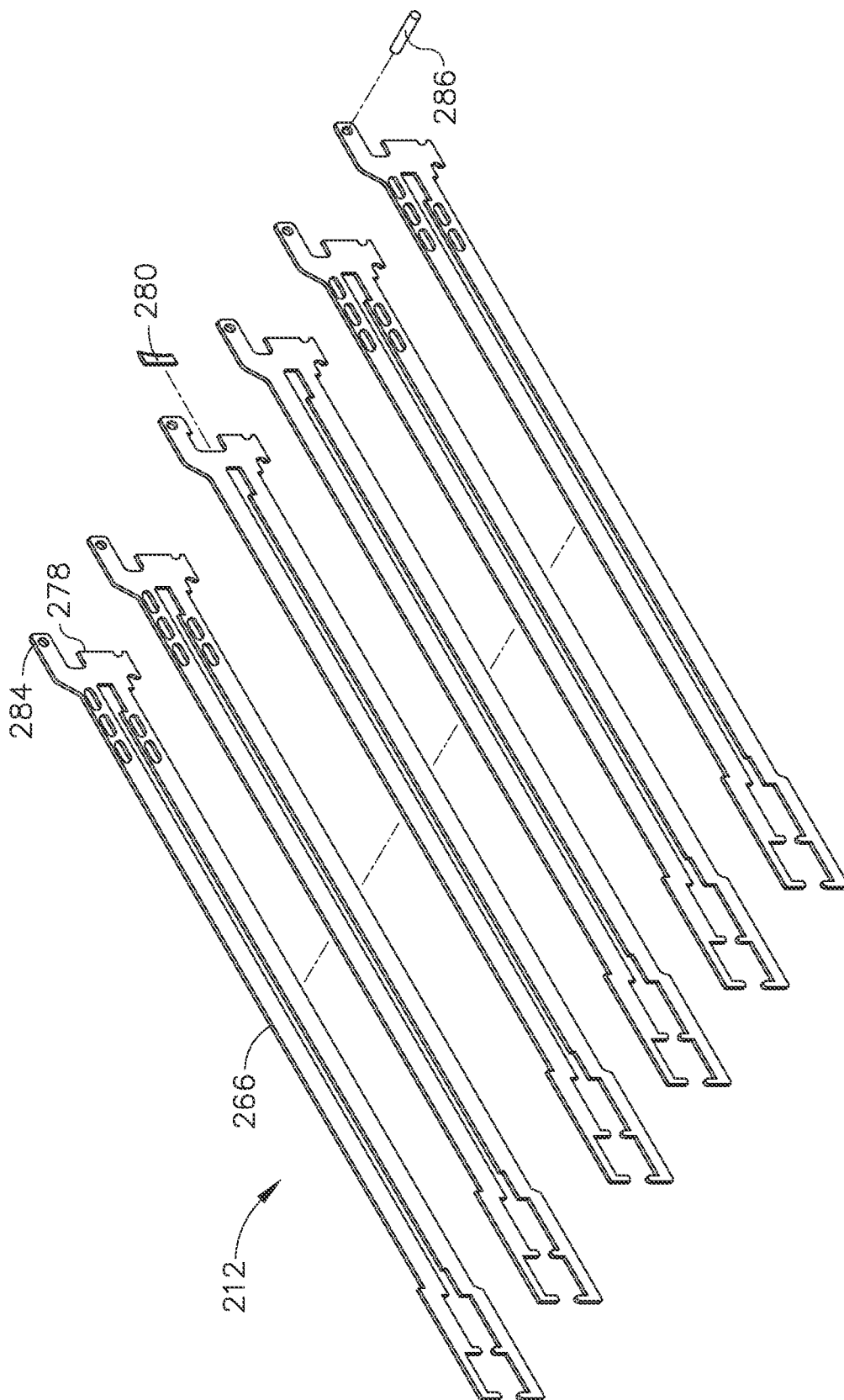


FIG. 27



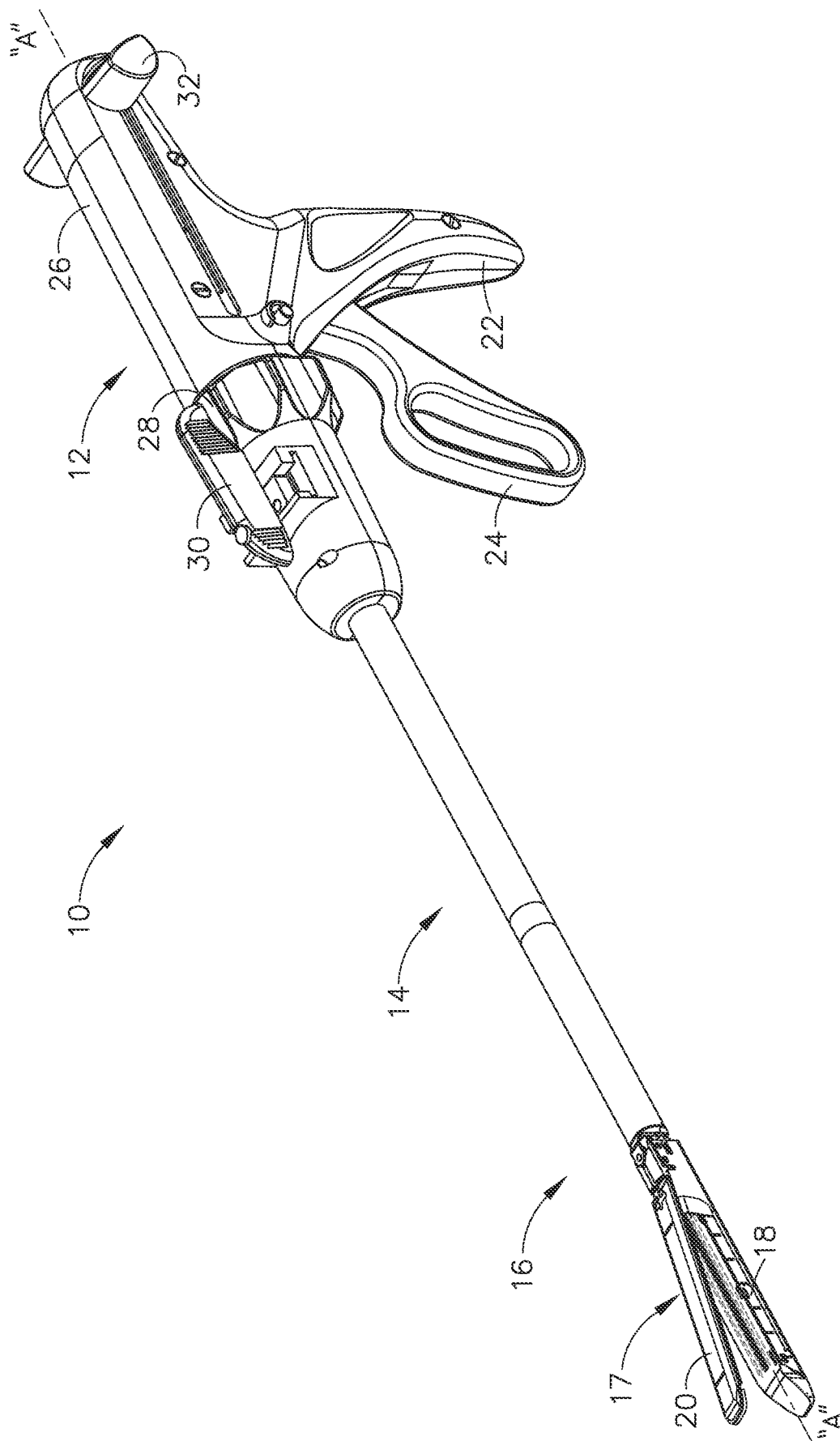


FIG. 29

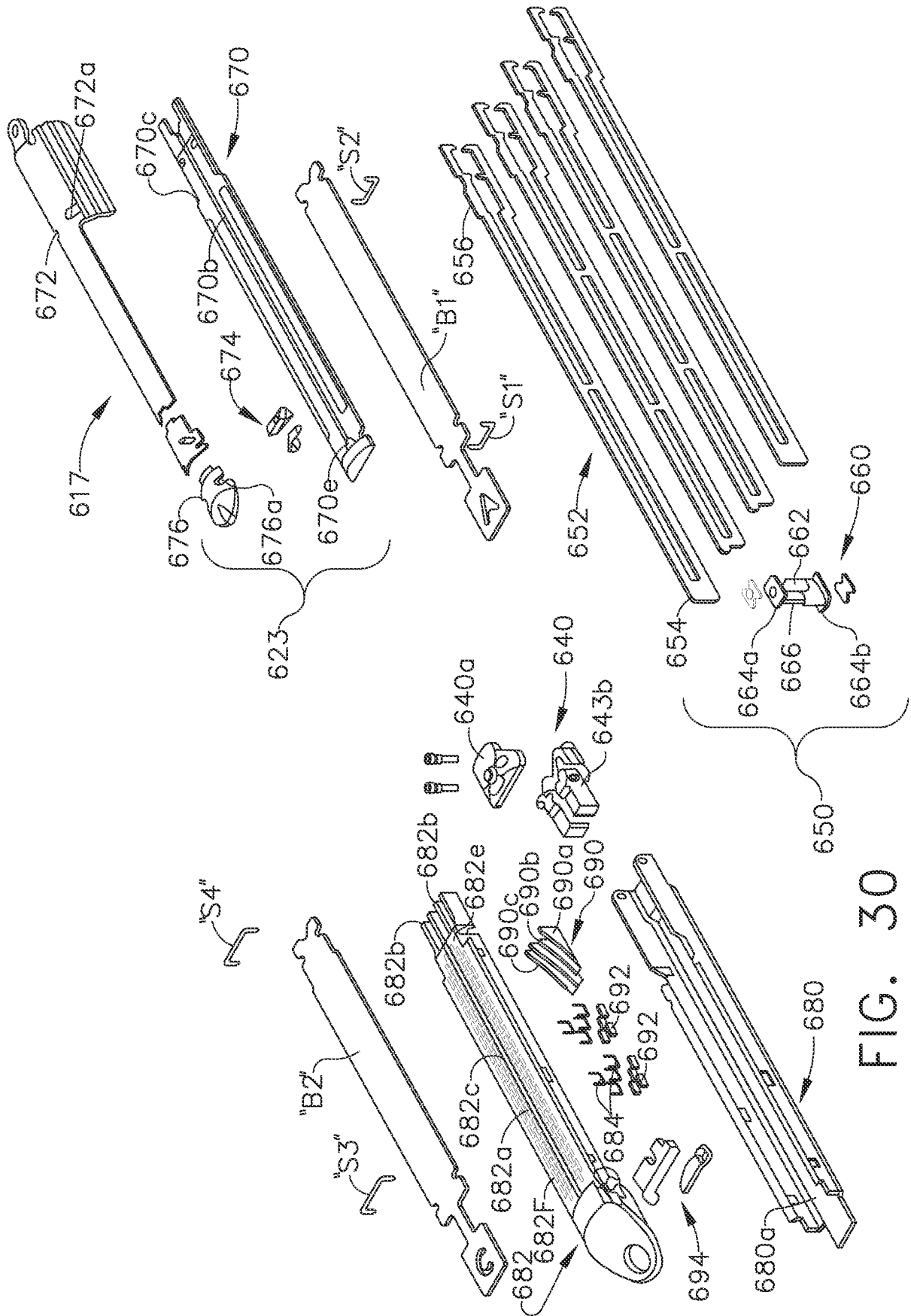


FIG. 30

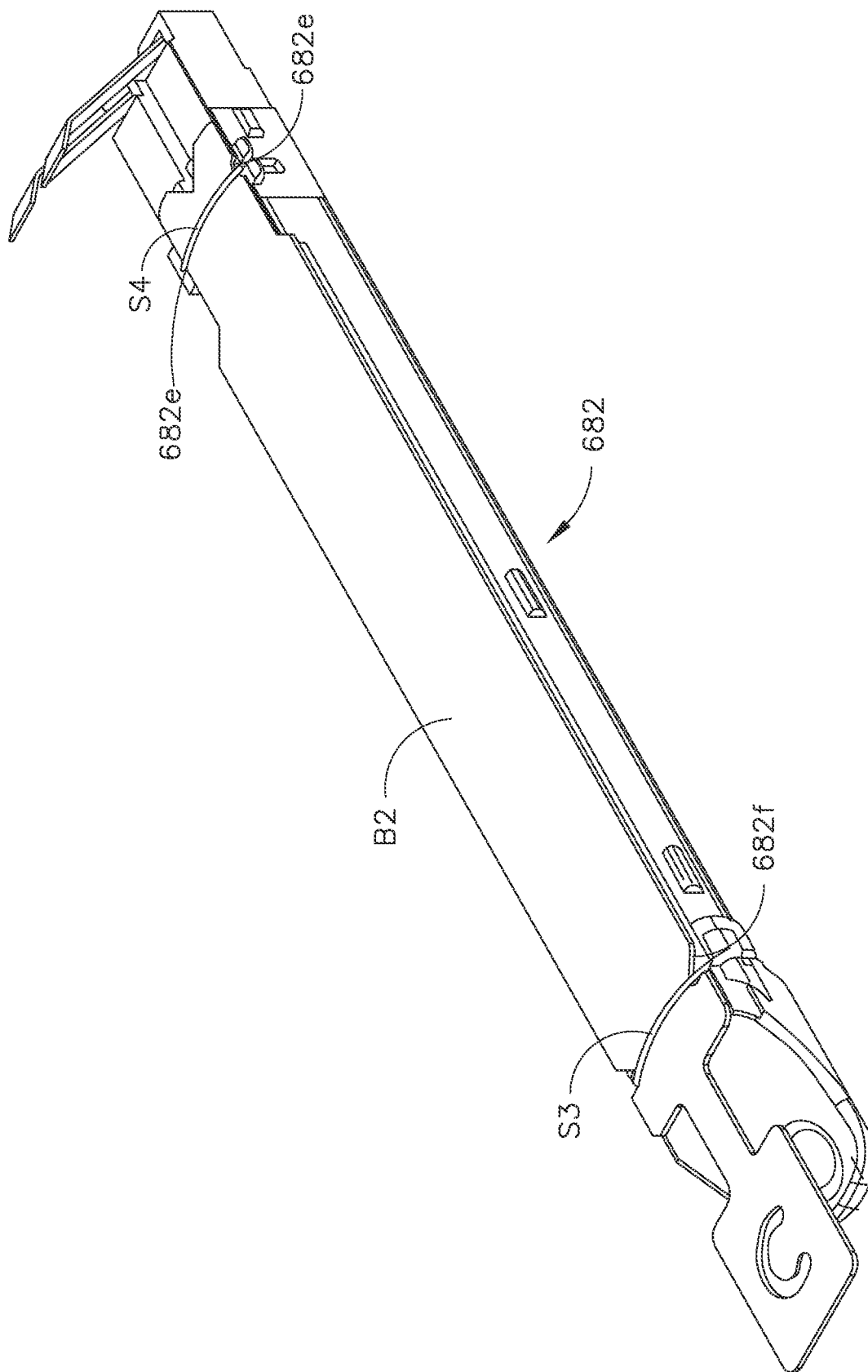


FIG. 31

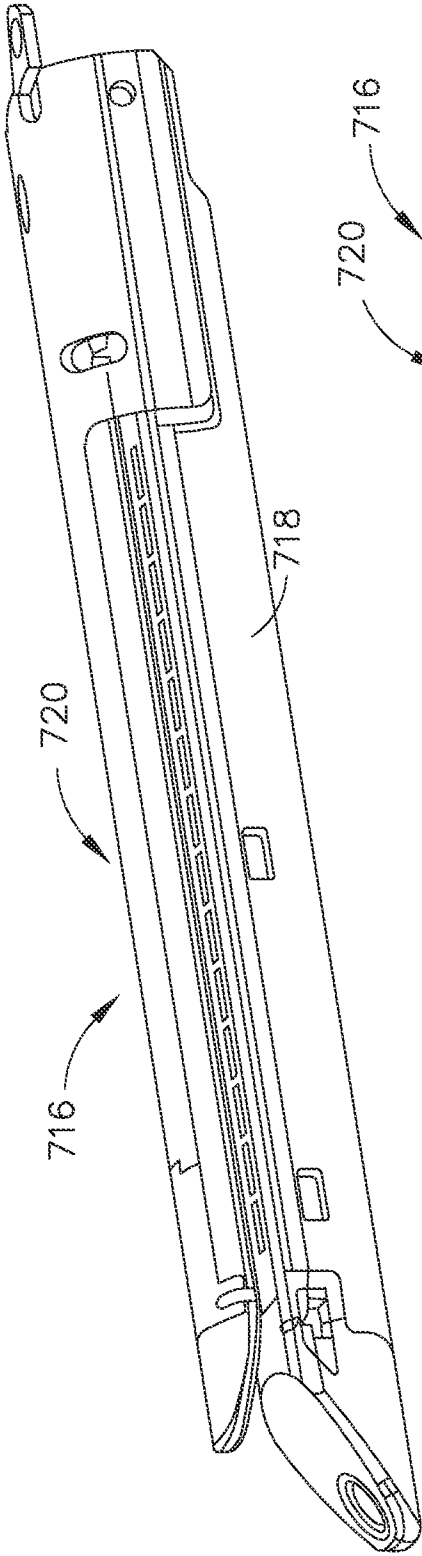


FIG. 32

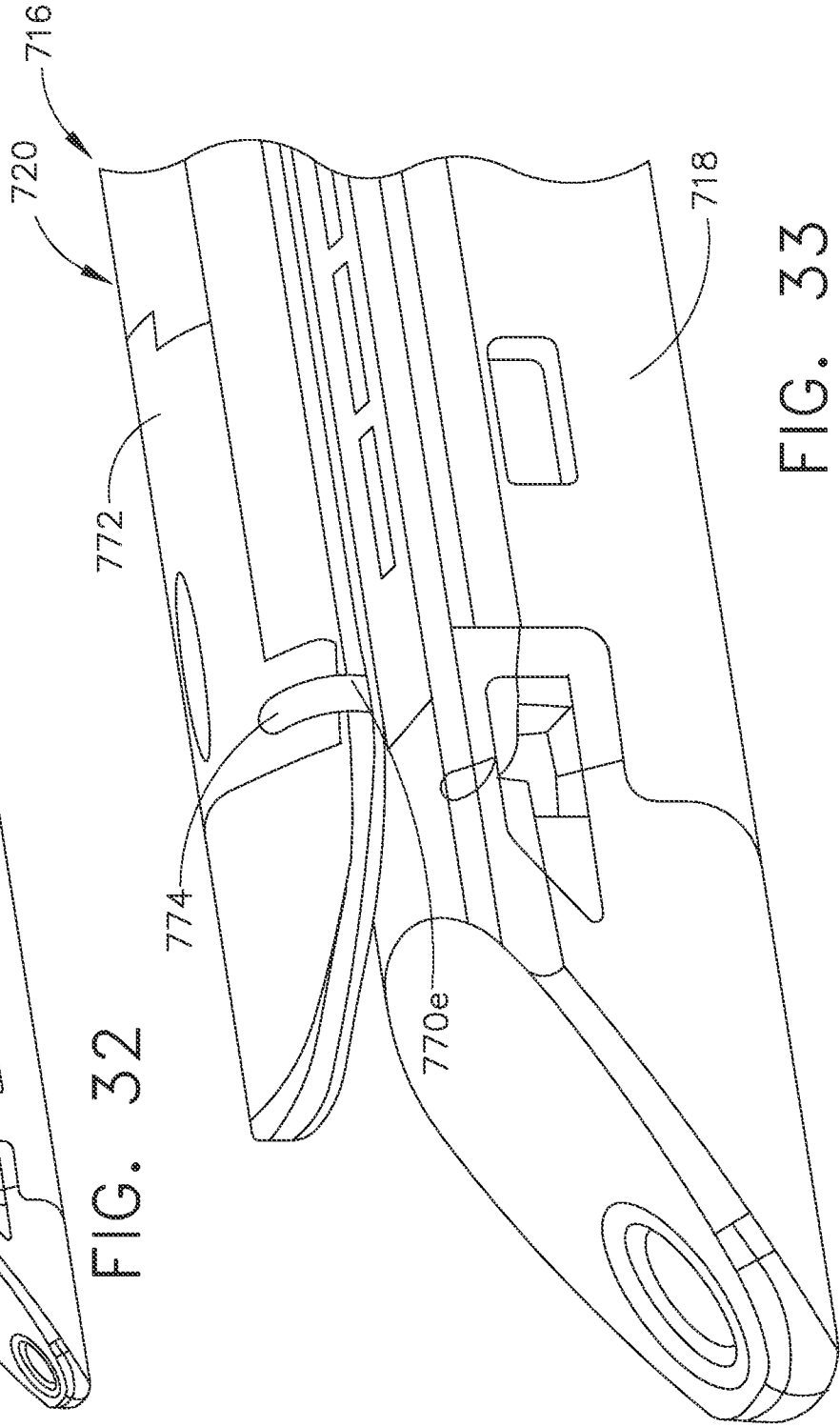


FIG. 33



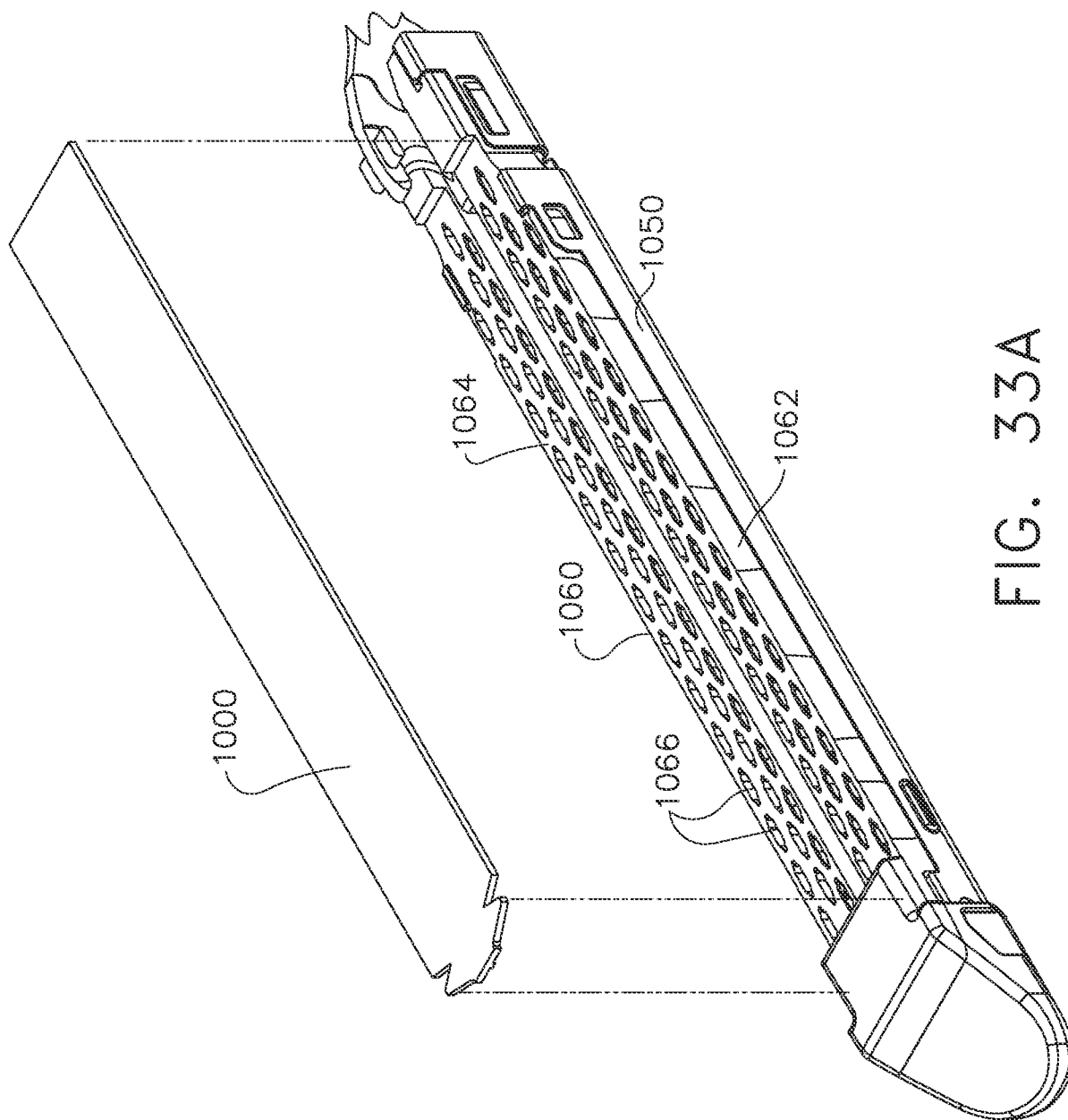


FIG. 33A

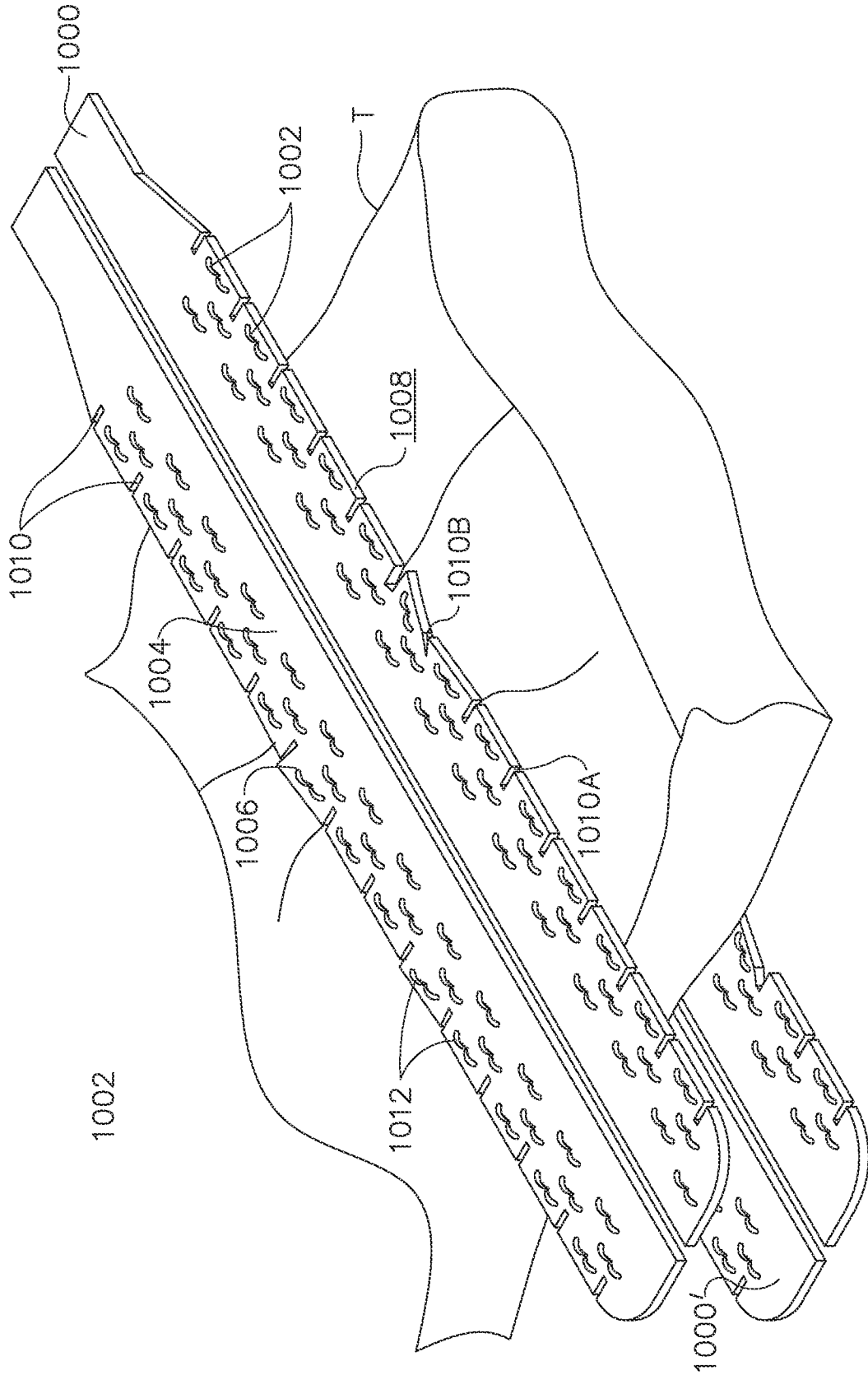


FIG. 34

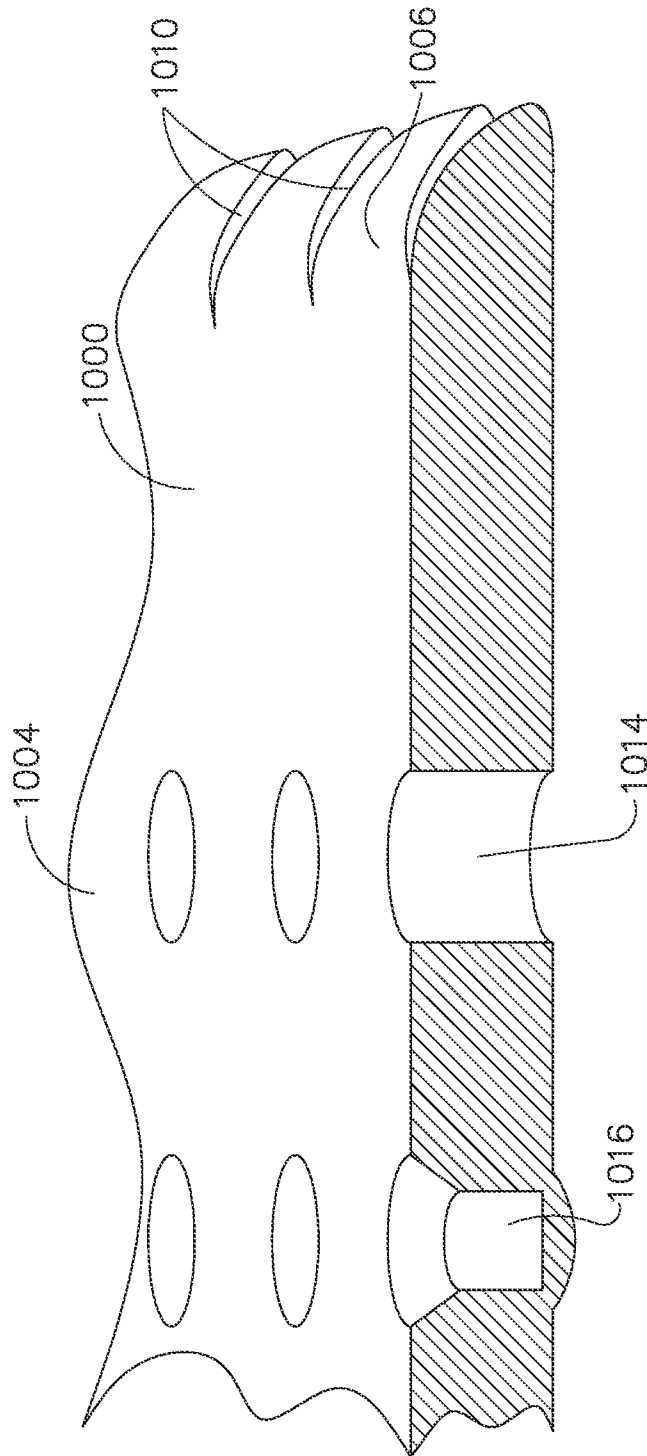


FIG. 35

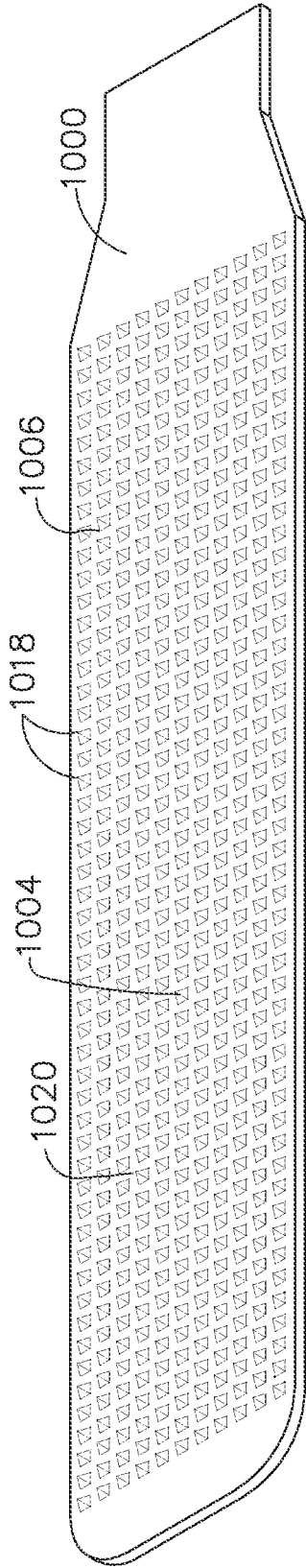


FIG. 36

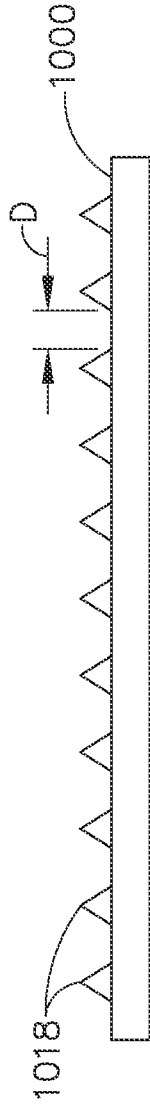


FIG. 37

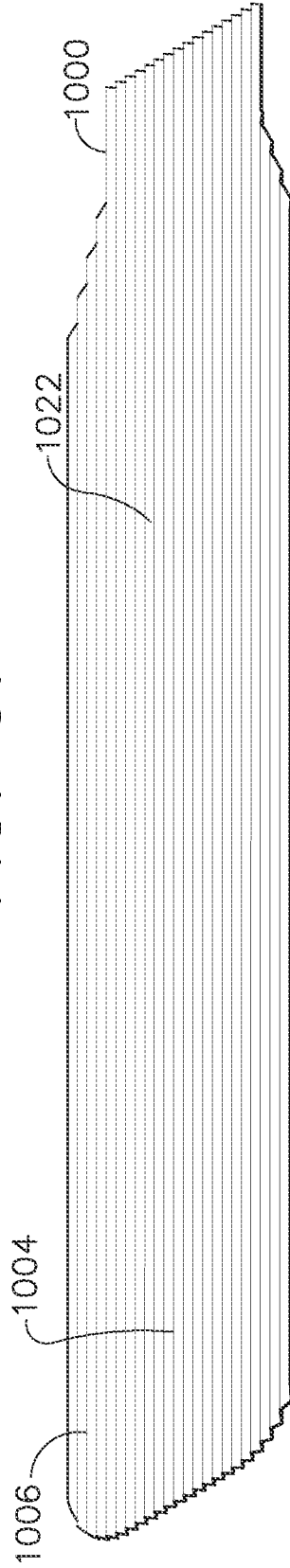


FIG. 38



FIG. 39

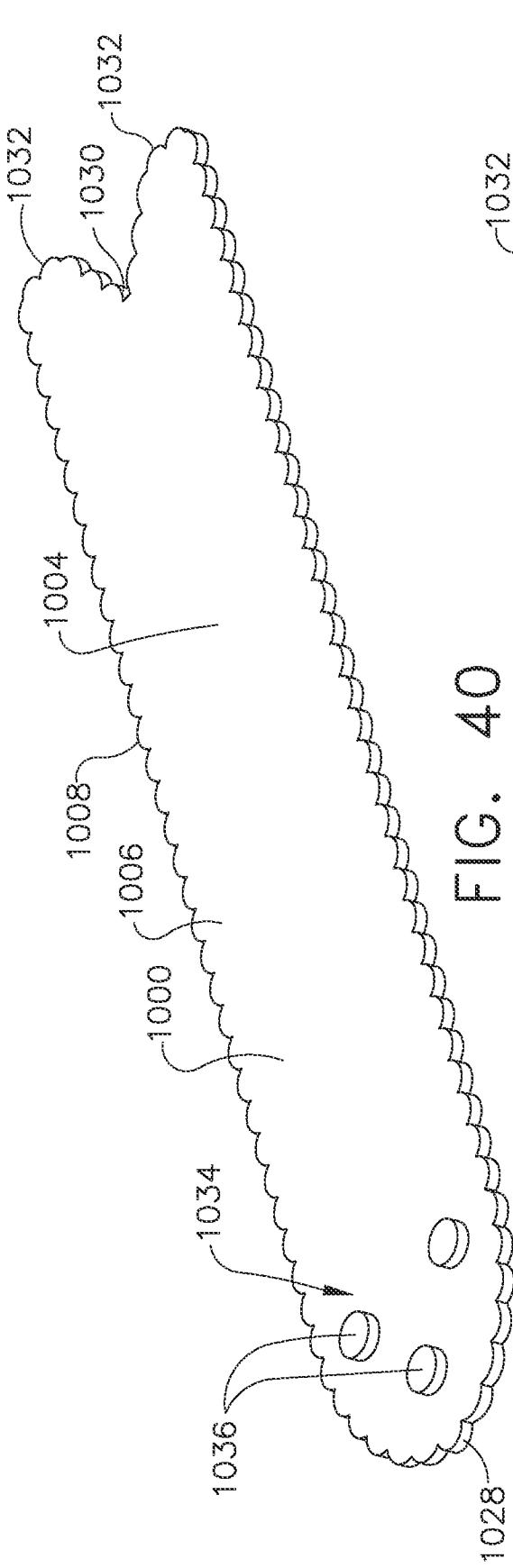


FIG. 40

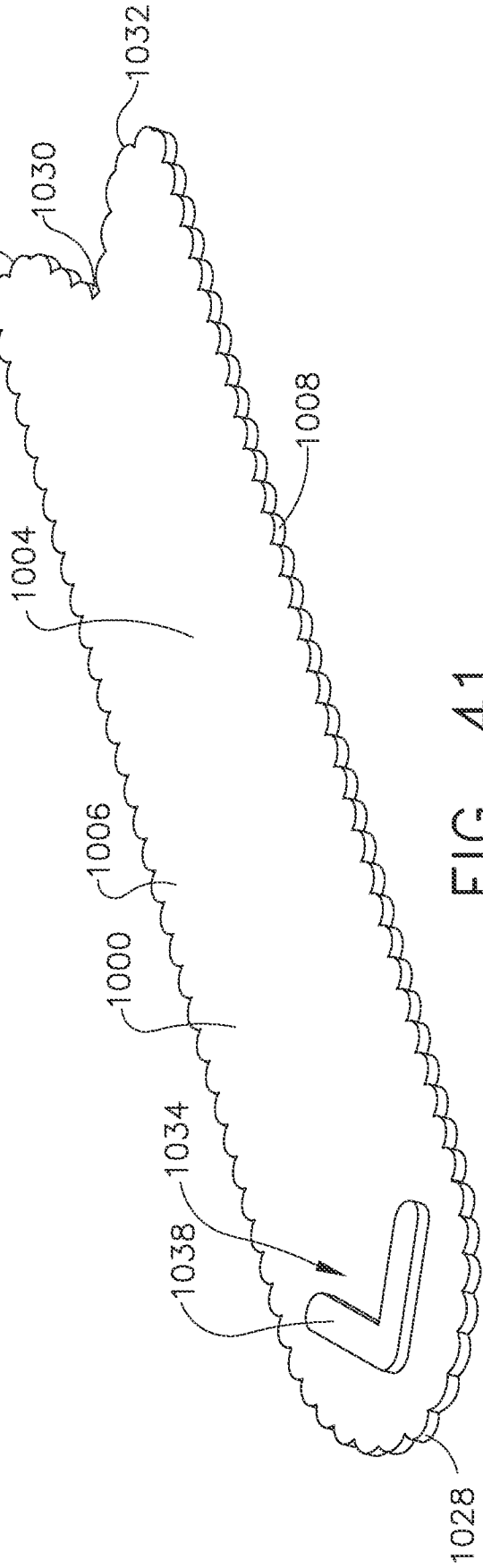


FIG. 41

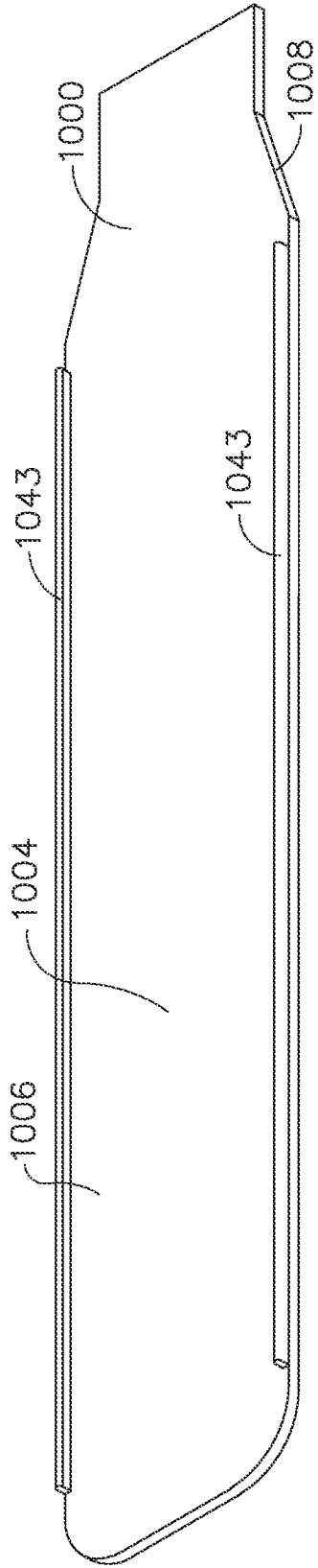


FIG. 42

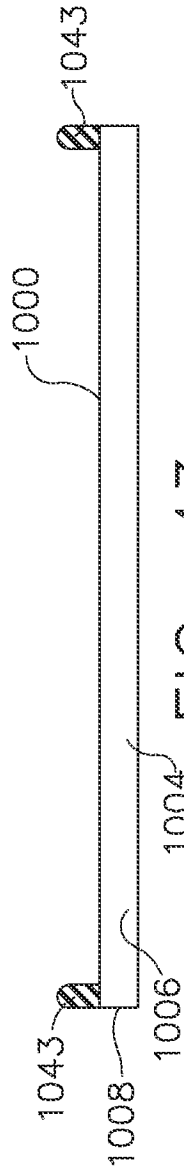


FIG. 43

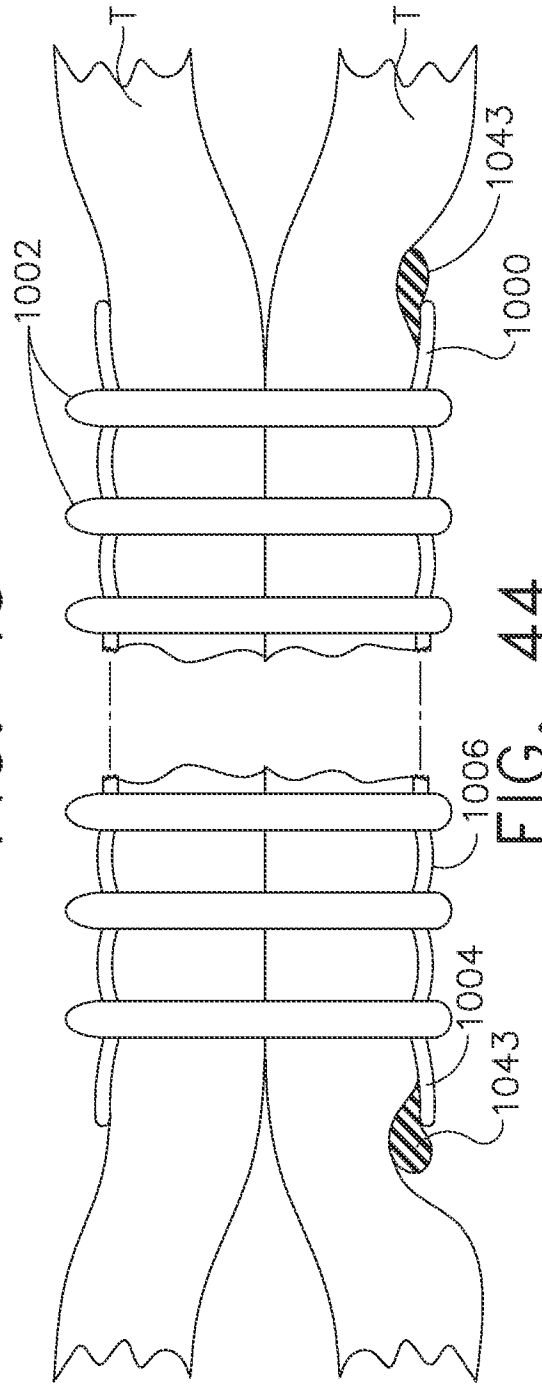


FIG. 44

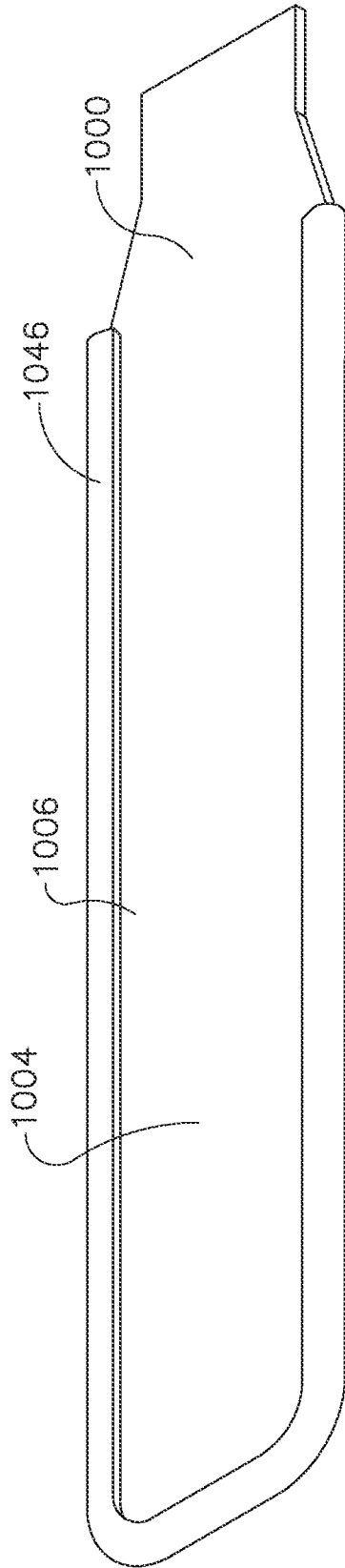


FIG. 45

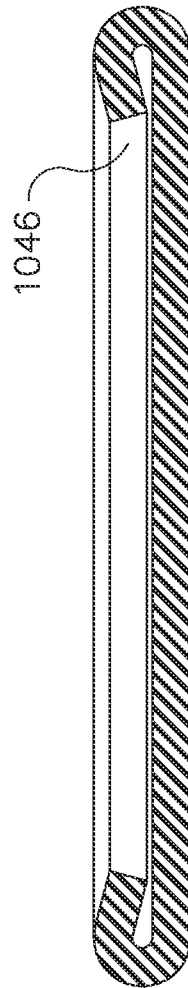


FIG. 46

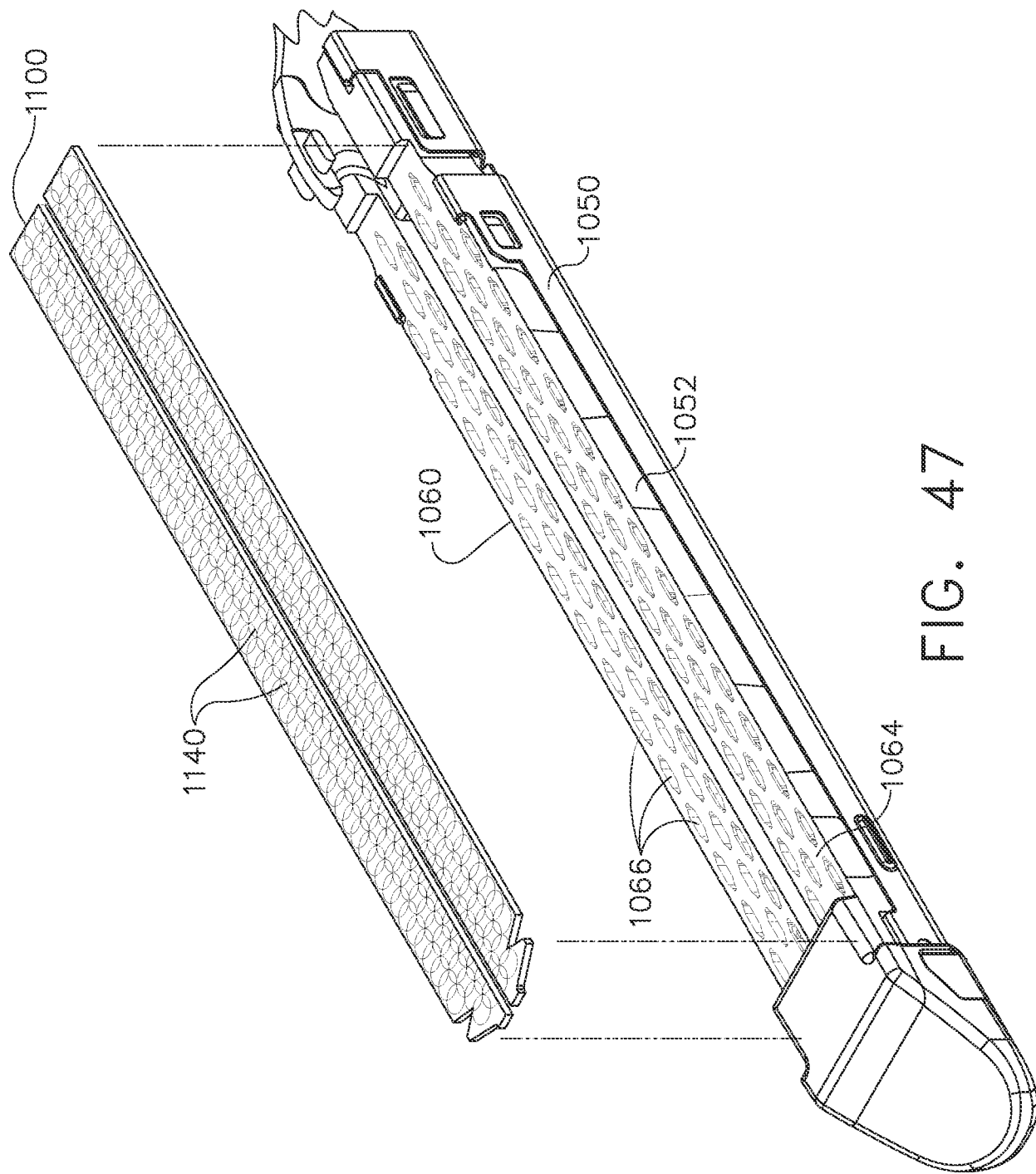


FIG. 47



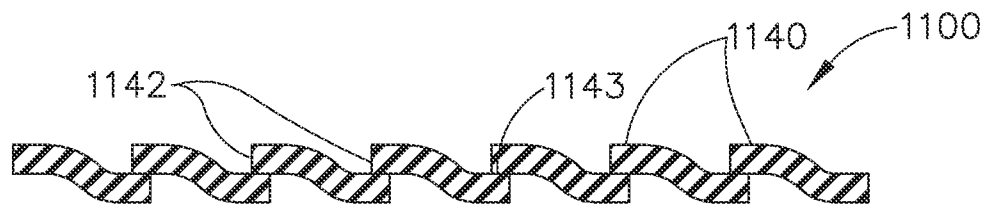


FIG. 48

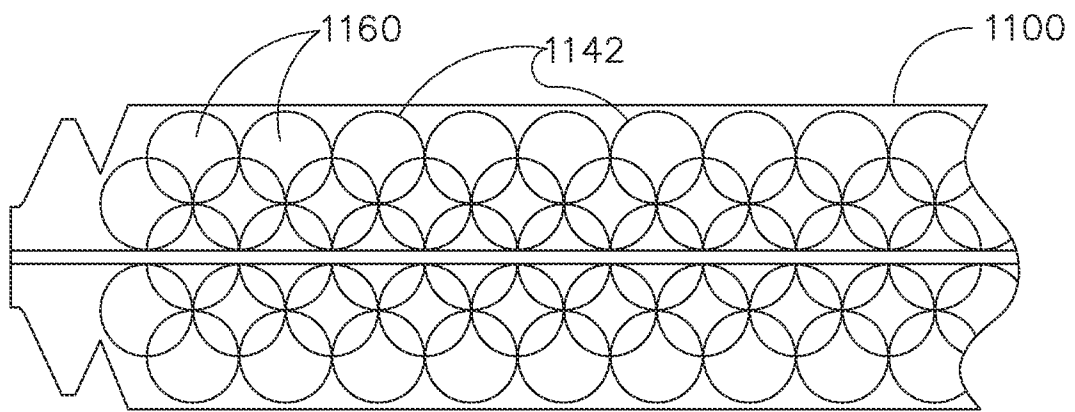


FIG. 49

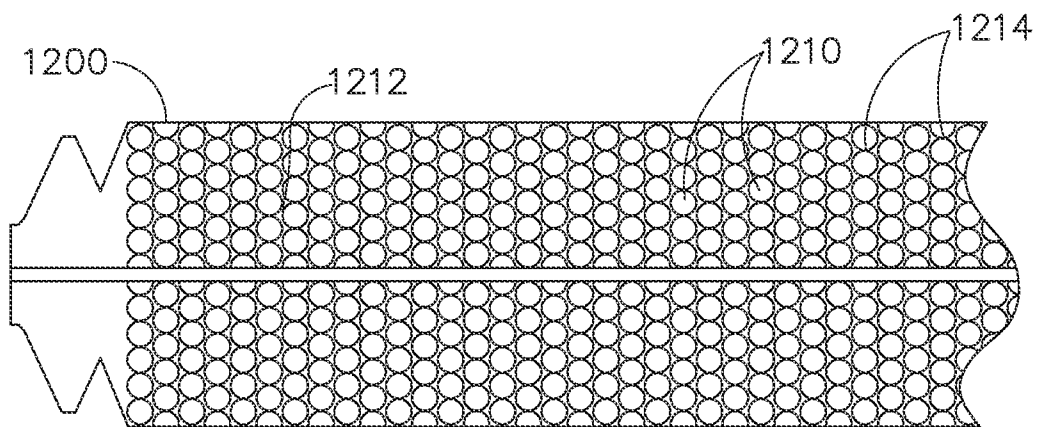


FIG. 50

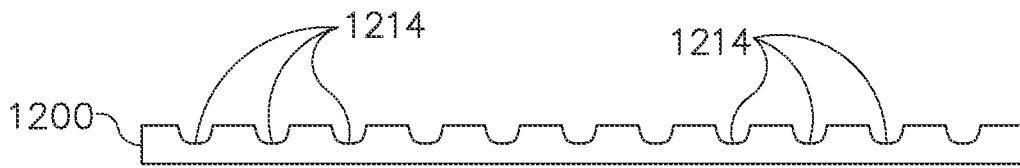


FIG. 51

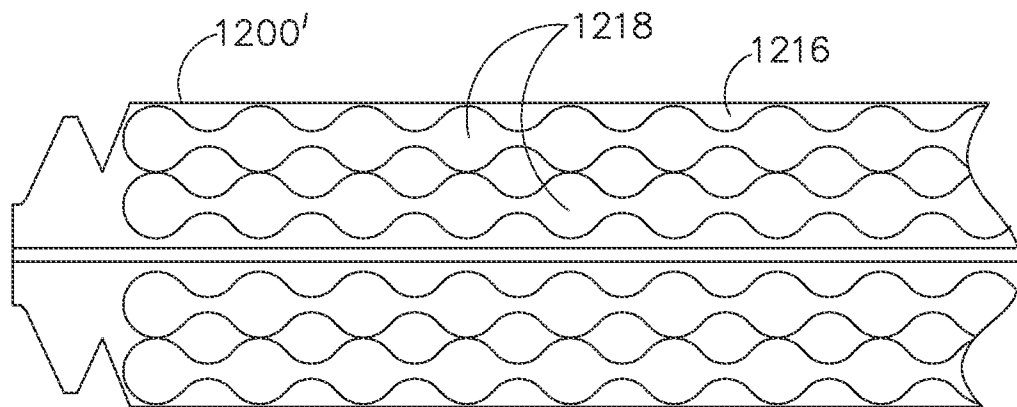


FIG. 52

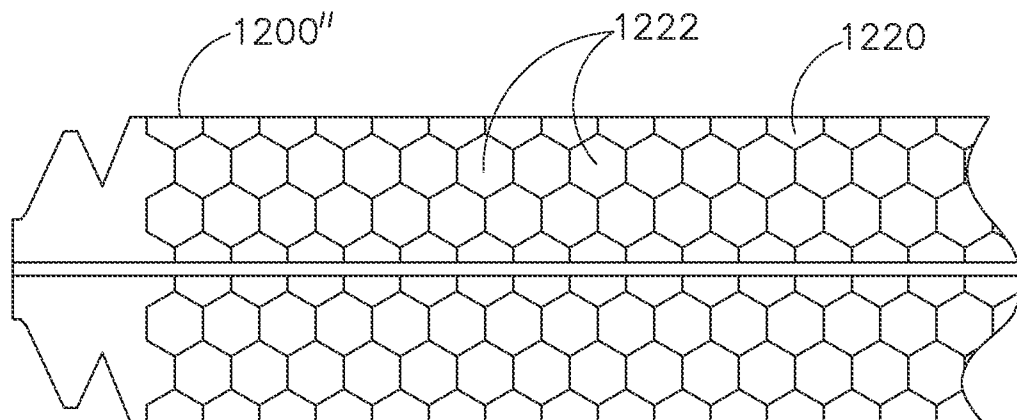


FIG. 53

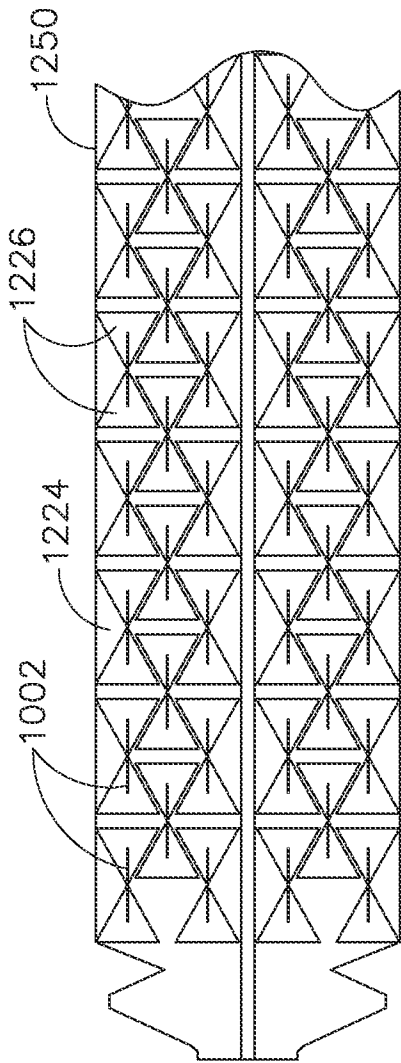


FIG. 54

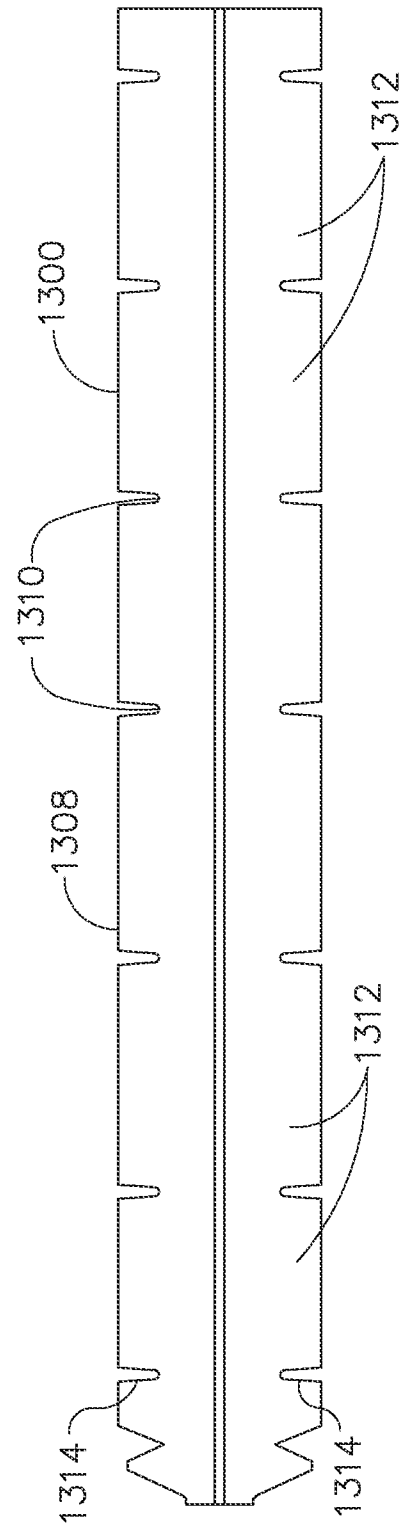


FIG. 55

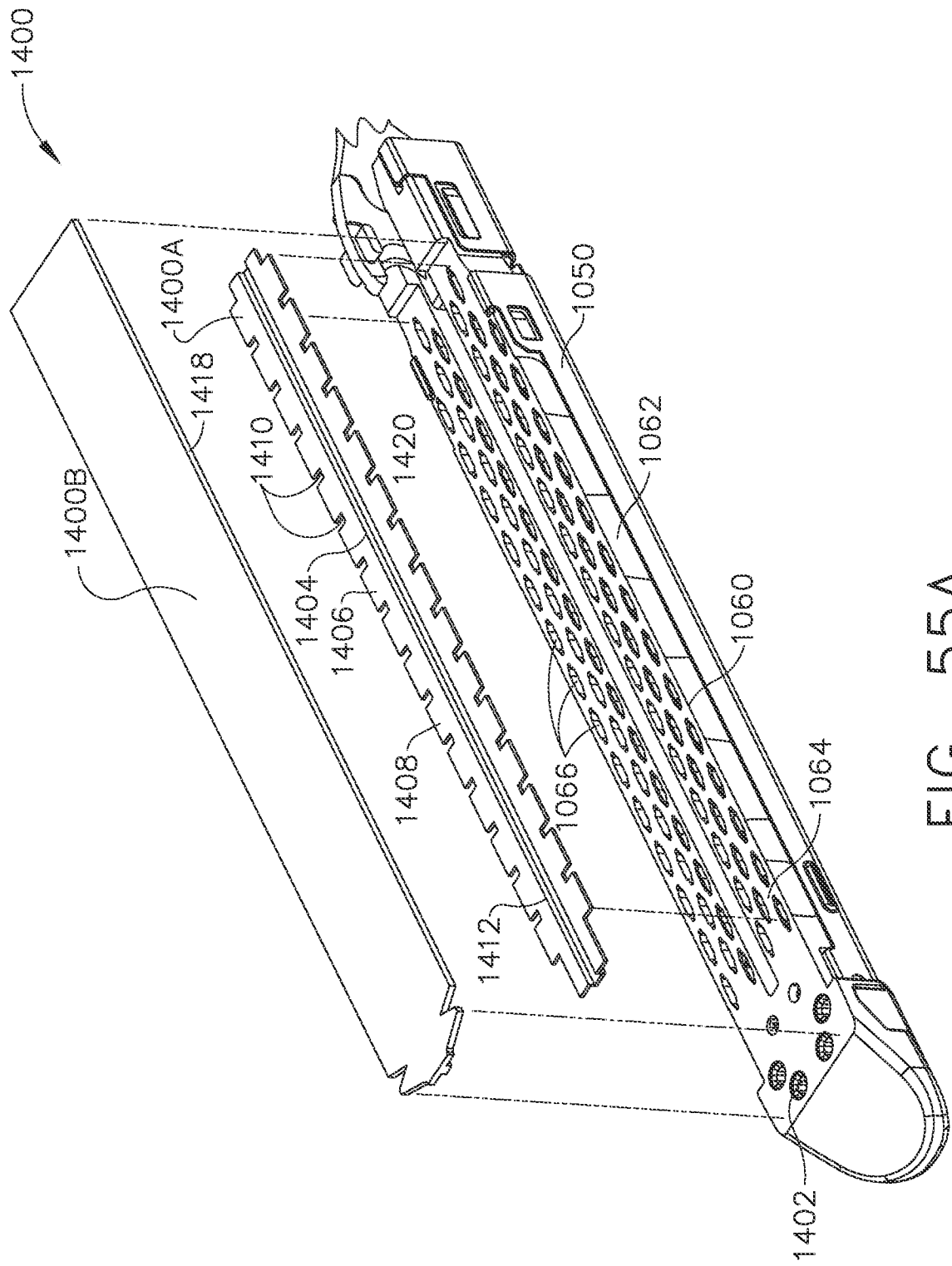


FIG. 55A

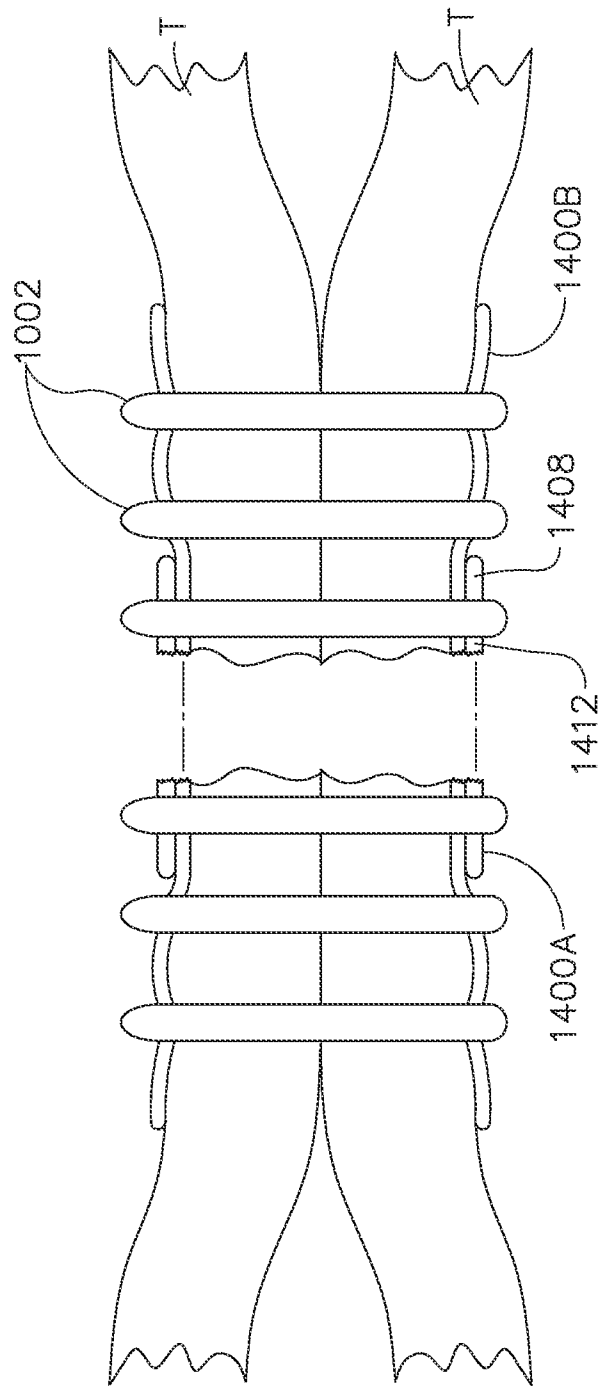


FIG. 55B

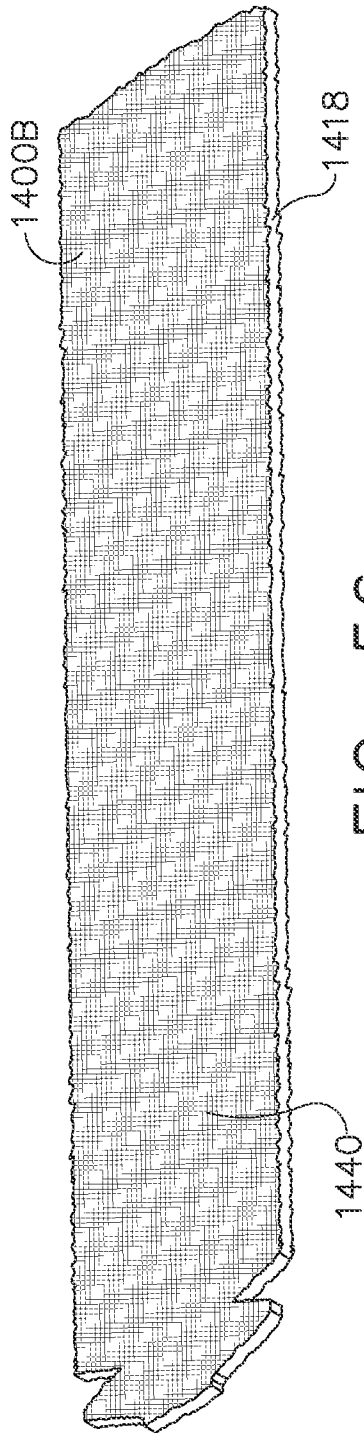


FIG. 56

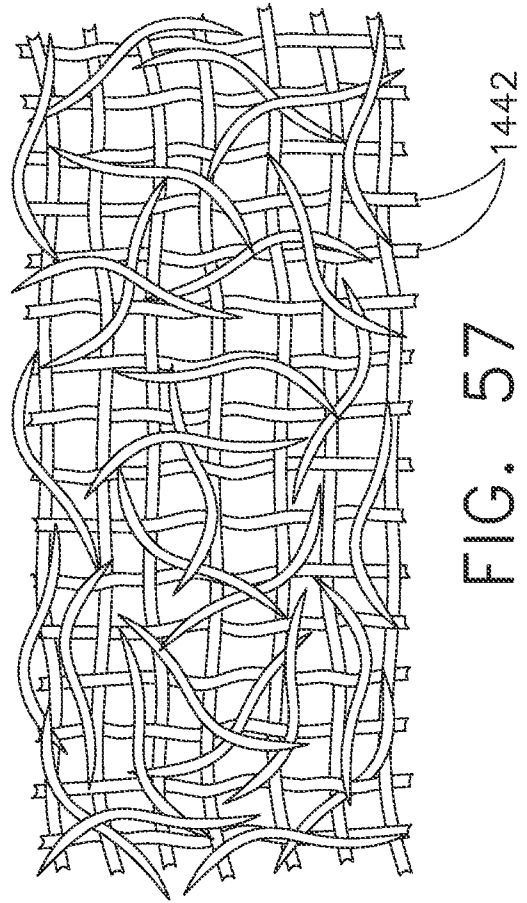


FIG. 57

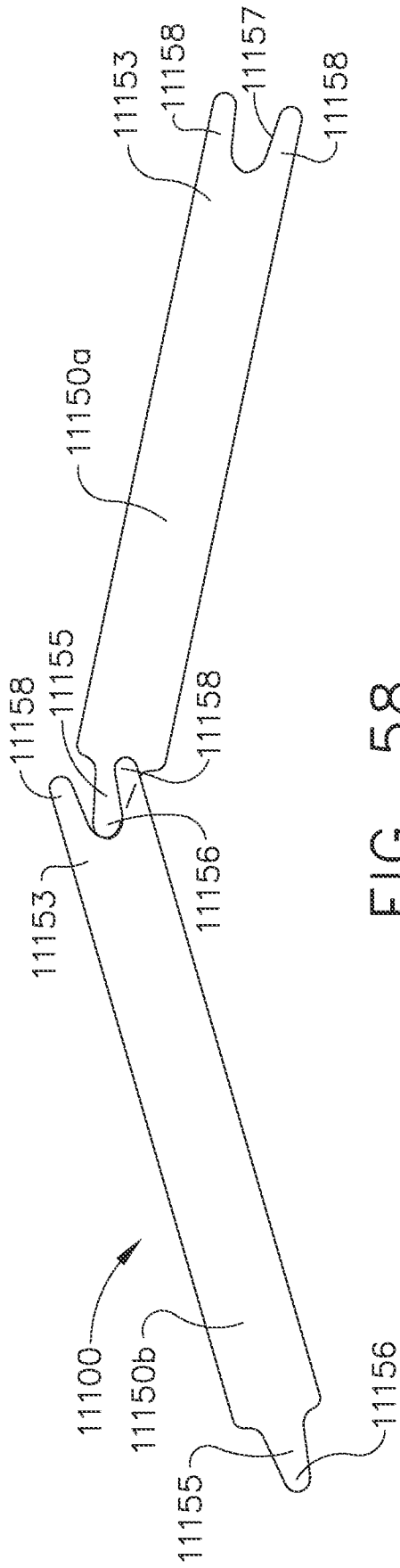


FIG. 58

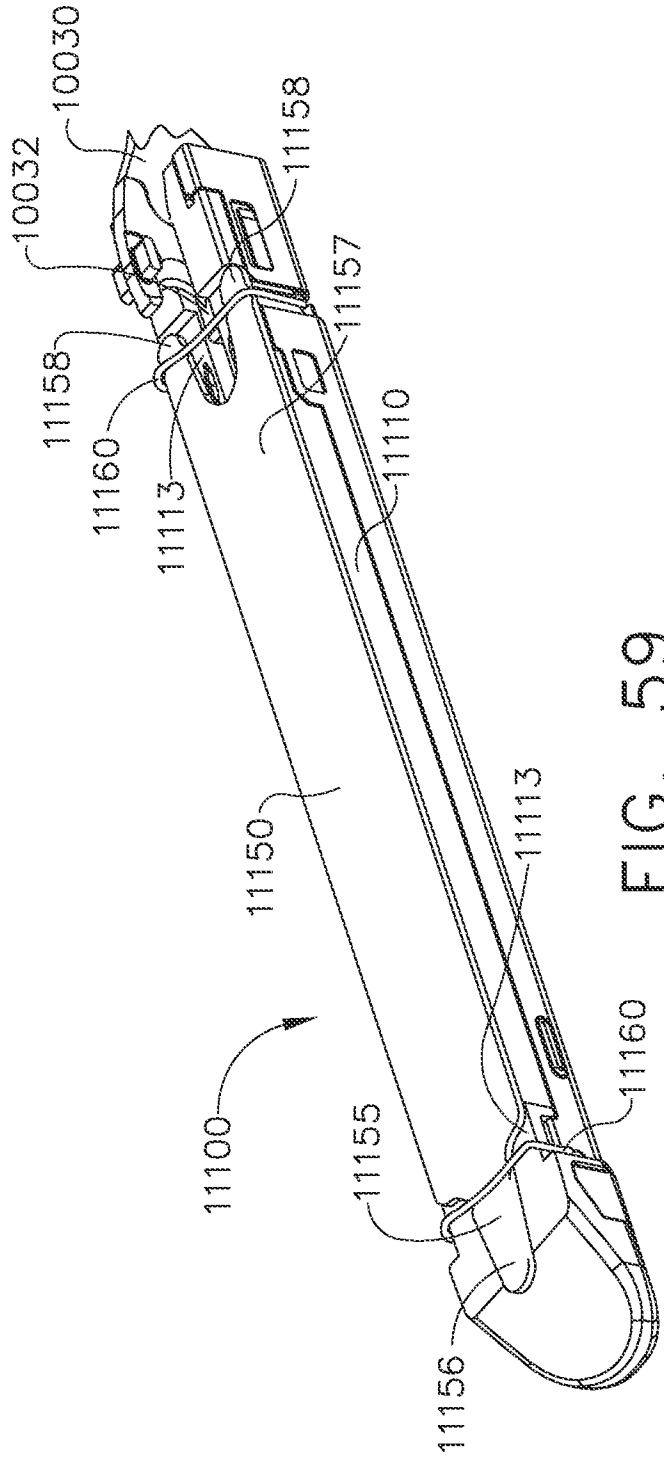


FIG. 59

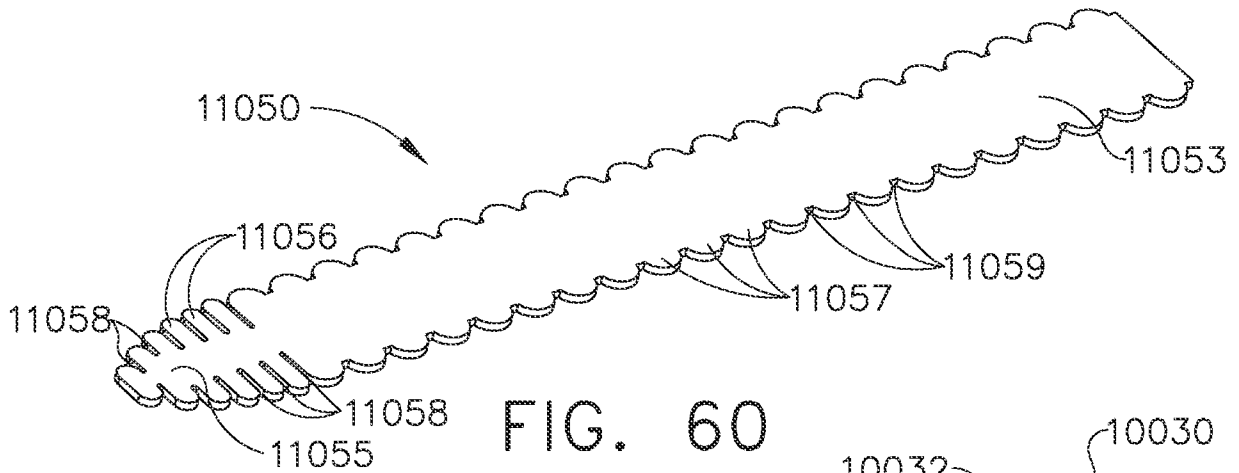


FIG. 60

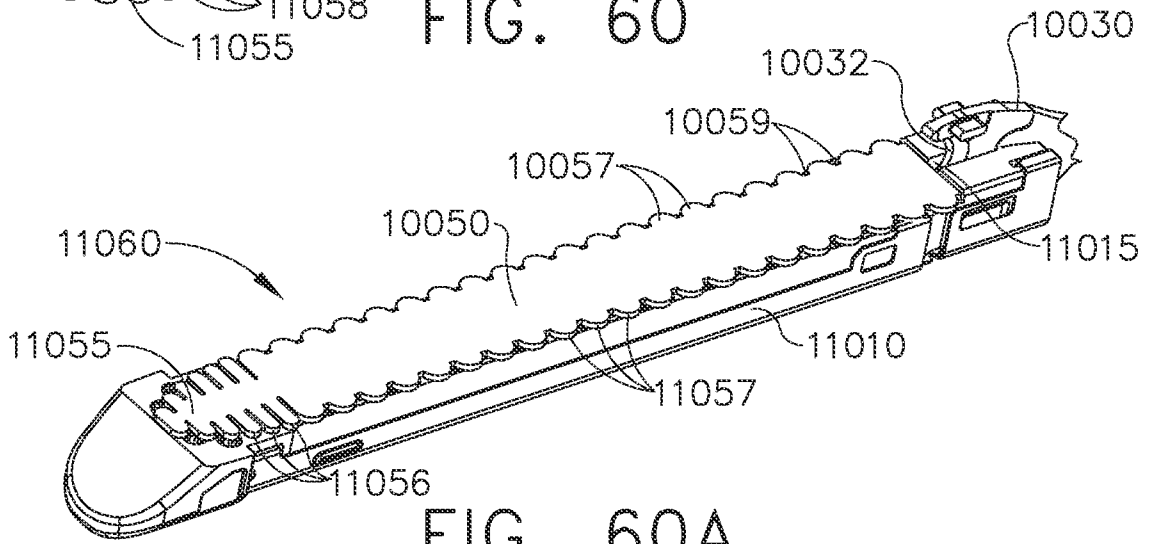


FIG. 60A

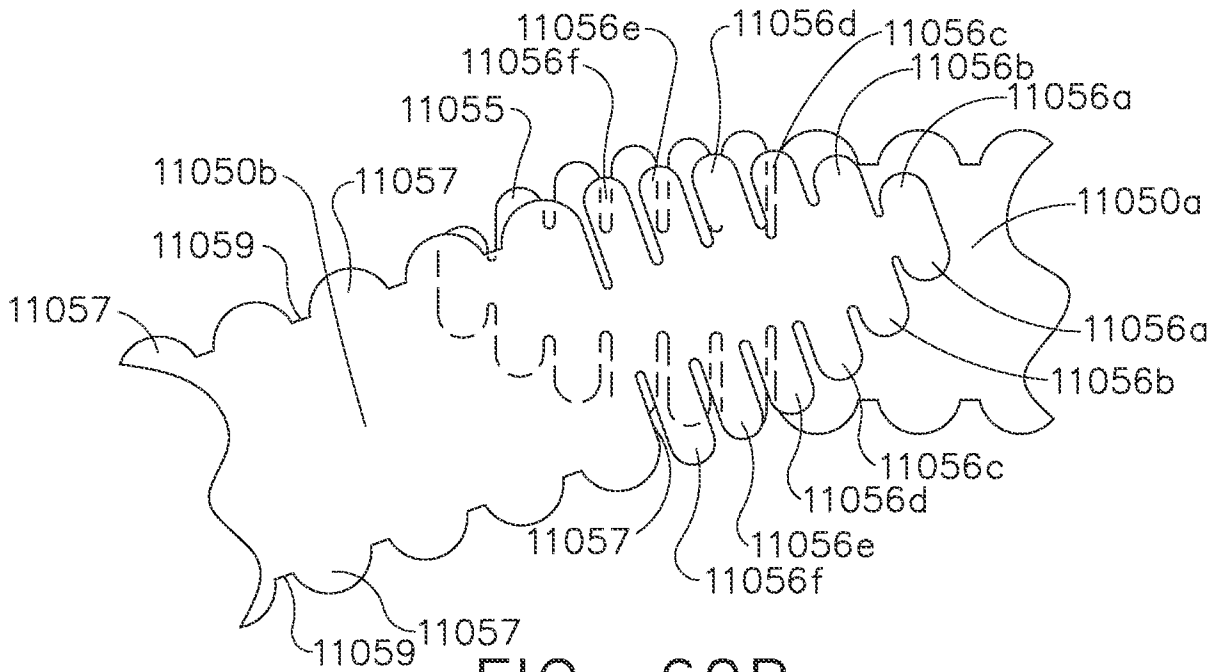


FIG. 60B



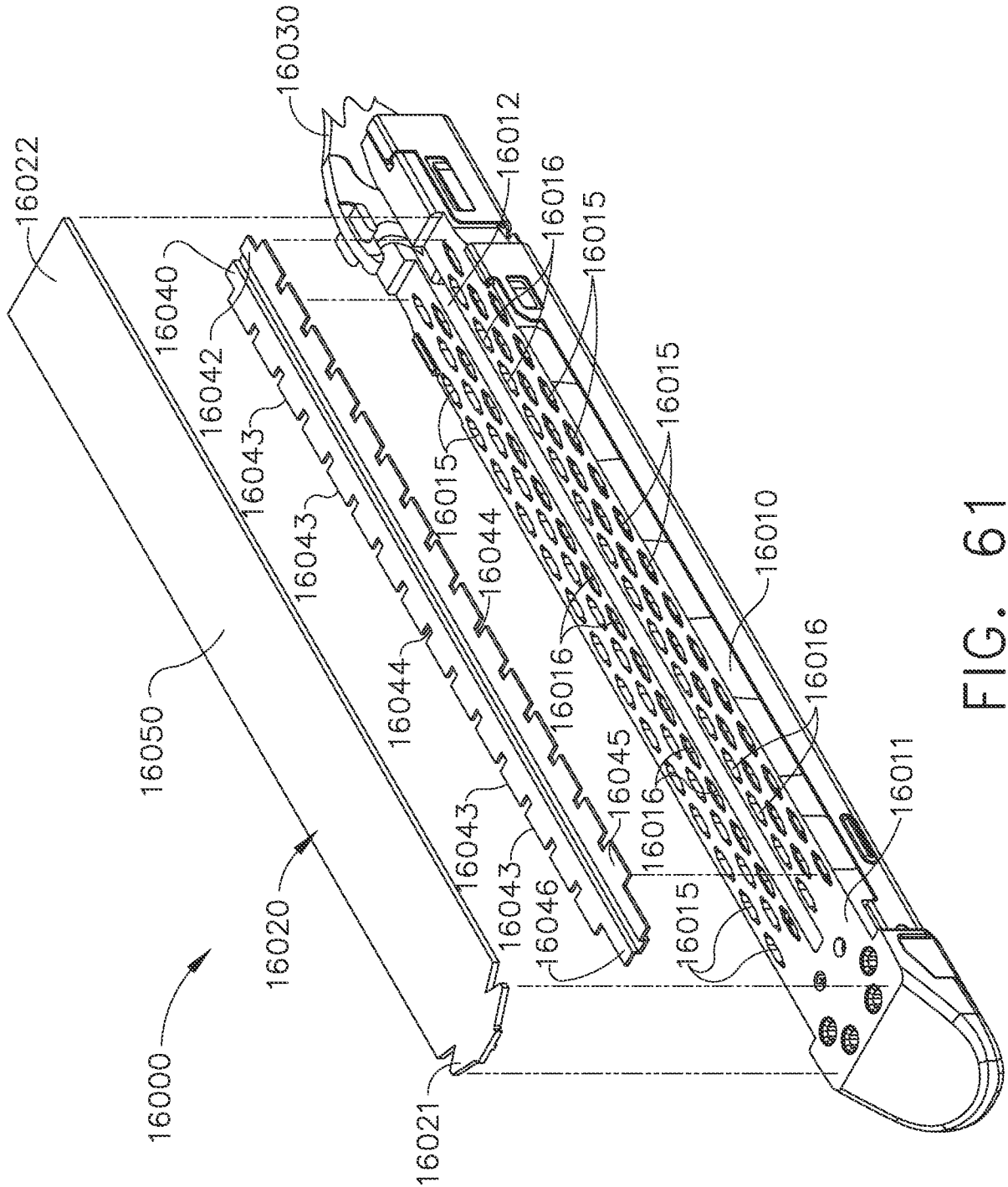


FIG. 61

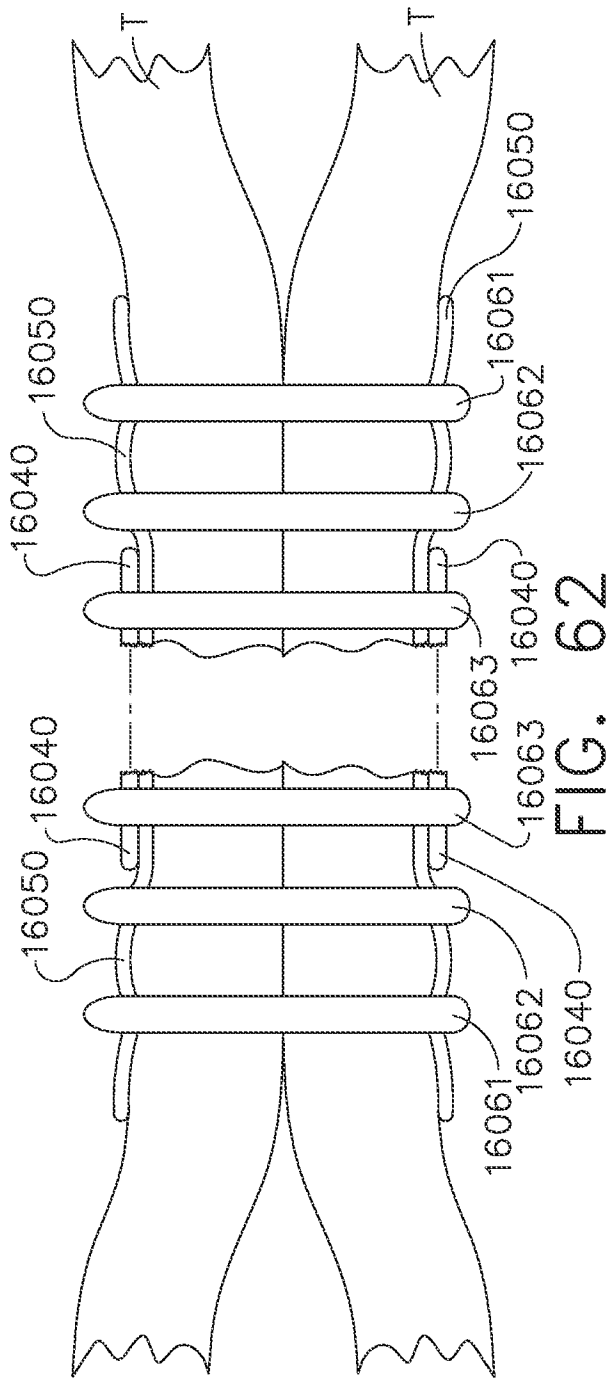


FIG. 62

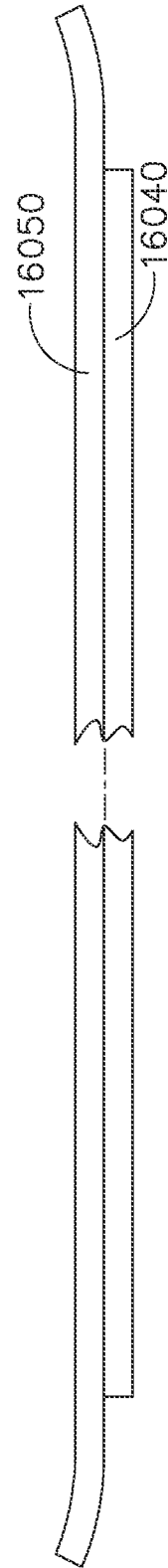


FIG. 63

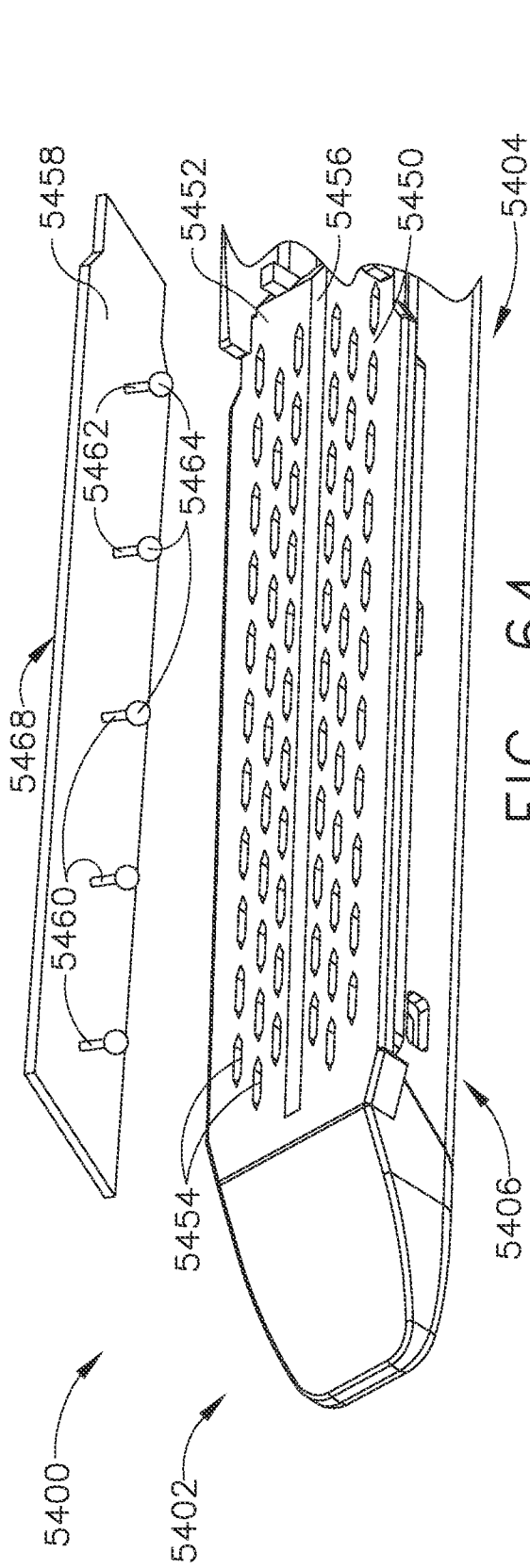


FIG. 64

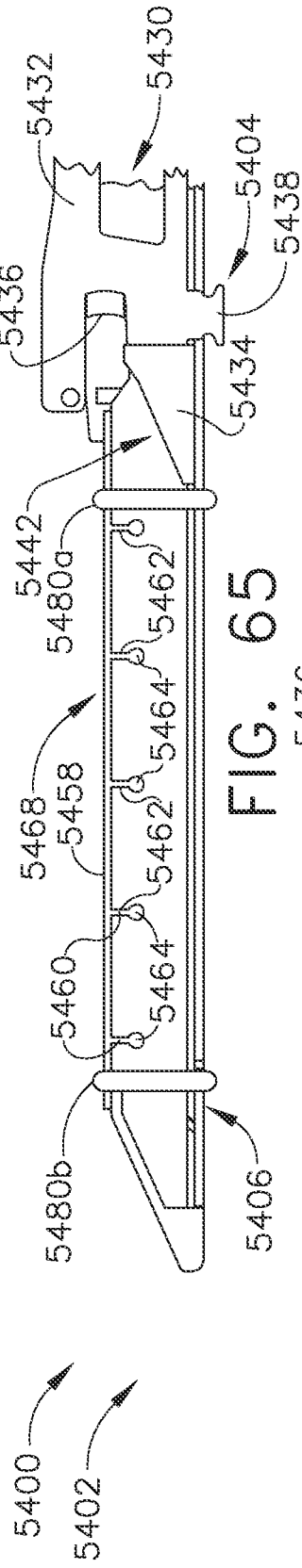


FIG. 65

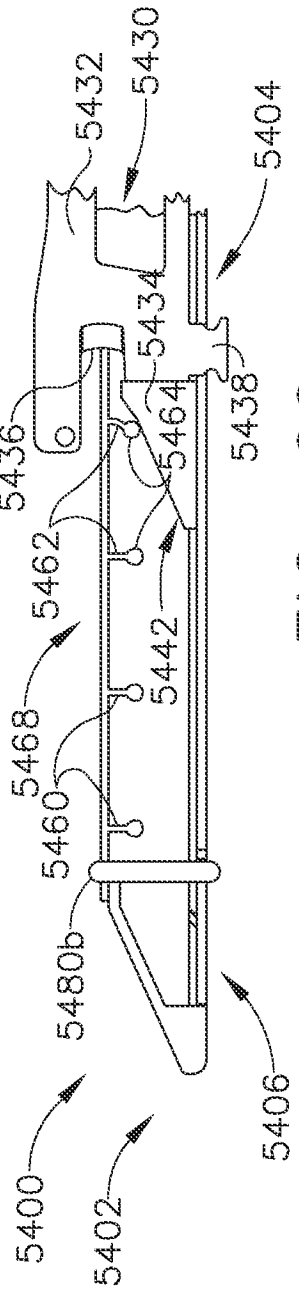


FIG. 66

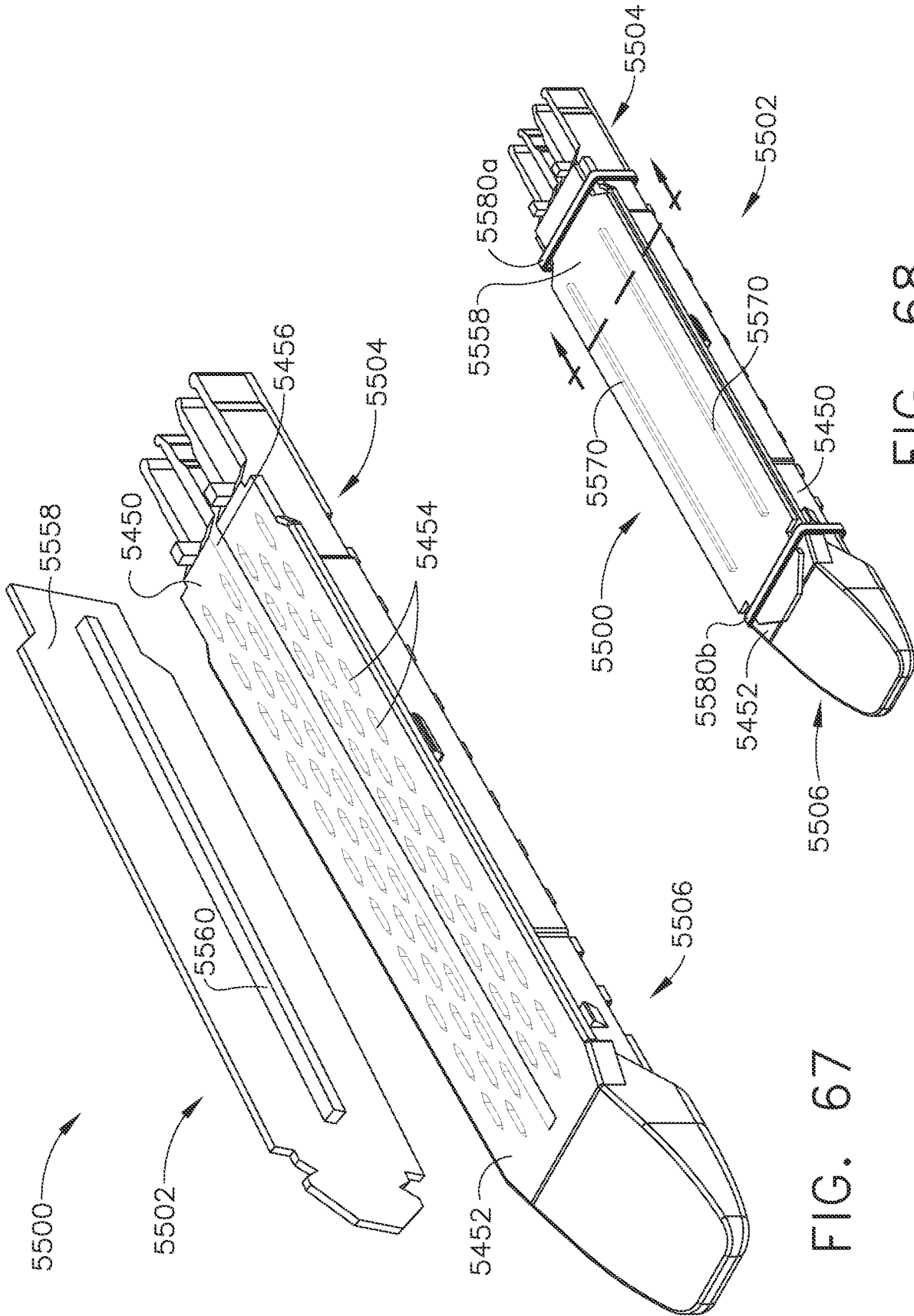


FIG. 67

FIG. 68

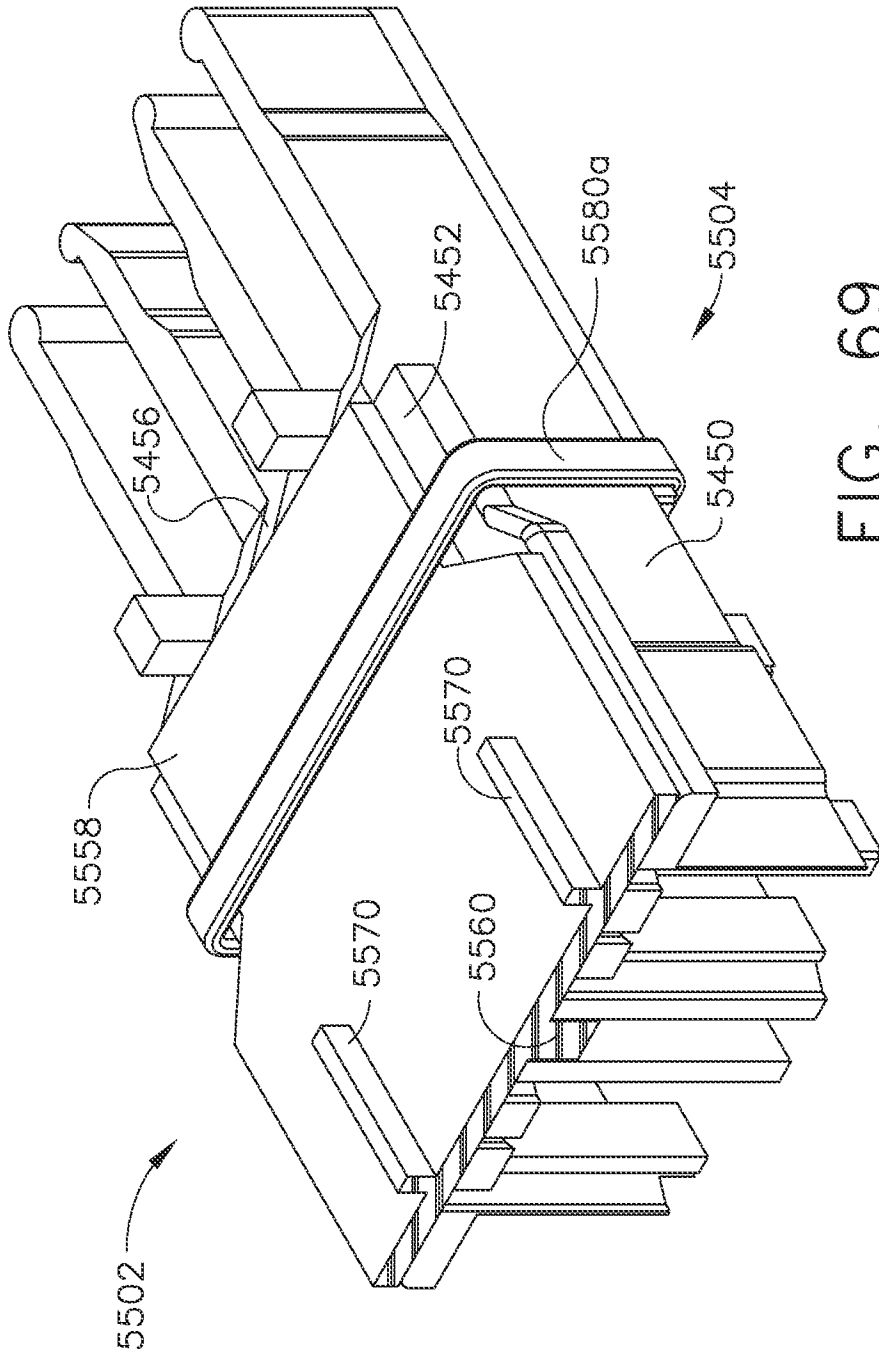


FIG. 69

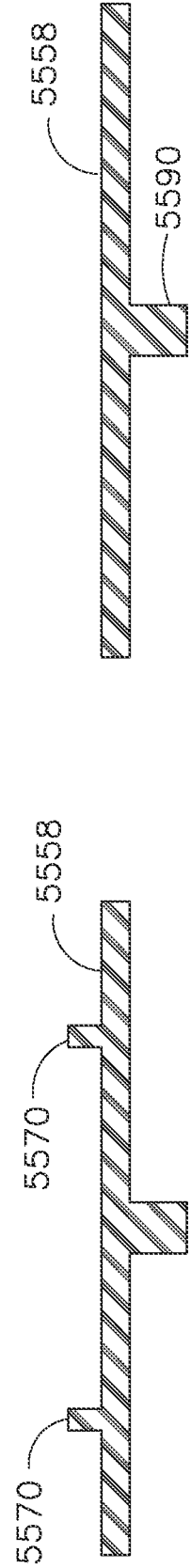


FIG. 71

FIG. 70

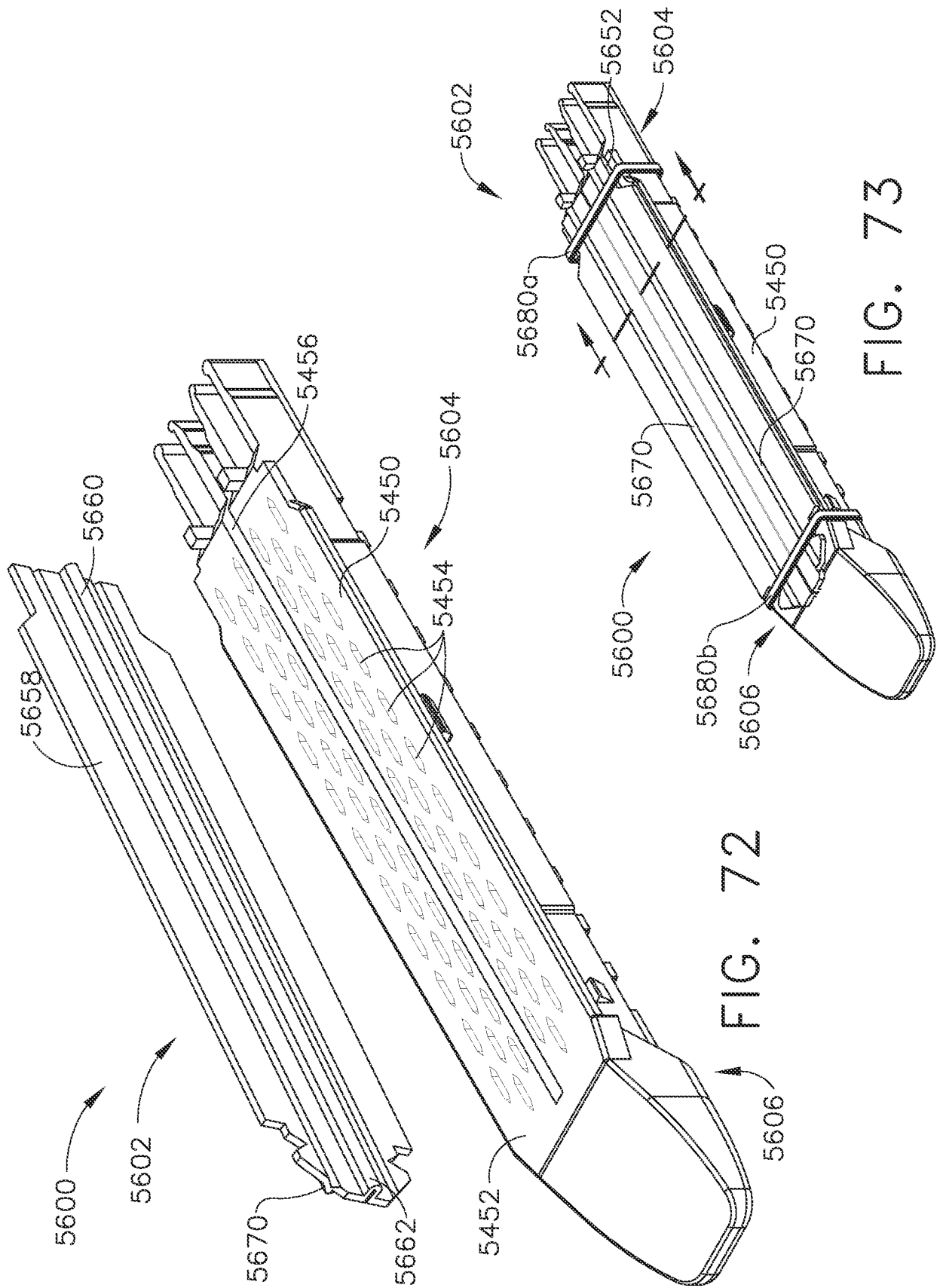


FIG. 73

FIG. 72

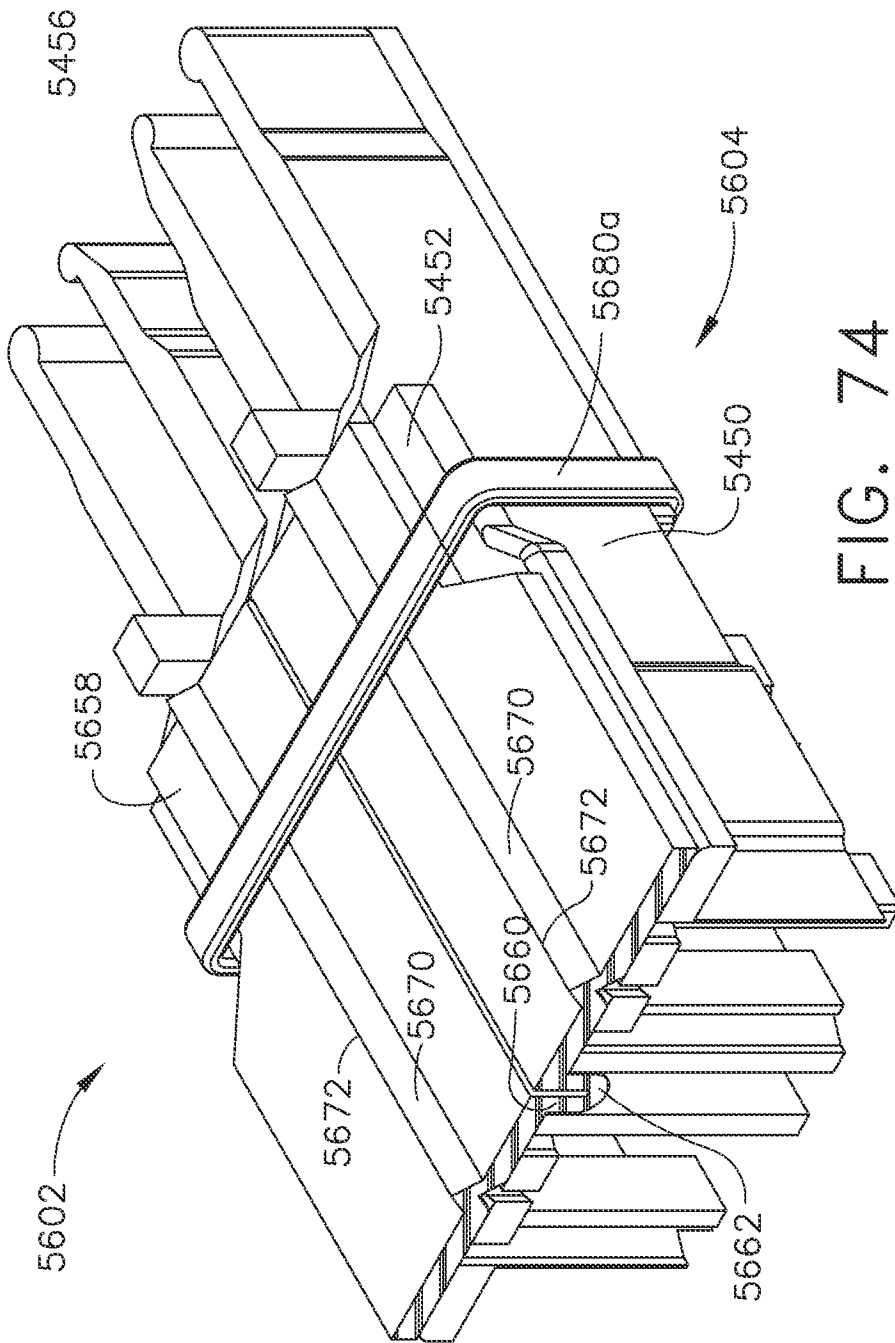


FIG. 74

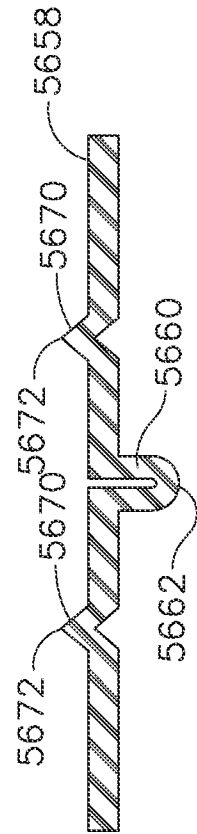


FIG. 75

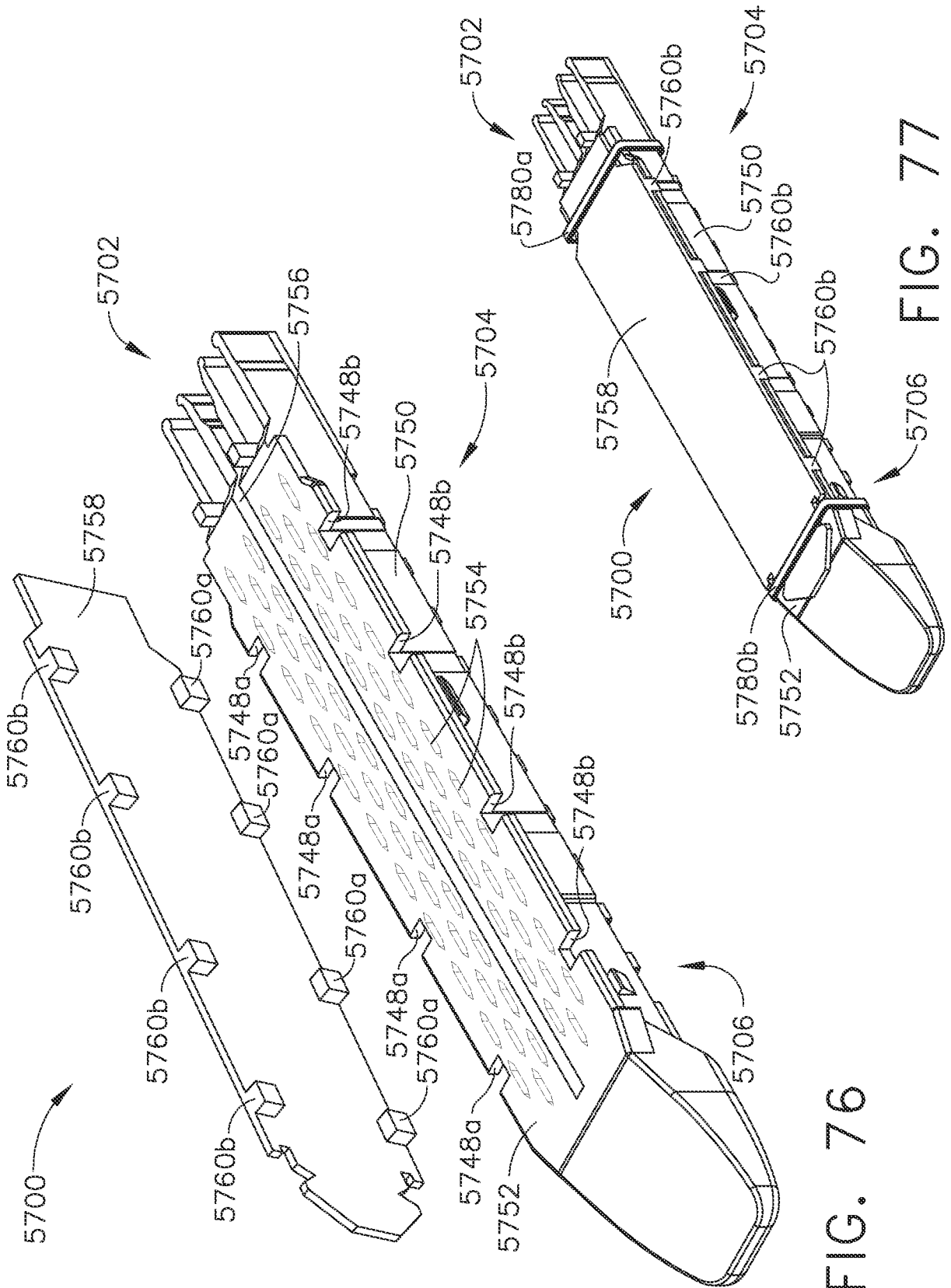


FIG. 76

FIG. 77



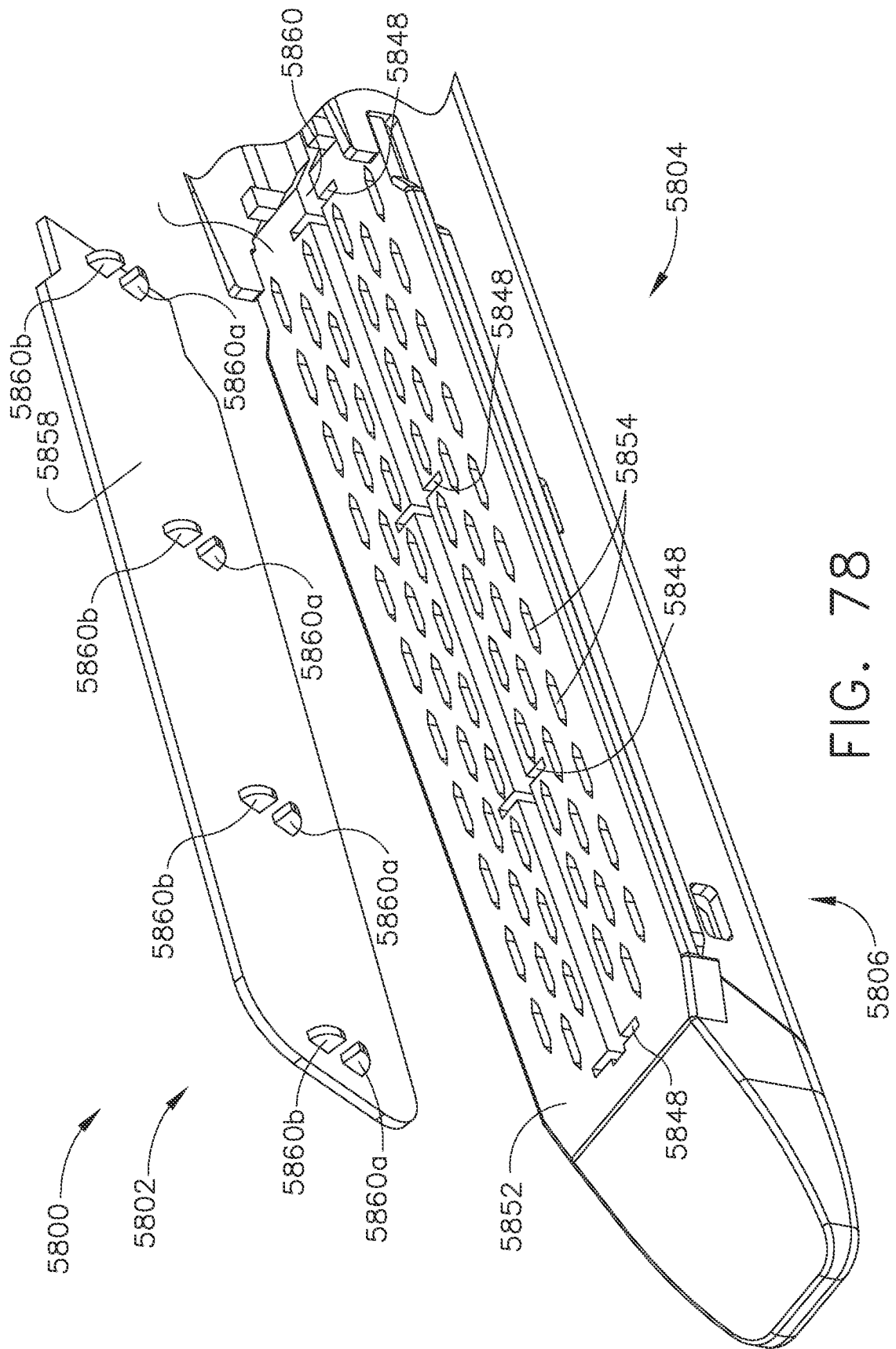


FIG. 78

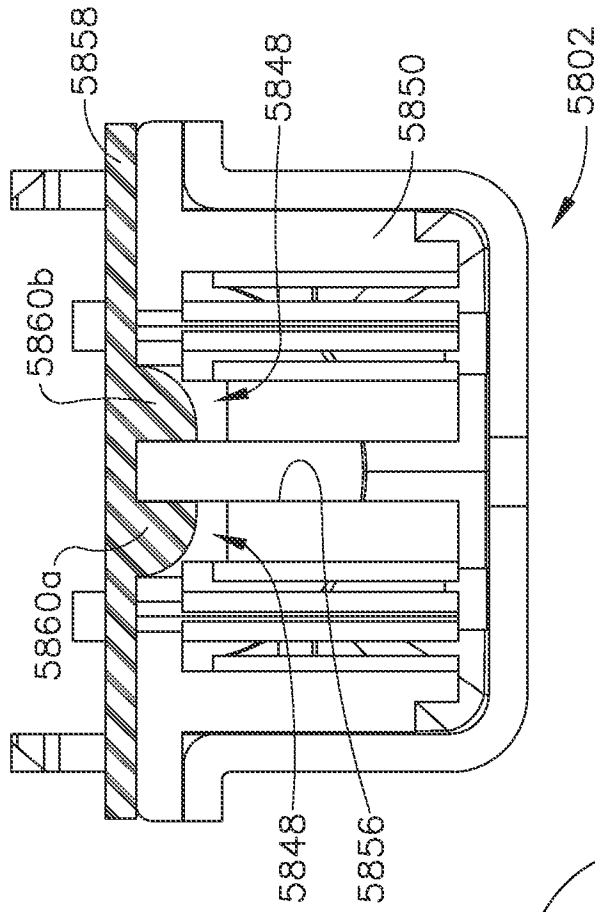


FIG. 79

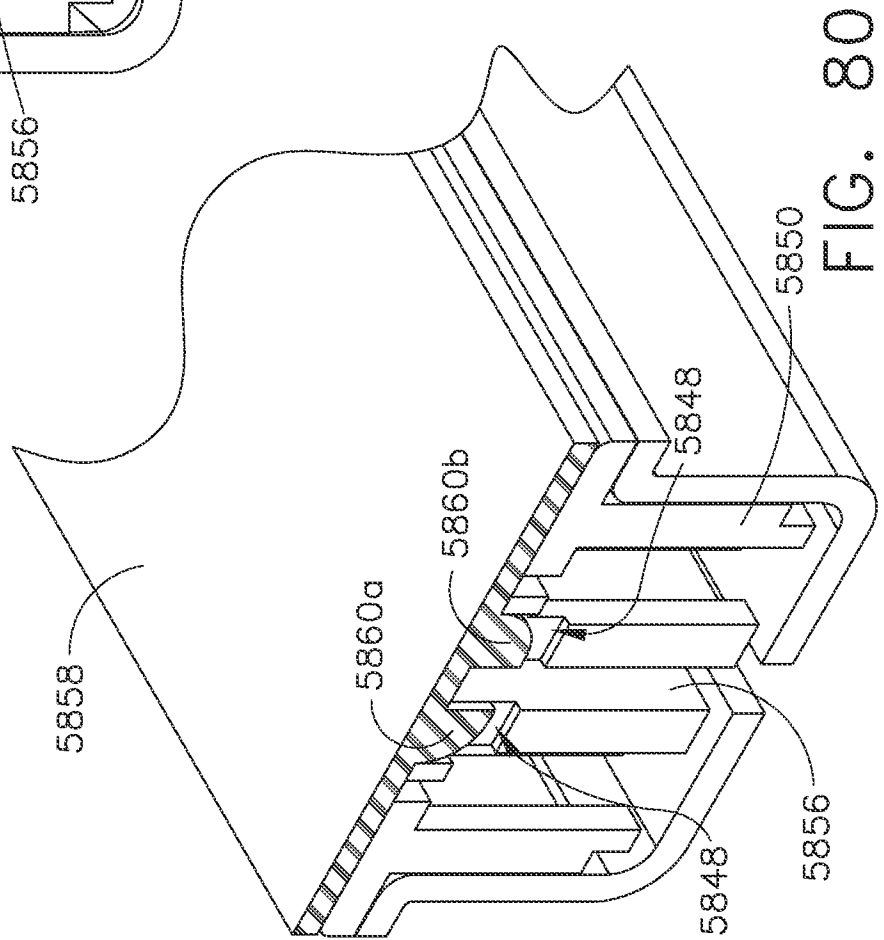


FIG. 80

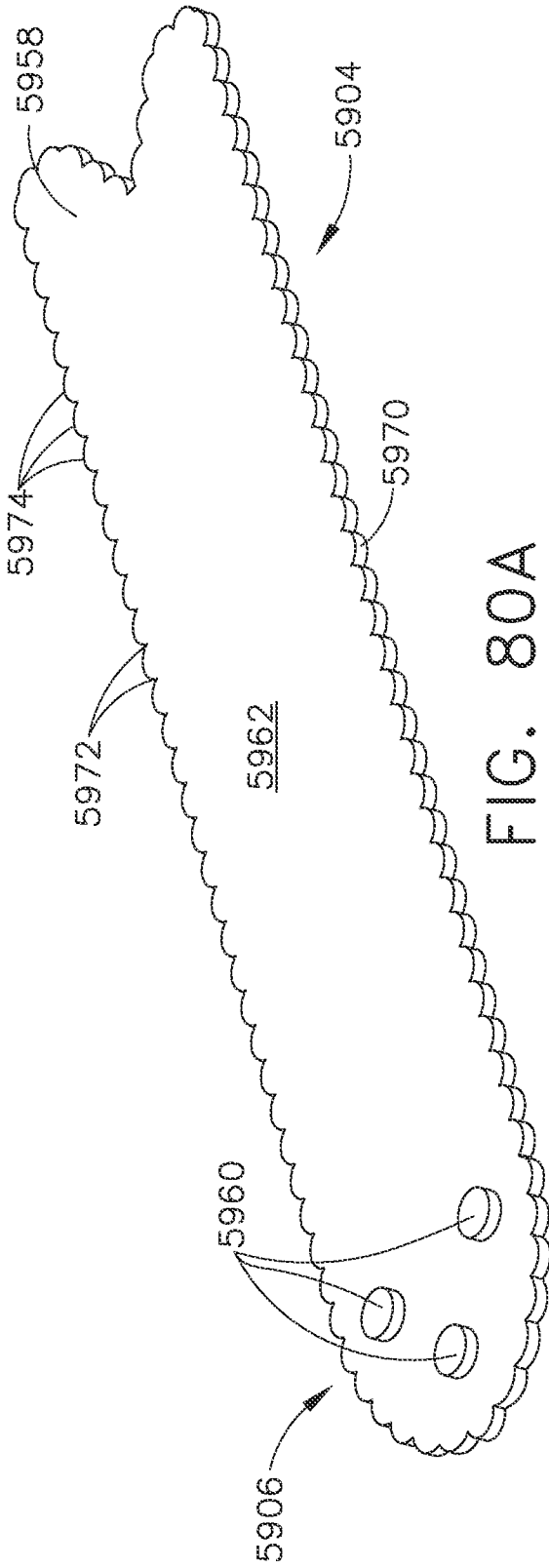


FIG. 80A

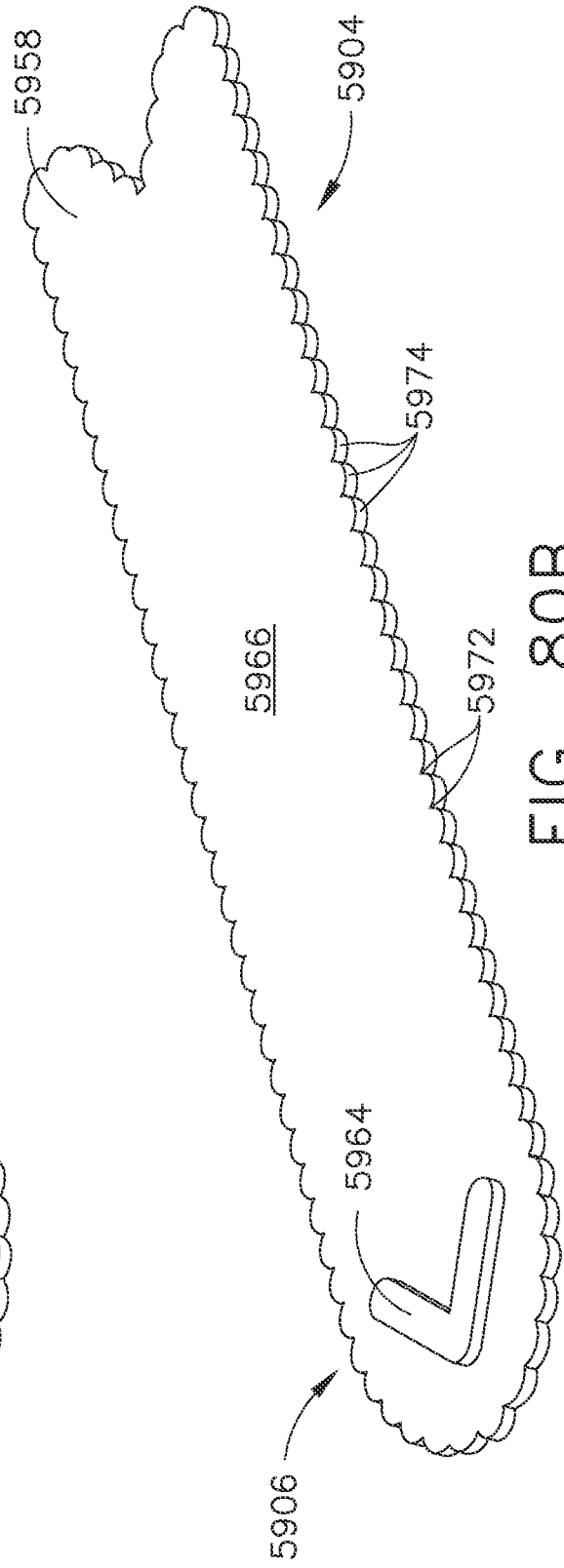


FIG. 80B

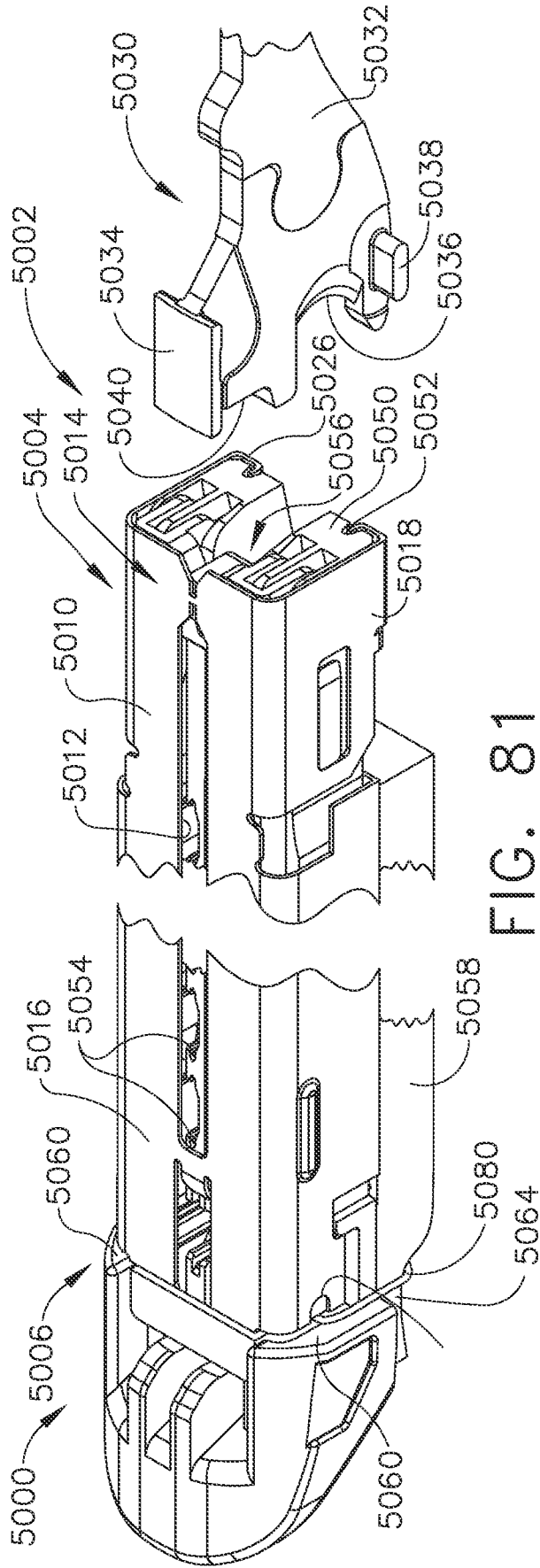


FIG. 81

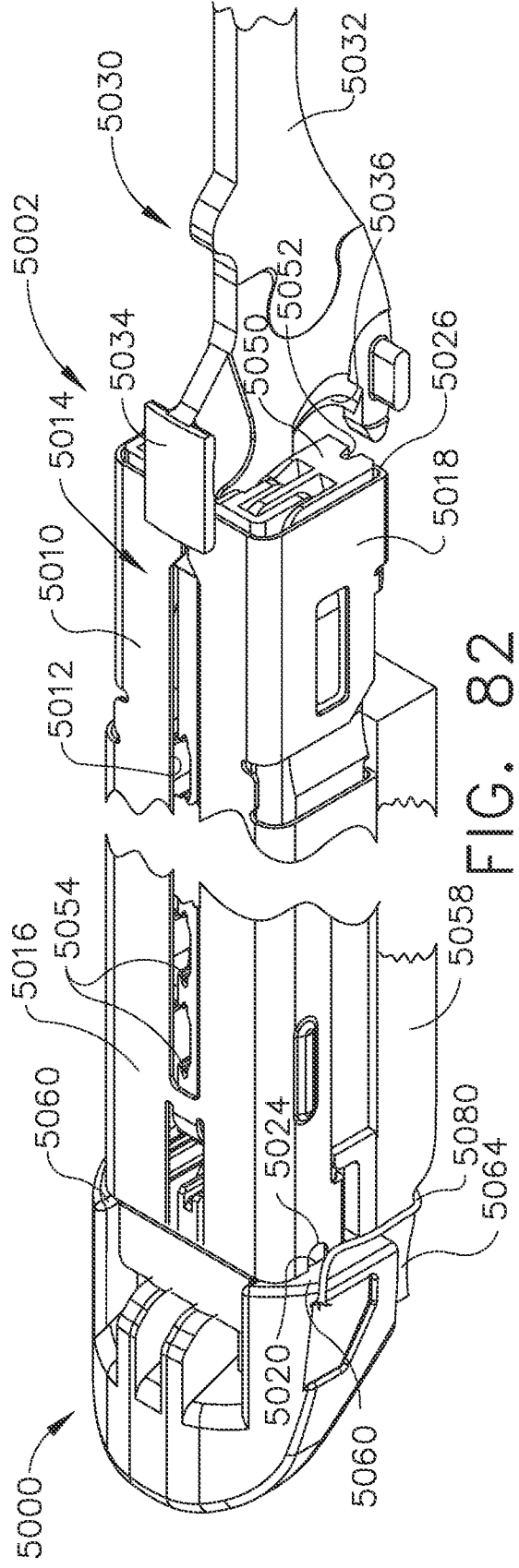


FIG. 82

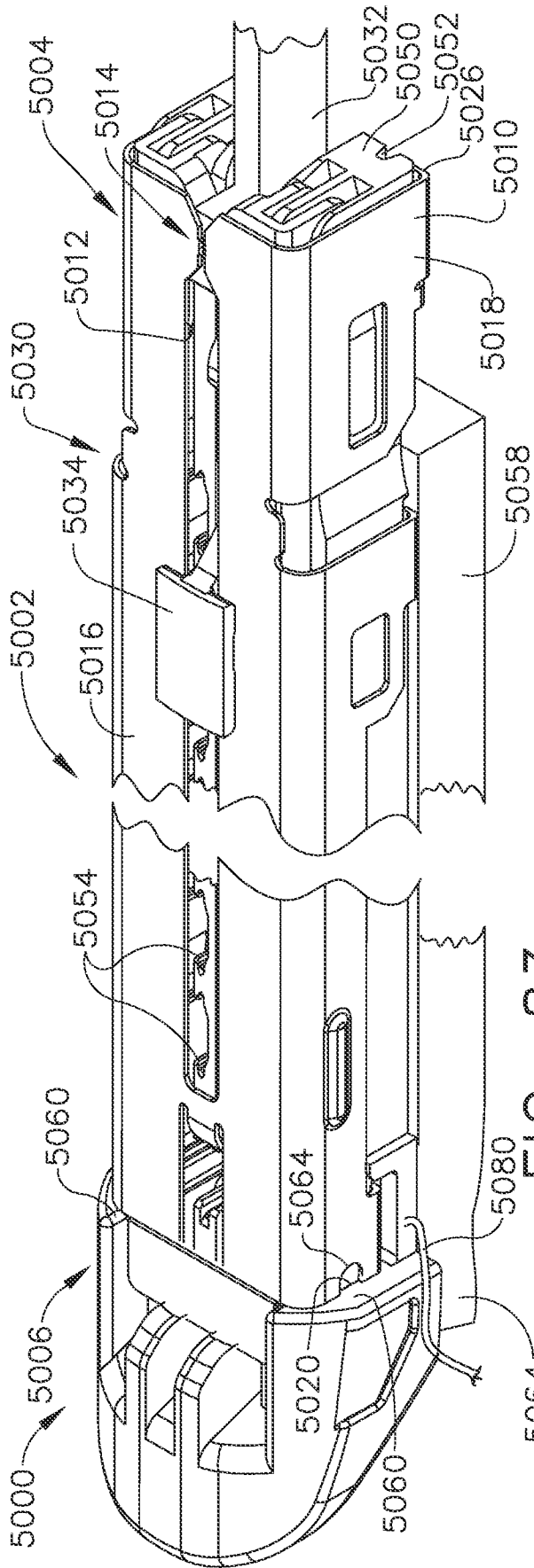


FIG. 83

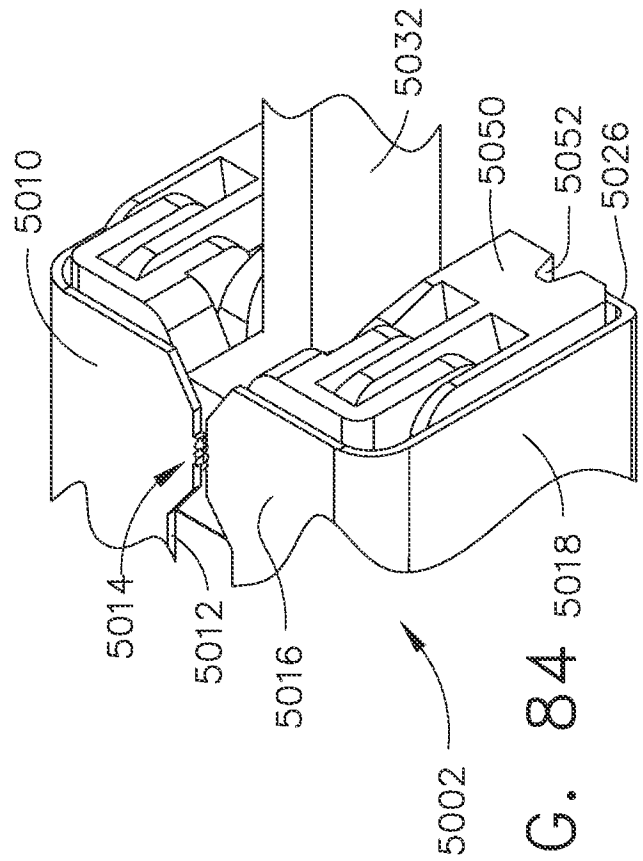


FIG. 84



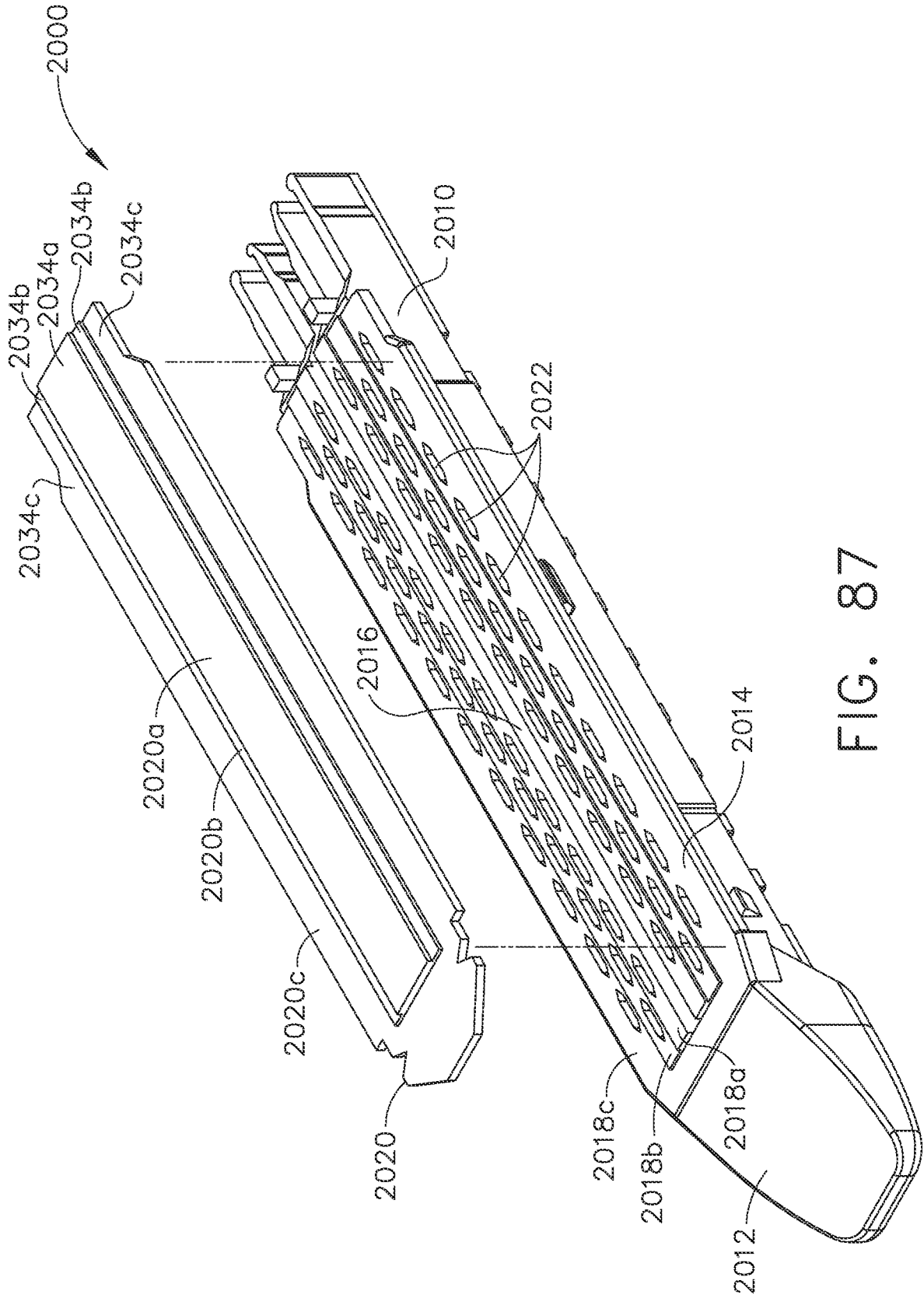


FIG. 87

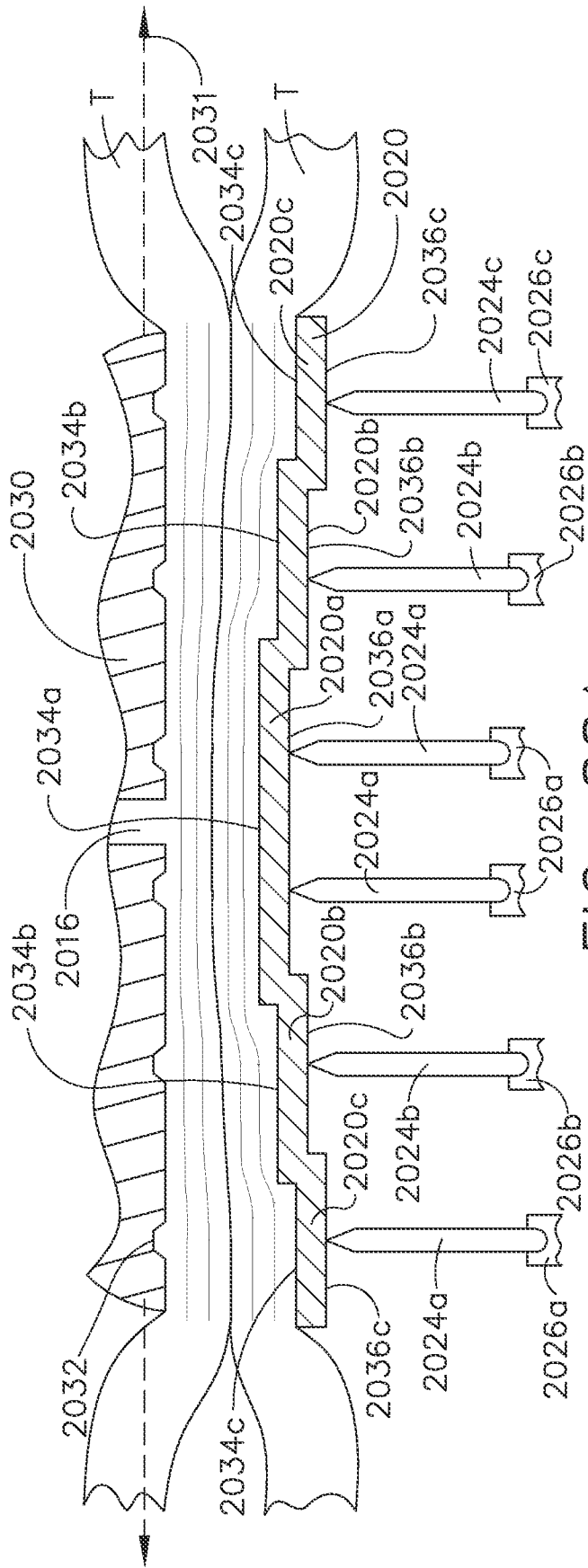


FIG. 88A

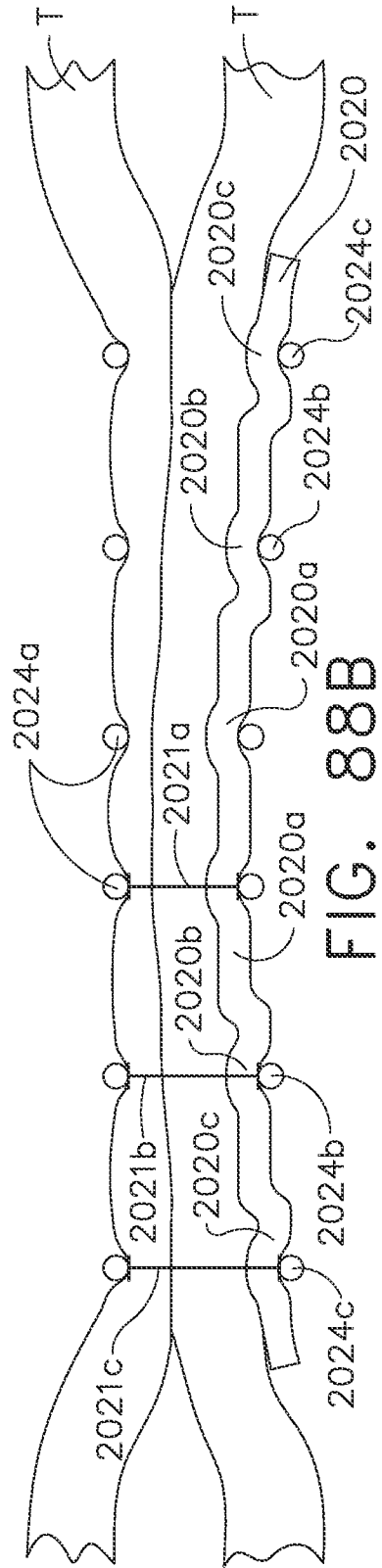


FIG. 88B



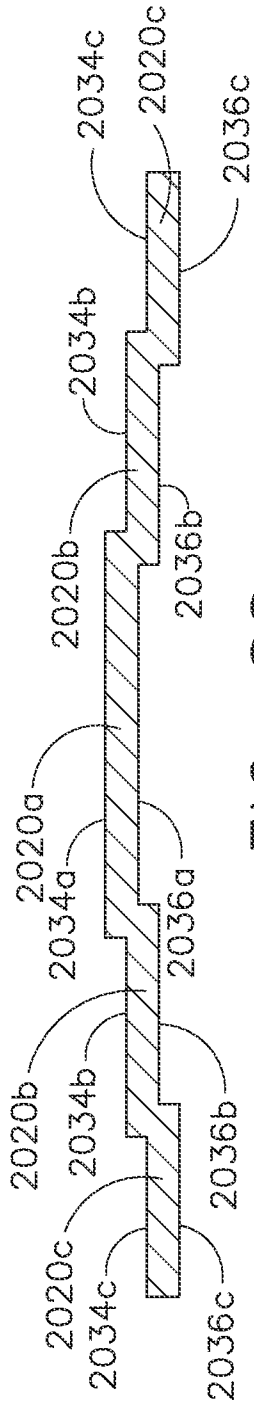


FIG. 88

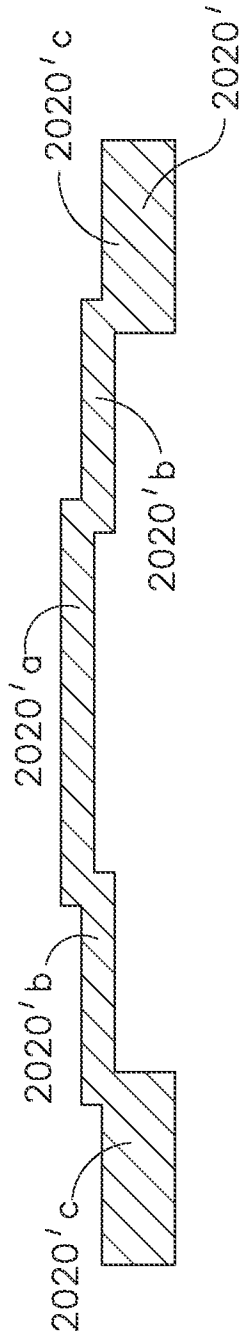


FIG. 89

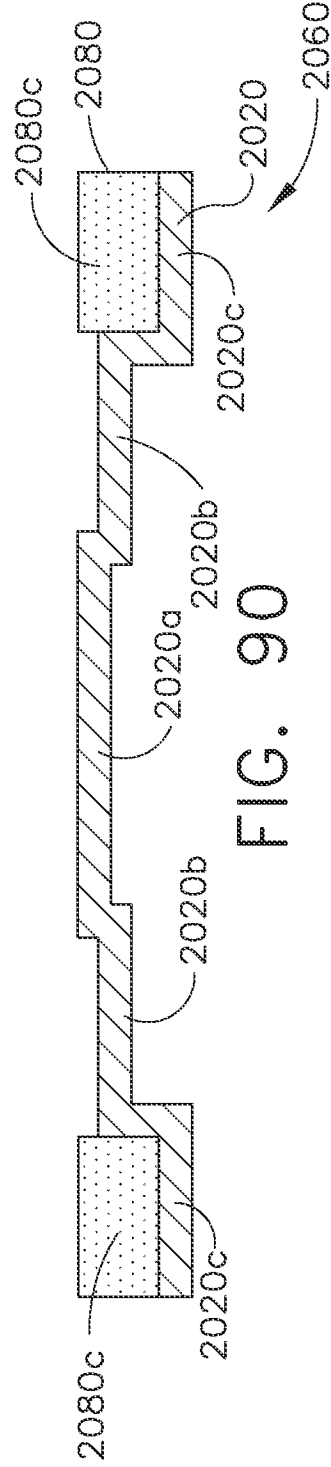


FIG. 90

INTERNATIONAL SEARCH REPORT

International application No  
PCT/US2014/014614

A. CLASSIFICATION OF SUBJECT MATTER  
INV. A61B17/072  
ADD. A61B19/00

According to International Patent Classification (IPC) or to both national classification and IPC

B. FIELDS SEARCHED

Minimum documentation searched (classification system followed by classification symbols)  
A61B

Documentation searched other than minimum documentation to the extent that such documents are included in the fields searched

Electronic data base consulted during the international search (name of data base and, where practicable, search terms used)  
EPO-Internal, WPI Data

C. DOCUMENTS CONSIDERED TO BE RELEVANT

Category*	Citation of document, with indication, where appropriate, of the relevant passages	Relevant to claim No.
X	US 2009/134200 A1 (TARINELLI DANYEL [US] ET AL) 28 May 2009 (2009-05-28)  paragraphs [0141] - [0153], [0216] - [0228], [0234] - [0241]; figures 1-10,49-62  -----	1-5, 10-14, 19,21-23
X	EP 2 517 638 A1 (TYCO HEALTHCARE [US]) 31 October 2012 (2012-10-31)  paragraphs [0092] - [0113], [0127] - [0132], [0152] - [0157]; figures 1,2,10-14,30,31  -----	1-5, 10-14, 19,21-23
X	EP 2 462 880 A2 (TYCO HEALTHCARE [US] COVIDIEN LP [US]) 13 June 2012 (2012-06-13) paragraphs [0055] - [0058]; figures 1-4,6  -----  -/--	1-4,10, 11,13, 14,19-21

Further documents are listed in the continuation of Box C.

See patent family annex.

\* Special categories of cited documents :

- "A" document defining the general state of the art which is not considered to be of particular relevance
- "E" earlier application or patent but published on or after the international filing date
- "L" document which may throw doubts on priority claim(s) or which is cited to establish the publication date of another citation or other special reason (as specified)
- "O" document referring to an oral disclosure, use, exhibition or other means
- "P" document published prior to the international filing date but later than the priority date claimed

"T" later document published after the international filing date or priority date and not in conflict with the application but cited to understand the principle or theory underlying the invention

"X" document of particular relevance; the claimed invention cannot be considered novel or cannot be considered to involve an inventive step when the document is taken alone

"Y" document of particular relevance; the claimed invention cannot be considered to involve an inventive step when the document is combined with one or more other such documents, such combination being obvious to a person skilled in the art

"&" document member of the same patent family

Date of the actual completion of the international search  11 April 2014	Date of mailing of the international search report  24/04/2014
--	--

Name and mailing address of the ISA/ European Patent Office, P.B. 5818 Patentlaan 2 NL - 2280 HV Rijswijk Tel. (+31-70) 340-2040, Fax: (+31-70) 340-3016	Authorized officer  Maier, Christian
--	--

# INTERNATIONAL SEARCH REPORT

International application No  
PCT/US2014/014614

C(Continuation). DOCUMENTS CONSIDERED TO BE RELEVANT		
Category*	Citation of document, with indication, where appropriate, of the relevant passages	Relevant to claim No.
X	US 2012/241492 A1 (SHELTON IV FREDERICK E [US] ET AL) 27 September 2012 (2012-09-27) cited in the application paragraph [0527]; figures 191-202 -----	13,14,21

# INTERNATIONAL SEARCH REPORT

Information on patent family members

International application No PCT/US2014/014614
---

Patent document cited in search report	Publication date	Patent family member(s)	Publication date
US 2009134200	A1	28-05-2009	AU 2009248458 A1 08-07-2010
			CA 2688171 A1 23-06-2010
			EP 2201901 A2 30-06-2010
			EP 2404556 A2 11-01-2012
			EP 2407114 A2 18-01-2012
			JP 2010148879 A 08-07-2010
			US 2009134200 A1 28-05-2009
			US 2011284615 A1 24-11-2011
EP 2517638	A1	31-10-2012	AU 2012201645 A1 15-11-2012
			CA 2773446 A1 29-10-2012
			EP 2517638 A1 31-10-2012
			JP 2012232121 A 29-11-2012
EP 2462880	A2	13-06-2012	AU 2011250822 A1 28-06-2012
			CA 2757630 A1 10-06-2012
			EP 2462880 A2 13-06-2012
			US 2012145767 A1 14-06-2012
US 2012241492	A1	27-09-2012	NONE