

209,755

## HOLDER FOR FOOD BOWL FOR PETS

Tony Robert, 5701 Southwest Freeway,  
Houston, Tex. 77027

Filed May 12, 1967, Ser. No. 7,088

Term of patent 14 years

(Cl. D30—13)

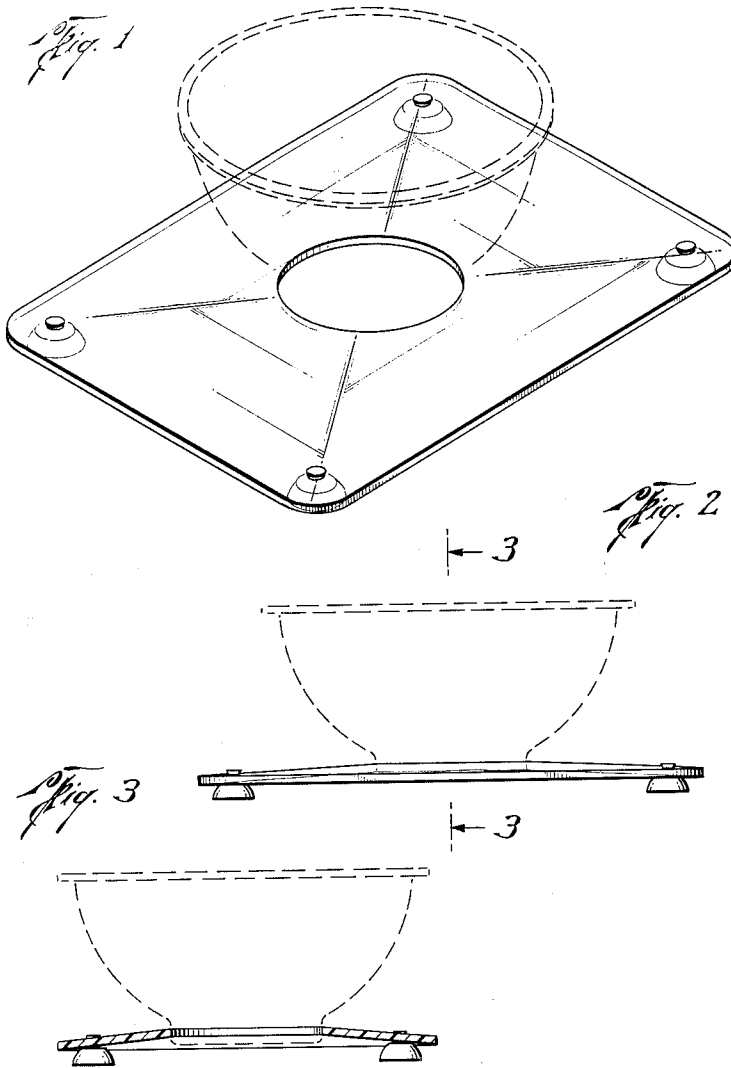


FIGURE 1 is a perspective view of the top and side of a holder for food bowl for pets, showing my new design;

FIGURE 2 is a side view of same; and

FIGURE 3 is a sectional view taken on line 3—3 of FIGURE 2 of the same.

The bowl illustrated in broken lines is shown for illustrative purposes only.

I claim:

The ornamental design for a holder for food bowl for pets, as shown and described.

### References Cited

#### UNITED STATES PATENTS

D. 165,637	1/1952	Detzel	-----	D44—15
3,147,739	9/1964	Shaheen	-----	119—61
2,372,872	4/1945	Wolper	-----	248—146
2,905,414	9/1959	Zierden	-----	248—146

WALLACE R. BURKE, *Primary Examiner.*

JOSEPH COOPERSMITH, *Assistant Examiner.*